



US00D325488S

United States Patent [19]

[11] Patent Number: Des. 325,488

Sheriff

[45] Date of Patent: ** Apr. 21, 1992

[54] **COMBINATION BAR AND BRACKET ASSEMBLY FOR A STORAGE OR DISPLAY RACK**

[76] Inventor: **Richard L. Sheriff**, 239 Allen Ave., West Chicago, Ill. 60185

[**] Term: **14 Years**

[21] Appl. No.: **139,368**

[22] Filed: **Dec. 30, 1987**

[52] U.S. Cl. **D6/566; D6/553; D8/363; D8/373**

[58] Field of Search **D6/548, 552-553, D6/566-567, 569, 571, 572; D8/363, 373, 380; 248/214, 215, 217.1, 220.2-221.2, 274, 176**

[56] **References Cited**

U.S. PATENT DOCUMENTS

D. 115,180	6/1939	Holden	D8/363
D. 243,978	4/1977	Lallement	D8/363
D. 248,730	8/1978	Blann	D8/363
D. 269,233	6/1983	Gerber	D6/566
D. 297,293	8/1988	Fagan	D8/363 X

Primary Examiner—Susan J. Lucas

Assistant Examiner—Brian N. Vinson

Attorney, Agent, or Firm—Neuman, Williams, Anderson & Olson

[57] **CLAIM**

The ornamental design for a combination bar and bracket assembly for a storage or display rack, as shown and described.

DESCRIPTION

FIG. 1 is a top, front, and left side perspective view of a combination bar and bracket assembly for a storage or display rack showing my new design;

FIG. 2 is a left side elevational view of the bar and single bracket portion thereof;

FIG. 3 is a top, front, and left side perspective view of the bar portion thereof, with the rear being identical in

appearance to the front and the other elements omitted for clarity of illustration;

FIG. 4 is a top plan view of the bar portion thereof, the bottom being identical in appearance to that shown;

FIG. 5 is a left side elevational view of the bar portion thereof, with the right side being identical in appearance to that shown;

FIG. 6 is a top plan view of the single bracket portion thereof with the other elements omitted for clarity of illustration;

FIG. 7 is a left side elevational view of the signal bracket portion thereof, the right side being a mirror image of that shown;

FIG. 8 is a bottom plan view of the single bracket portion thereof;

FIG. 9 is a front elevational view of the single bracket portion thereof;

FIG. 10 is a rear elevational view of the single bracket portion thereof;

FIG. 11 is a left side elevational view of the double bracket portion thereof, with the right side being a mirror image of that shown and the other elements omitted for clarity of illustration;

FIG. 12 is a top plan view of the double bracket portion thereof;

FIG. 13 is a bottom plan view of the double bracket portion thereof;

FIG. 14 is a front elevational view of the double bracket portion thereof;

FIG. 15 is a rear elevational view of the double bracket portion thereof;

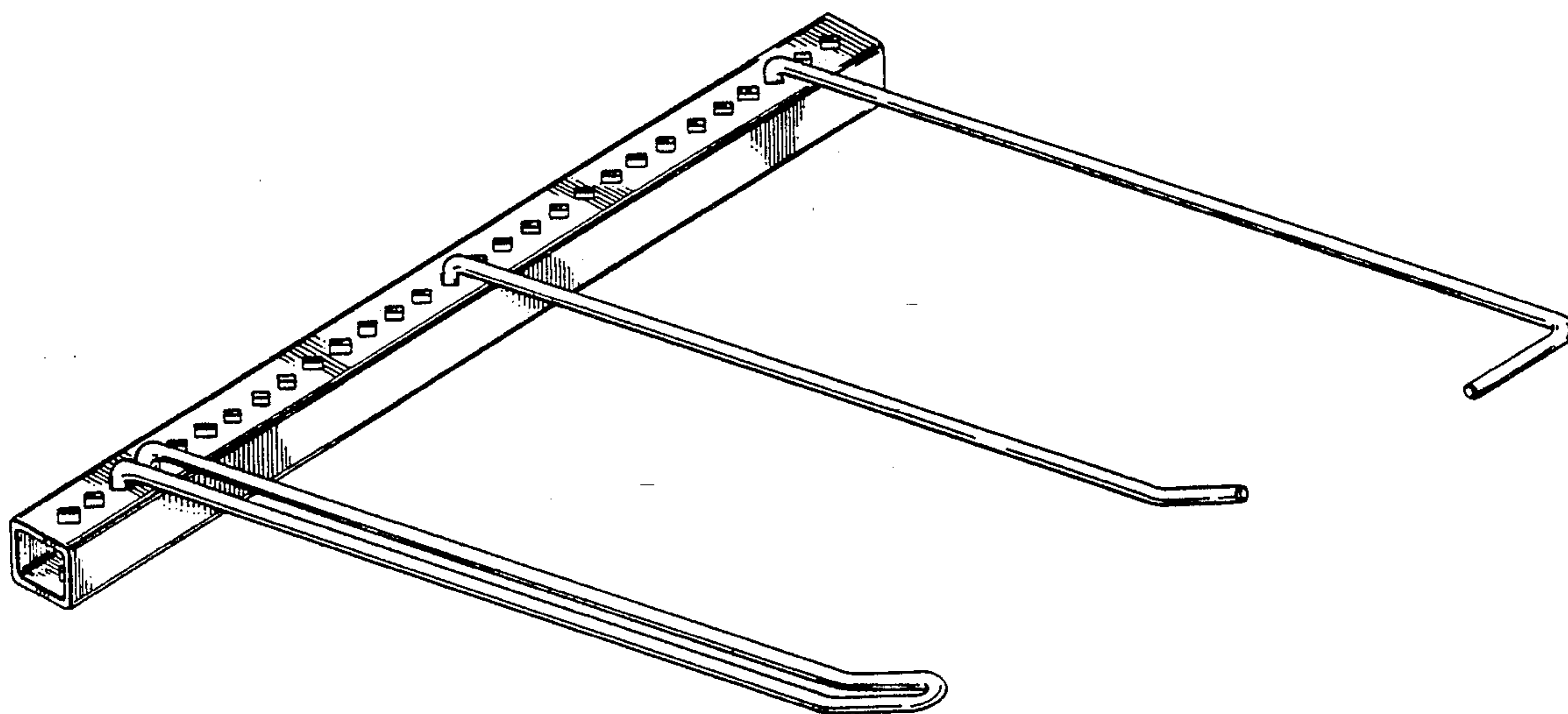
FIG. 16 is a left side elevational view of the price channel holder portion thereof with the other elements omitted for clarity of illustration;

FIG. 17 is a top plan view of the price channel holder portion thereof;

FIG. 18 is a bottom plan view of the price channel holder portion thereof;

FIG. 19 is a front elevational view of the price channel holder portion thereof; and,

FIG. 20 is a rear elevational view of the price channel holder portion thereof.



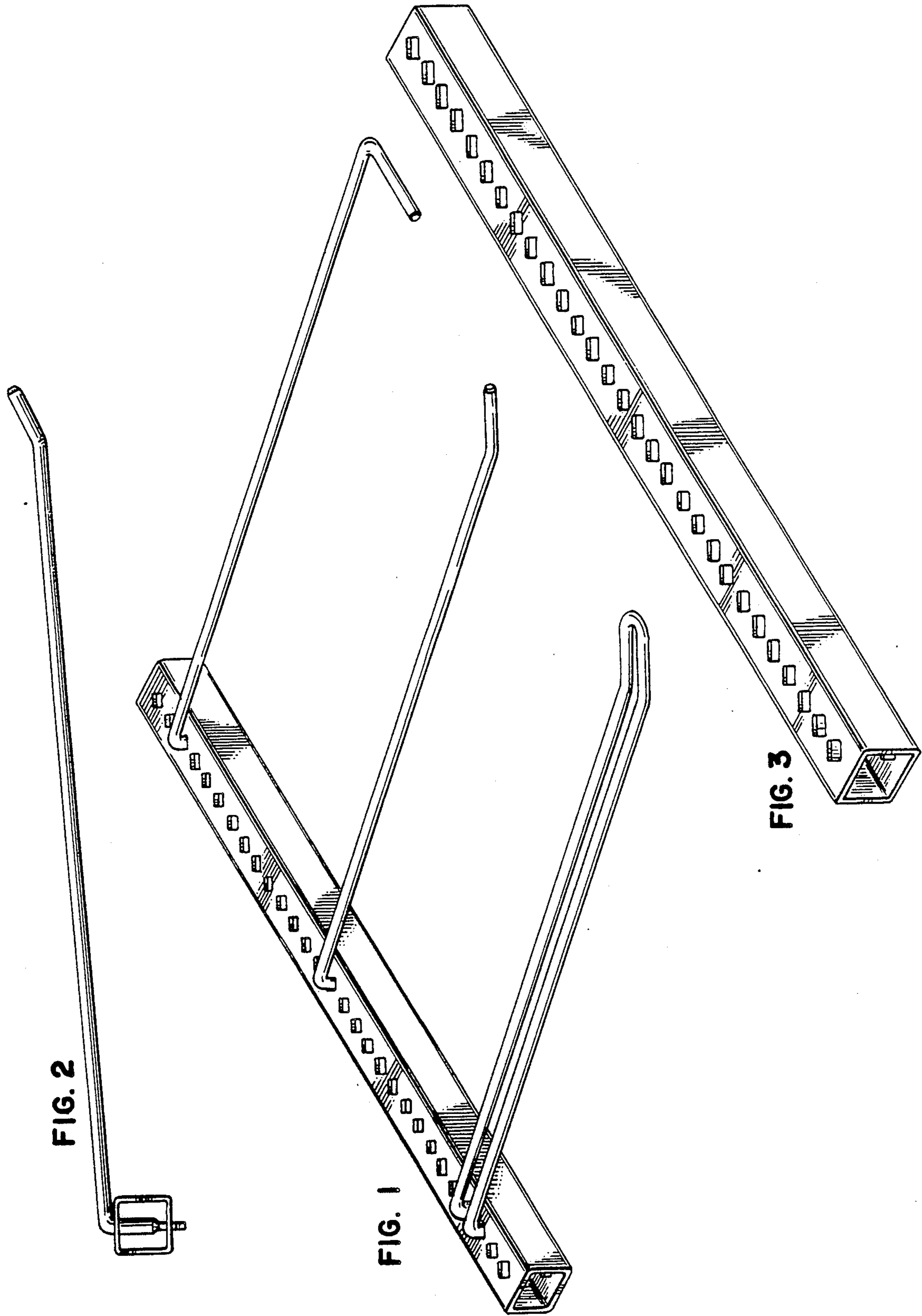


FIG. 2

FIG. 1

FIG. 3

FIG. 4

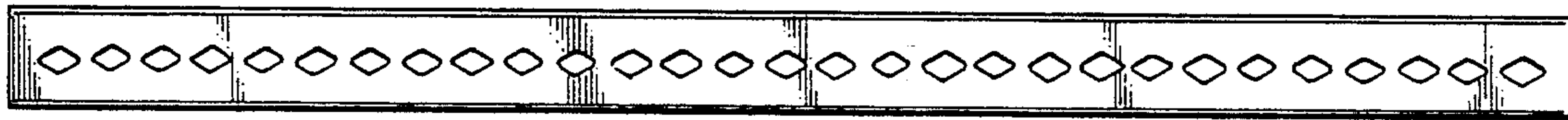


FIG. 5



FIG. 6



FIG. 7

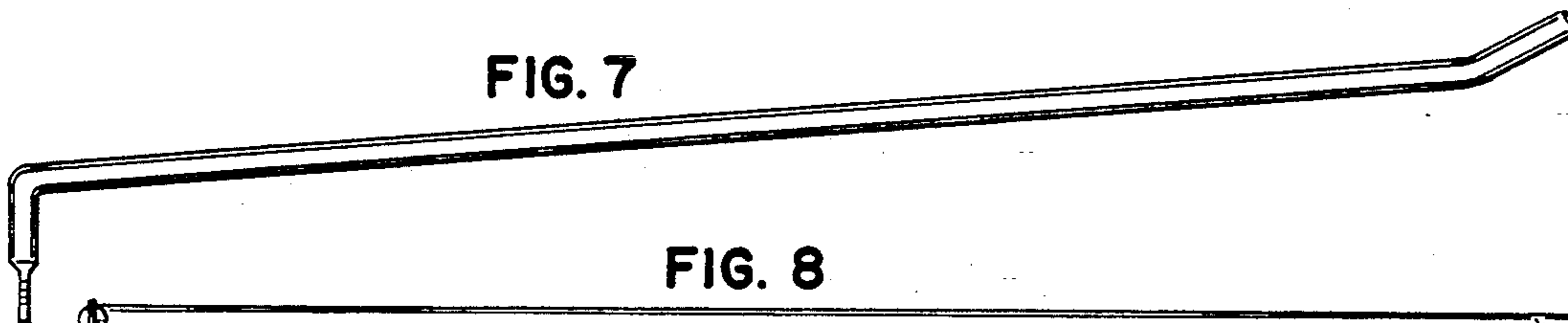


FIG. 8

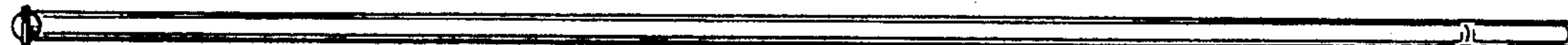


FIG. 14

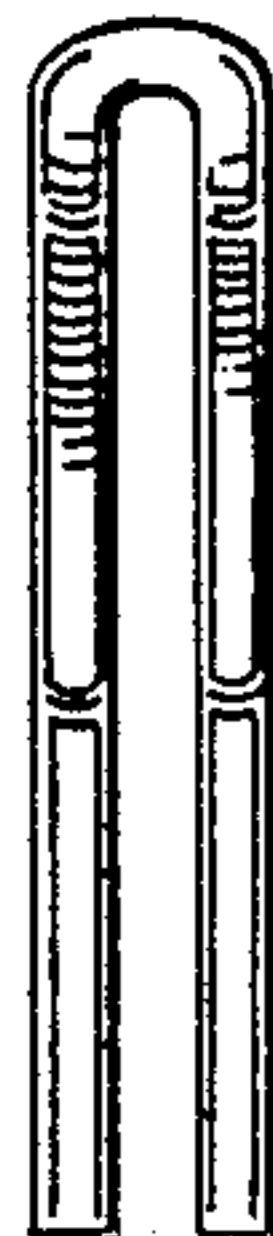


FIG. 15



FIG. 9



FIG. 10



FIG. 11

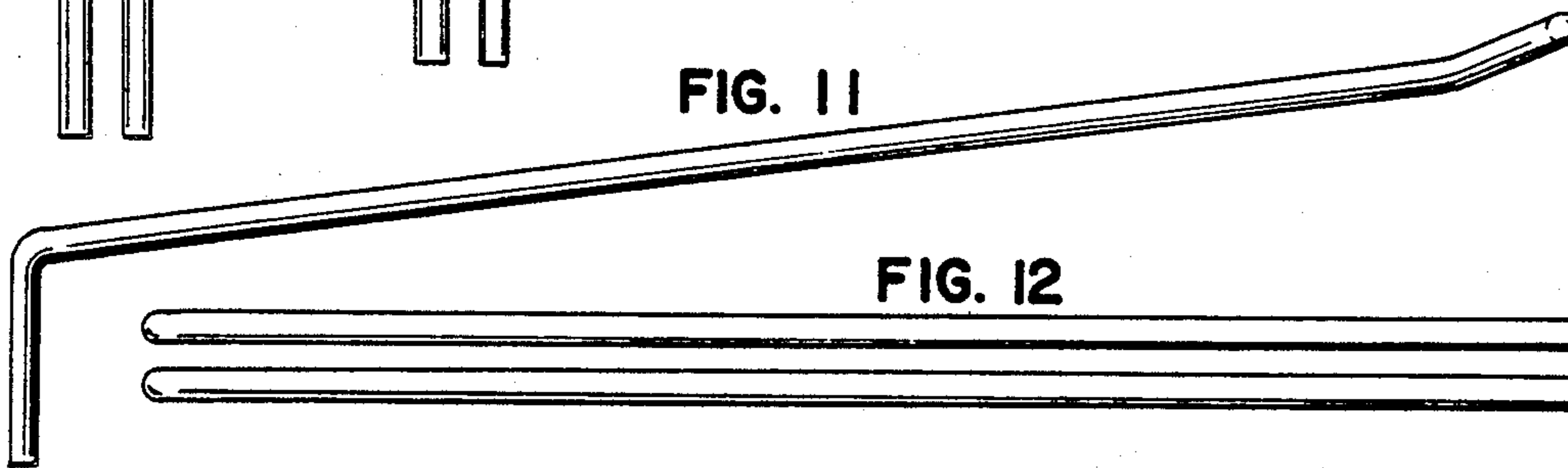


FIG. 12



FIG. 13



