



US00D325485S

United States Patent [19]

[11] Patent Number: Des. 325,485

Diem

[45] Date of Patent: ** Apr. 21, 1992

[54] SNEEZE GUARD

4,892,366 1/1990 Yerman 312/140.4

[75] Inventor: Paul S. Diem, Ballwin, Mo.

Primary Examiner—Bruce W. Dunkins

[73] Assignee: Shure Manufacturing Corp., St. Louis, Mo.

Assistant Examiner—Janice E. Seeger

Attorney, Agent, or Firm—Polster, Lieder, Woodruff & Lucchesi

[**] Term: 14 Years

[57] CLAIM

[21] Appl. No.: 279,143

The ornamental design for a sneeze guard, as shown and described.

[22] Filed: Dec. 2, 1988

[52] U.S. Cl. D6/491; D6/481; D6/511

DESCRIPTION

[58] Field of Search D6/491, 481; 312/140.1, 312/140.4

FIG. 1 is a perspective view of a sneeze guard, showing my new design, the broken lines are for illustrative purposes only;

[56] References Cited

U.S. PATENT DOCUMENTS

| | | | |
|------------|--------|--------------------------|-------------|
| D. 169,447 | 4/1953 | Labrise | D6/580 |
| D. 300,591 | 4/1989 | Marchais | D6/481 |
| D. 308,686 | 6/1990 | Frost et al. | D6/481 X |
| D. 309,540 | 7/1990 | Suttles et al. | D6/491 |
| 3,026,162 | 3/1962 | Waszkiewicz | 312/140.4 |
| 4,013,880 | 3/1977 | Kennedy, Jr. et al. | 312/140.4 X |
| 4,852,954 | 8/1989 | Brown et al. | 312/140.4 |

FIG. 2 is a perspective view;

FIG. 3 is a left side elevational view;

FIG. 4 is a right side elevational view;

FIG. 5 is a top plan view;

FIG. 6 is a front elevational view;

FIG. 7 is a bottom plan view; and,

FIG. 8 is a rear elevational view.

FIGS. 2-8 have been drawn on an enlarged scale with respect to FIG. 1.

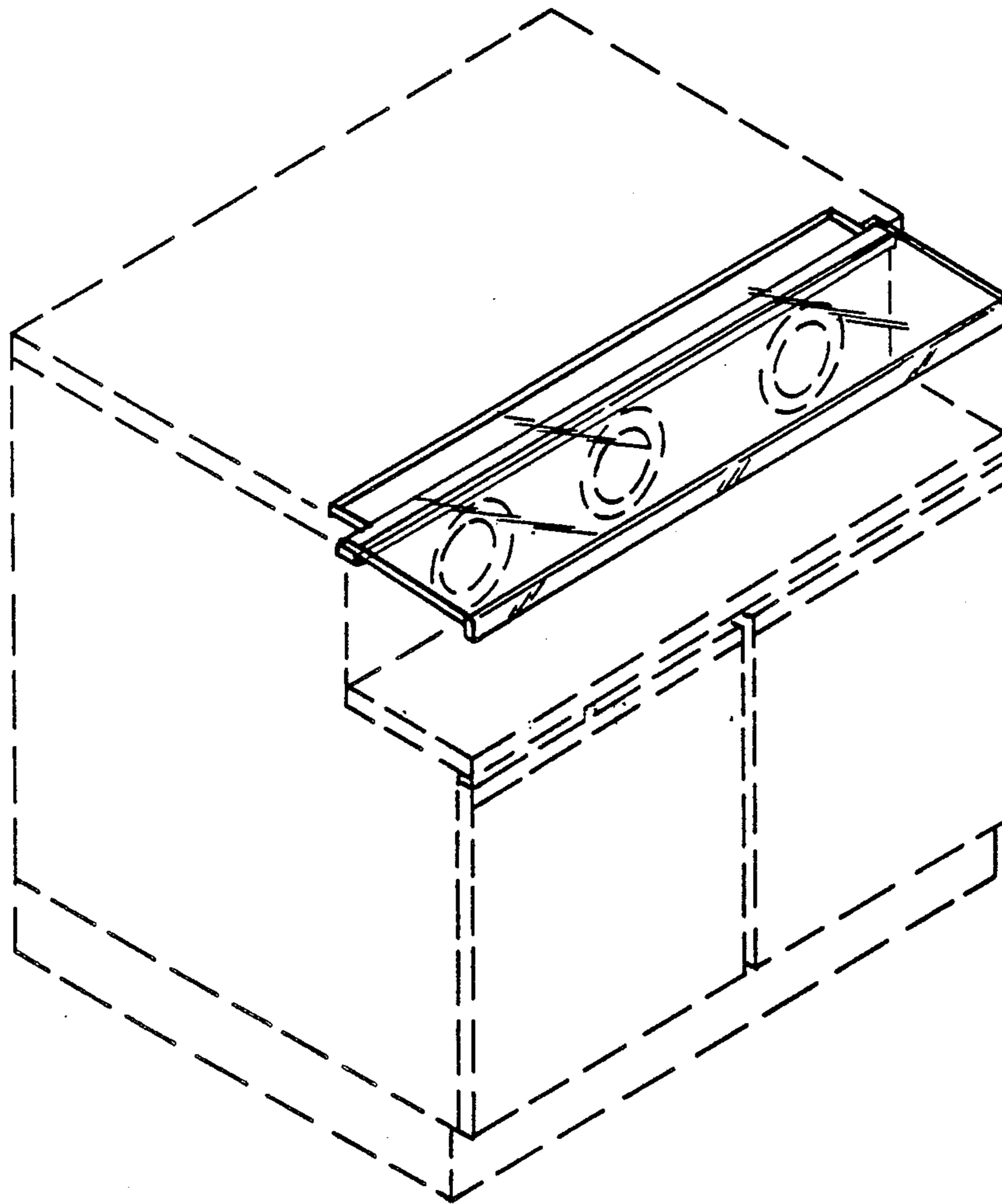


FIG. 1.

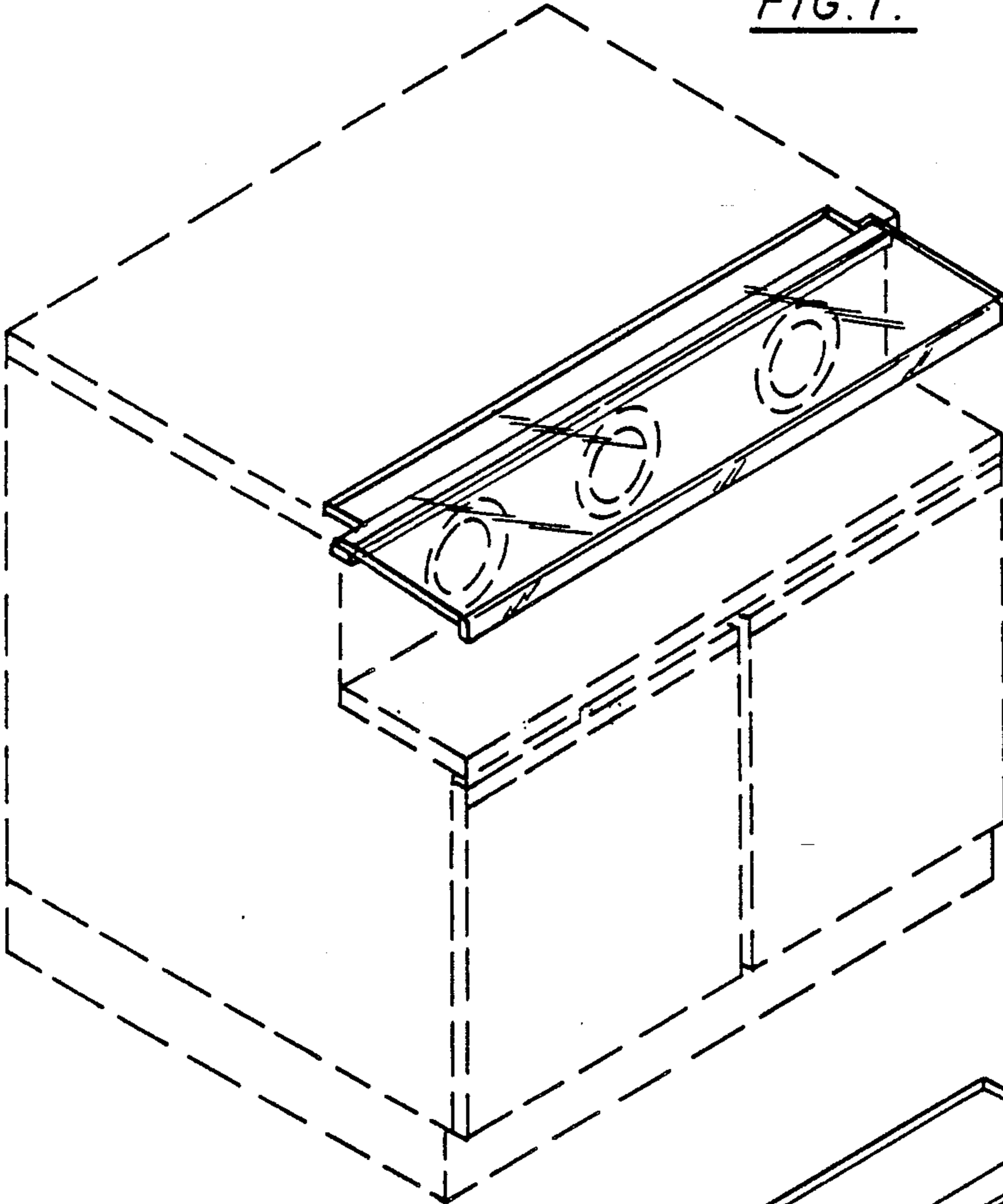


FIG. 2.

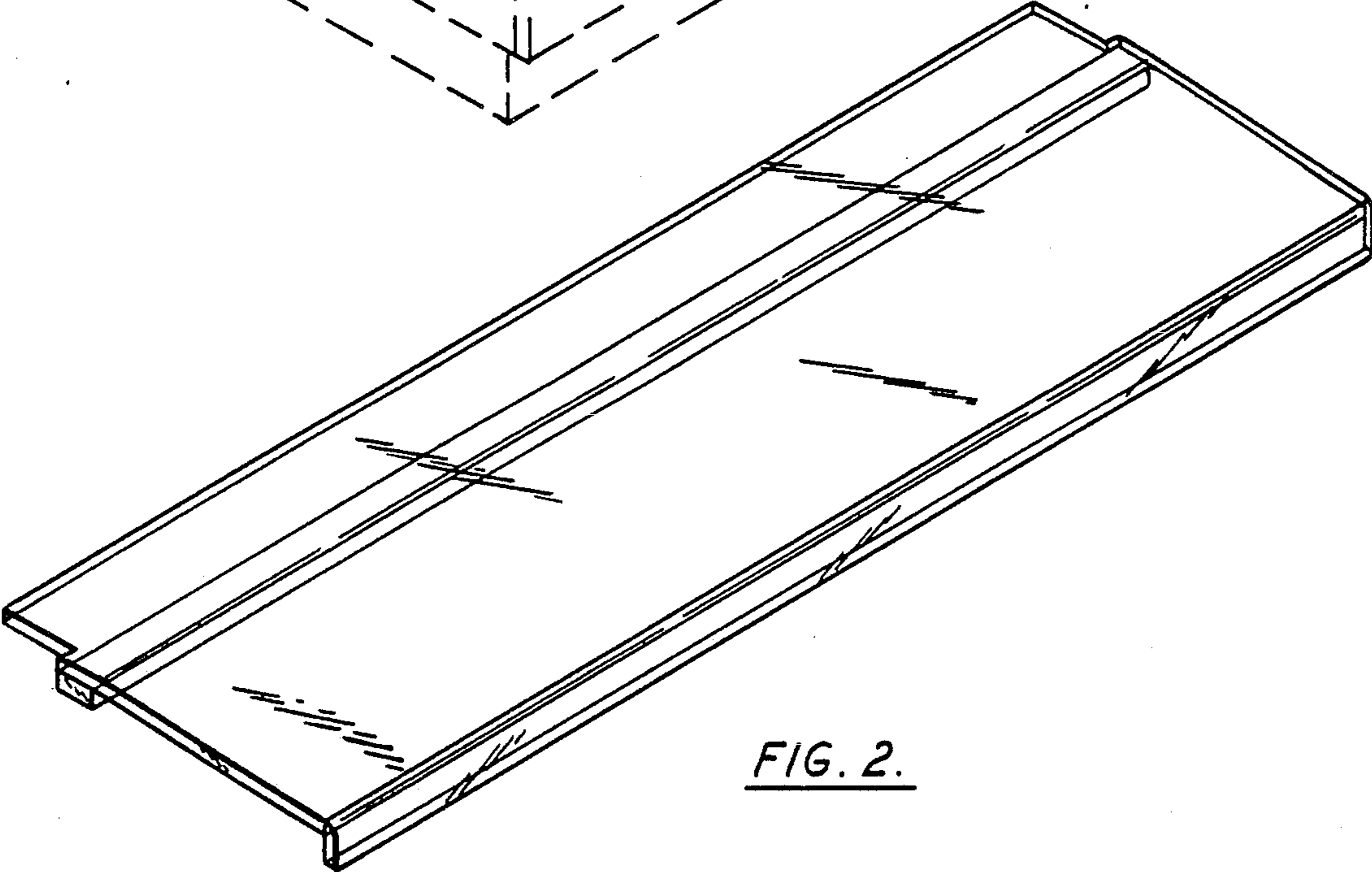


FIG. 5.

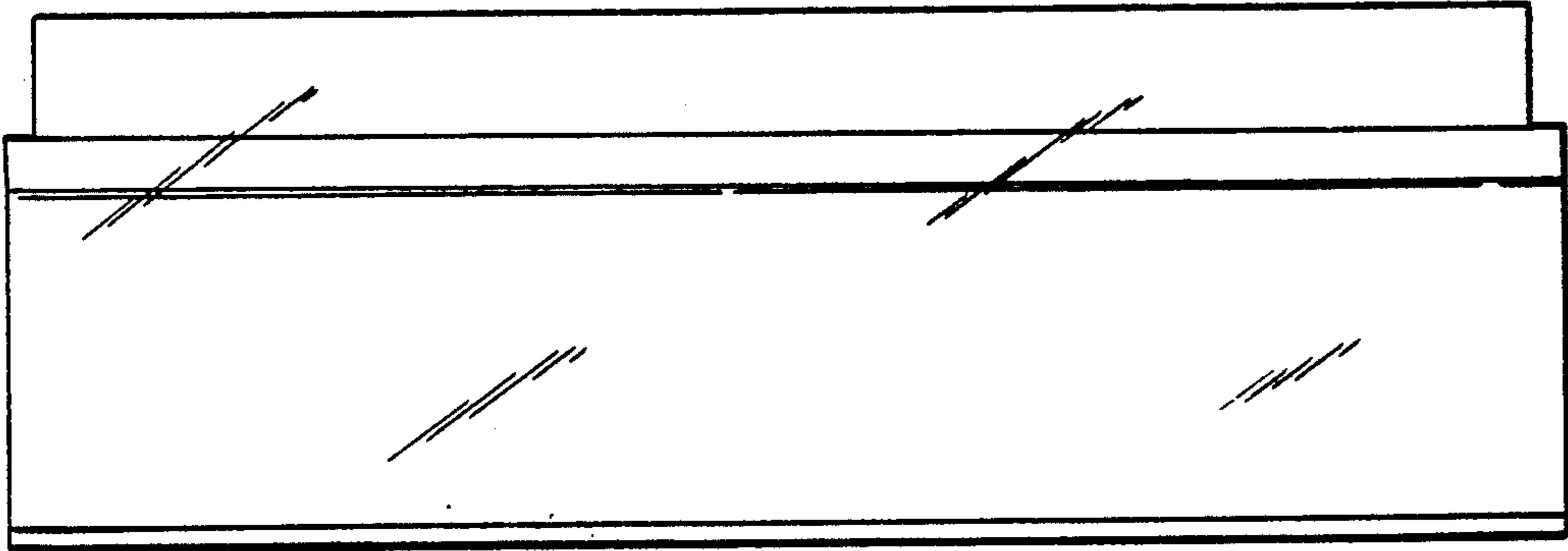


FIG. 6.

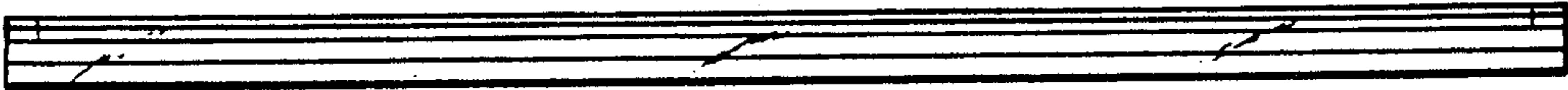


FIG. 7.

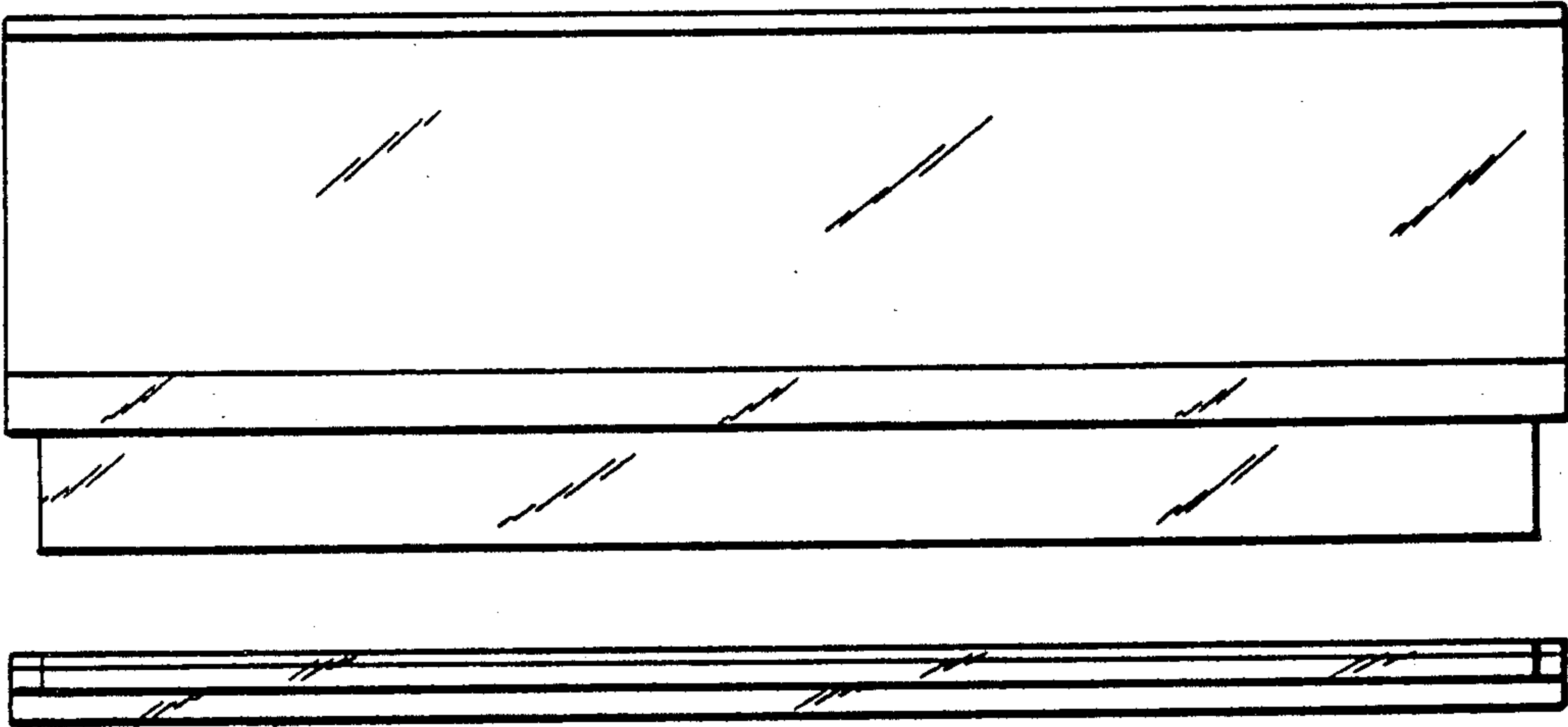


FIG. 8.

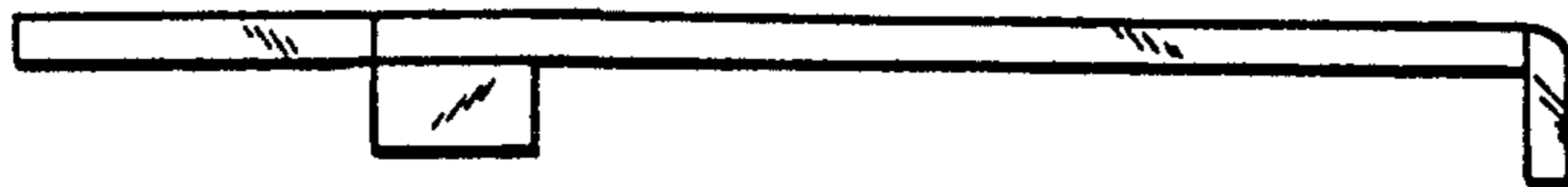


FIG. 3.

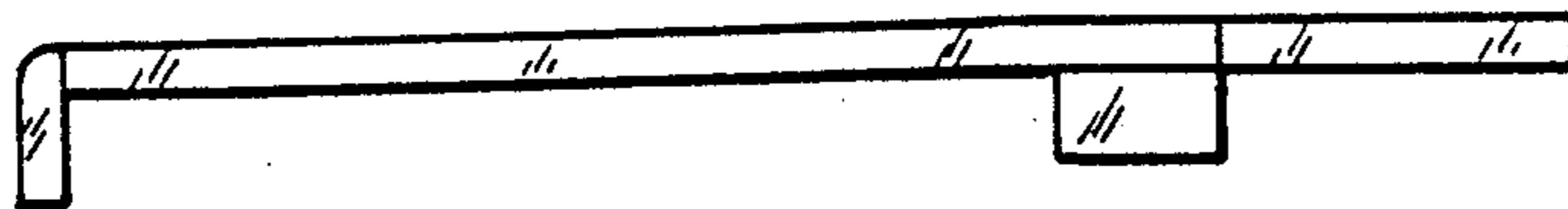


FIG. 4.