



US00D325484S

United States Patent [19]

[11] Patent Number: **Des. 325,484**

Lewis

[45] Date of Patent: **** Apr. 21, 1992**

[54] **CONSOLE TABLE**

[76] Inventor: **Sally S. Lewis**, 8950 St. Ives Dr., Los Angeles, Calif. 90069

[**] Term: **14 Years**

[21] Appl. No.: **383,347**

[22] Filed: **Jul. 20, 1989**

[52] U.S. Cl. **D6/484; D6/451**

[58] Field of Search **D6/480, 482-489, D6/429-431, 449-453**

OTHER PUBLICATIONS

Thomasville Catalog, p. 4, C-51 Box in Design Lib., Chesterfield Table at top.

Heritage Old World, ©1982, p. 20 C-27 Box in Design Lib., Table at bottom of page.

Primary Examiner—Bruce W. Dunkins

Assistant Examiner—Janice E. Seeger

Attorney, Agent, or Firm—Charles H. Schwartz; Ellsworth R. Roston

[57] **CLAIM**

The ornamental design for a console table, as shown and described.

DESCRIPTION

FIG. 1 is a perspective view of a console table showing my new design;

FIG. 2 is a side elevational view, the opposite side being identical thereto; and,

FIG. 3 is an end elevational view, the opposite end being identical thereto.

[56] **References Cited**

U.S. PATENT DOCUMENTS

- D. 41,901 11/1911 Mooney D6/480 X
- D. 154,413 7/1949 Meucci D6/451
- D. 255,074 5/1980 Adkinson D6/488
- D. 291,950 9/1987 Keller D6/484 X

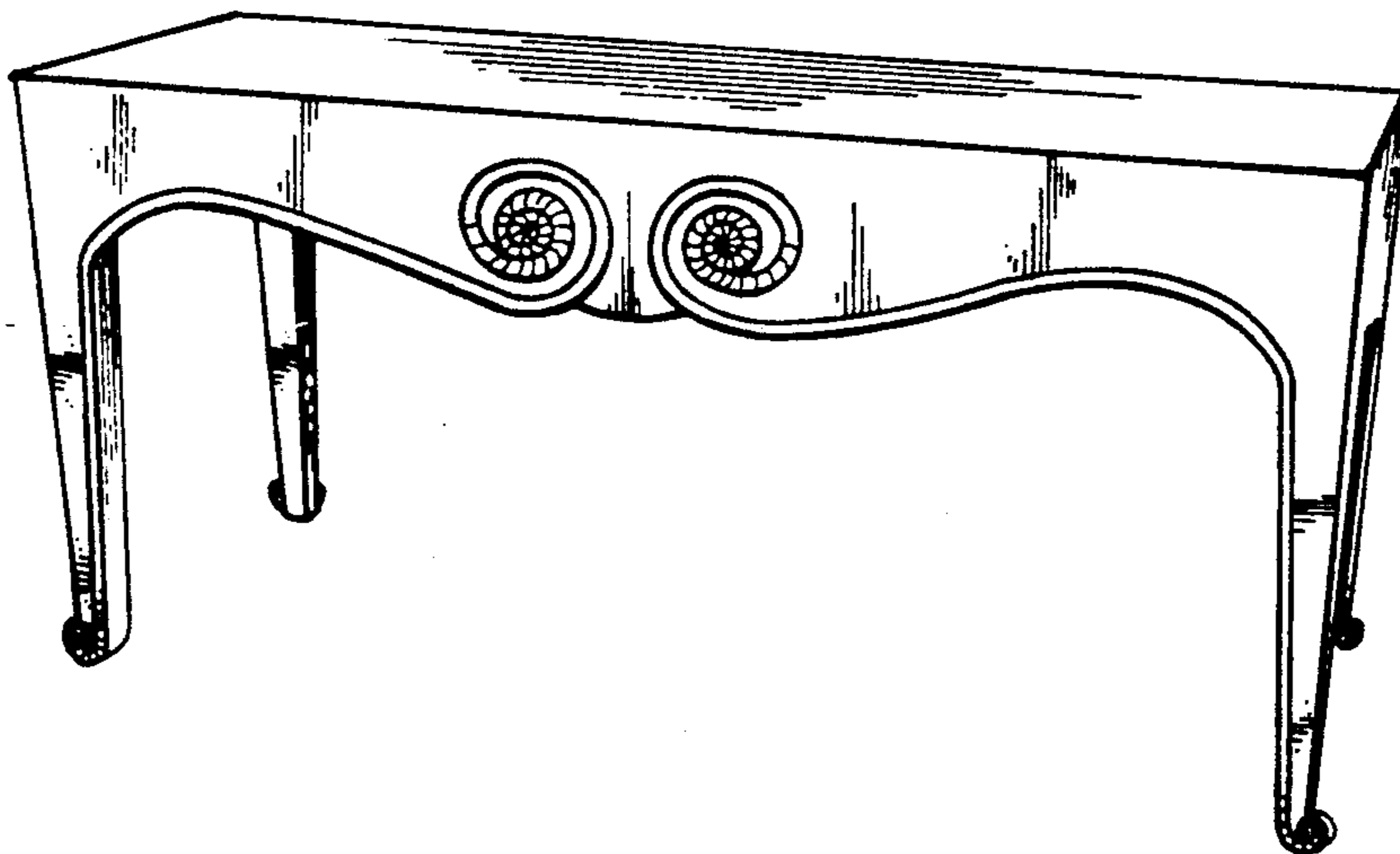


FIG. 1

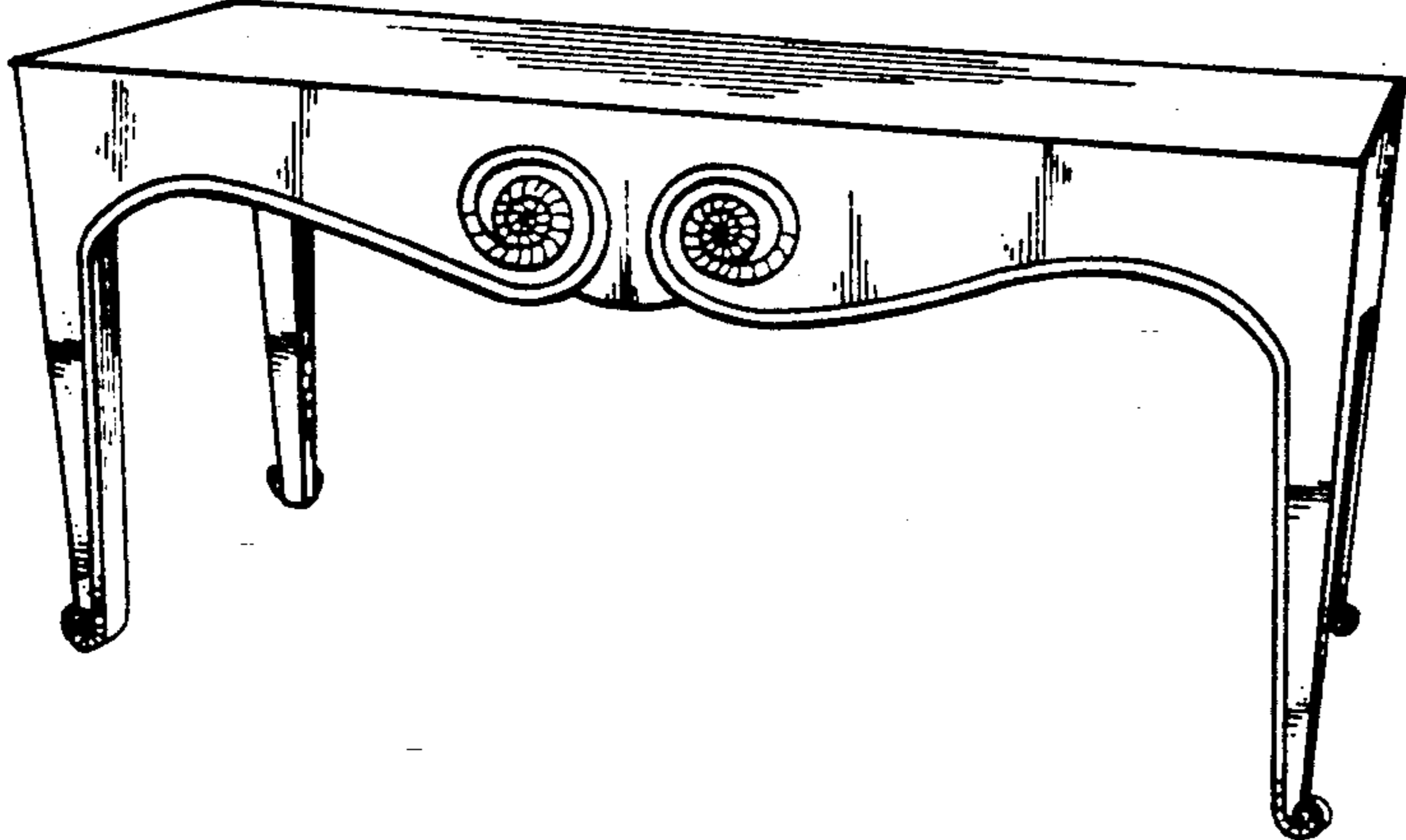


FIG. 2

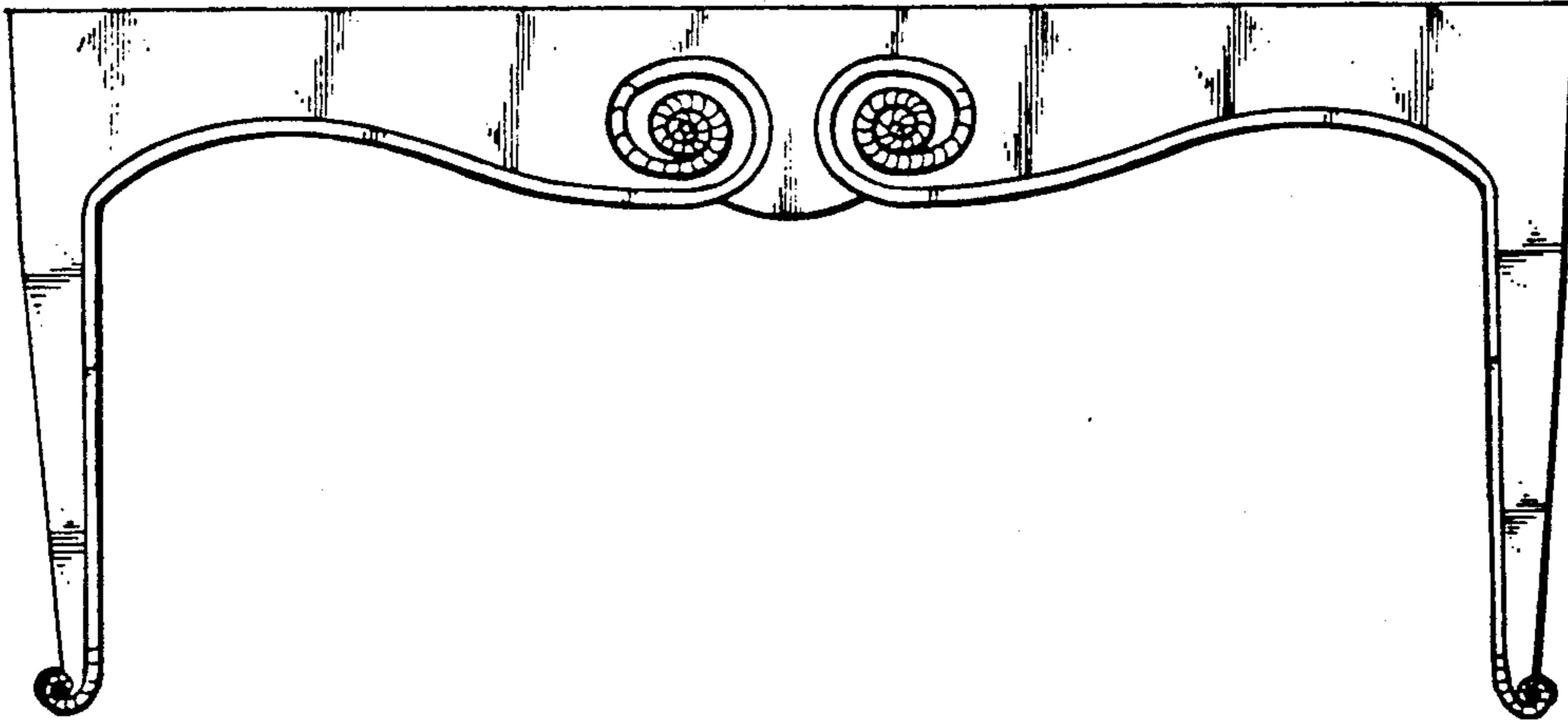


FIG. 3

