



US00D325483S

United States Patent [19] Muhlack

[11] Patent Number: Des. 325,483
[45] Date of Patent: ** Apr. 21, 1992

- [54] DISPLAY CASE
- [75] Inventor: Horst Muhlack, Kiel, Fed. Rep. of Germany
- [73] Assignee: Muhlack Kiel GmbH, Kiel, Fed. Rep. of Germany
- [**] Term: 14 Years
- [21] Appl. No.: 355,390
- [22] Filed: May 22, 1989
- [52] U.S. Cl. D6/472; D7/501
- [58] Field of Search D6/472, 471, 470, 429-431, D6/455, 457-461, 481; D7/325, 501; 312/112, 114, 284; 62/255

3,951,079 4/1976 Tolleson D7/501 X
4,920,760 5/1990 Muhlack 62/255

FOREIGN PATENT DOCUMENTS

1294260 4/1962 France 312/284

Primary Examiner—Bruce W. Dunkins
Assistant Examiner—Jeffrey Asch
Attorney, Agent, or Firm—Peter K. Kontler

[57] CLAIM

The ornamental design of a display case, as shown and described.

DESCRIPTION

FIG. 1 is a front perspective view of a display case embodying my new design;
FIG. 2 is a front perspective view thereof, with the dome shown in raised position;
FIG. 3 is a rear elevational view thereof;
FIG. 4 is a left side elevational view, the right side being a mirror image thereof;
FIG. 5 is a top plan view thereof; and,
FIG. 6 is a bottom plan view thereof.
FIGS. 3-6 have been shown on a reduced scale with respect to FIG. 1.

[56] References Cited U.S. PATENT DOCUMENTS

- D. 39,210 3/1908 Heimann D6/472 X
- D. 119,408 3/1940 Teach D6/470 X
- D. 206,509 12/1966 Kimler D6/470 X
- D. 280,062 8/1985 Cesaroni D7/325
- D. 317,838 7/1991 Millet et al. D6/472
- 1,452,558 4/1923 Jackson 312/284 X
- 3,139,189 6/1964 Kolarik D7/501 X

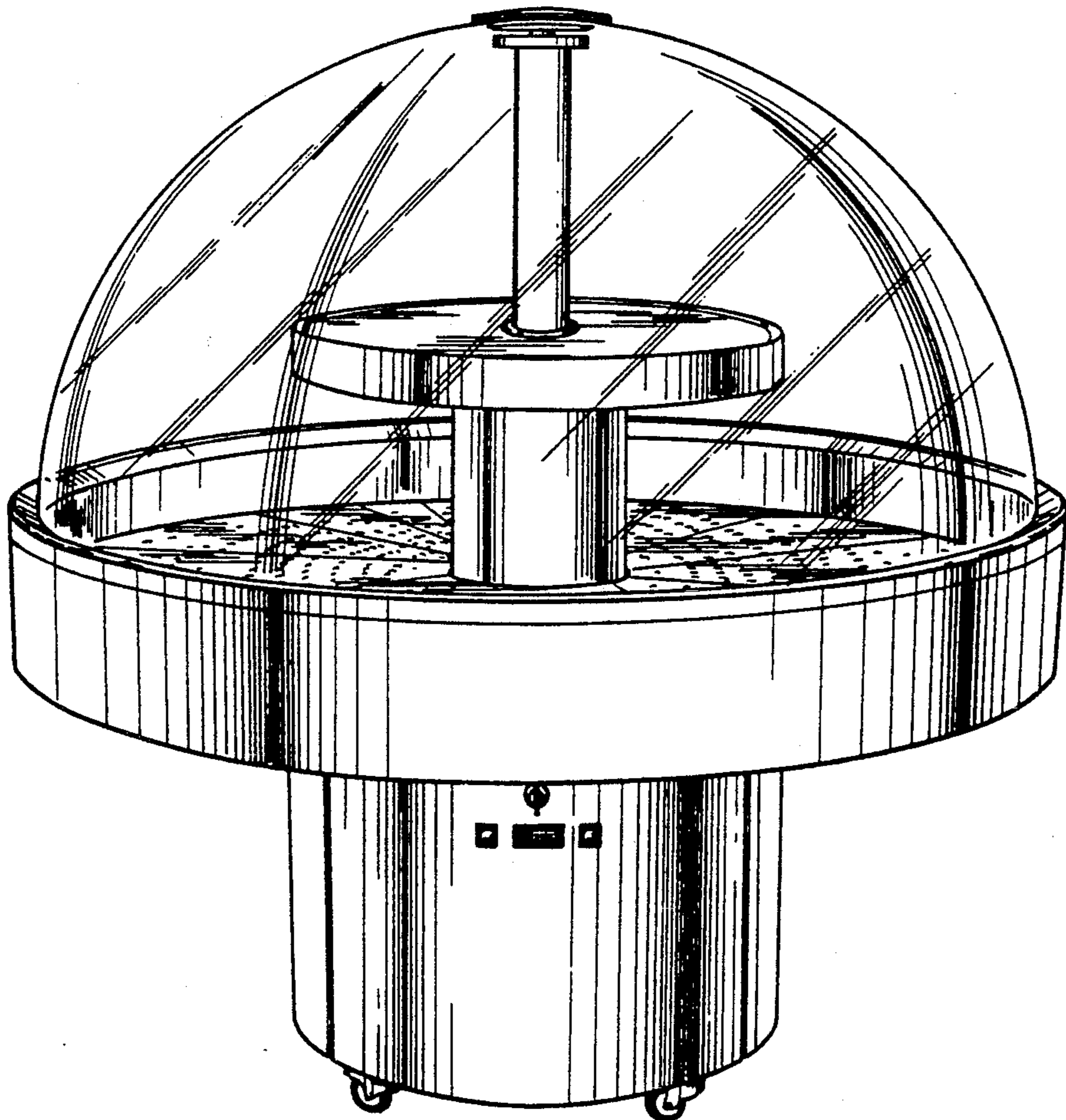


Fig. 1

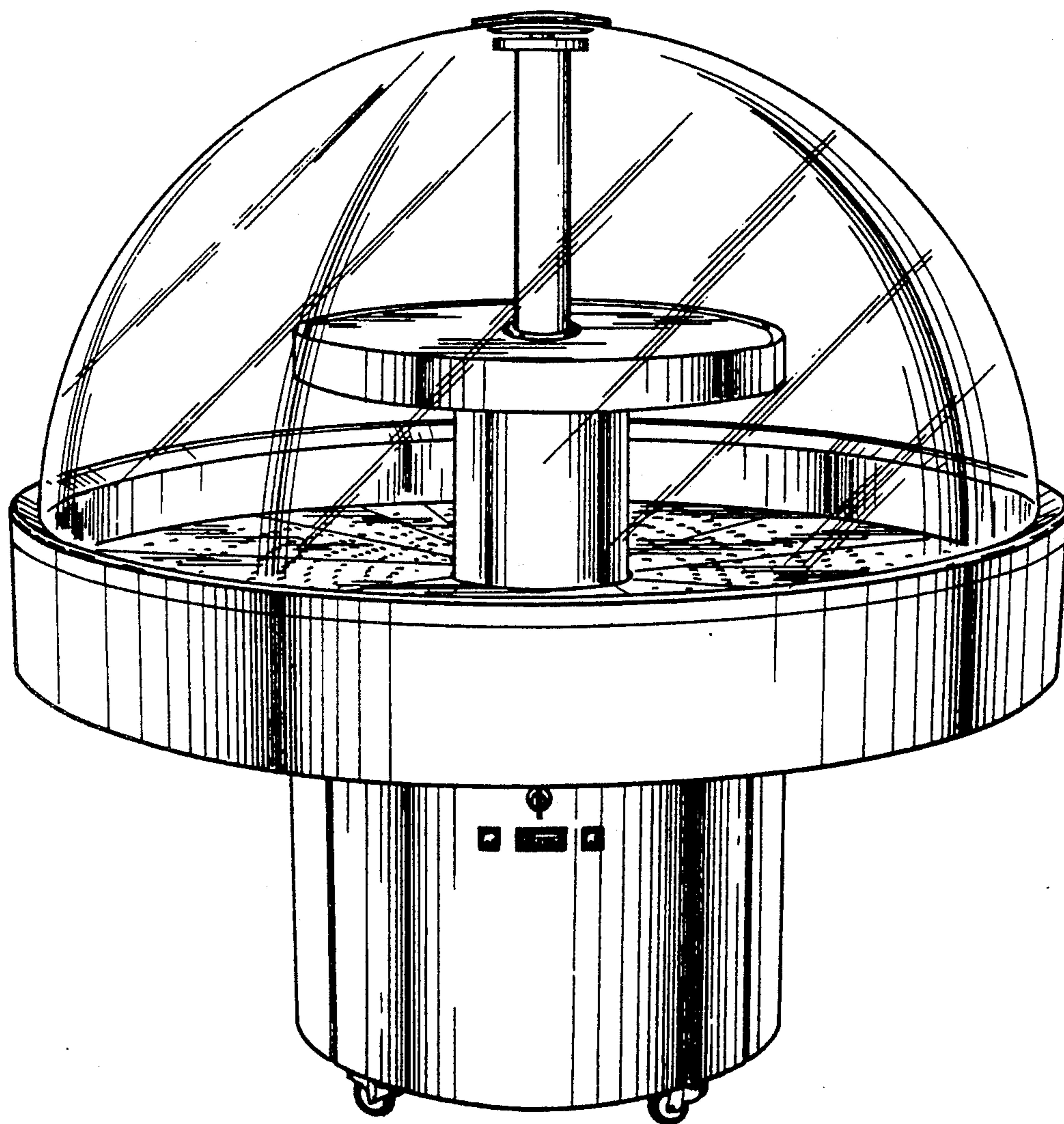


Fig. 2

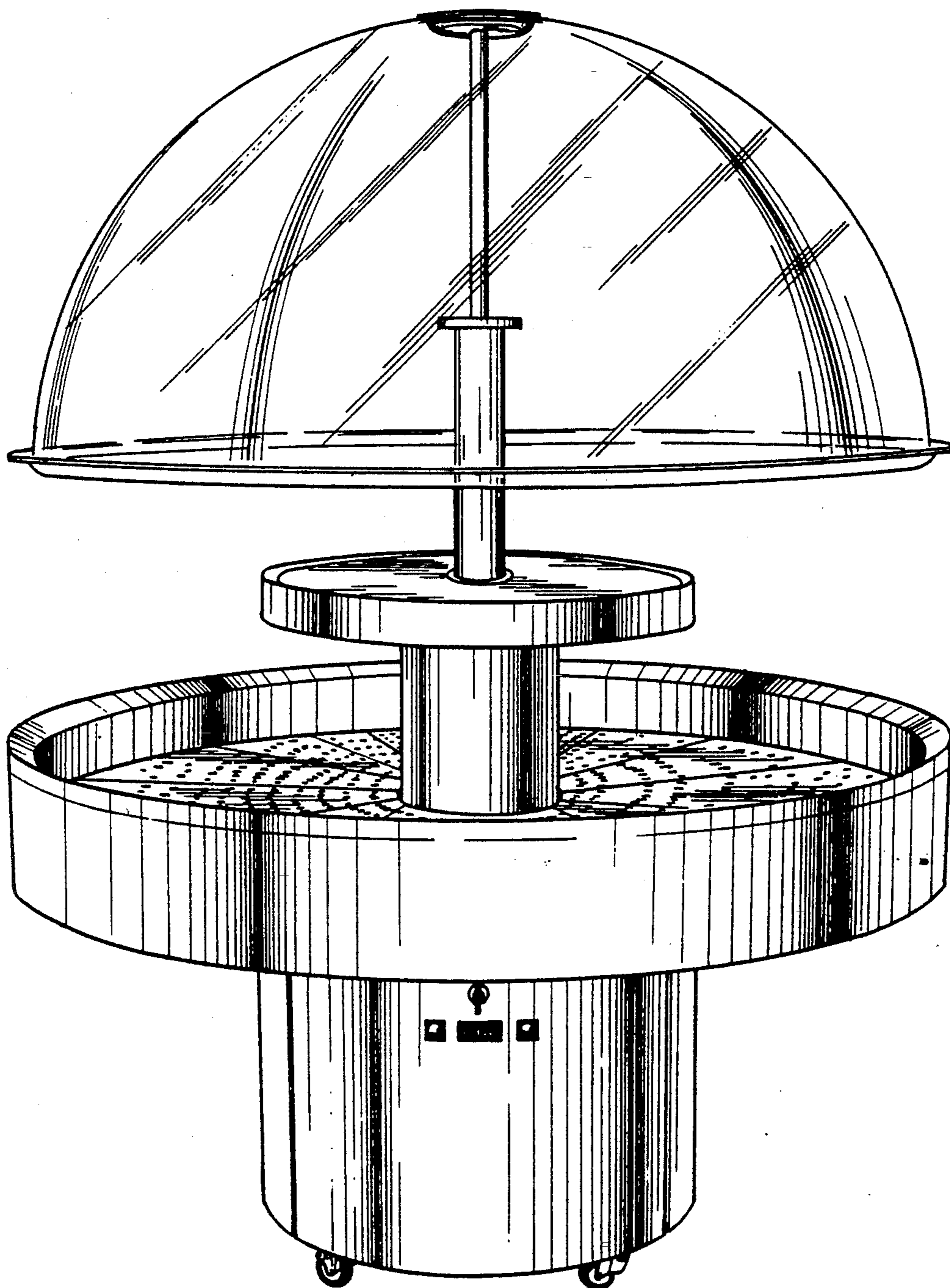


Fig. 3

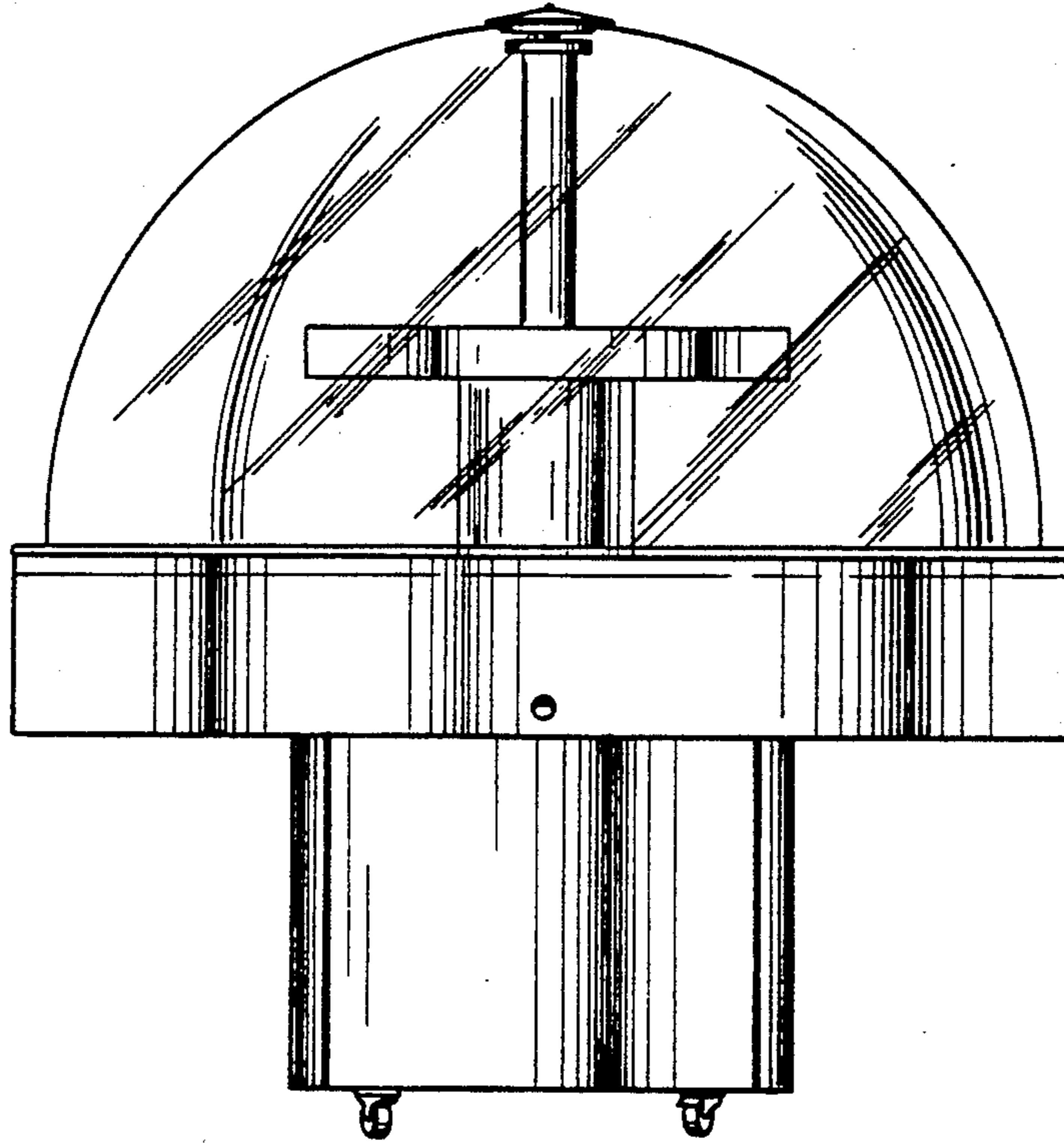


Fig. 4

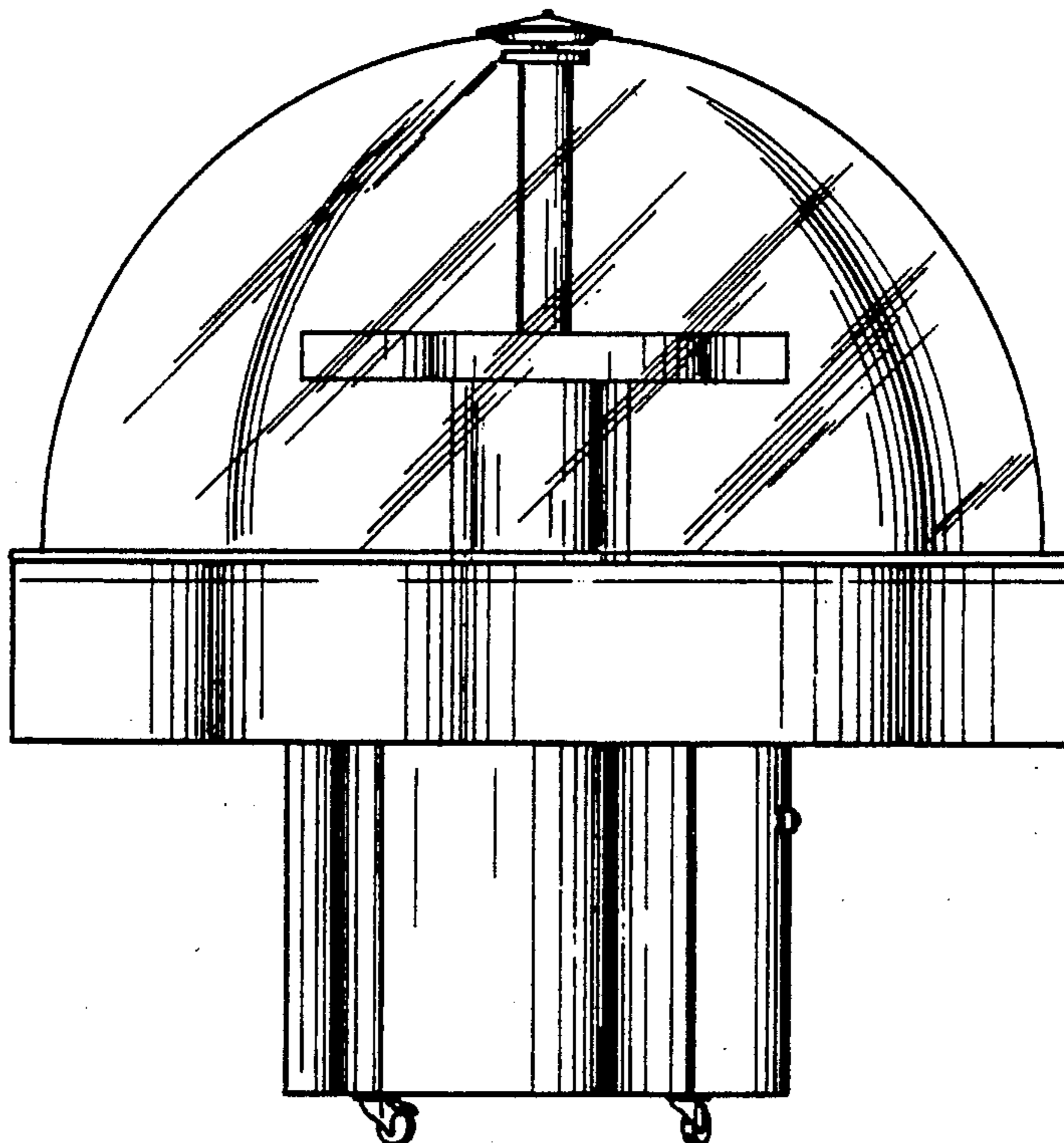


Fig. 5

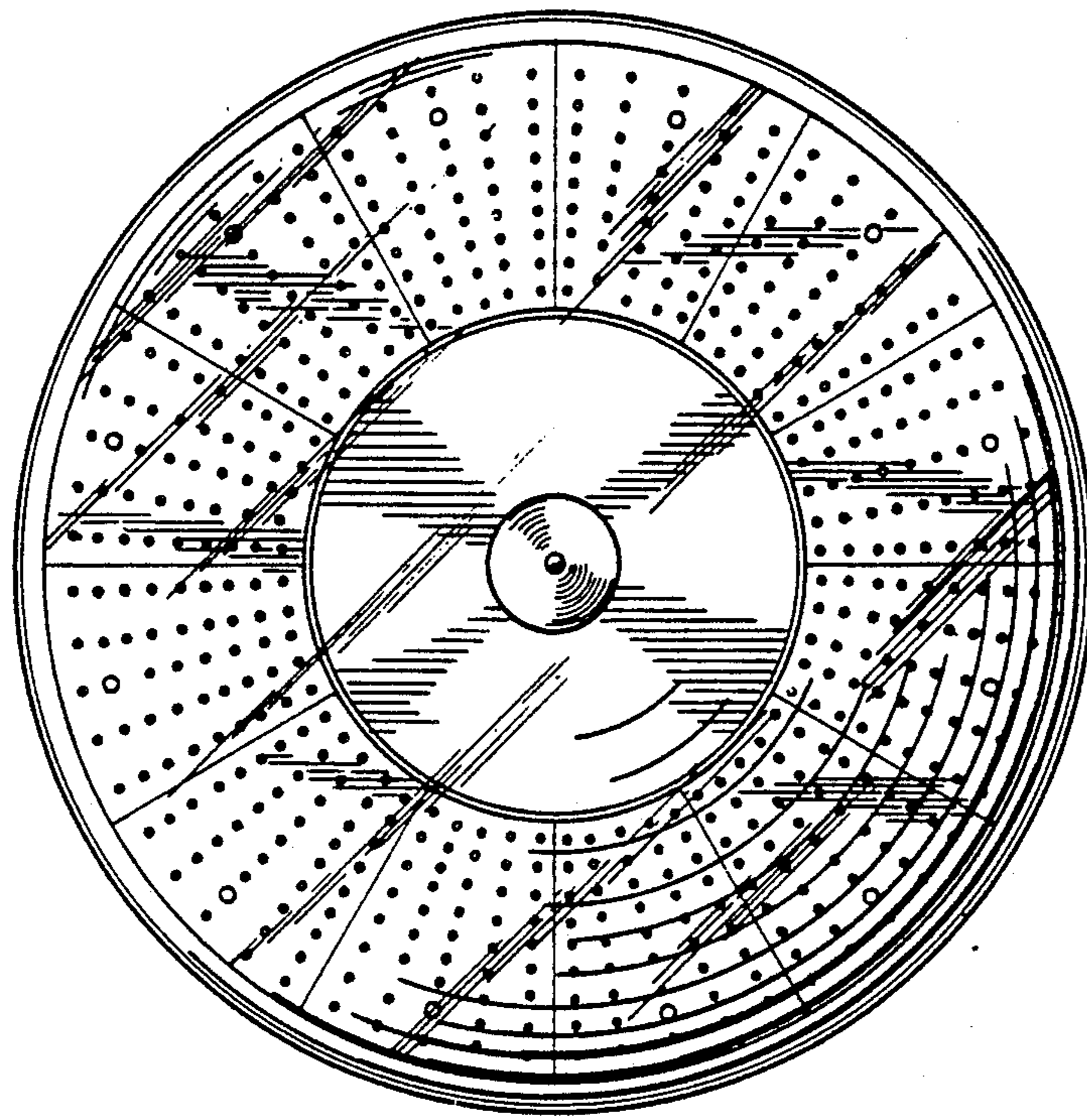


Fig. 6

