



US00D325479S

United States Patent [19]
Barfield

[11] **Patent Number: Des. 325,479**
[45] **Date of Patent: ** Apr. 21, 1992**

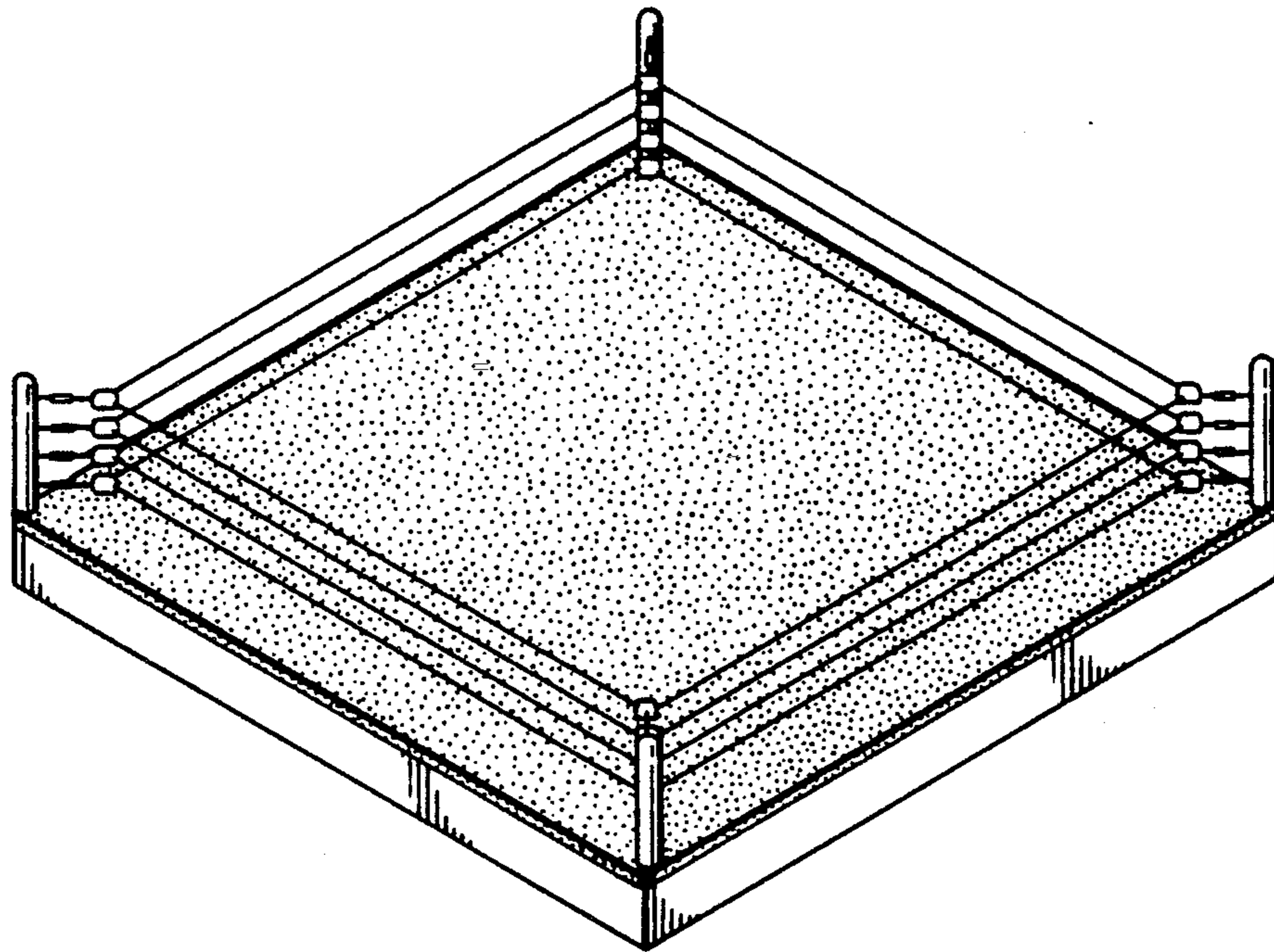
[54] **BOXING RING INSERT FOR A TABLE**
[76] **Inventor: Jesse Barfield, 4208 Canterwood Dr., Houston, Tex. 77068**
[**] **Term: 14 Years**
[21] **Appl. No.: 395,403**
[22] **Filed: Aug. 17, 1989**
[52] **U.S. Cl. D6/450; D21/27**
[58] **Field of Search D6/399, 451, 470, 491, D6/493; D21/14-36; 273/236-285**

[56] **References Cited**
U.S. PATENT DOCUMENTS
D. 254,202 2/1980 Kasas et al. D21/27

Primary Examiner—Bernard Ansher
Assistant Examiner—Sandra Morris
Attorney, Agent, or Firm—Pravel, Gambrell, Hewitt, Kimball & Krieger

[57] **CLAIM**
The ornamental design for a boxing ring insert for a table, as shown and described.

DESCRIPTION
FIG. 1 is a perspective view of a boxing ring insert for a table, showing my new design; and, FIG. 2 is a bottom perspective view thereof. The broken line showing of the top of a table having a recessed portion is for illustrative purposes only, and forms no part of the claimed design.



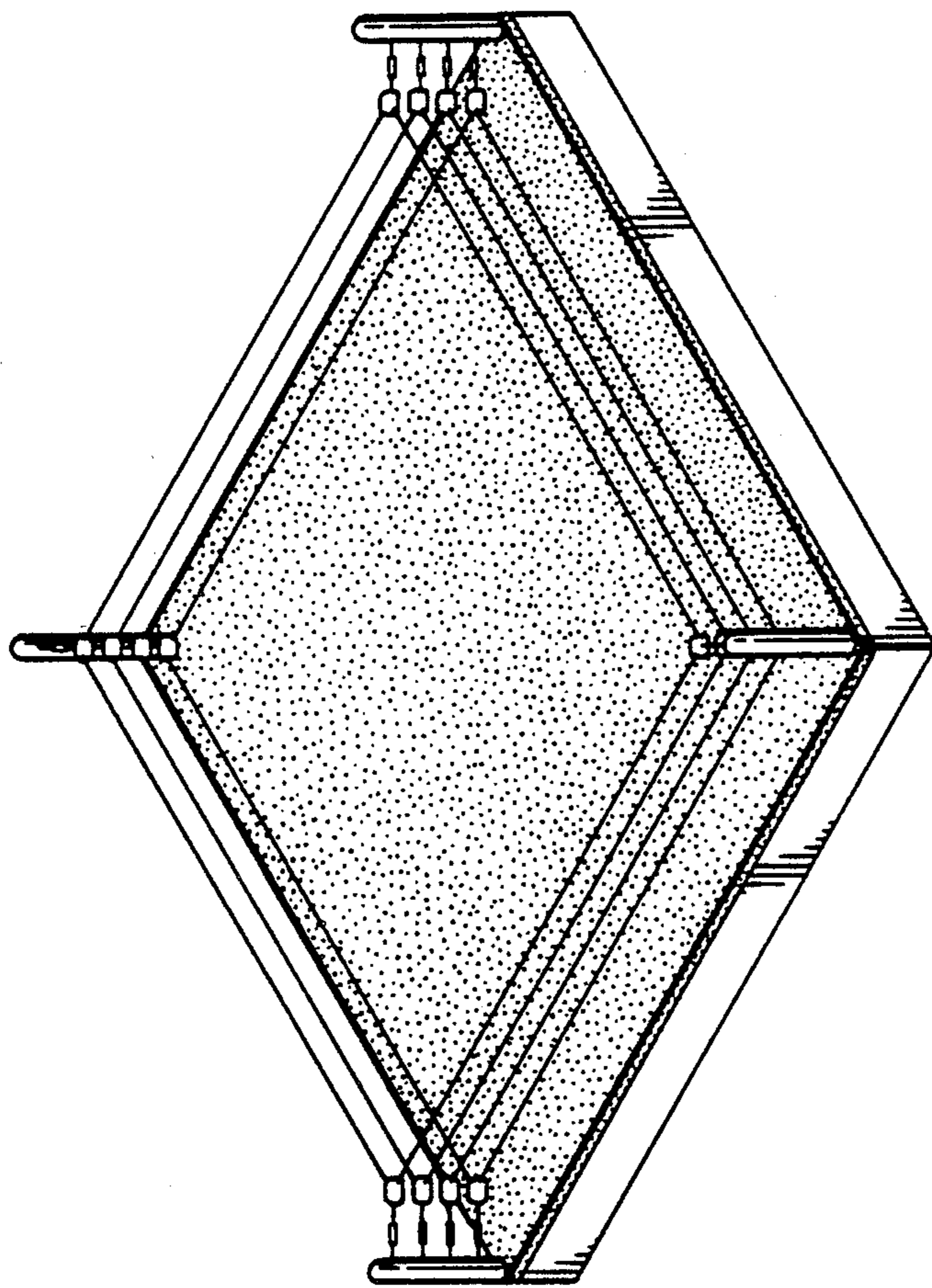


FIG. 1

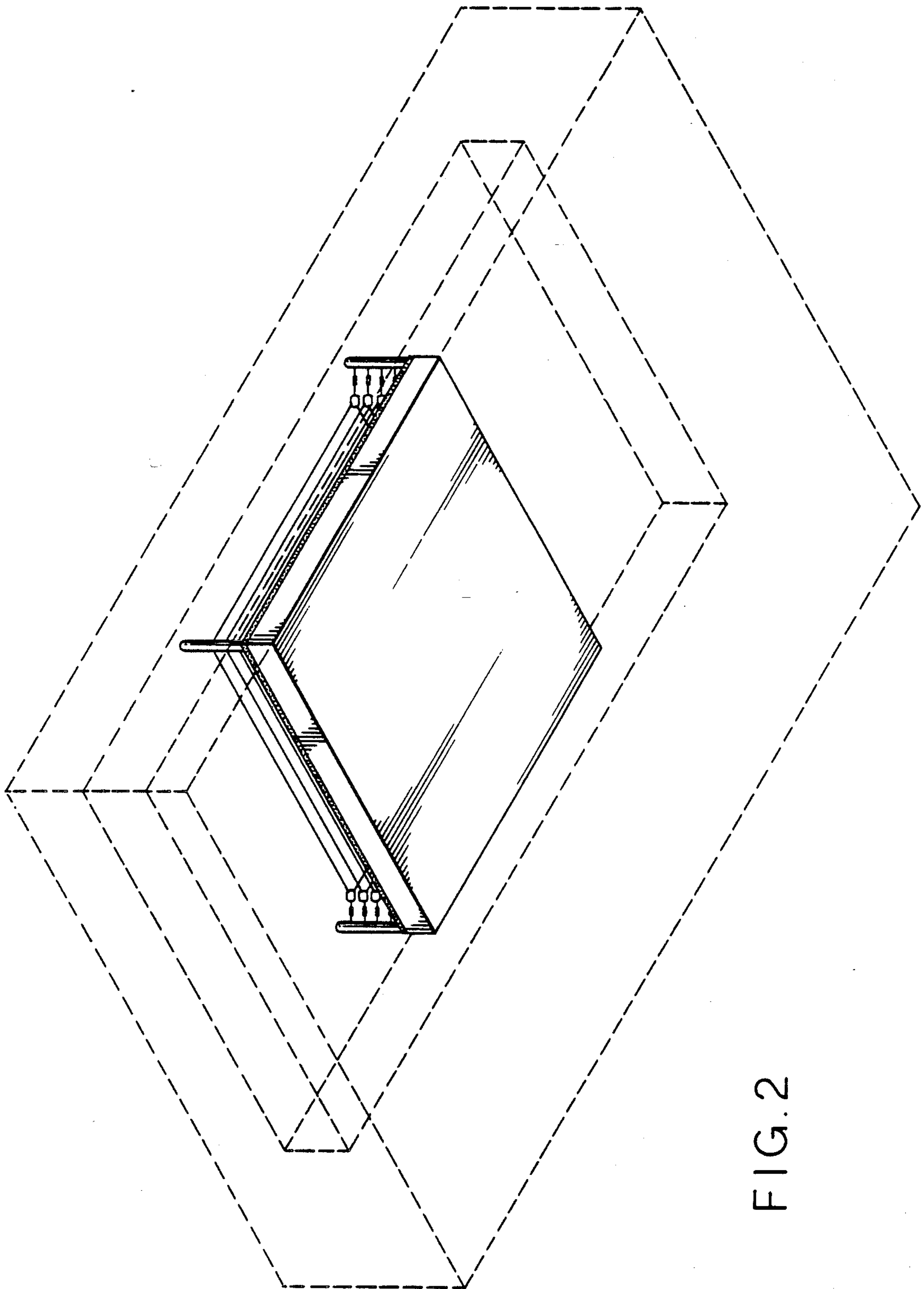


FIG. 2