



US00D325477S

United States Patent [19]

[11] Patent Number: **Des. 325,477**

Poulsen et al.

[45] Date of Patent: **** Apr. 21, 1992**

[54] **STORAGE BOX FOR BATTERIES USED IN HOUSEHOLD TOYS**

D. 252,979	9/1979	Bayly	D21/108 X
D. 285,222	8/1986	Nakata	D21/108
D. 287,519	12/1986	Takahashi	D21/108
1,192,530	7/1916	Kirk	D21/108 X

[75] Inventors: **Ole V. Poulsen; Kurt Jensen**, both of Vejle, Denmark

Primary Examiner—Donald P. Walsh
Assistant Examiner—Monica A. Hannon
Attorney, Agent, or Firm—Kane, Dalsimer, Sullivan Kurucz, Levy, Eisele and Richard

[73] Assignee: **Interlego A.G.**, Baar, Switzerland

[**] Term: **14 Years**

[21] Appl. No.: **442,921**

[57] CLAIM

[22] Filed: **Nov. 29, 1989**

The ornamental design for a storage box for batteries used in household toys, as shown and described.

[52] U.S. Cl. **D6/432; D6/434; D6/440; D21/108**

DESCRIPTION

[58] Field of Search **D6/396, 407, 422, 429, D6/432, 440; 211/126; 312/194, 195, 258; 108/27, 50; 217/5, 56, 59; D21/108, 121, 59**

FIG. 1 is a top perspective view of the storage box for batteries used in household toys showing our new design;

[56] References Cited

U.S. PATENT DOCUMENTS

D. 144,017	3/1946	Abbott	D6/440
D. 153,933	5/1949	Gilmore	D6/440
D. 244,632	6/1977	Christiansen	D21/108
D. 252,978	9/1979	Bayly	D21/108 X

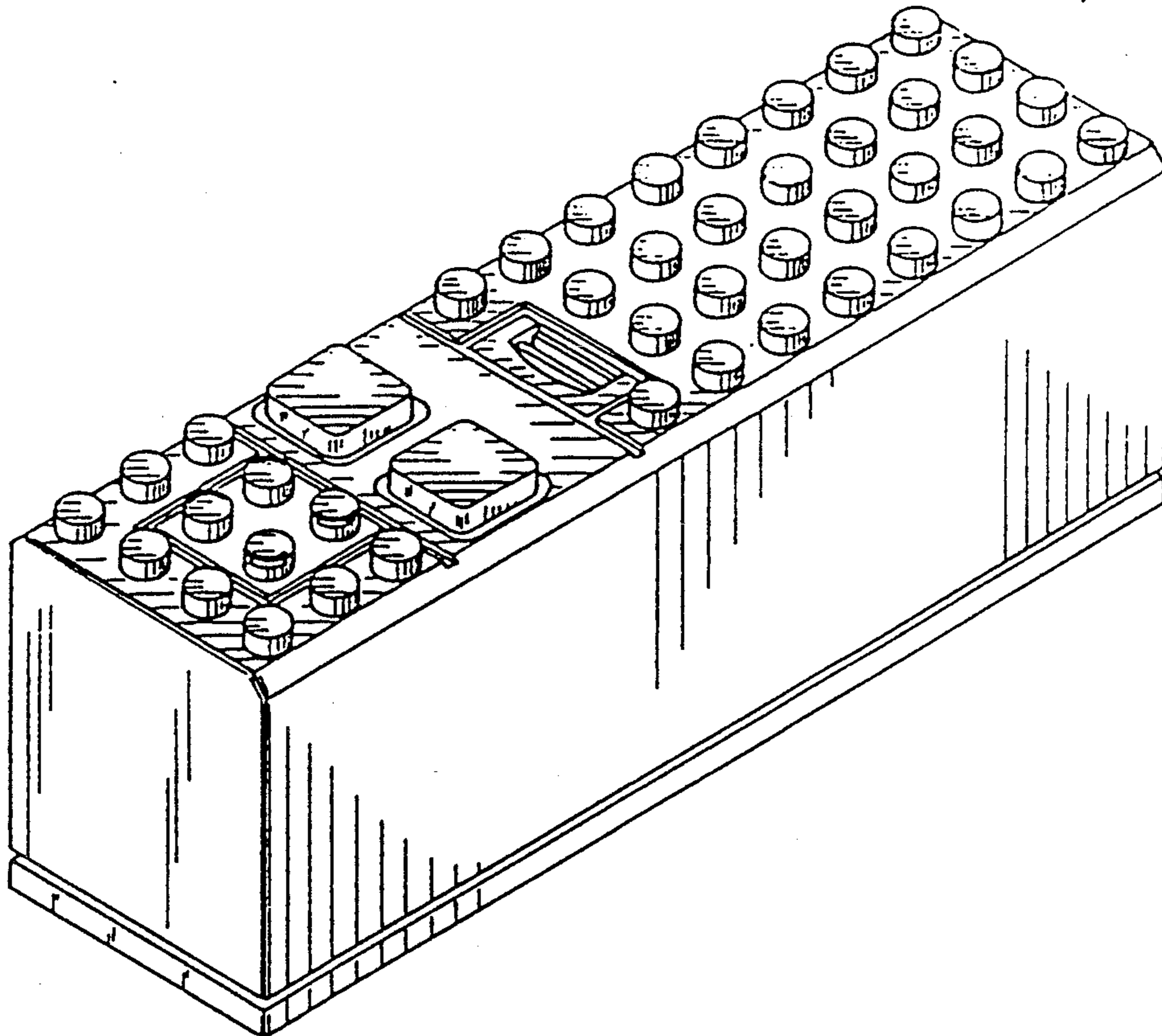
FIG. 2 is a bottom perspective view thereof;

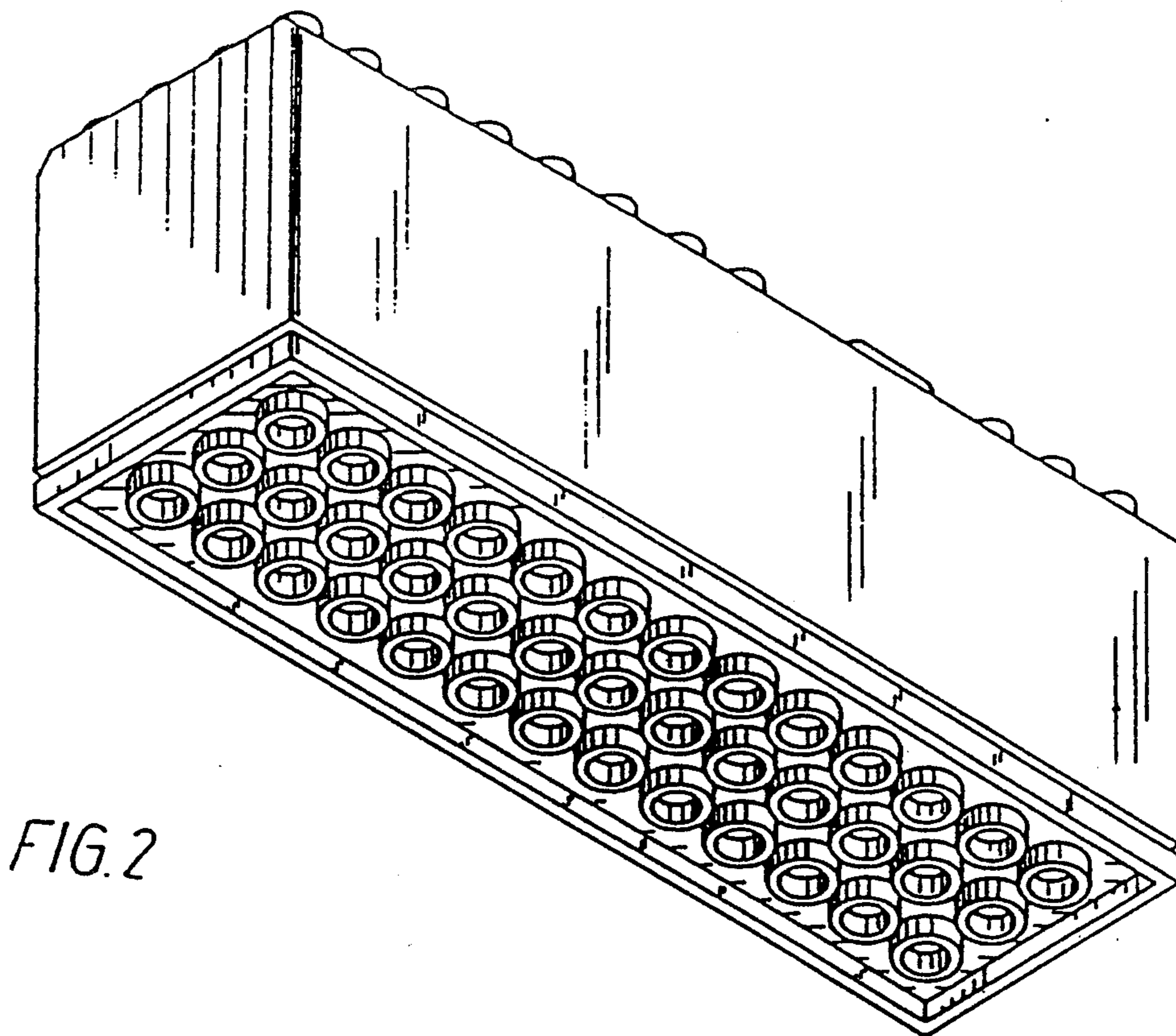
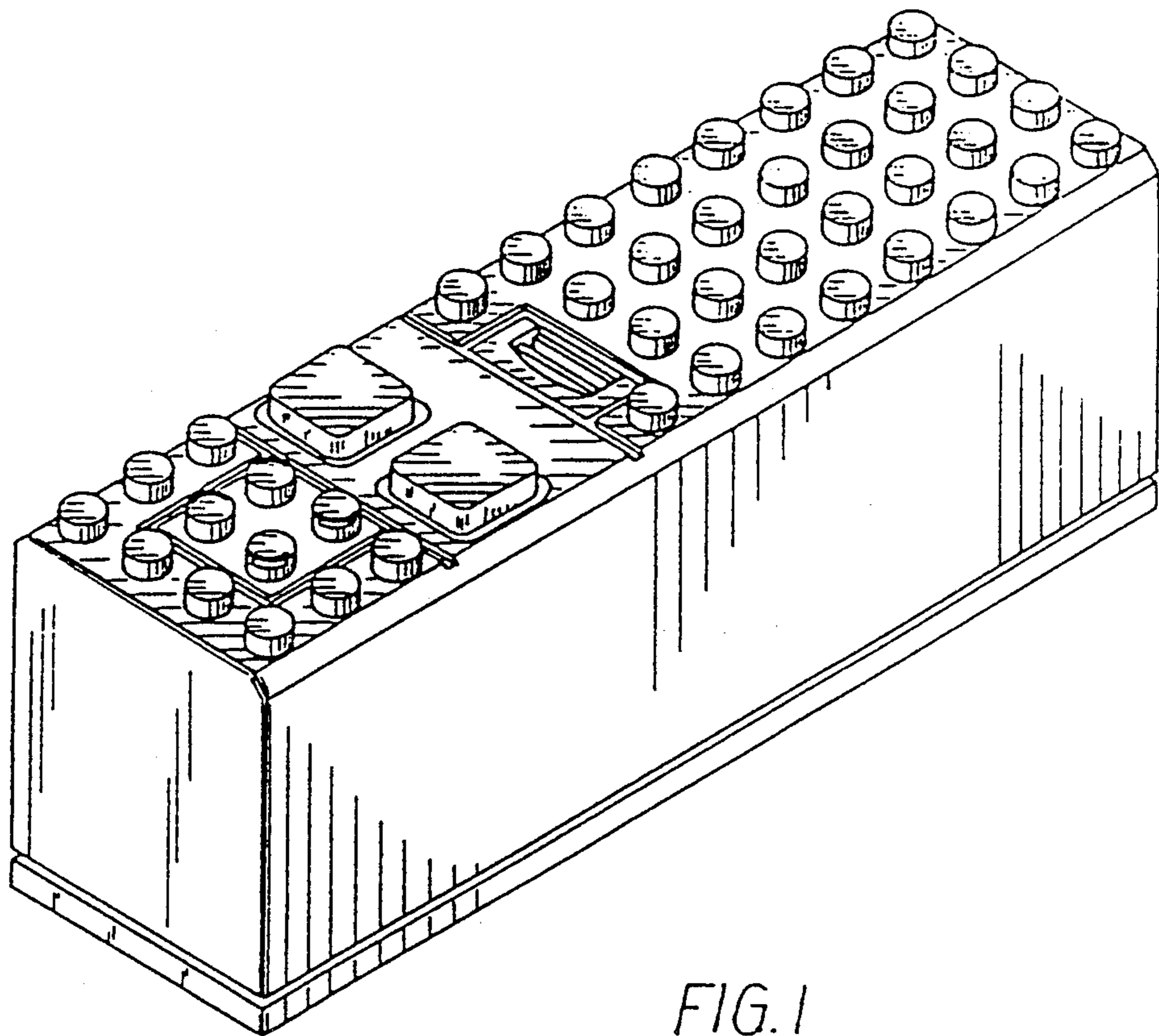
FIG. 3 is a front elevational view, the rear of the articles being identical thereof;

FIG. 4 is a side elevational view, the opposite side being a mirror image thereof;

FIG. 5 is a top plan view thereof; and,

FIG. 6 is a bottom plan view thereof.





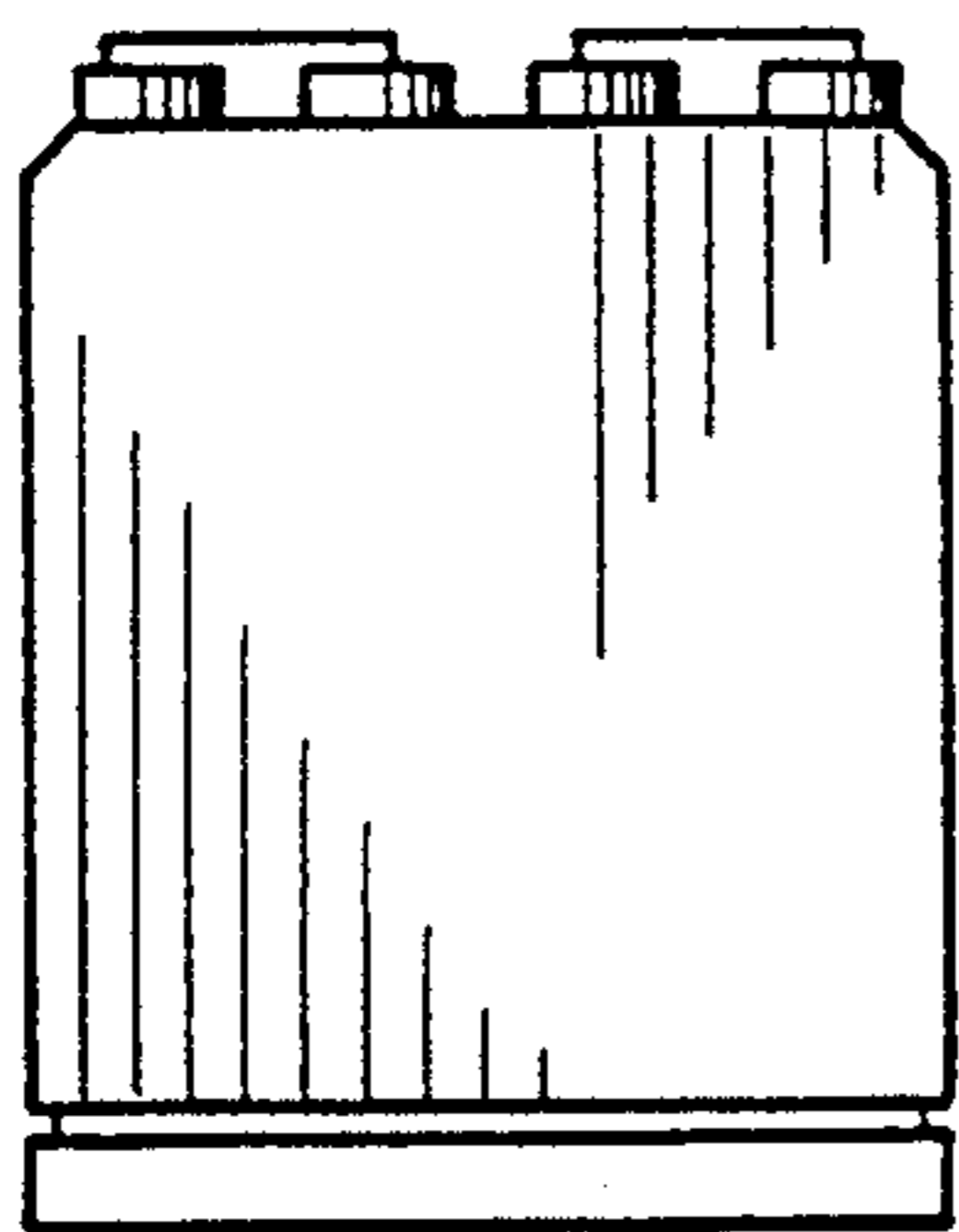


FIG. 3

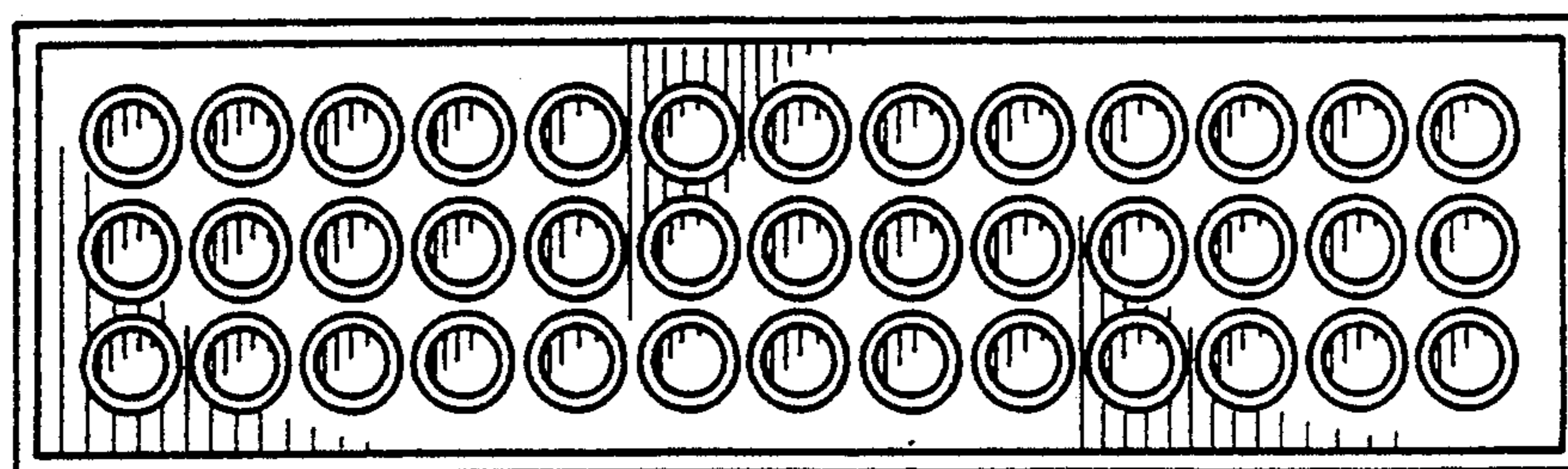


FIG. 6

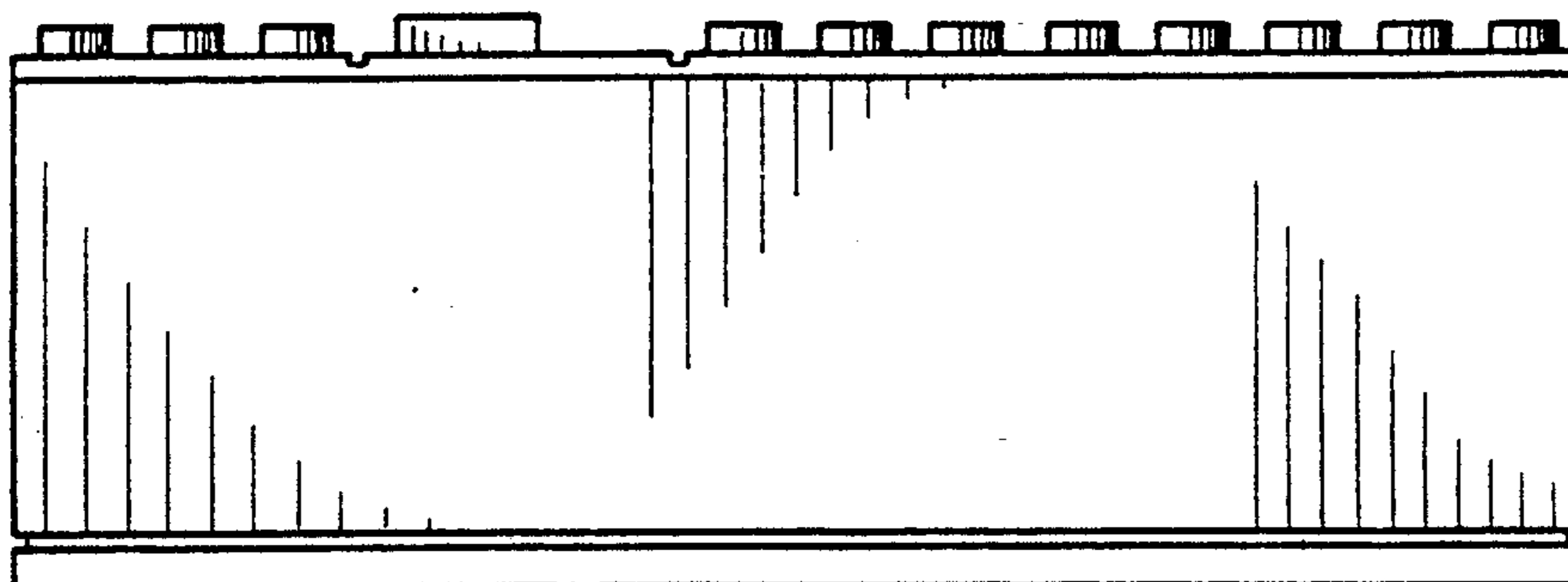


FIG. 4

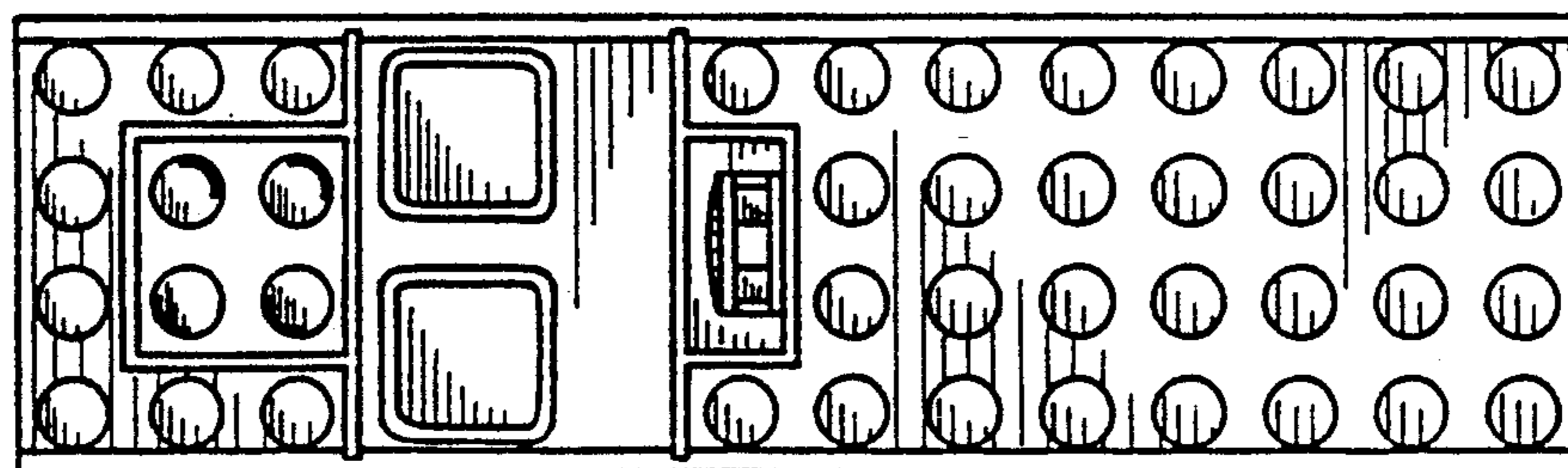


FIG. 5