



US00D325469S

United States Patent [19]

[11] Patent Number: **Des. 325,469**

Kim

[45] Date of Patent: **** Apr. 21, 1992**

[54] **BICYCLE-MOUNTABLE BAG DESIGN**

[57] **CLAIM**

[76] Inventor: **Hae S. Kim, 306 W. Houghton Ave., Houghton, Mich. 49931**

The ornamental design for a bicycle-mountable bag, as shown and described.

[**] Term: **14 Years**

DESCRIPTION

[21] Appl. No.: **100,000**

FIG. 1 is a front elevational view of a bicycle-mountable bag showing my design;

[22] Filed: **Sep. 23, 1987**

FIG. 2 is a perspective front view thereof;

[52] U.S. Cl. **D3/40; D3/77**

FIG. 3 is a perspective rear view thereof;

[58] Field of Search **D3/39, 40, 48, 54, 55, D3/71, 74, 75-79, 99, 35; 224/42.11, 42.42, 273, 275, 318, 30 R, 327, 329, 311**

FIG. 4 is a perspective front view as mounted on a bicycle thereof;

[56] **References Cited**

U.S. PATENT DOCUMENTS

- D. 265,779 8/1982 Stark **D3/77 X**
- D. 265,949 8/1982 Stark **D3/77 X**

FIG. 5 is a perspective front view with vertically extended flap for dismounting thereof;

FIG. 6 is a perspective inside view fully stretched showing paper holding compartment, computer floppy disk and calculator pockets thereof;

FIG. 7 is a top plan view thereof;

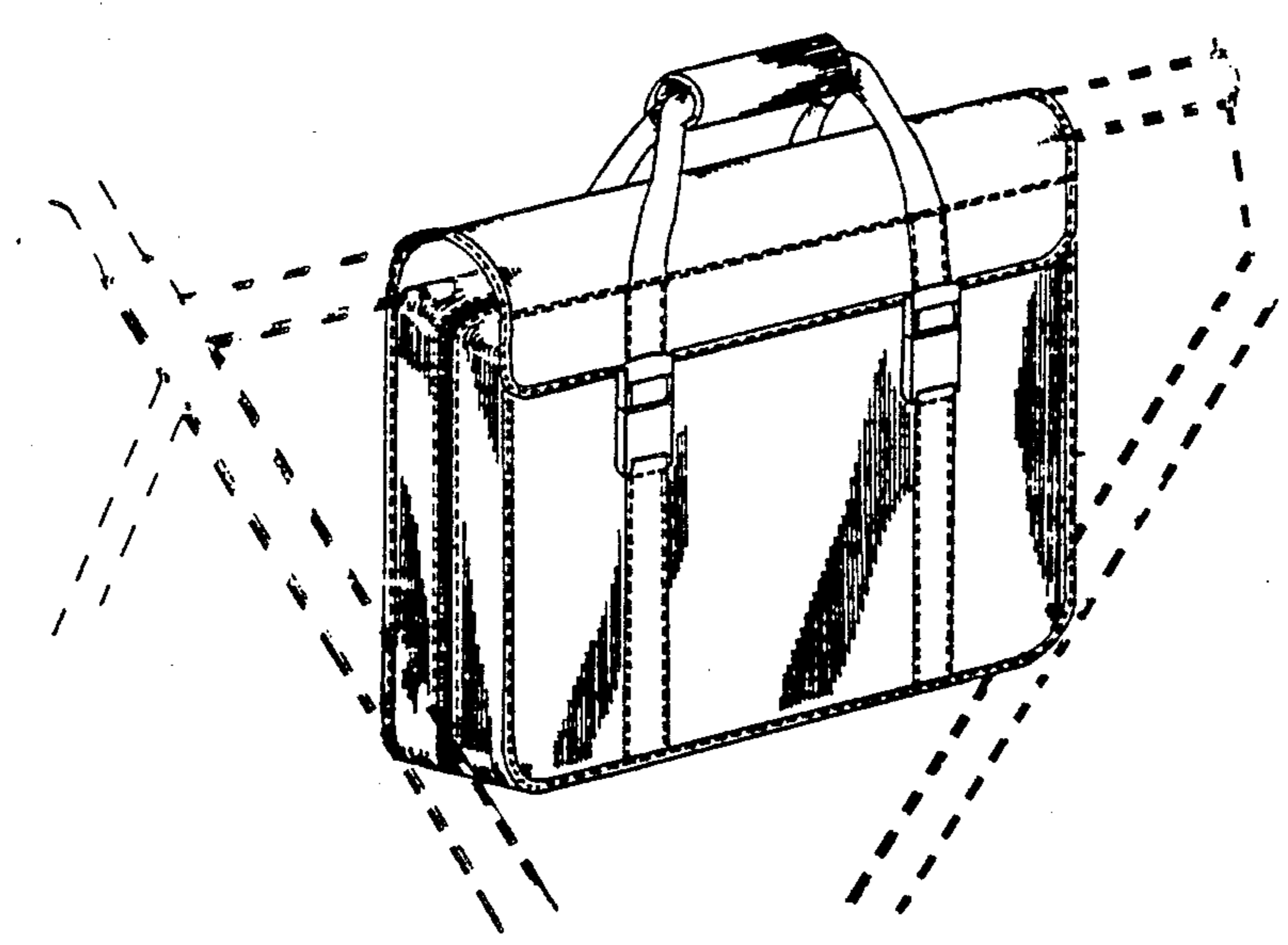
FIG. 8 is a bottom plan view thereof;

FIG. 9 is a left end elevational view thereof; and,

FIG. 10 is a right end elevational view thereof.

The broken line showing of a bicycle or parts thereof in FIGS. 1, 2 and 4 is for illustrative purposes only and forms no part of the claimed design.

Primary Examiner—Louis S. Zarfas



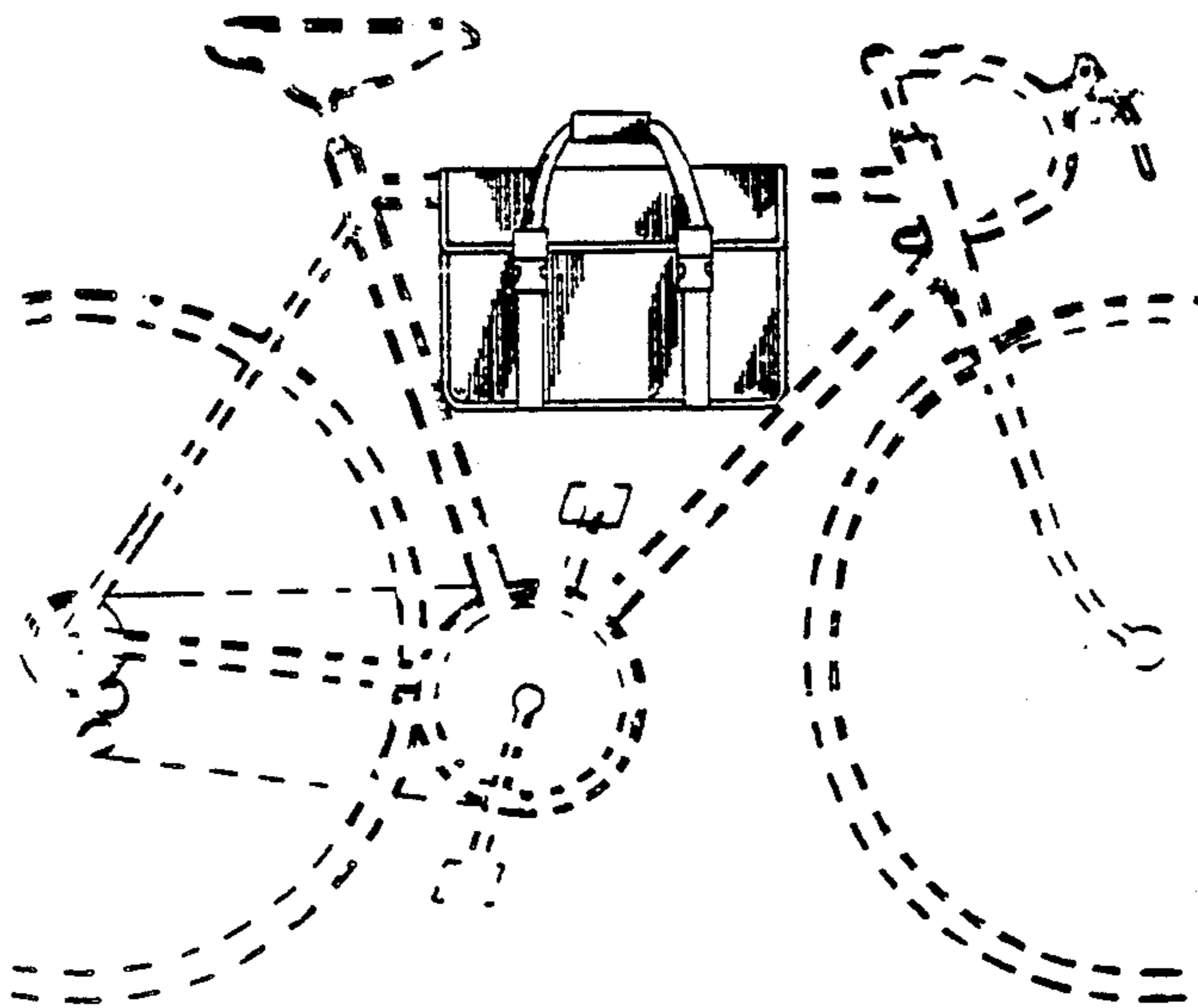


FIG. 1

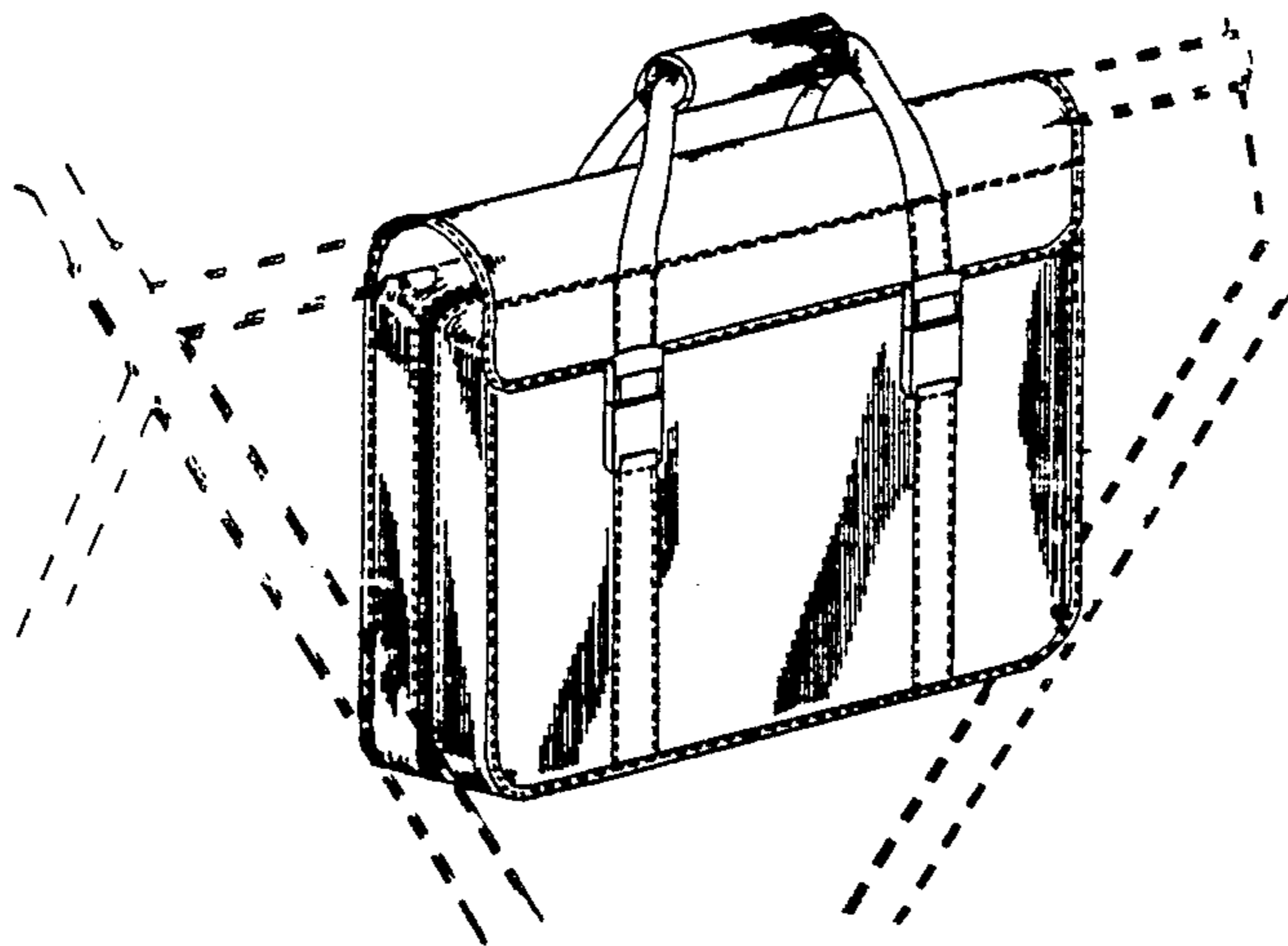


FIG. 2



FIG. 3

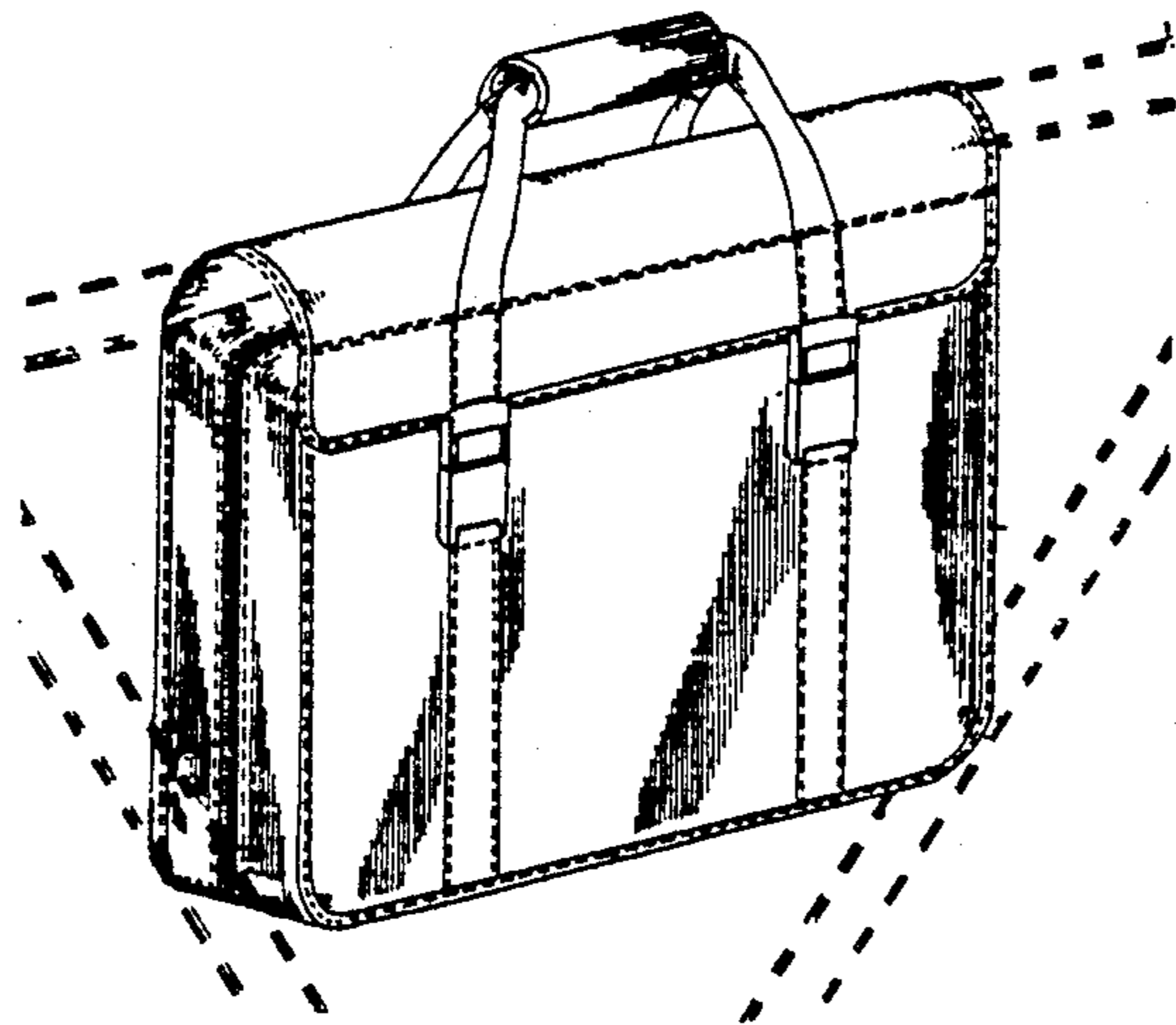


FIG. 4

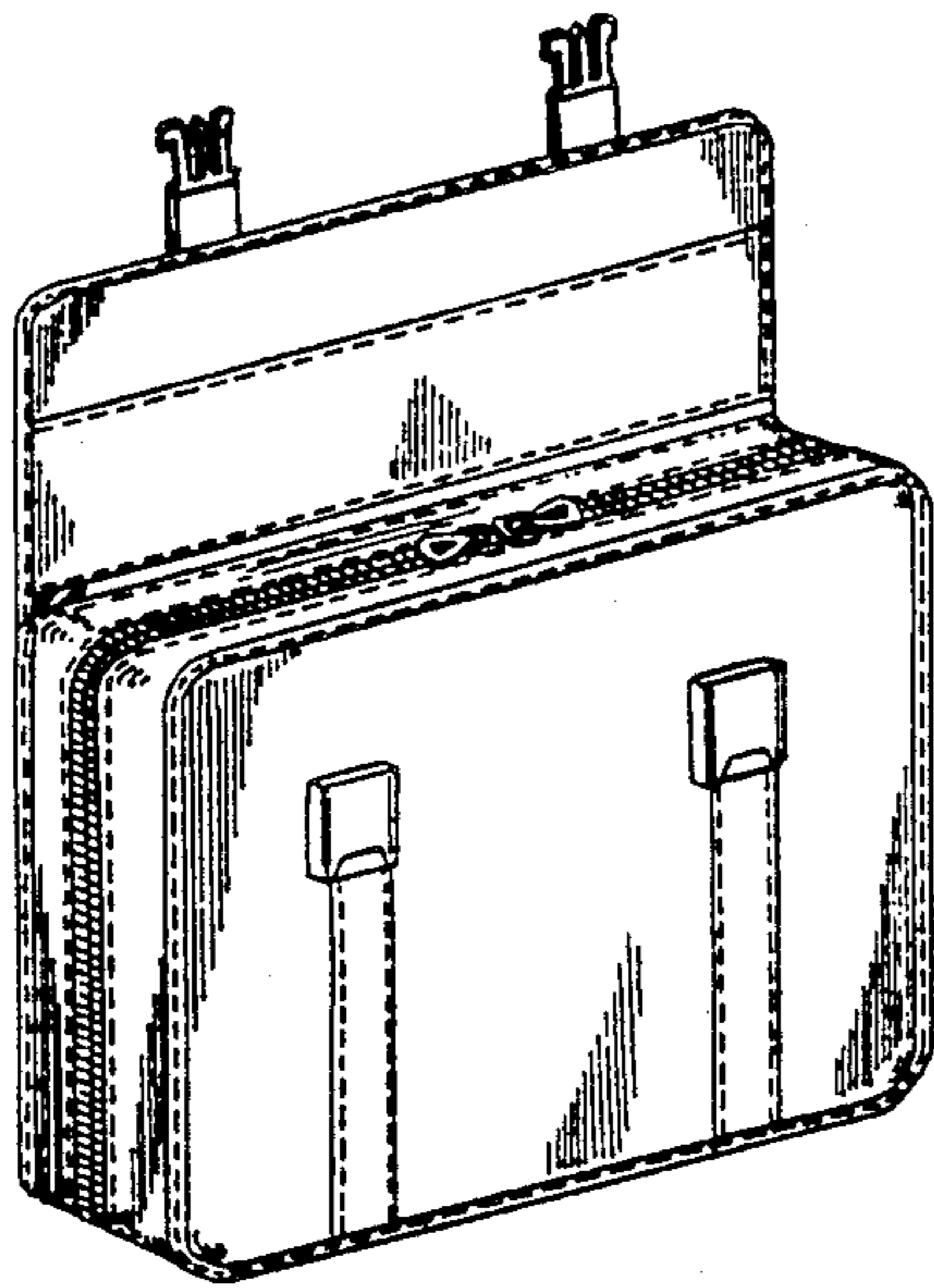


FIG. 5

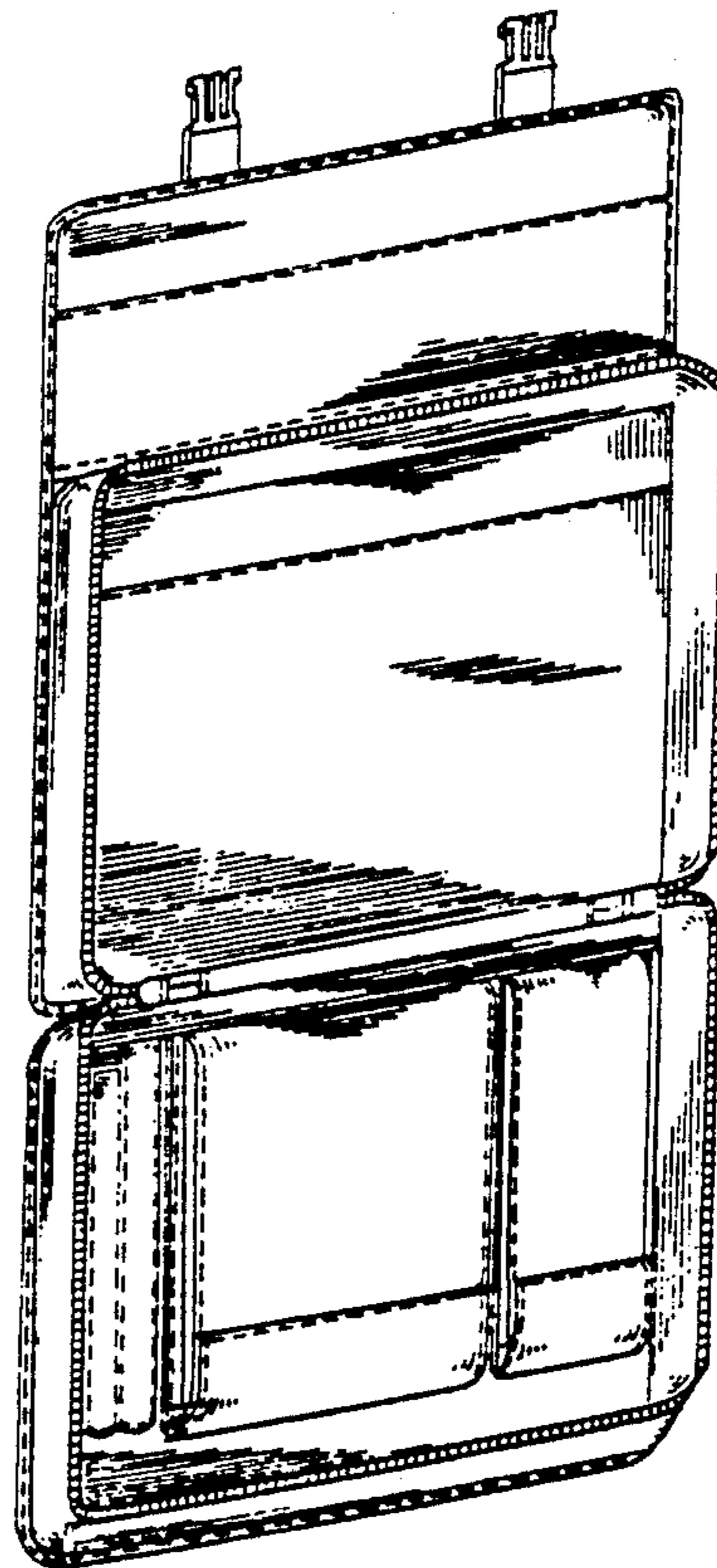


FIG. 6

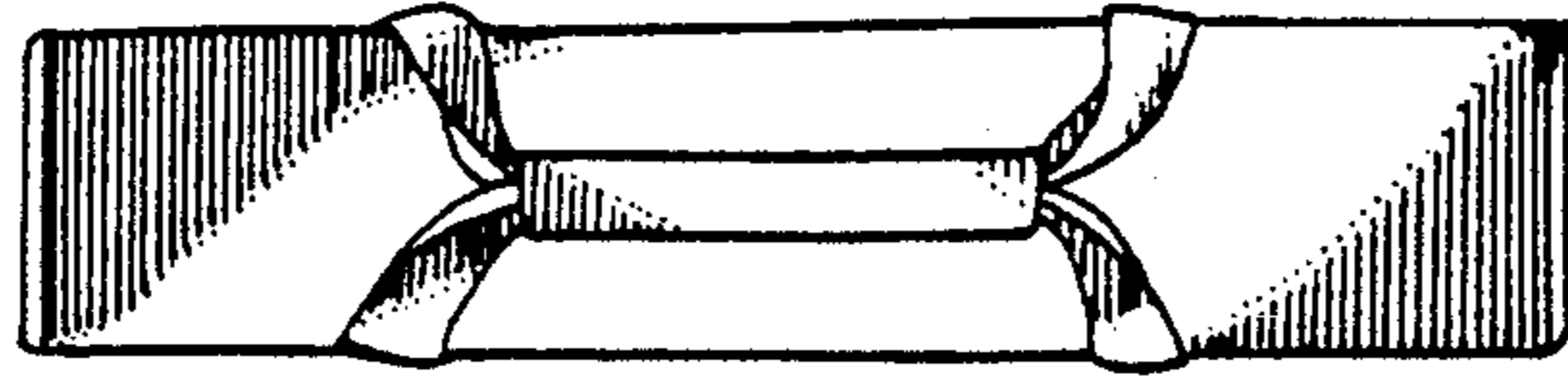


FIG. 7

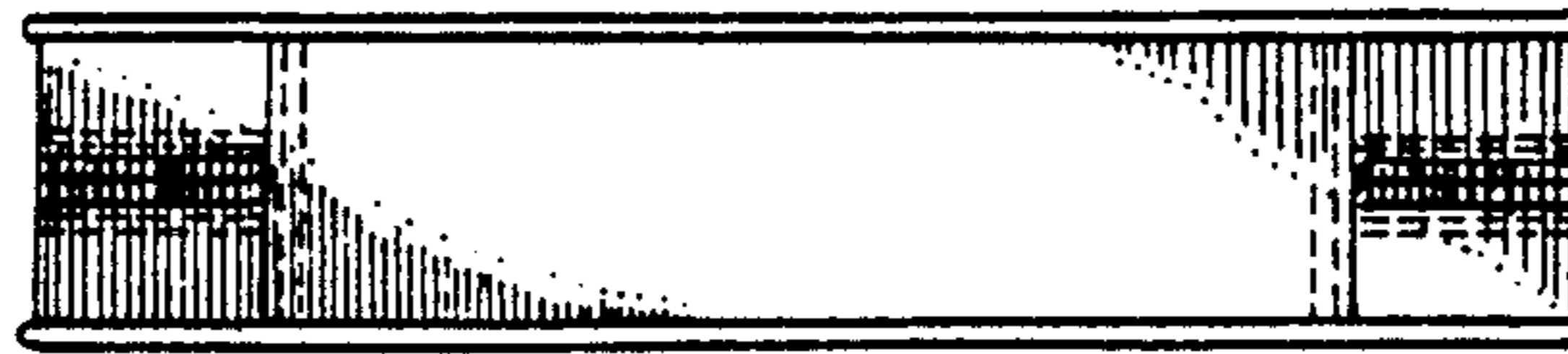


FIG. 8

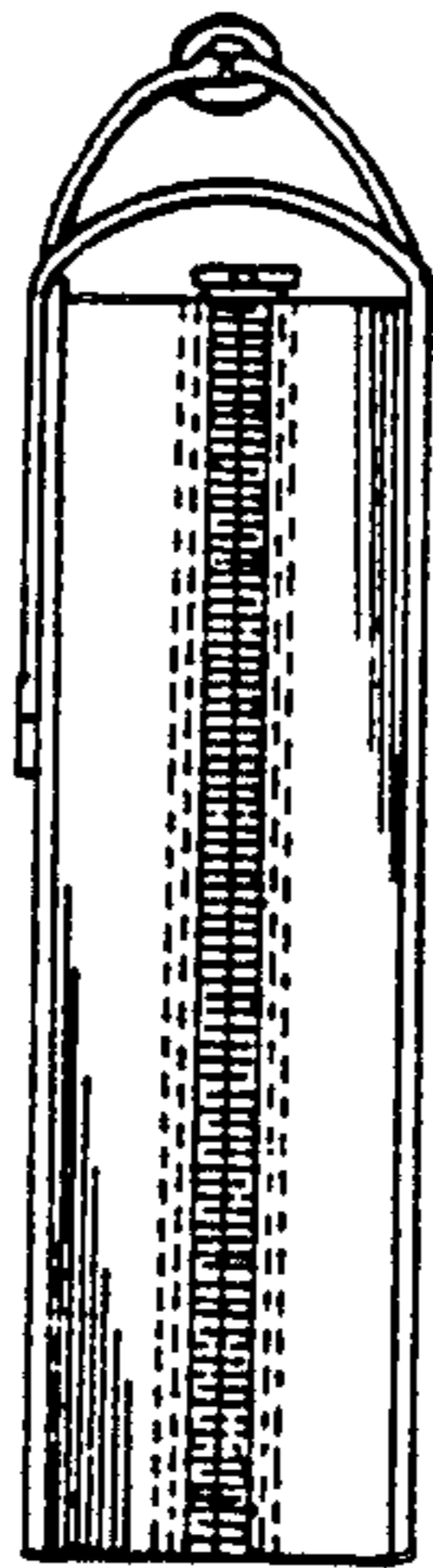


FIG. 9

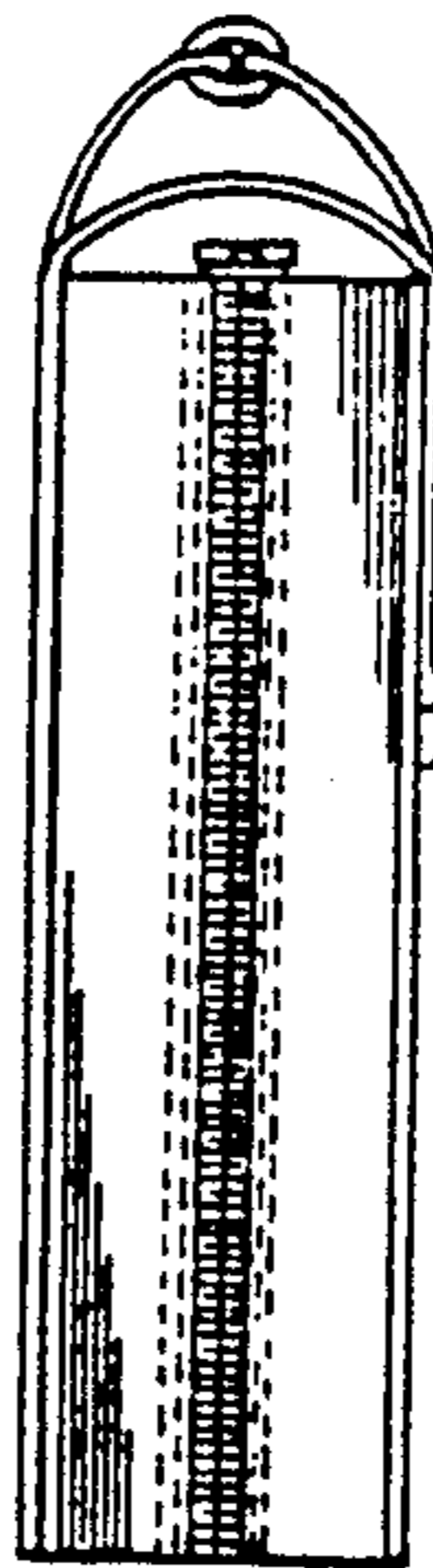


FIG. 10