



US00D325468S

United States Patent [19]

[11] Patent Number: **Des. 325,468**

Ohba

[45] Date of Patent: **** Apr. 21, 1992**

[54] **OPTICAL DISC CARTRIDGE**

[75] Inventor: **Haruo Ohba, Tokyo, Japan**

[73] Assignee: **Sony Corporation, Tokyo, Japan**

[**] Term: **14 Years**

[21] Appl. No.: **131,172**

[22] Filed: **Dec. 10, 1987**

[52] U.S. Cl. **D3/35**

[58] Field of Search **D3/35, 30.1, 78; 206/307, 309, 444, 387, 310, 311, 312, 313; 360/133**

4,908,817 3/1990 Sandell et al. 206/444 X

FOREIGN PATENT DOCUMENTS

289586 12/1986 Japan 206/309

Primary Examiner—A. Hugo Word
Assistant Examiner—Doris V. Coles
Attorney, Agent, or Firm—Lewis H. Eslinger; Jay H. Maioli; Donald S. Dowden

[57] CLAIM

The ornamental design for an optical disc cartridge, as shown and described.

[56] **References Cited**
U.S. PATENT DOCUMENTS

D. 293,507	1/1988	Ogusu	D3/35
4,571,718	2/1986	Cahill et al.	206/309 X
4,630,728	12/1986	Matsumoto et al.	206/444 X
4,680,662	7/1987	Fukushima et al.	360/133
4,688,206	8/1987	Nakagawa et al.	360/133 X
4,695,910	9/1987	Maruyama et al.	360/133
4,746,013	5/1988	Suzuki et al.	206/444 X
4,780,868	10/1988	Vignal	206/309 X
4,862,448	8/1989	Tanaka et al.	206/444 X

DESCRIPTION

FIG. 1 is a top, front, and left-side perspective view of an optical disc cartridge, showing my new design;
 FIG. 2 is a top, front, and left-side perspective view thereof, shown with lid in the open position;
 FIG. 3 is a front elevational view thereof;
 FIG. 4 is a rear elevational view thereof;
 FIG. 5 is a left-side elevational view thereof;
 FIG. 6 is a right-side elevational thereof;
 FIG. 7 is a top plan view thereof; and,
 FIG. 8 is a bottom plan view thereof.

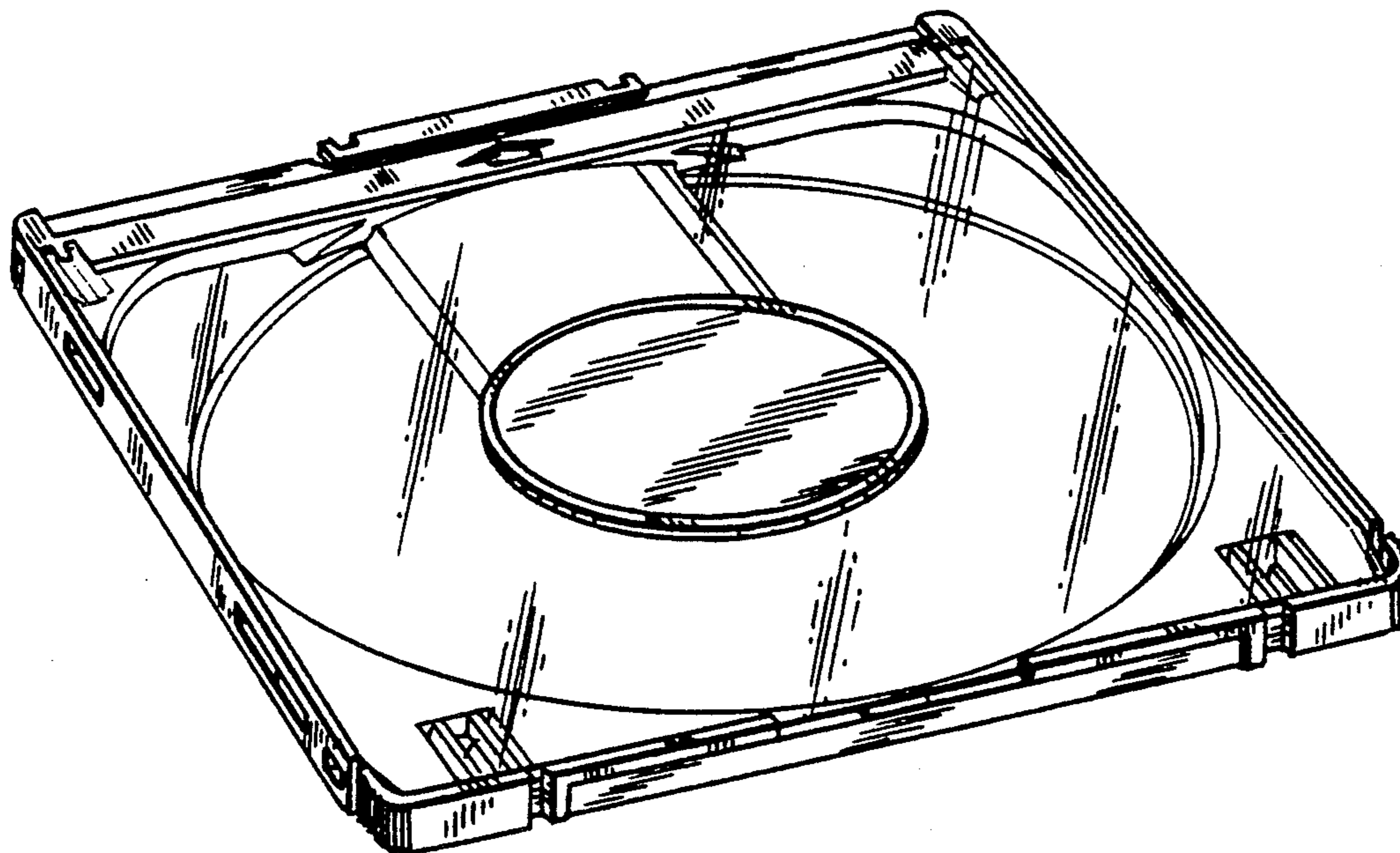


FIG. 1

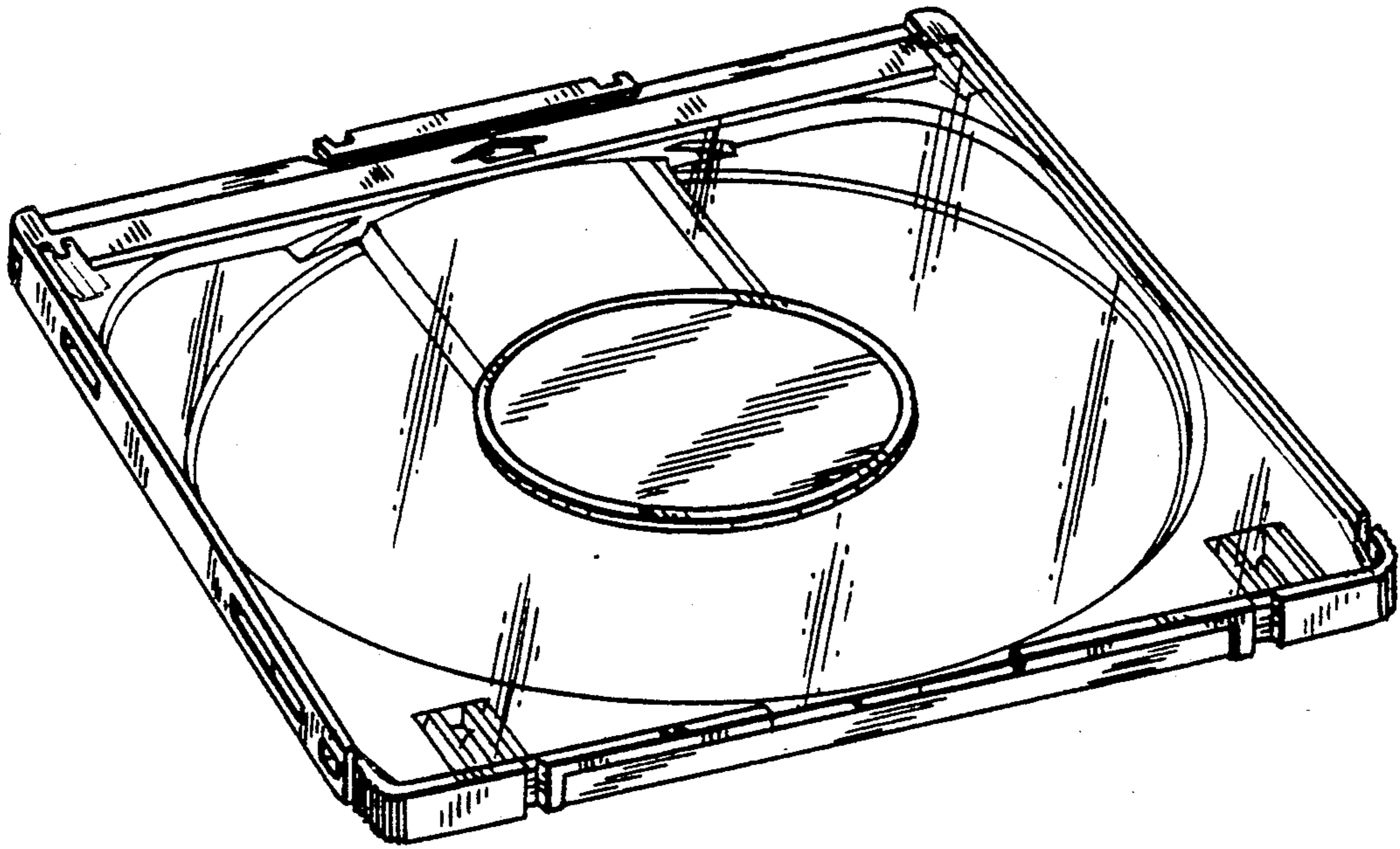


FIG. 3

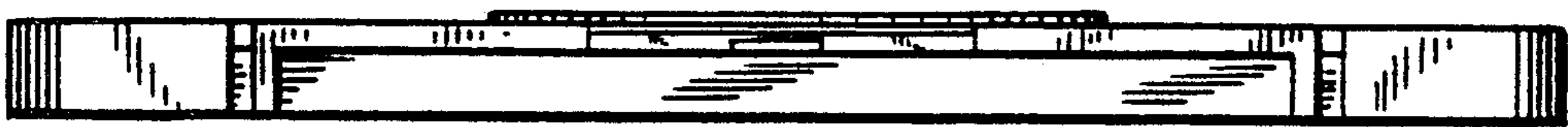


FIG. 2

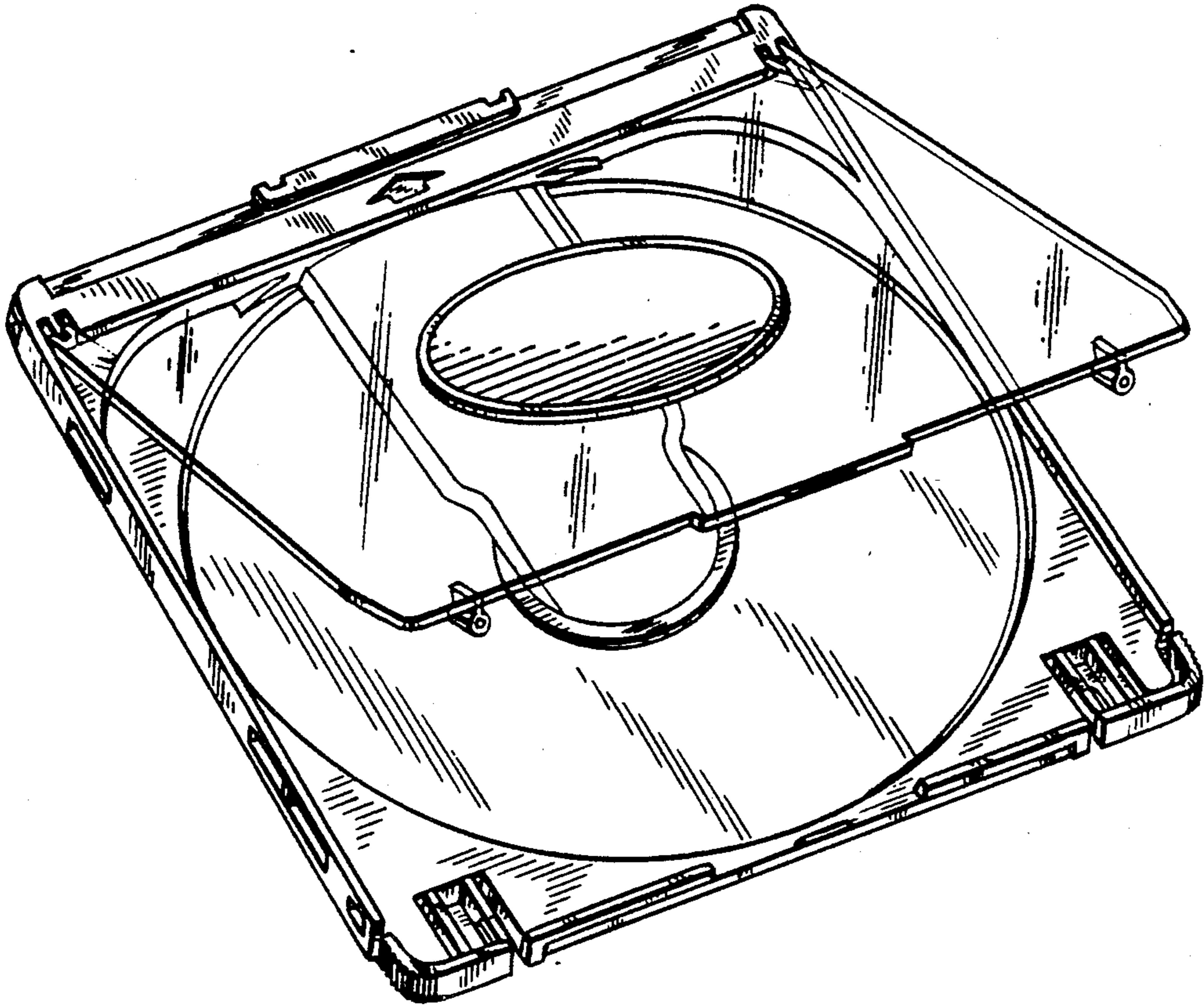


FIG. 4

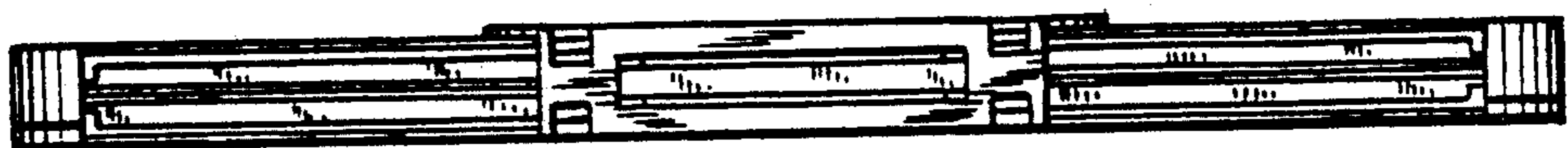


FIG. 5



FIG. 7

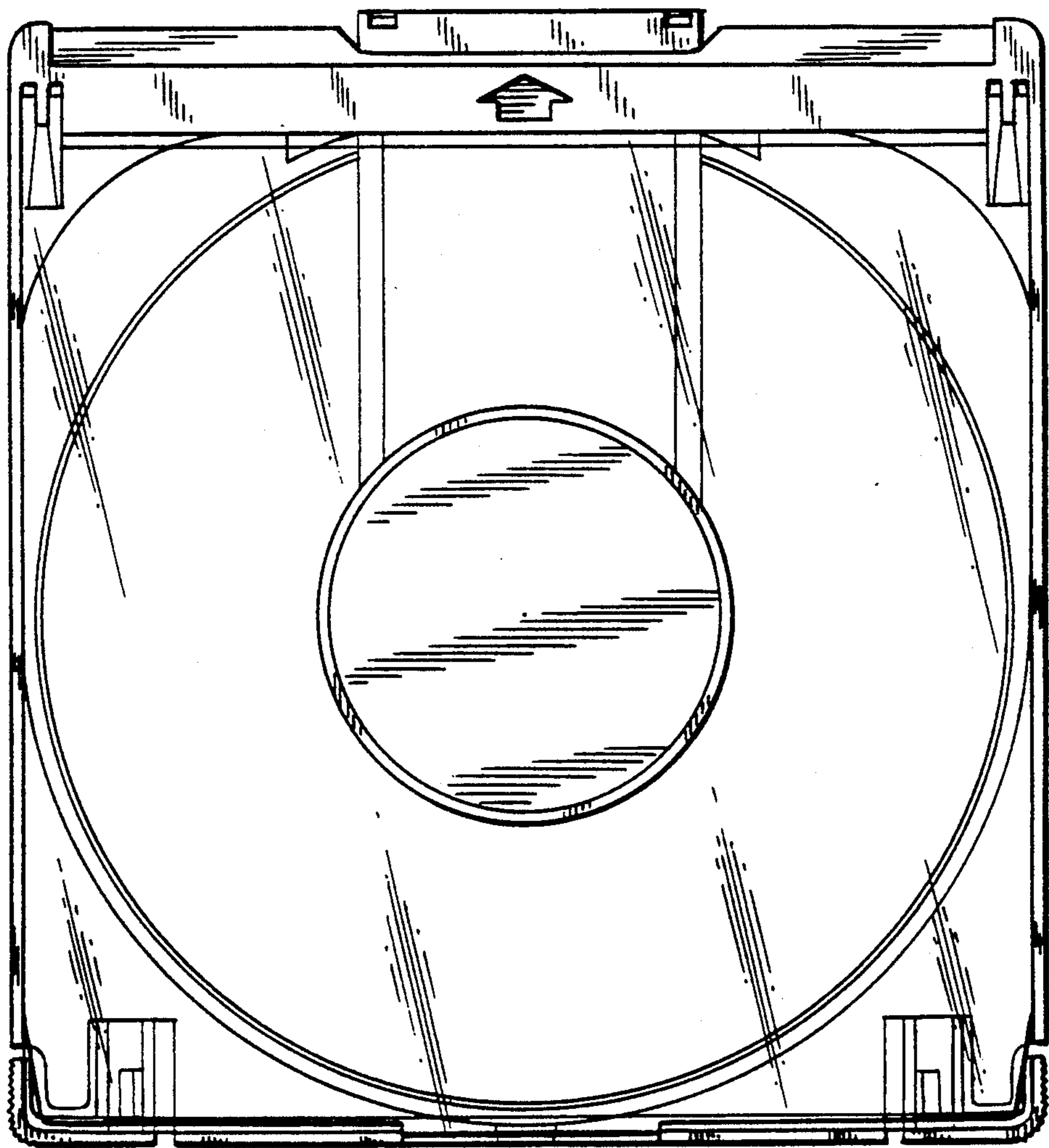


FIG. 6



FIG. 8

