



US00D325456S

# United States Patent [19] Scaife

[11] Patent Number: **Des. 325,456**  
[45] Date of Patent: **\*\* Apr. 14, 1992**

[54] STORAGE SAFE

[75] Inventor: **Michael J. Scaife**, Guisborough,  
England

[73] Assignee: **Cleveland Sitesafe Limited**,  
Middlesbrough, England

[\*\*] Term: **14 Years**

[21] Appl. No.: **374,546**

[22] Filed: **Jun. 30, 1989**

[52] U.S. Cl. .... **D99/28**

[58] Field of Search ..... **D99/28; 109/17, 19,  
109/28, 23, 34, 37**

[56] **References Cited**

**U.S. PATENT DOCUMENTS**

- D. 143,606 1/1946 McGunn ..... D99/28
- D. 195,373 6/1963 Dwyer ..... D99/28

- D. 274,858 7/1984 Brush et al. .... D99/28
- D. 279,579 7/1985 Nishida ..... D99/28
- 2,319,473 5/1943 Podjus ..... 109/34
- 4,389,194 6/1983 Toll et al. .... 109/1 R

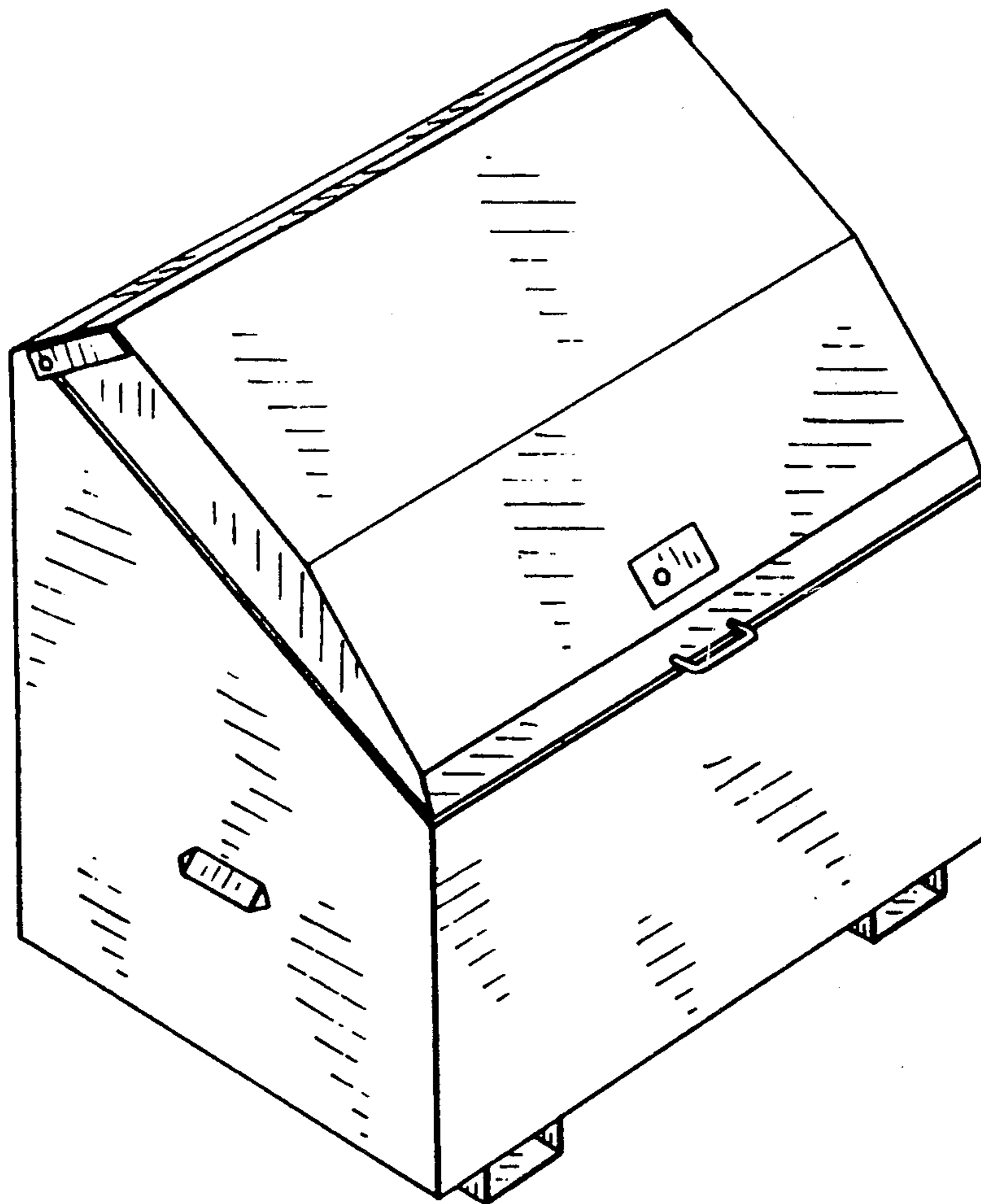
*Primary Examiner*—Nelson C. Holtje  
*Assistant Examiner*—J. H. Musgrove  
*Attorney, Agent, or Firm*—Rodman & Rodman

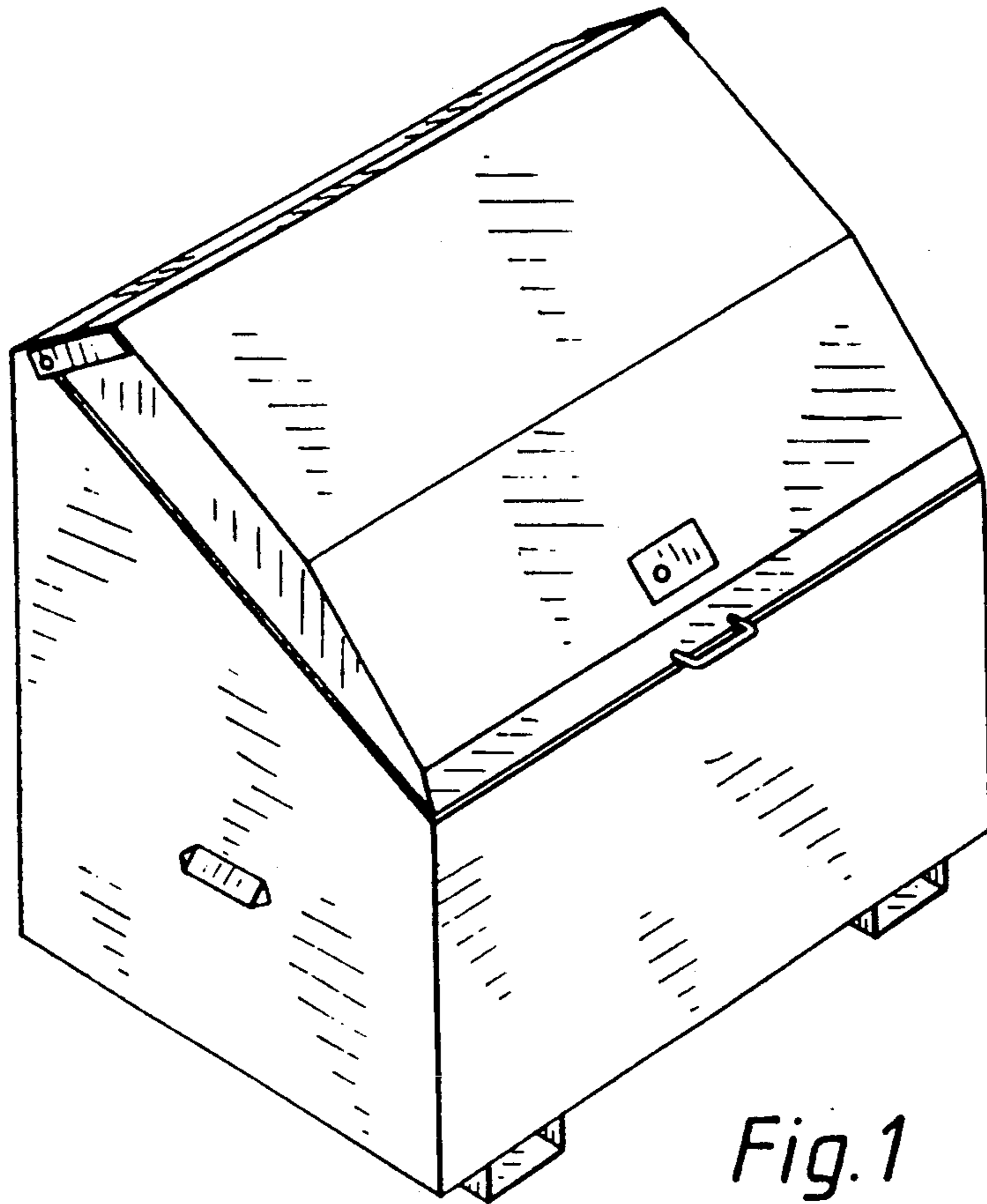
[57] **CLAIM**

The ornamental design for a storage safe, as shown and described.

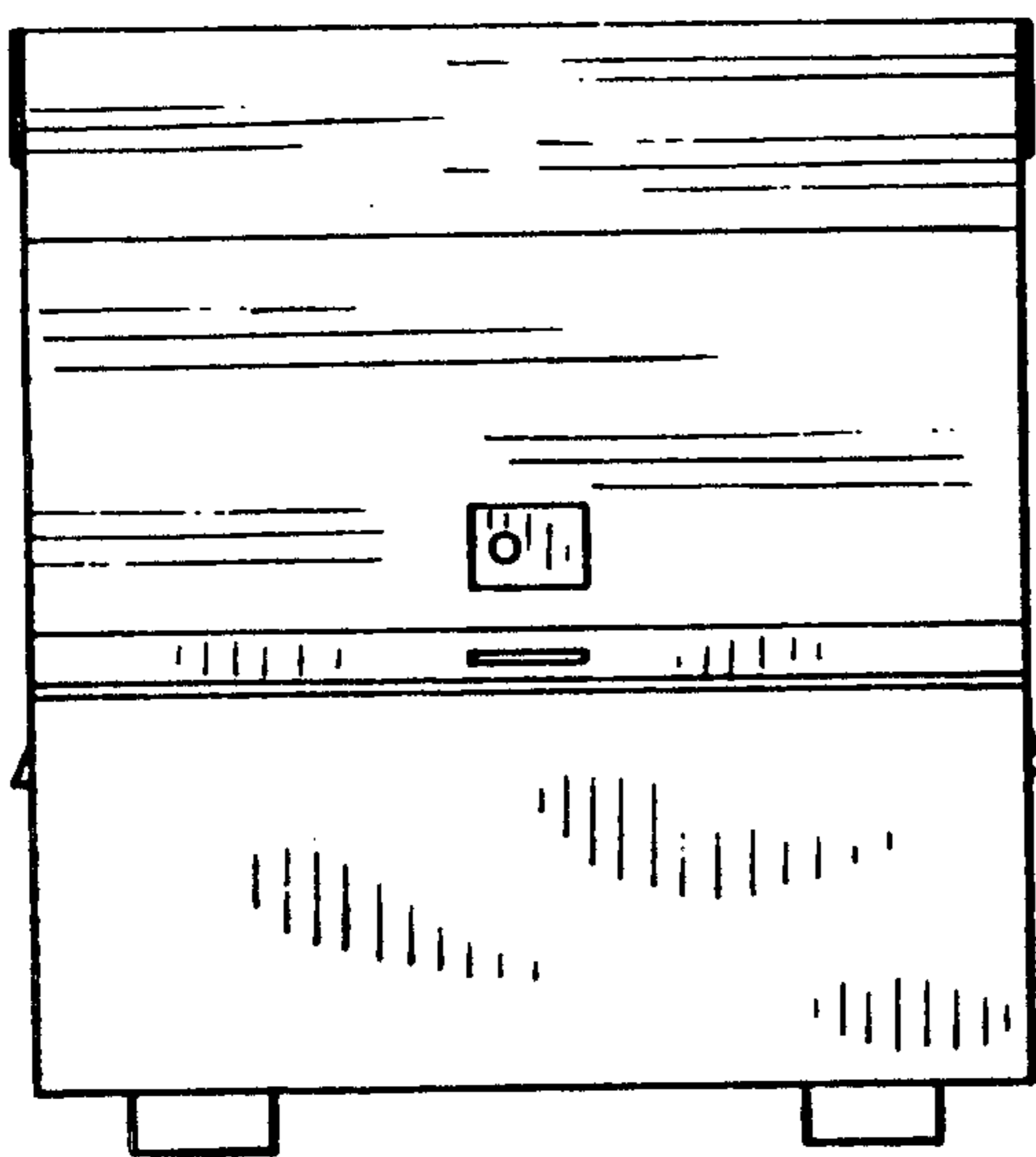
**DESCRIPTION**

FIG. 1 is a front top right-side perspective view of a storage safe showing my new design;  
FIG. 2 is a front elevational view;  
FIG. 3 is a rear elevational view;  
FIG. 4 is a right side elevational view;  
FIG. 5 is a left side elevational view; and,  
FIG. 6 is a top plan view thereof.

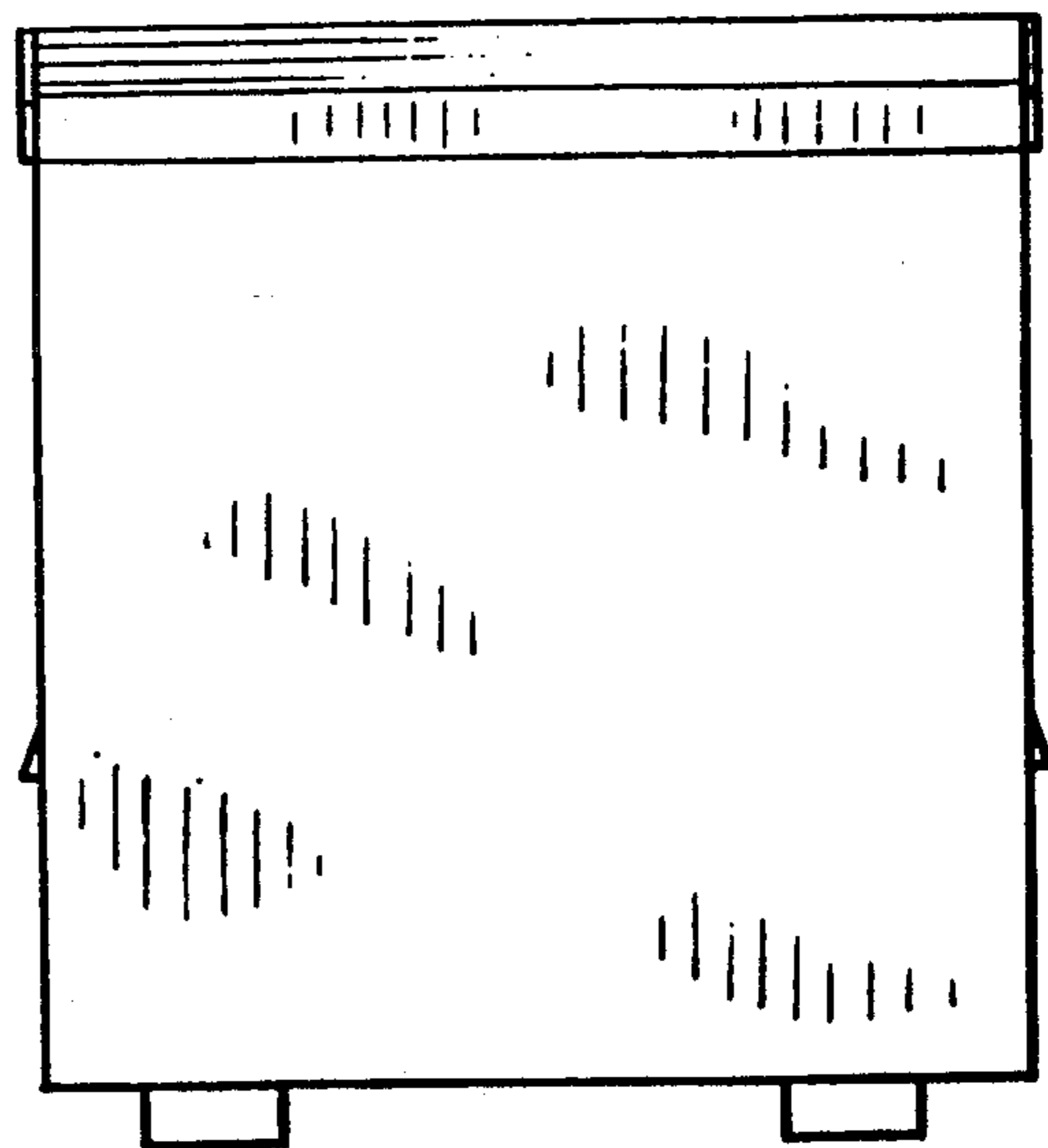




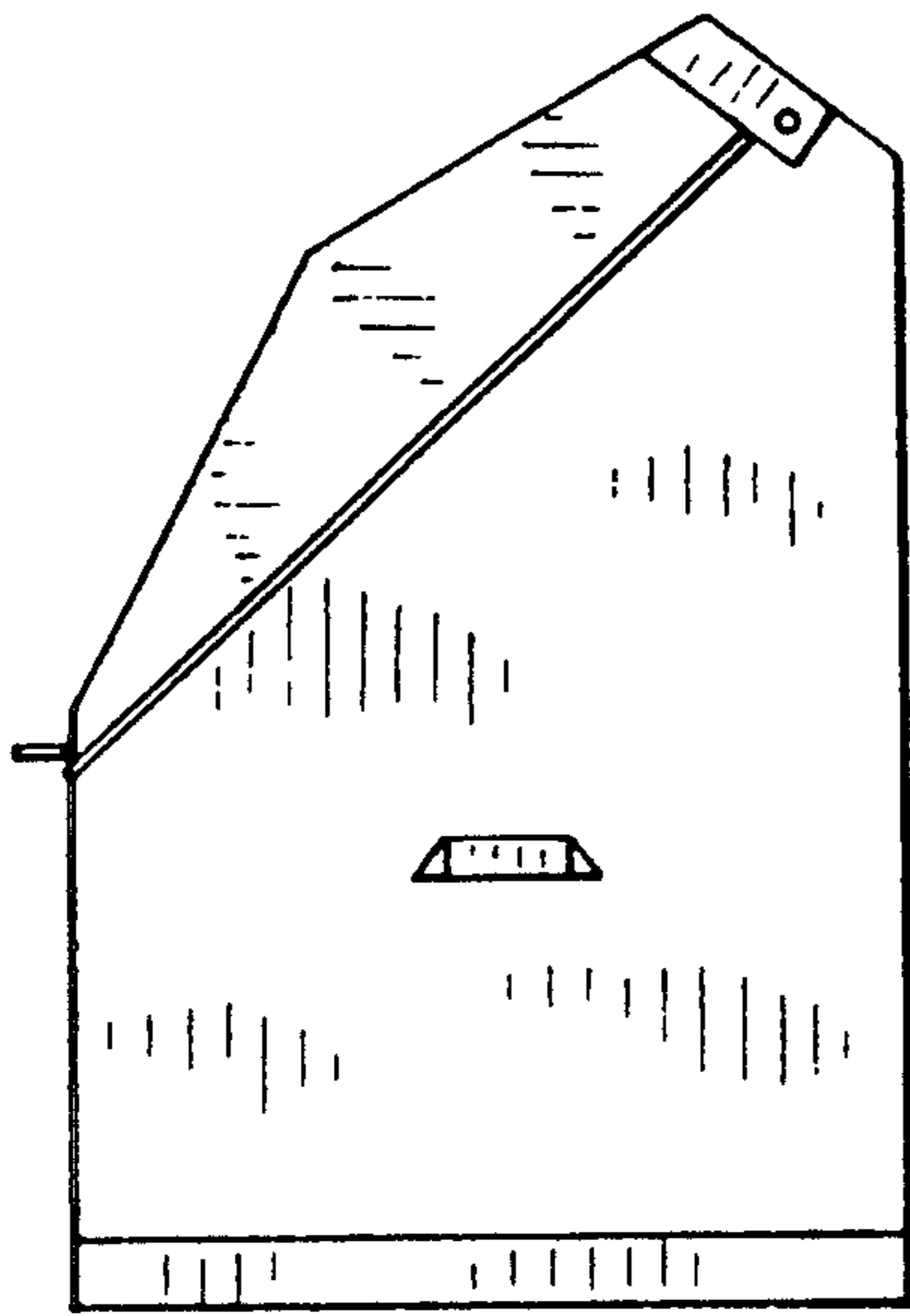
*Fig. 1*



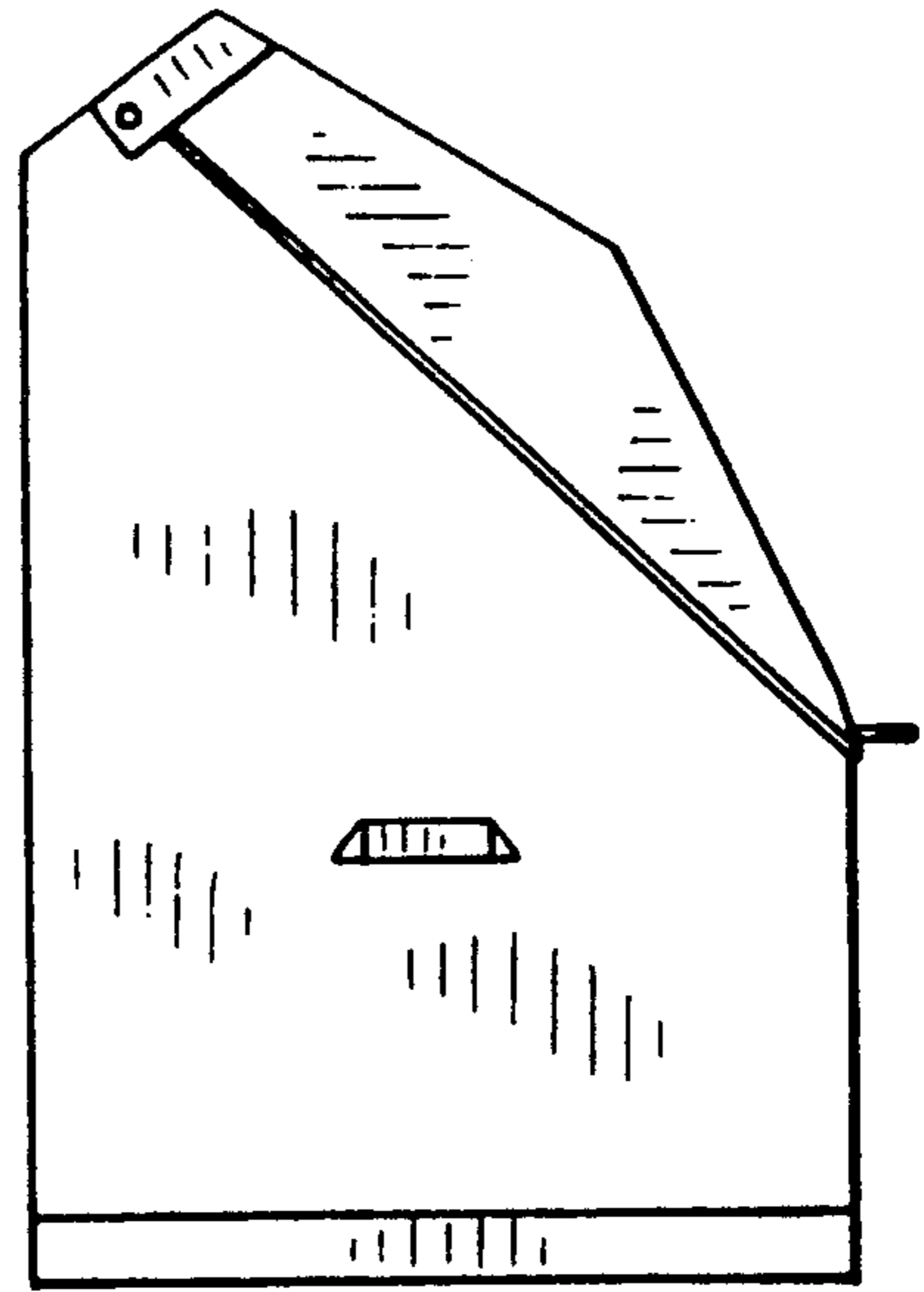
*Fig. 2*



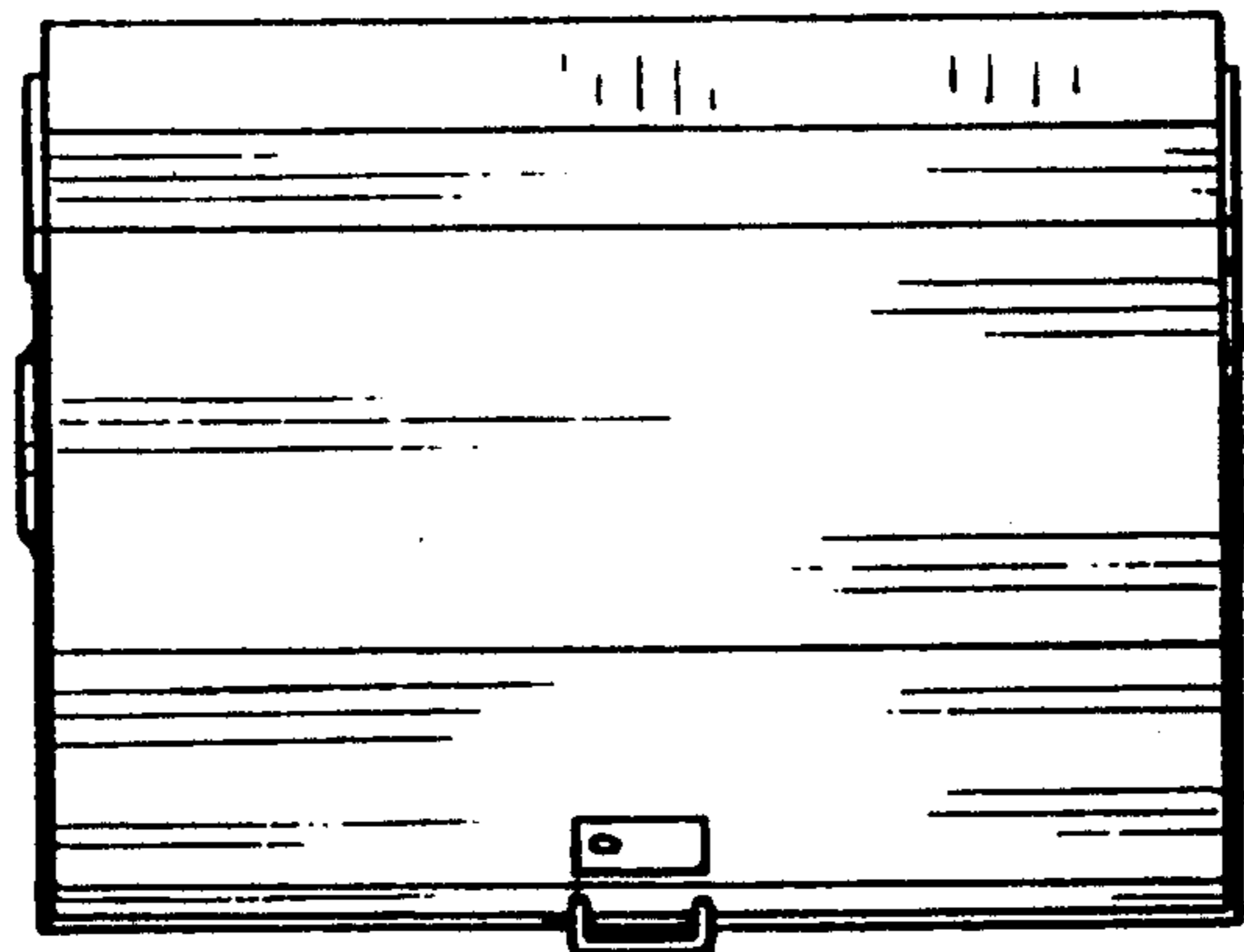
*Fig. 3*



*Fig. 4*



*Fig. 5*



*Fig. 6*