



US00D325455S

United States Patent [19]

[11] Patent Number: Des. 325,455

Jones

[45] Date of Patent: ** Apr. 14, 1992

[54] TRASH CAN STAND

3,232,441 2/1966 Mitscherling 211/71
4,083,457 4/1978 Dromboski 211/71

[76] Inventor: Rodney W. Jones, 2304 Dekalb,
Burlington, Iowa 52601

Primary Examiner—Kay H. Chin
Attorney, Agent, or Firm—Leon Gilden

[**] Term: 14 Years

[57] CLAIM

[21] Appl. No.: 396,008

The ornamental design for a trash can stand, as shown and described.

[22] Filed: Aug. 21, 1989

[52] U.S. Cl. D34/6; D6/556

[58] Field of Search D34/1, 5, 6; 248/95,
248/97, 99, DIG. 7; D6/556, 557, 558; 211/71,
83

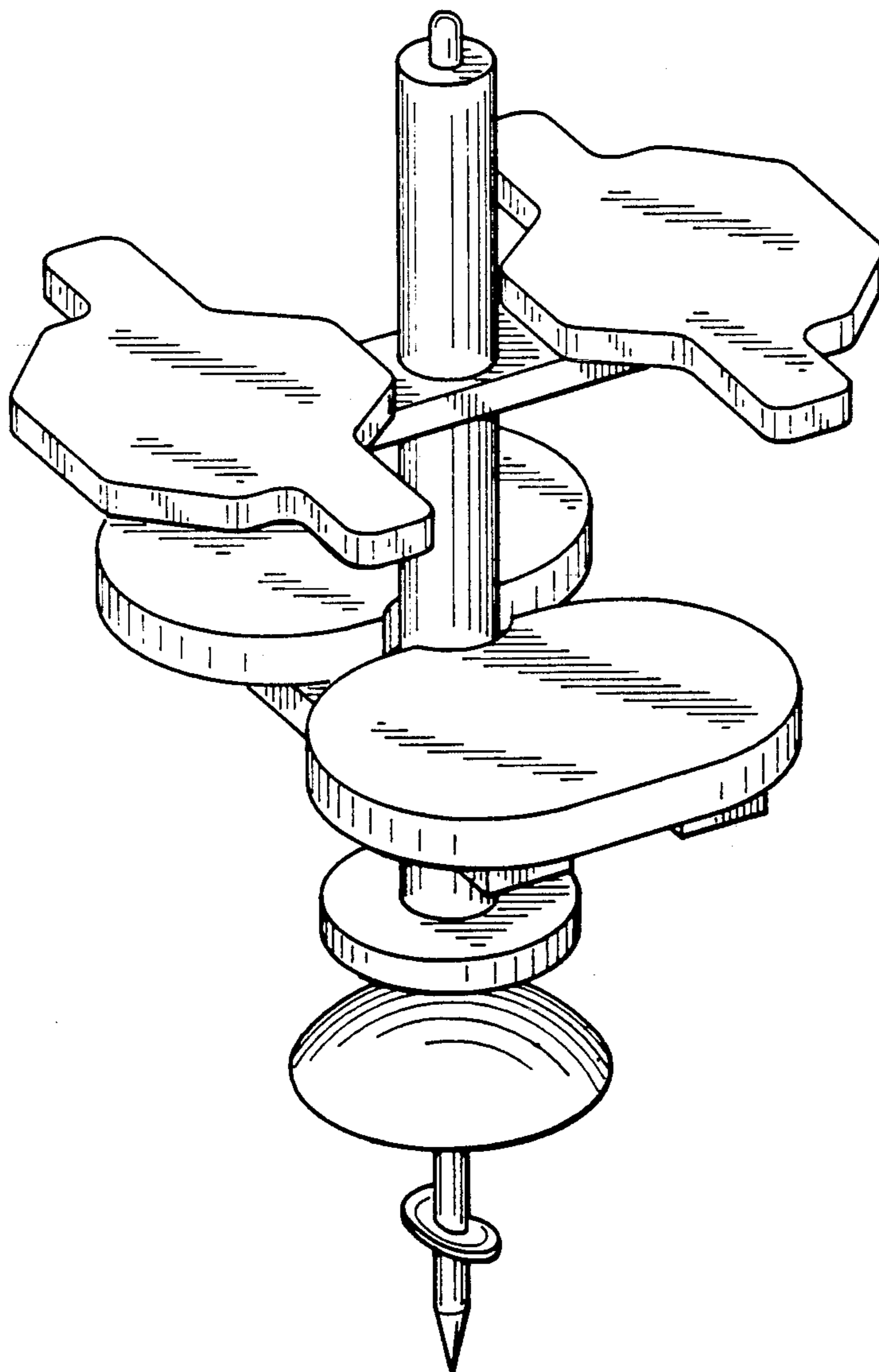
DESCRIPTION

[56] References Cited

U.S. PATENT DOCUMENTS

D. 218,848 9/1970 Woods D34/6
D. 248,364 7/1978 Allen D34/6
1,112,558 10/1914 Red 211/71

FIG. 1 is a front elevational view of a trash can stand showing my new design;
FIG. 2 is a rear elevational view thereof;
FIG. 3 is a left side elevational view thereof;
FIG. 4 is a right side elevational view thereof;
FIG. 5 is a top plan view thereof;
FIG. 6 is a bottom plan view thereof; and,
FIG. 7 is a perspective view thereof.



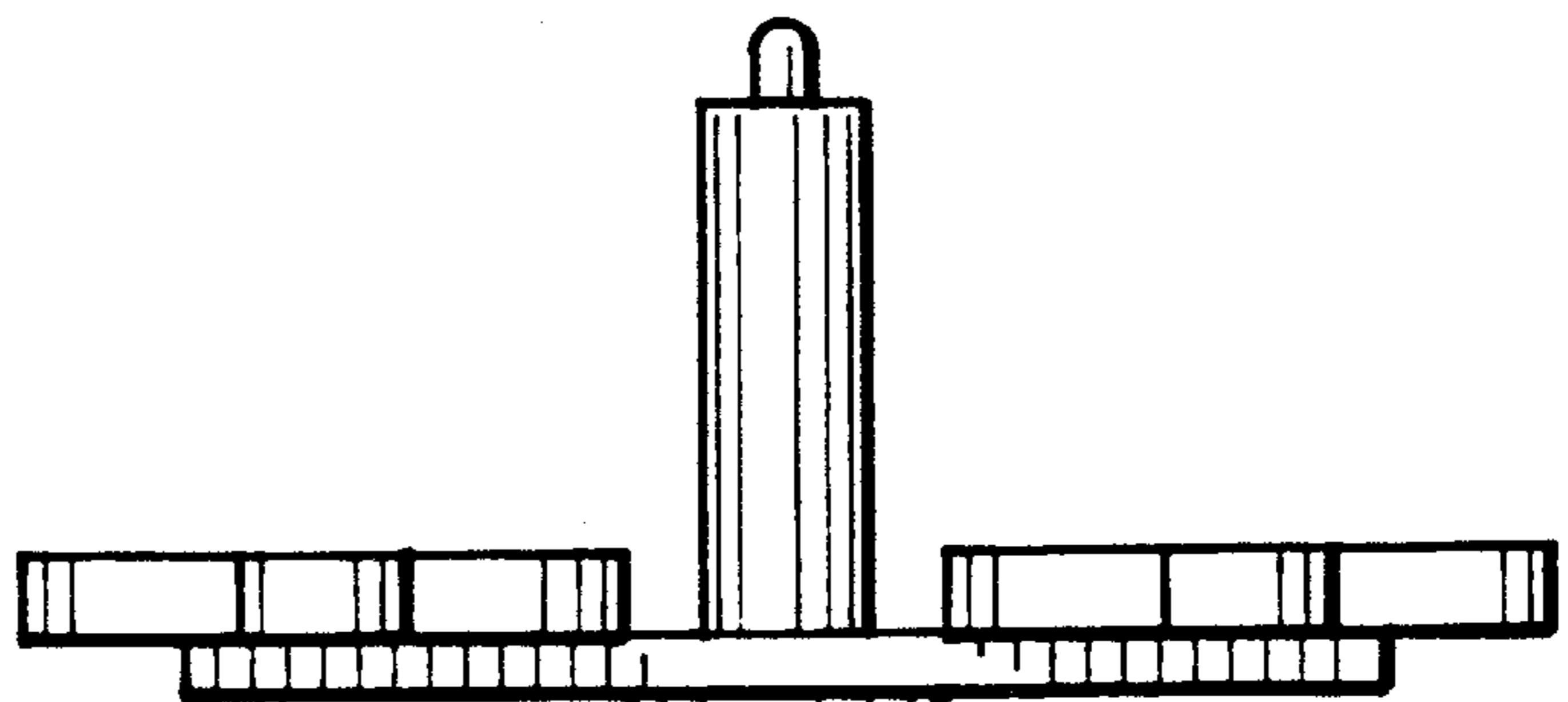


Fig. 1

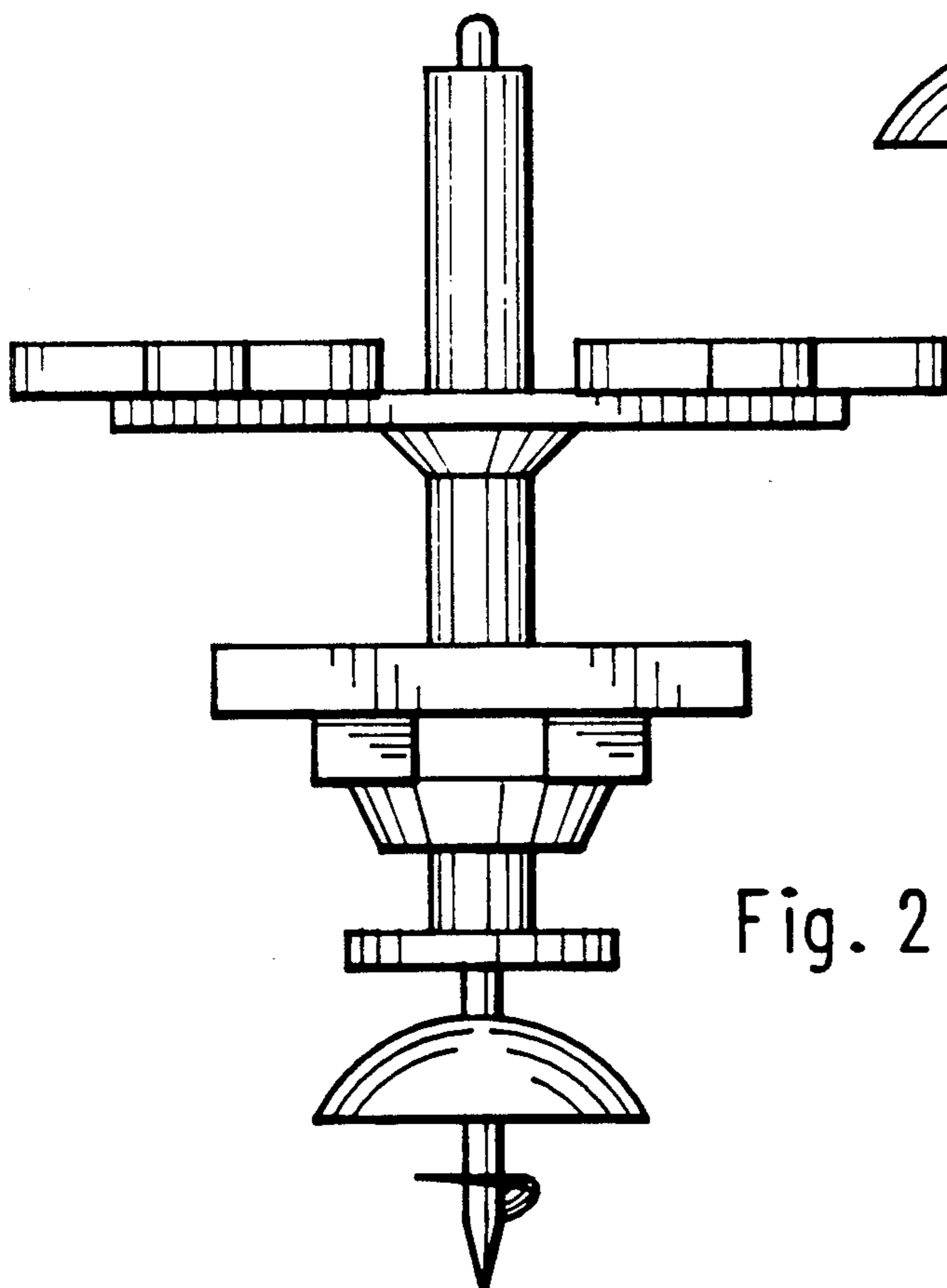
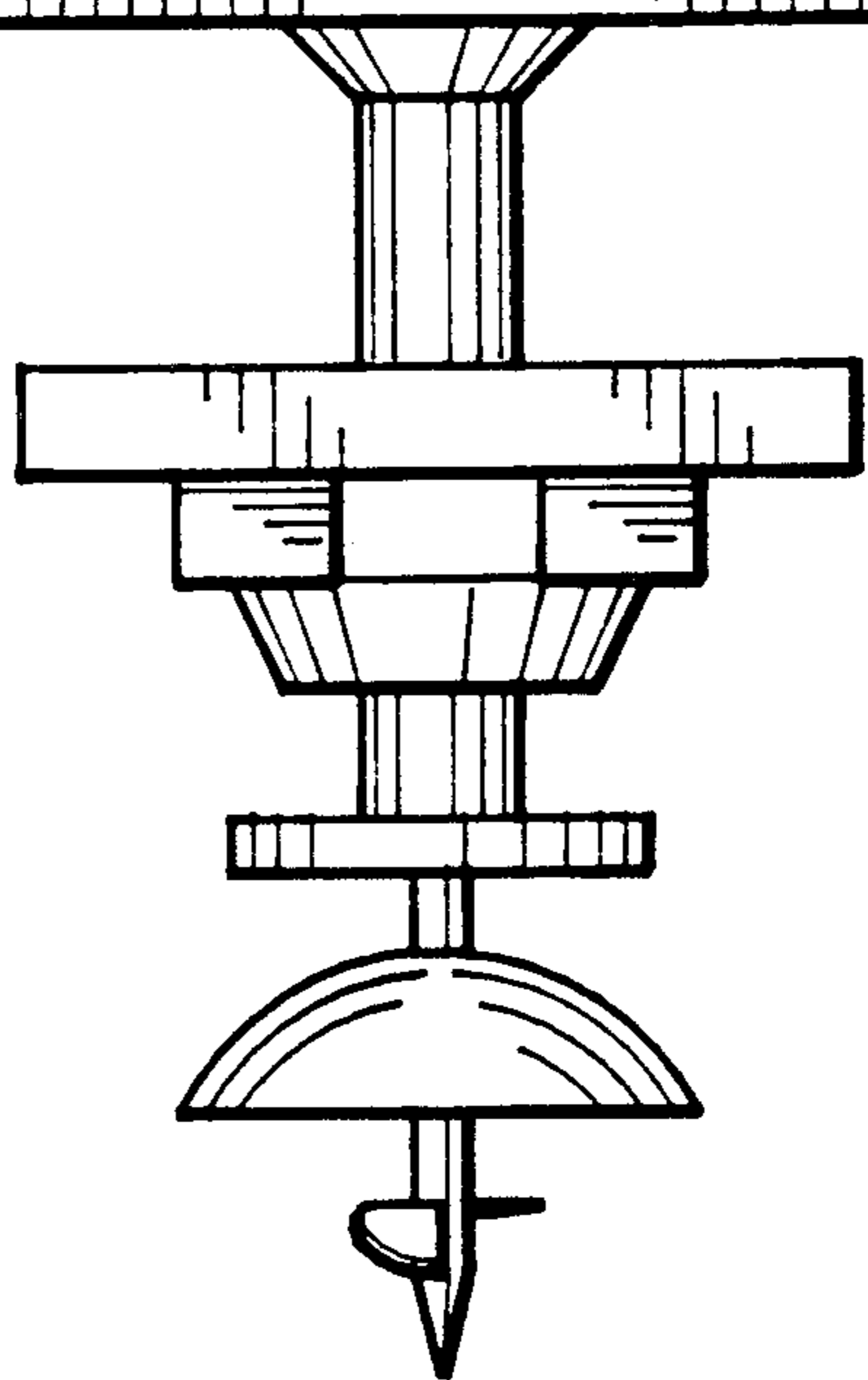


Fig. 2

Fig. 3

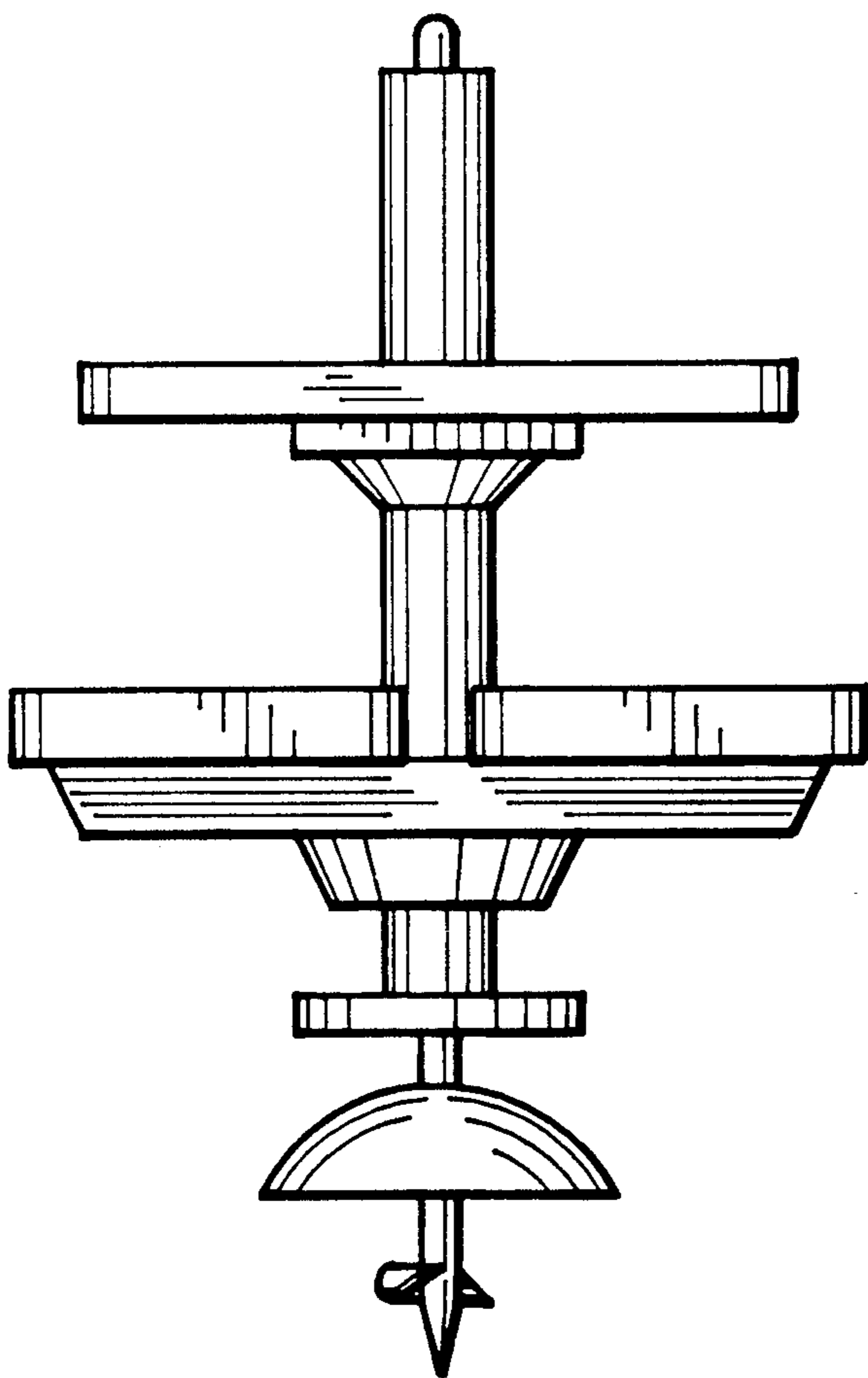
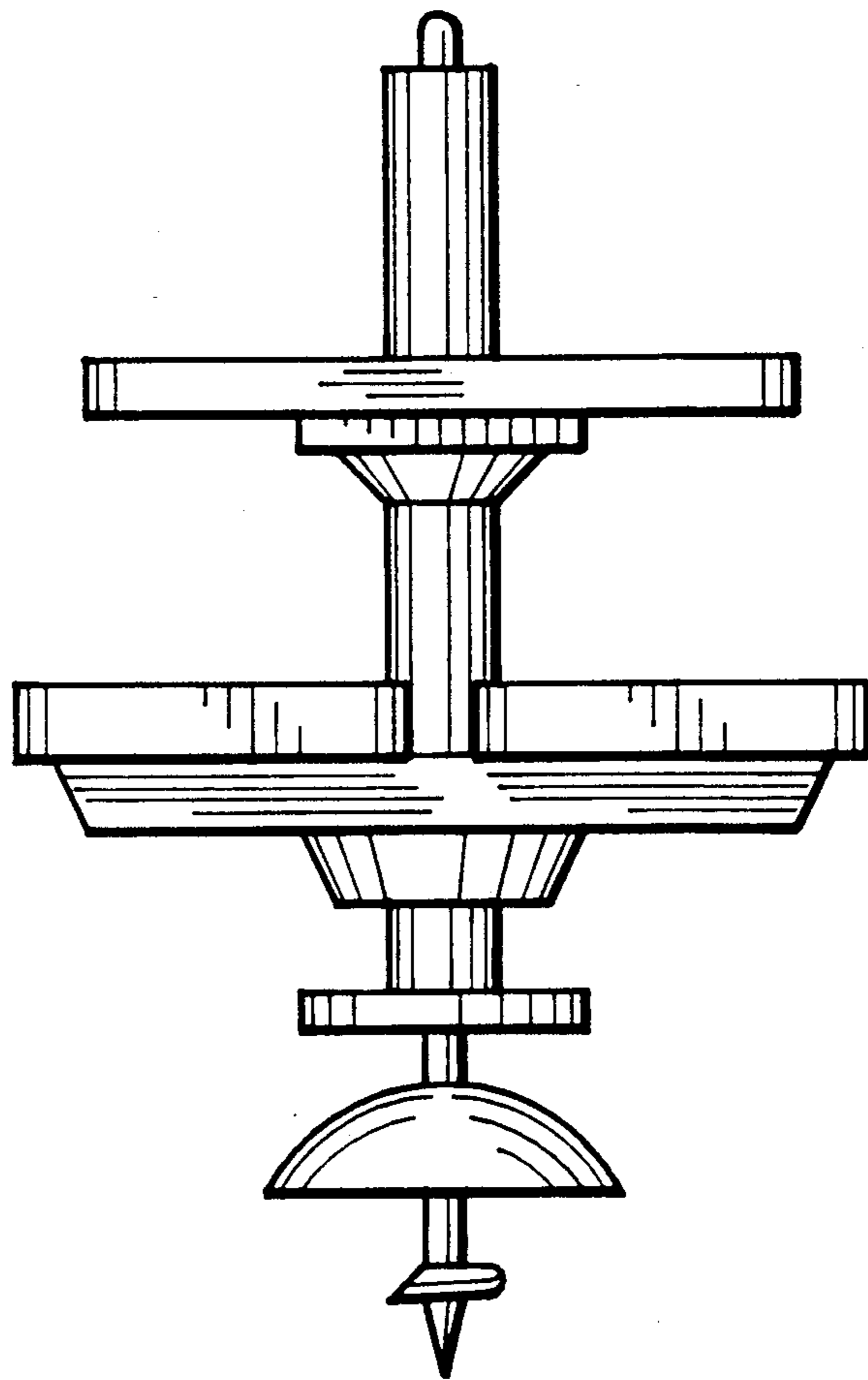


Fig. 4

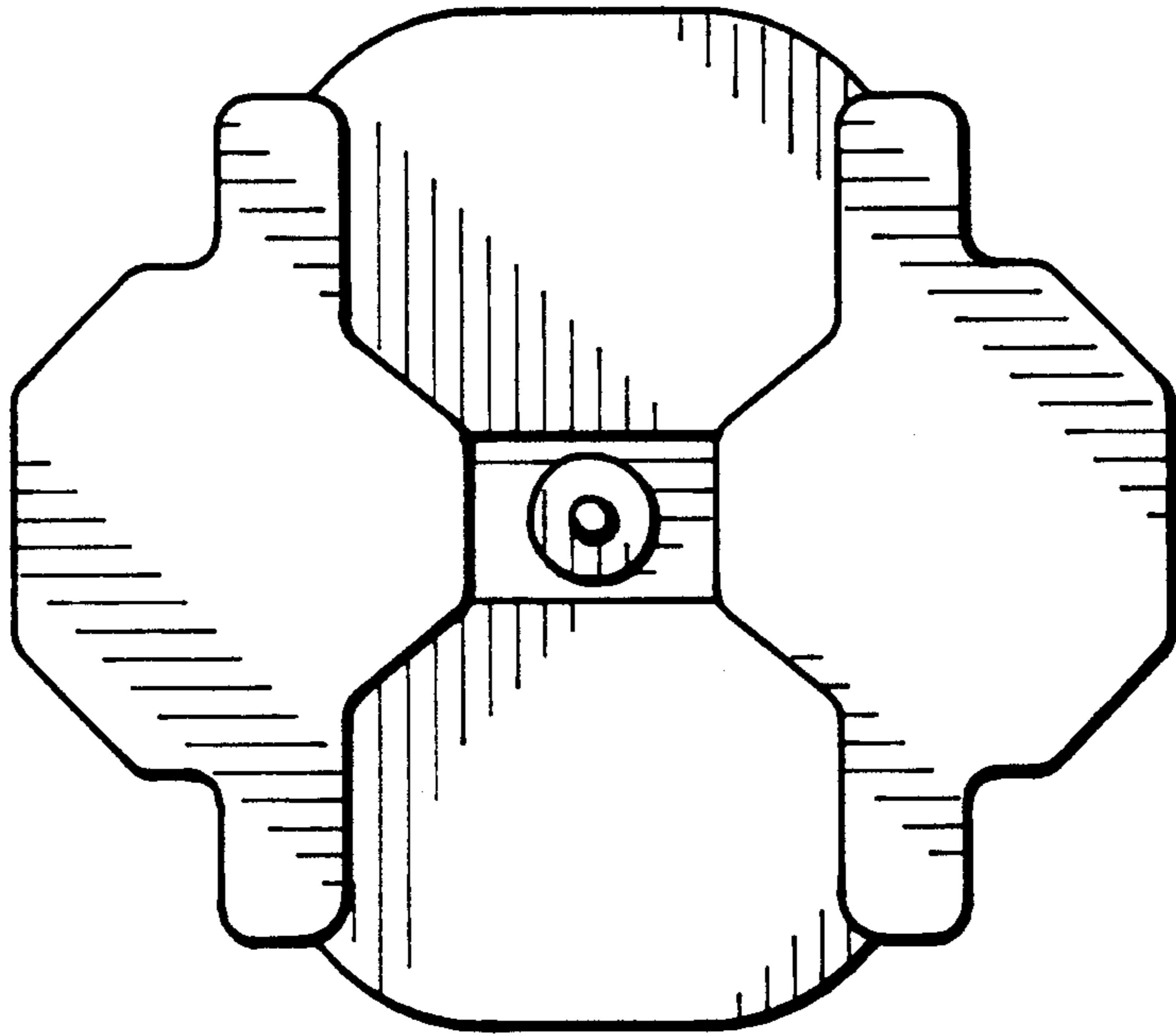


Fig. 5

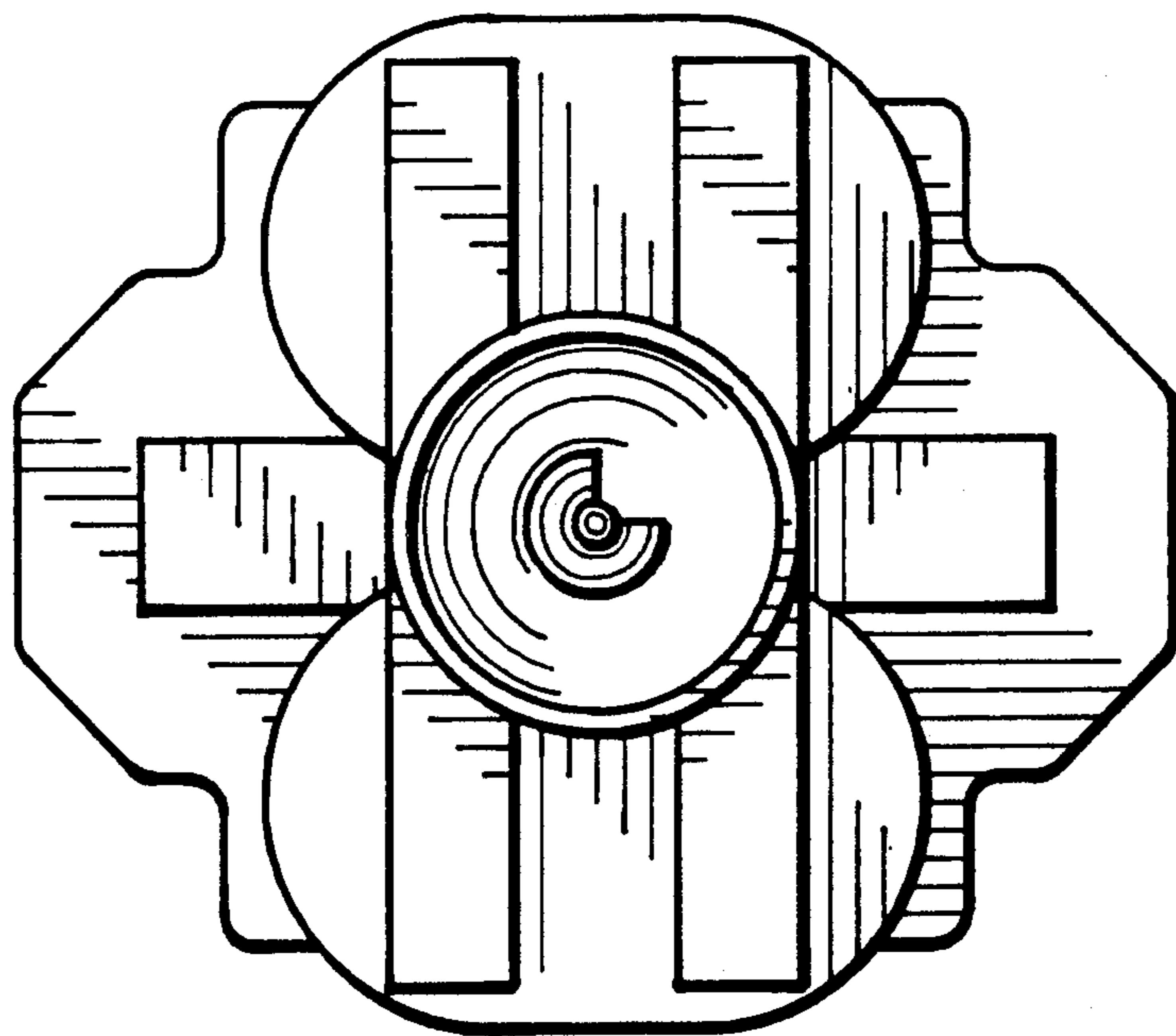


Fig. 6

