



US00D325452S

United States Patent [19]

[11] Patent Number: **Des. 325,452**

Gefter

[45] Date of Patent: **** Apr. 14, 1992**

[54] **UNDERWATER POOL CLEANER**

D. 315,624	3/1999	Kimura et al.	D32/23
4,306,329	12/1981	Yokoi	15/412
4,776,953	10/1988	Frentzel	15/1.7

[75] Inventor: **Alexander A. Gefter**, San Francisco, Calif.

Primary Examiner—A. Hugo Word
Assistant Examiner—Ruth McInroy
Attorney, Agent, or Firm—Limbach & Limbach

[73] Assignee: **Arneson Products, Inc.**, Fairfield, Calif.

[**] Term: **14 Years**

[57] **CLAIM**

[21] Appl. No.: **594,191**

The ornamental design for an underwater pool cleaner, as shown and described.

[22] Filed: **Oct. 9, 1990**

[52] U.S. Cl. **D32/21**

DESCRIPTION

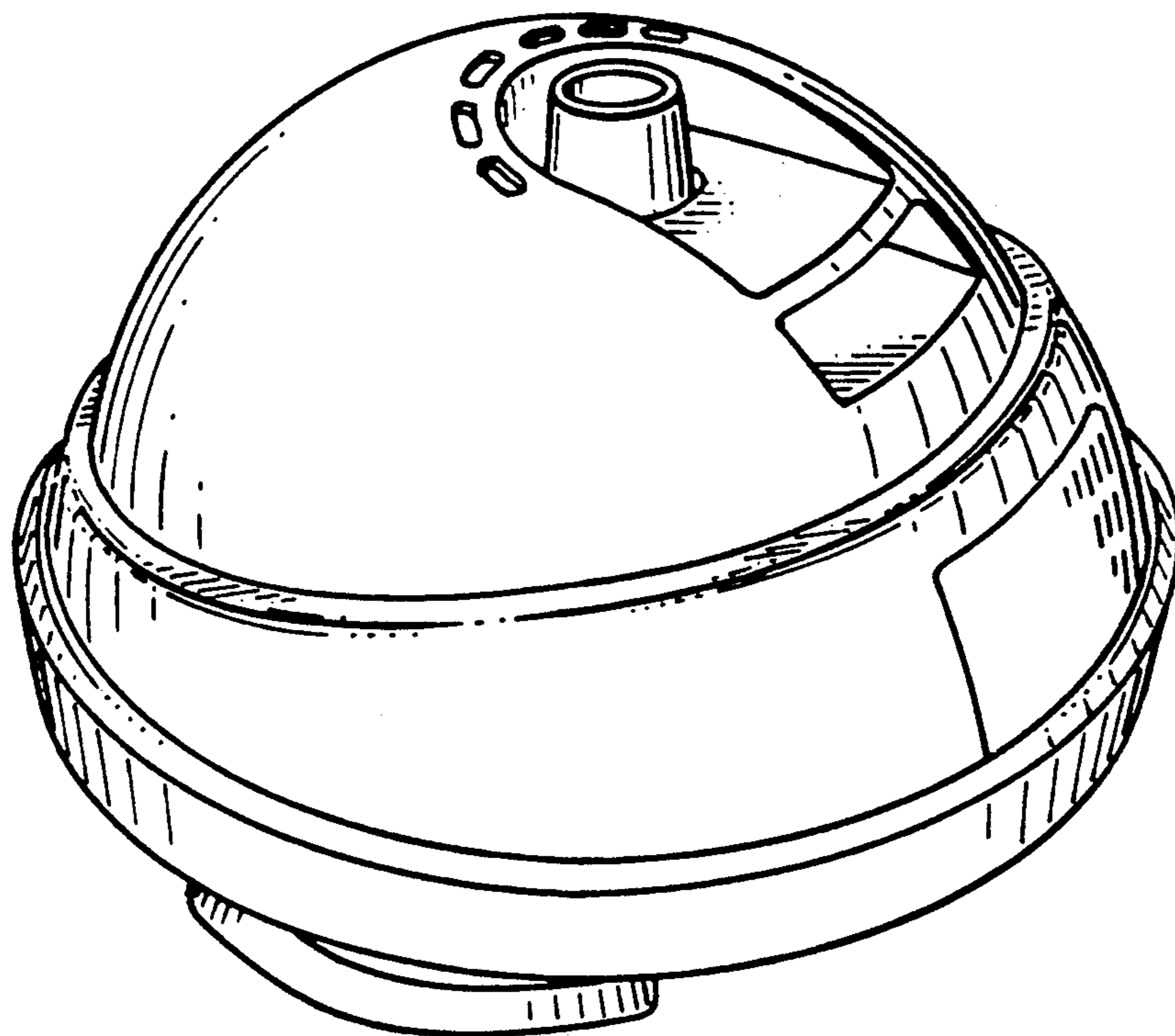
[58] Field of Search **D32/1, 15, 17-18, D32/21, 23-24; 15/300.1, 327.1, 327.2, 327.7, 353, 412, 1.7; 210/169, 242.1, 416.2, 407**

FIG. 1 is a perspective view of an underwater pool cleaner showing my new design;
FIG. 2 is a top plan view thereof;
FIG. 3 is a left side elevational view thereof, the right side being a mirror image;
FIG. 4 is a front elevational view thereof;
FIG. 5 is a rear elevational view thereof; and,
FIG. 6 is a bottom plan view thereof.

[56] **References Cited**

U.S. PATENT DOCUMENTS

D. 280,561	9/1985	Gard	D32/1
D. 304,505	11/1989	Maier et al.	D32/23



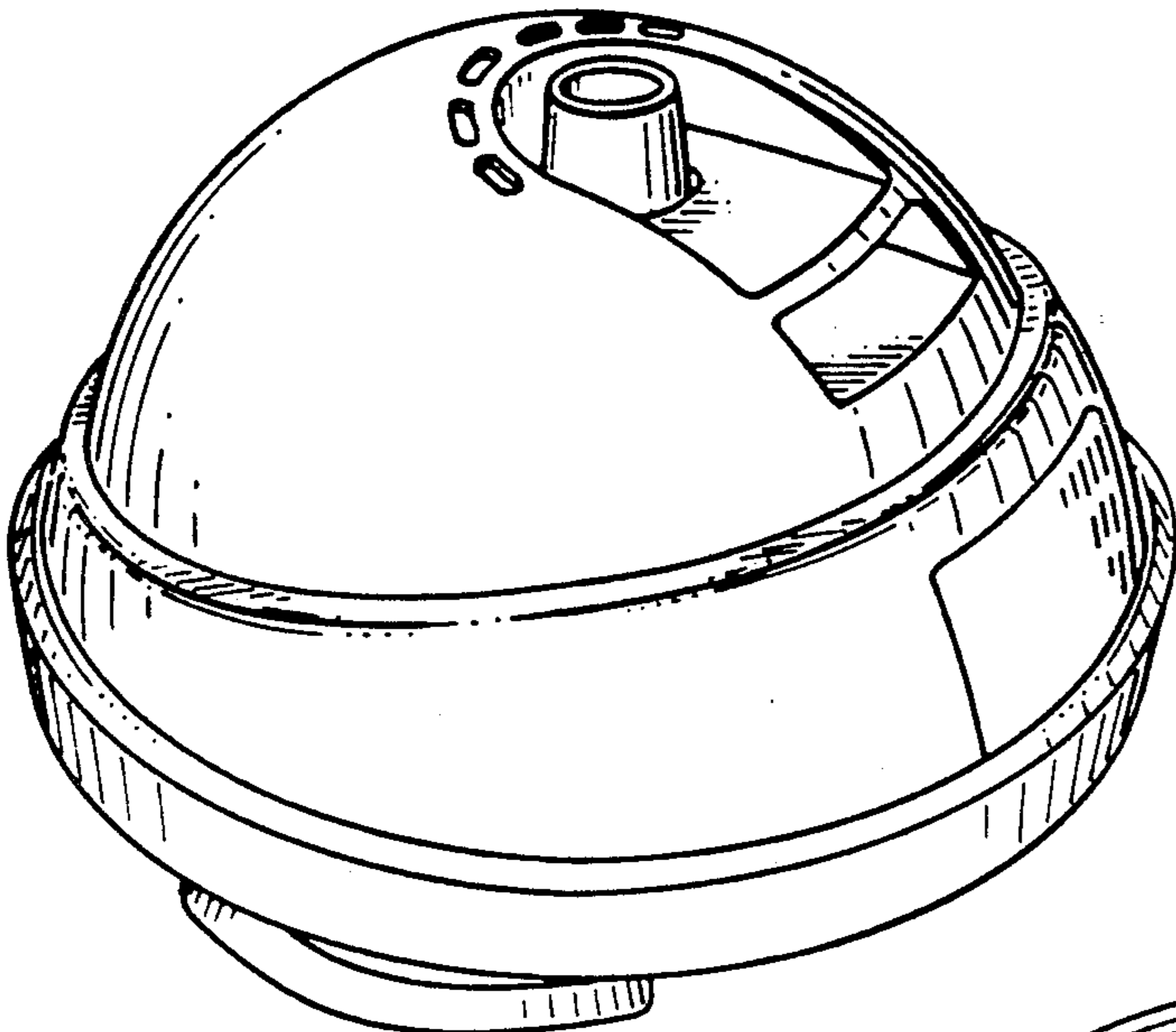


FIG. 1.

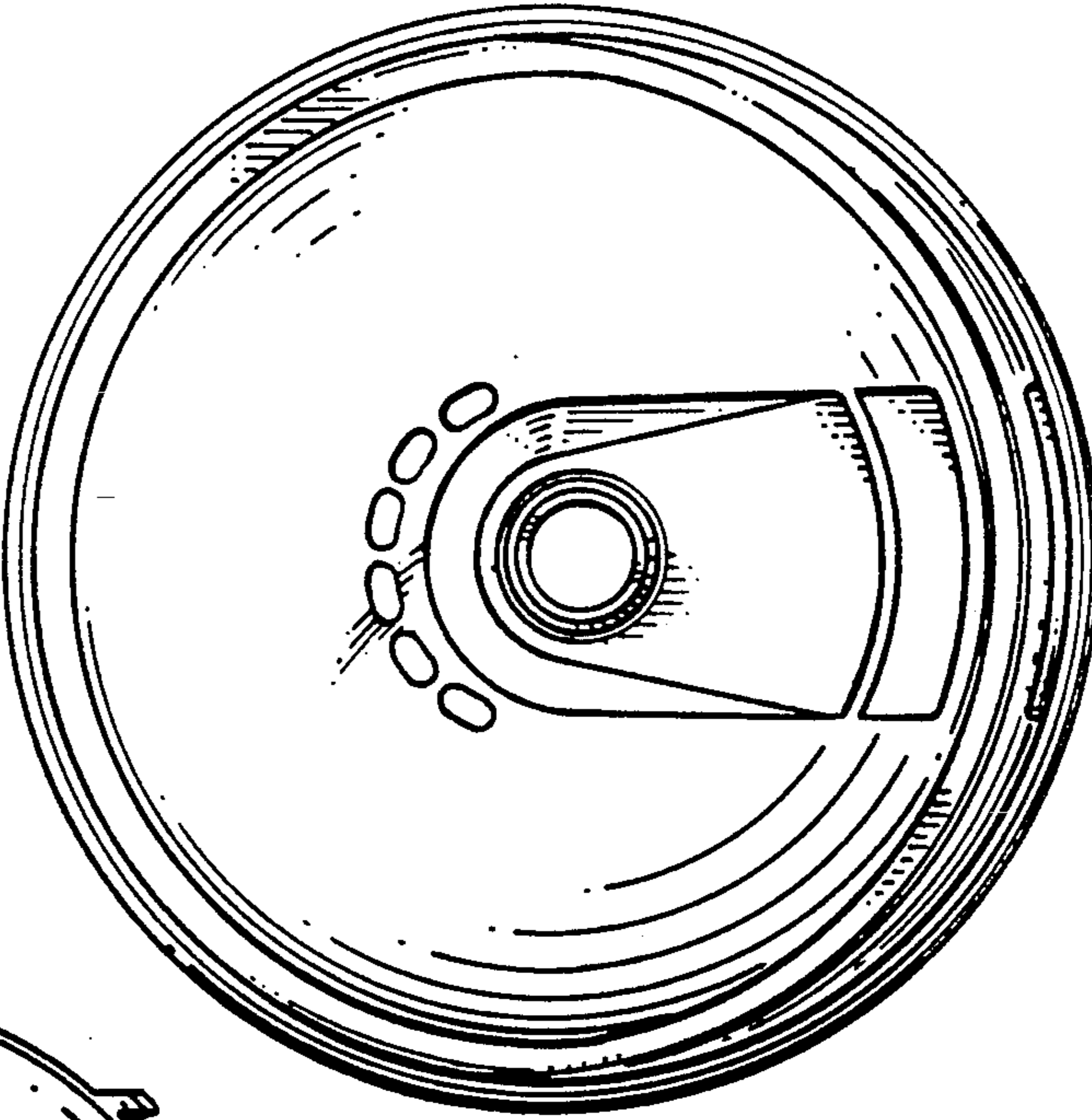


FIG. 2.

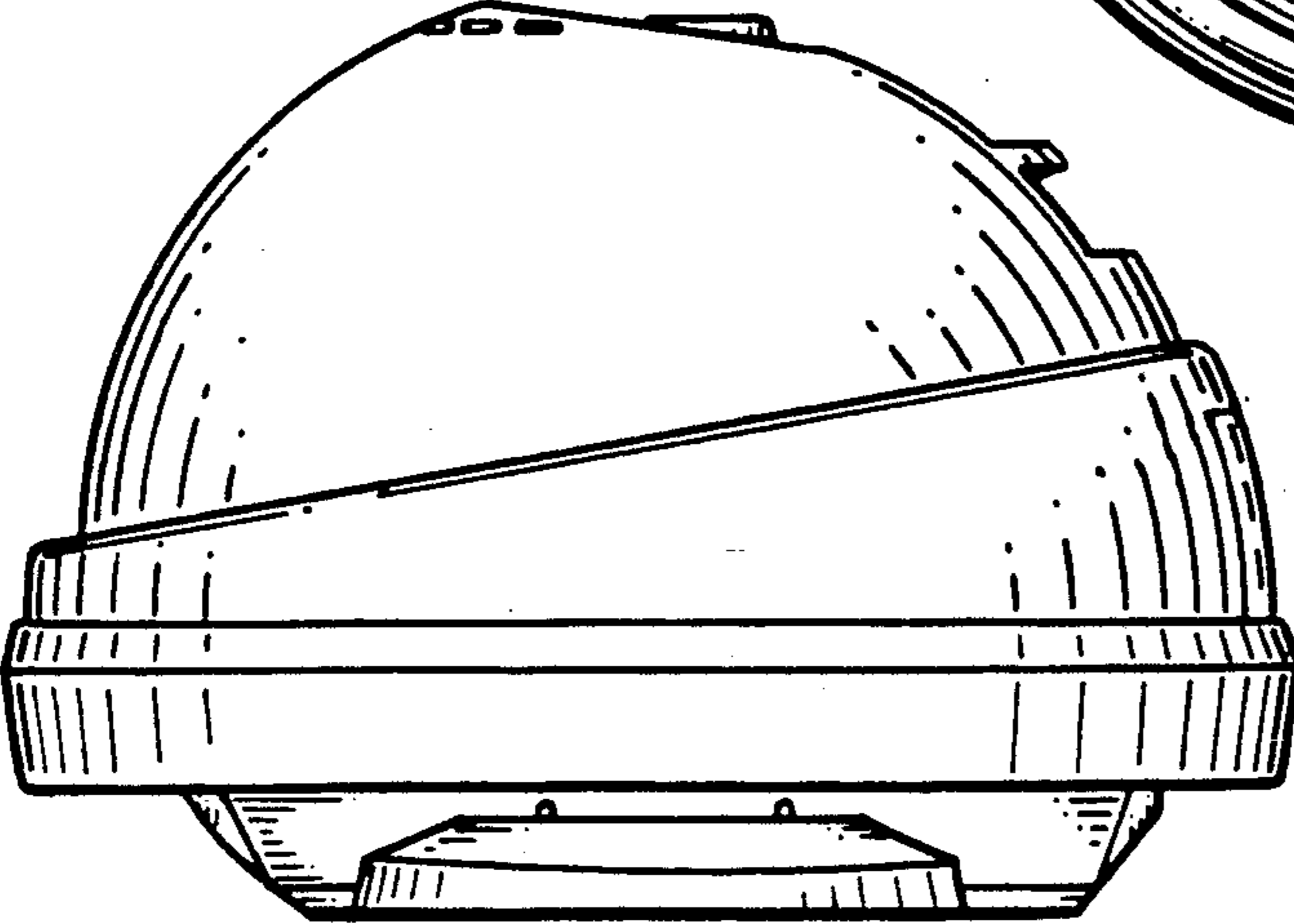


FIG. 3.

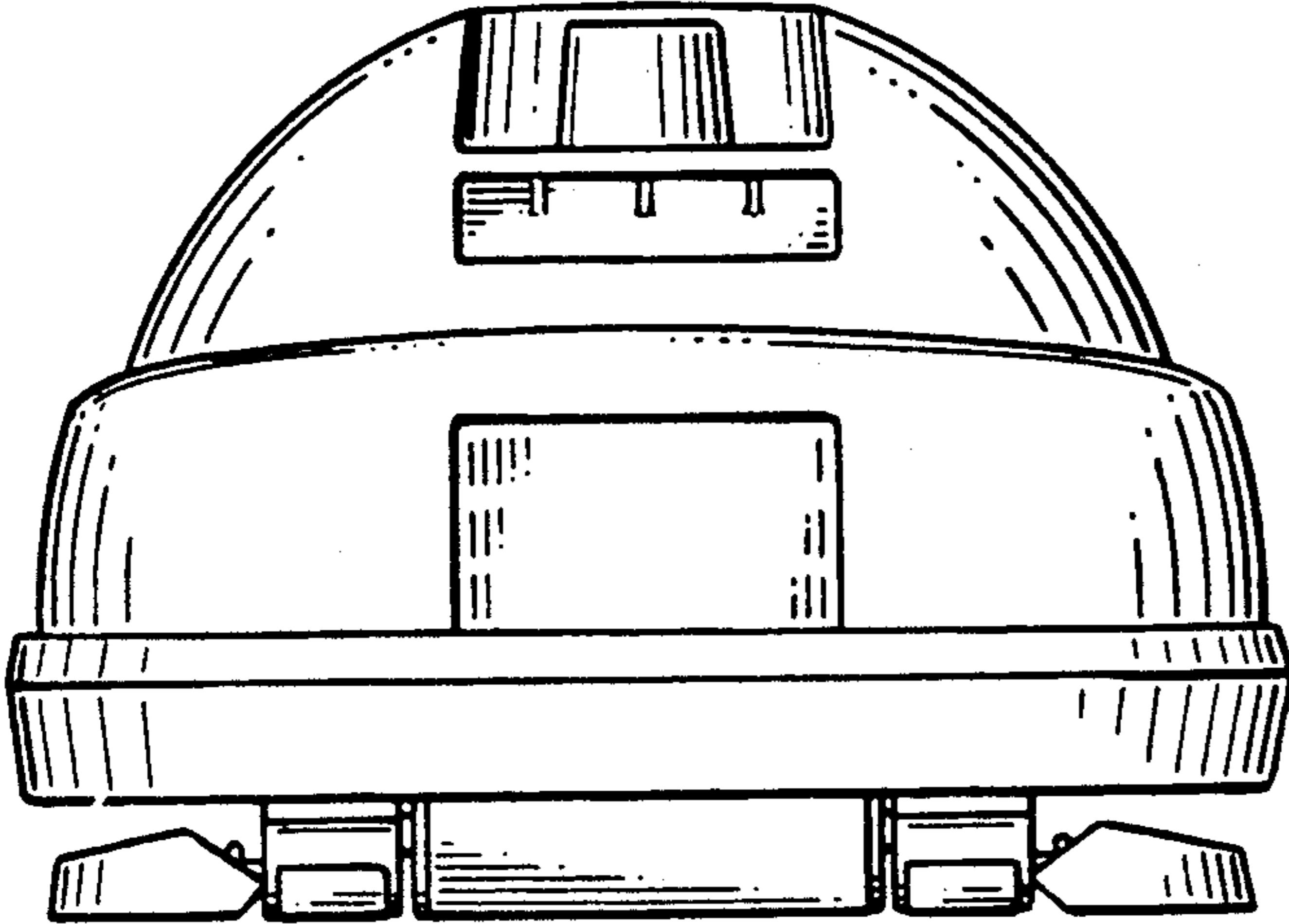


FIG. 4.

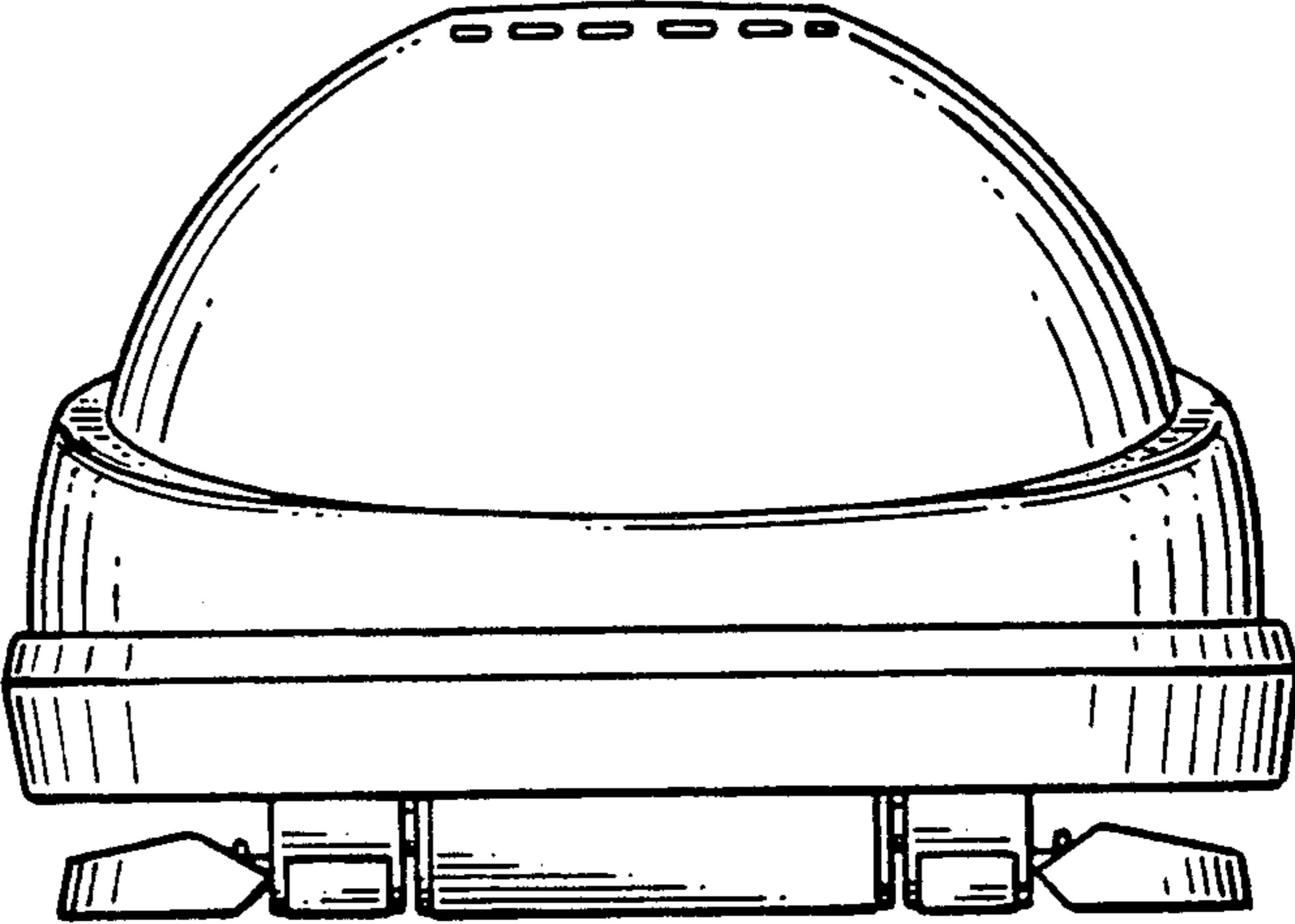


FIG. 5.

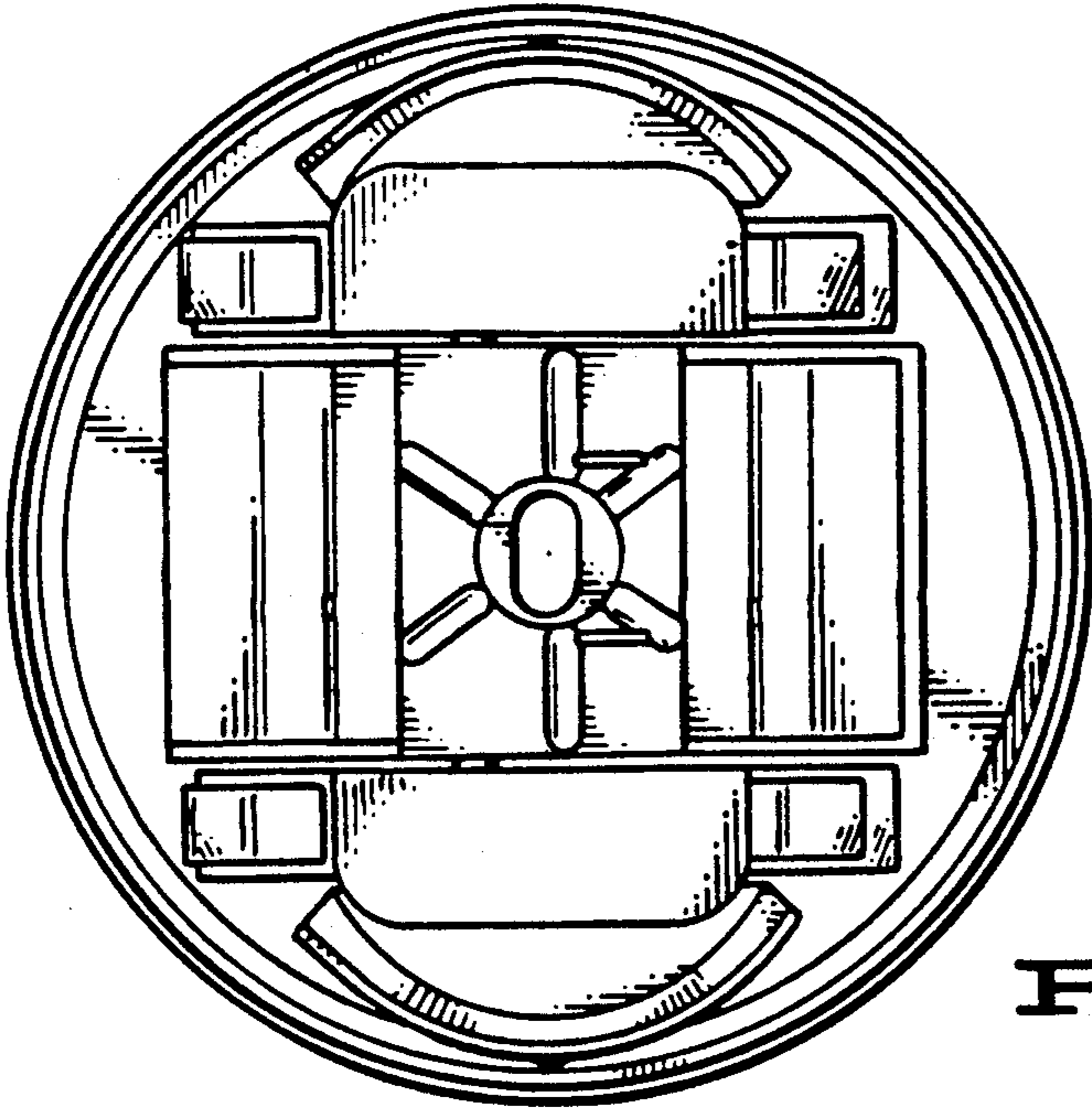


FIG. 6.