



US00D325451S

United States Patent [19]

[11] Patent Number: **Des. 325,451**

Pino

[45] Date of Patent: **** Apr. 14, 1992**

[54] **VACUUM CLEANER**

[75] Inventor: **Giovanni Pino, Kentwood, Mich.**

[73] Assignee: **Bissell, Inc., Grand Rapids, Mich.**

[**] Term: **14 Years**

[21] Appl. No.: **479,595**

[22] Filed: **Feb. 13, 1990**

[52] U.S. Cl. **D32/21**

[58] Field of Search **D32/23, 24; 15/412, 15/327.1, 327.2, 327.6, 327.7, 347**

[56] **References Cited**

U.S. PATENT DOCUMENTS

D. 263,959	4/1982	Ernest et al.	D32/21
D. 270,298	8/1983	Ayukawa et al.	D32/21
D. 279,321	6/1985	Schoettler	D32/24
D. 318,155	7/1991	Goodrich	D32/24

Primary Examiner—Louis S. Zarfes

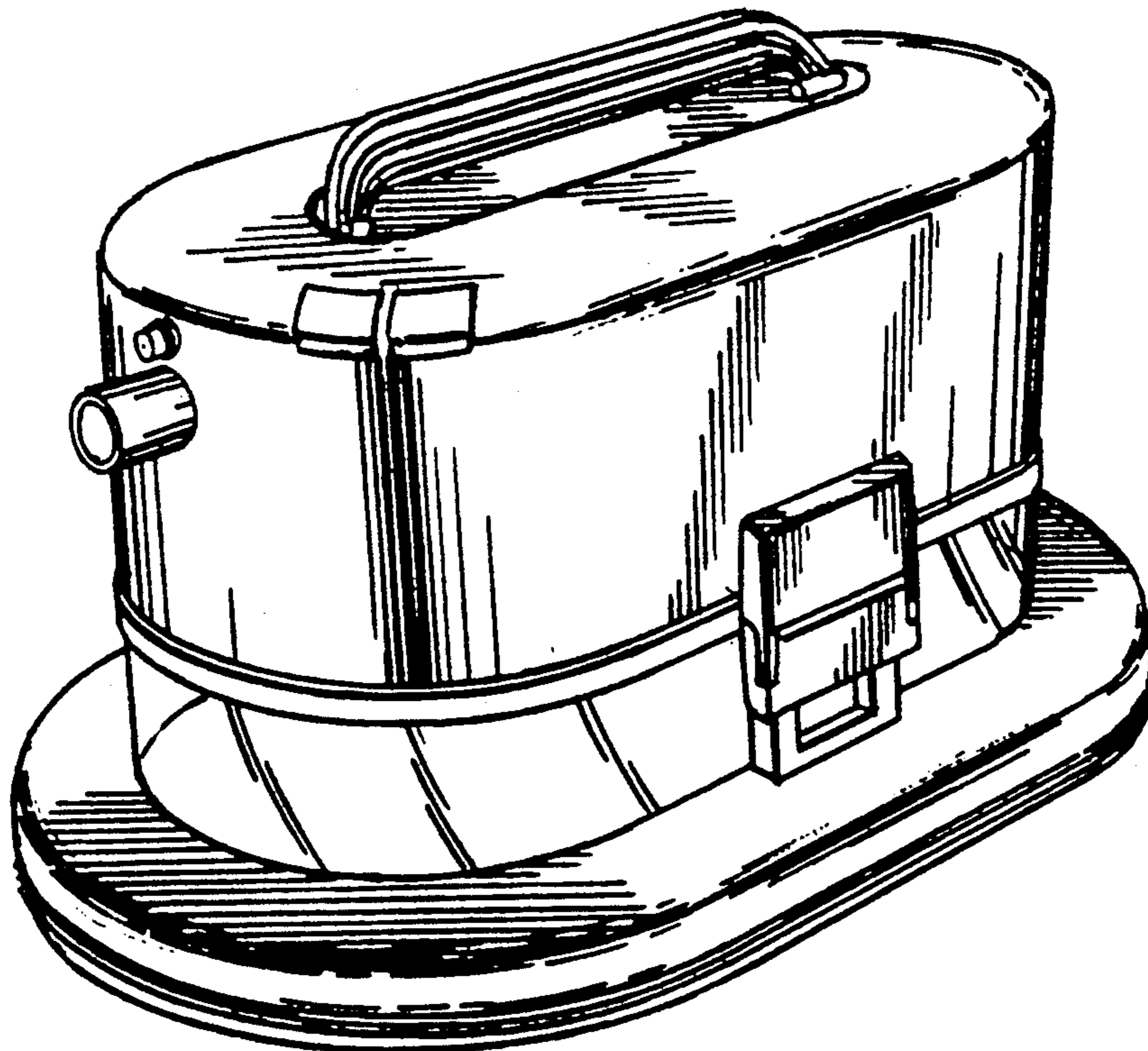
Assistant Examiner—Ruth McInroy
Attorney, Agent, or Firm—Price, Heneveld, Cooper, DeWitt & Litton

[57] **CLAIM**

The ornamental design for a vacuum cleaner, as shown and described.

DESCRIPTION

FIG. 1 is a perspective view of a vacuum cleaner showing my new design, with the handle shown in an upright position;
FIG. 2 is a top plan view thereof, with the handle in a lowered position;
FIG. 3 is a side elevational view thereof;
FIG. 4 is a side elevational view thereof, of the opposite side of FIG. 3;
FIG. 5 is an end elevational view thereof;
FIG. 6 is an end elevational view thereof, of the opposite side of FIG. 5; and,
FIG. 7 is a bottom plan view thereof.



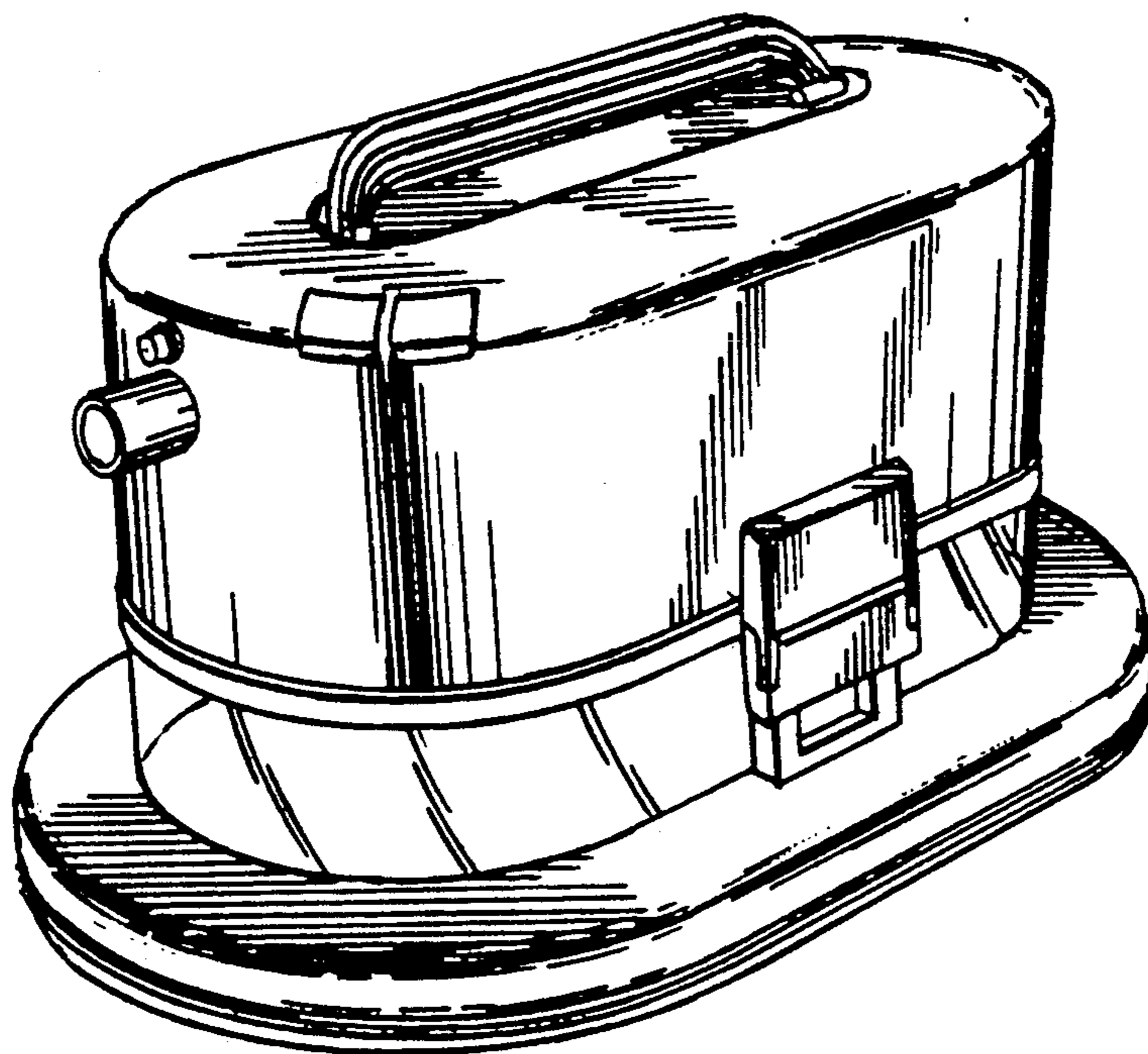


Fig. 1.

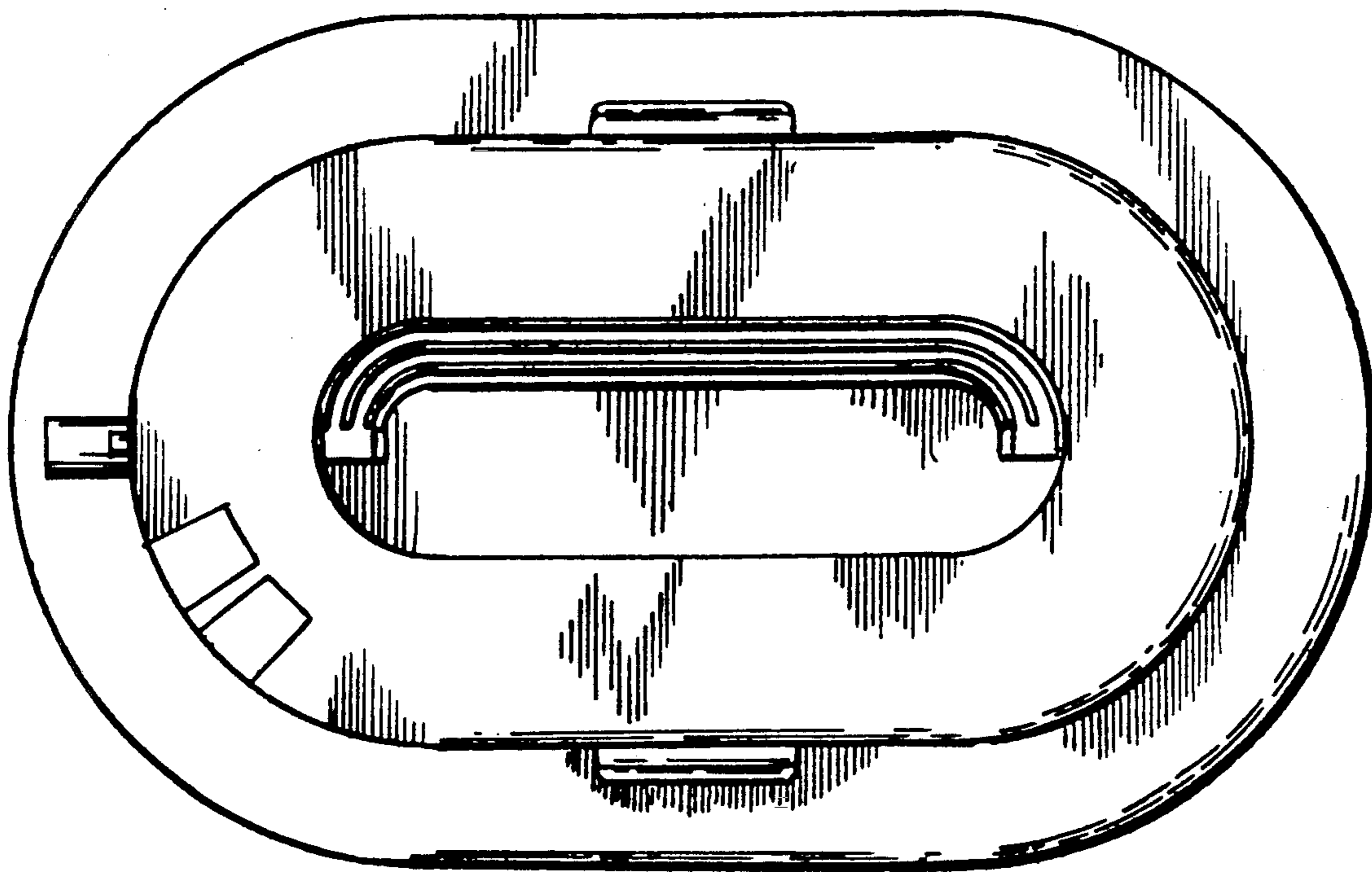


Fig. 2.

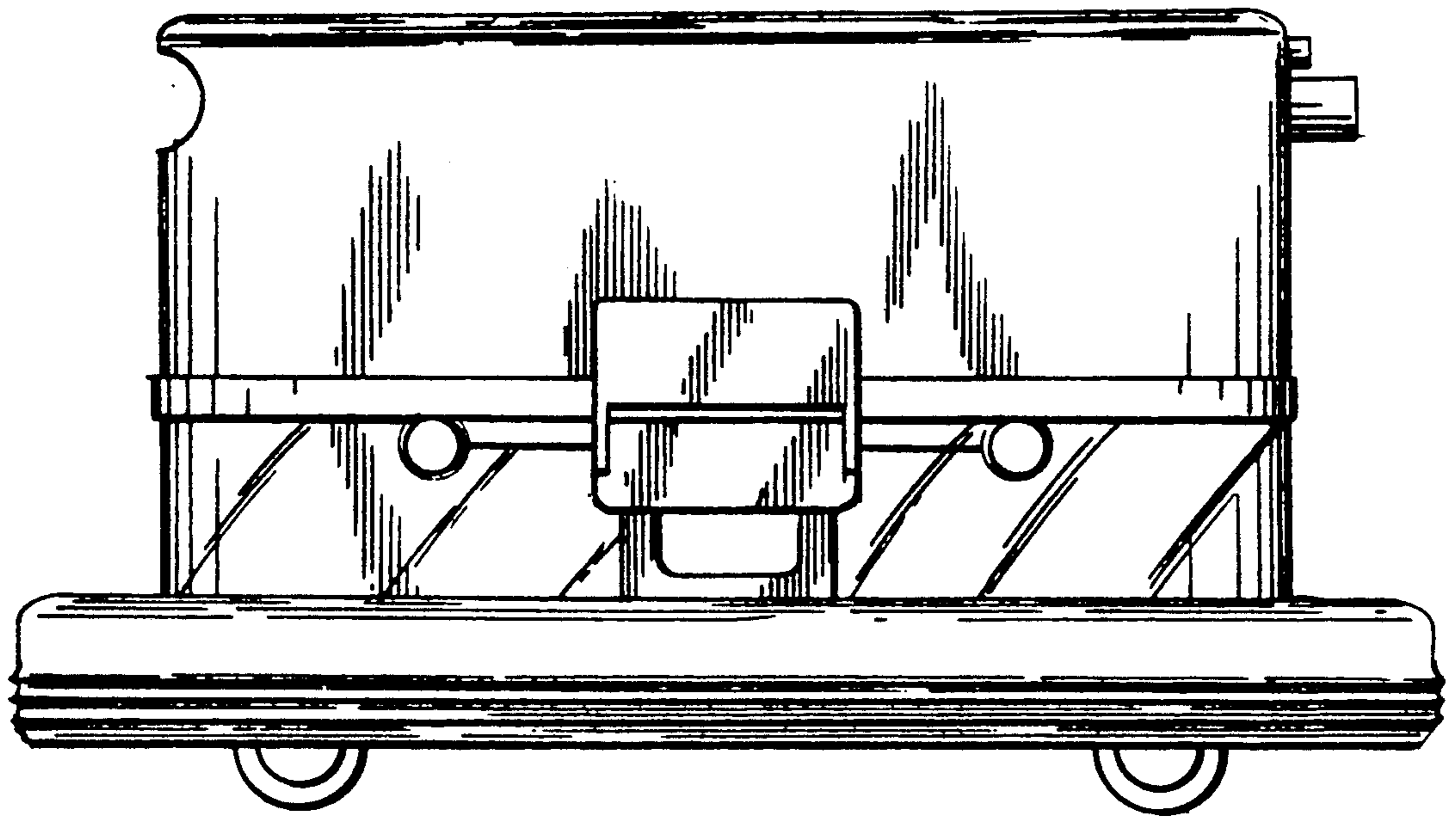


Fig. 3.

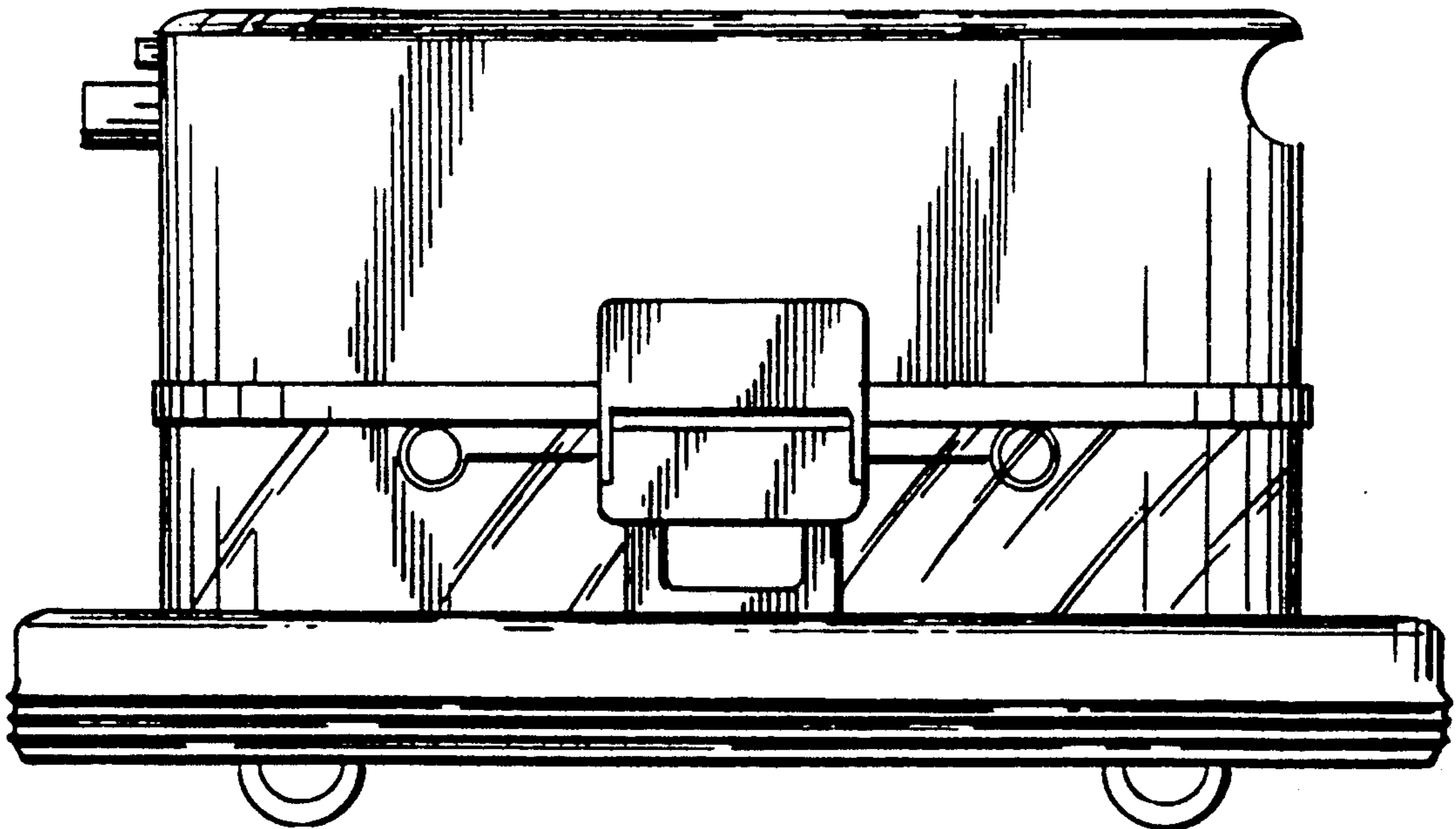


Fig. 4.

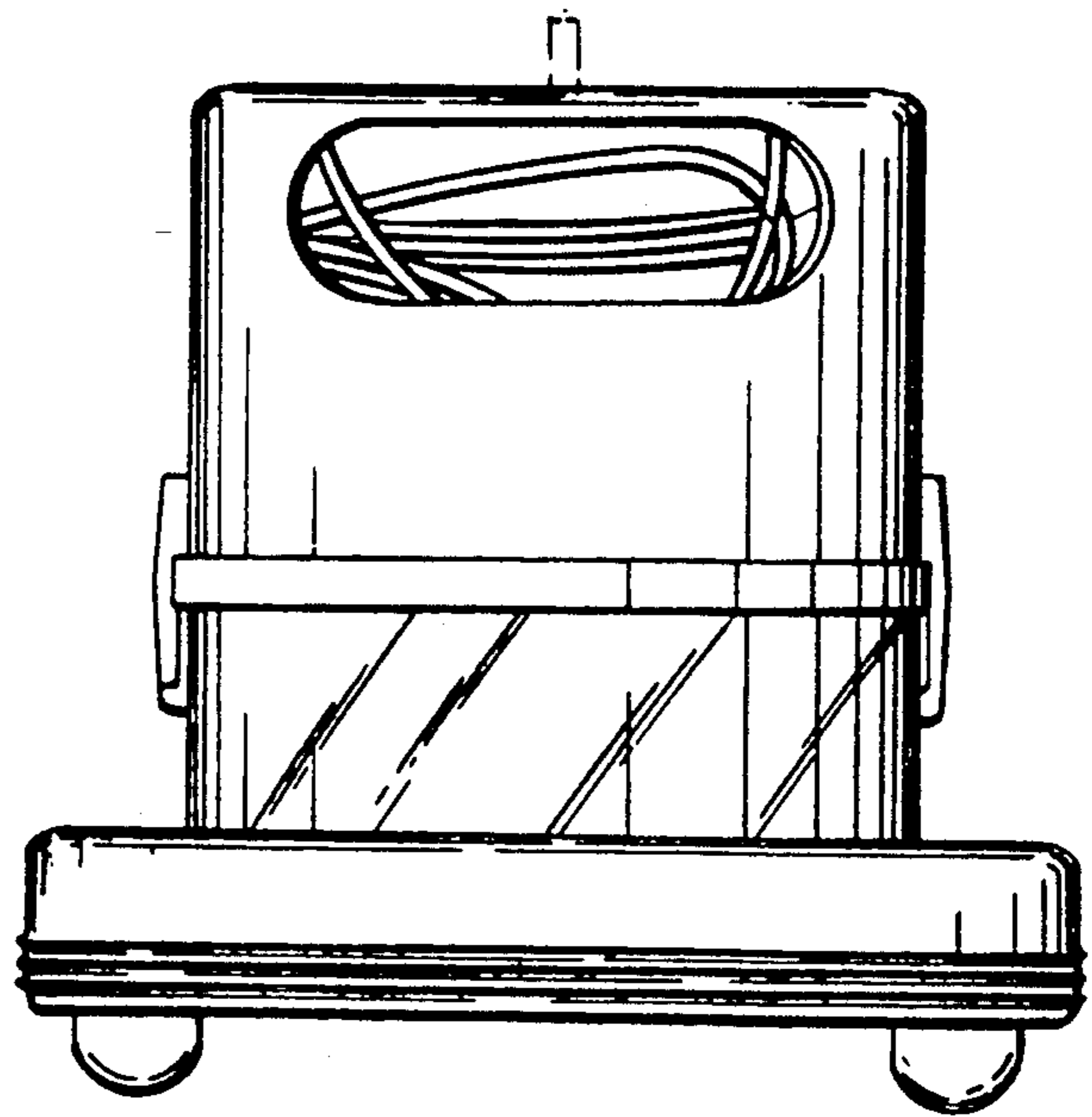


Fig. 5.

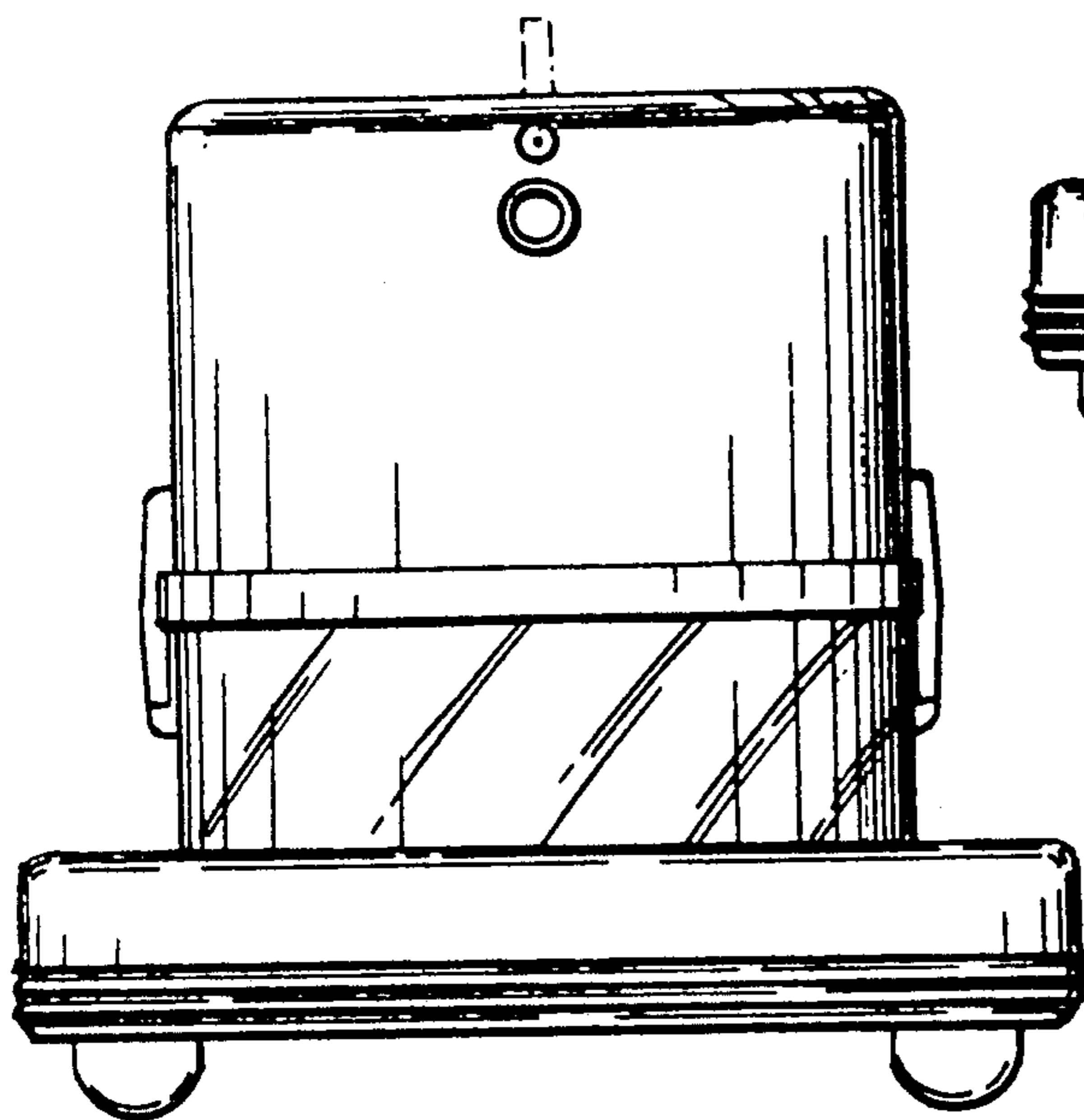


Fig. 6.

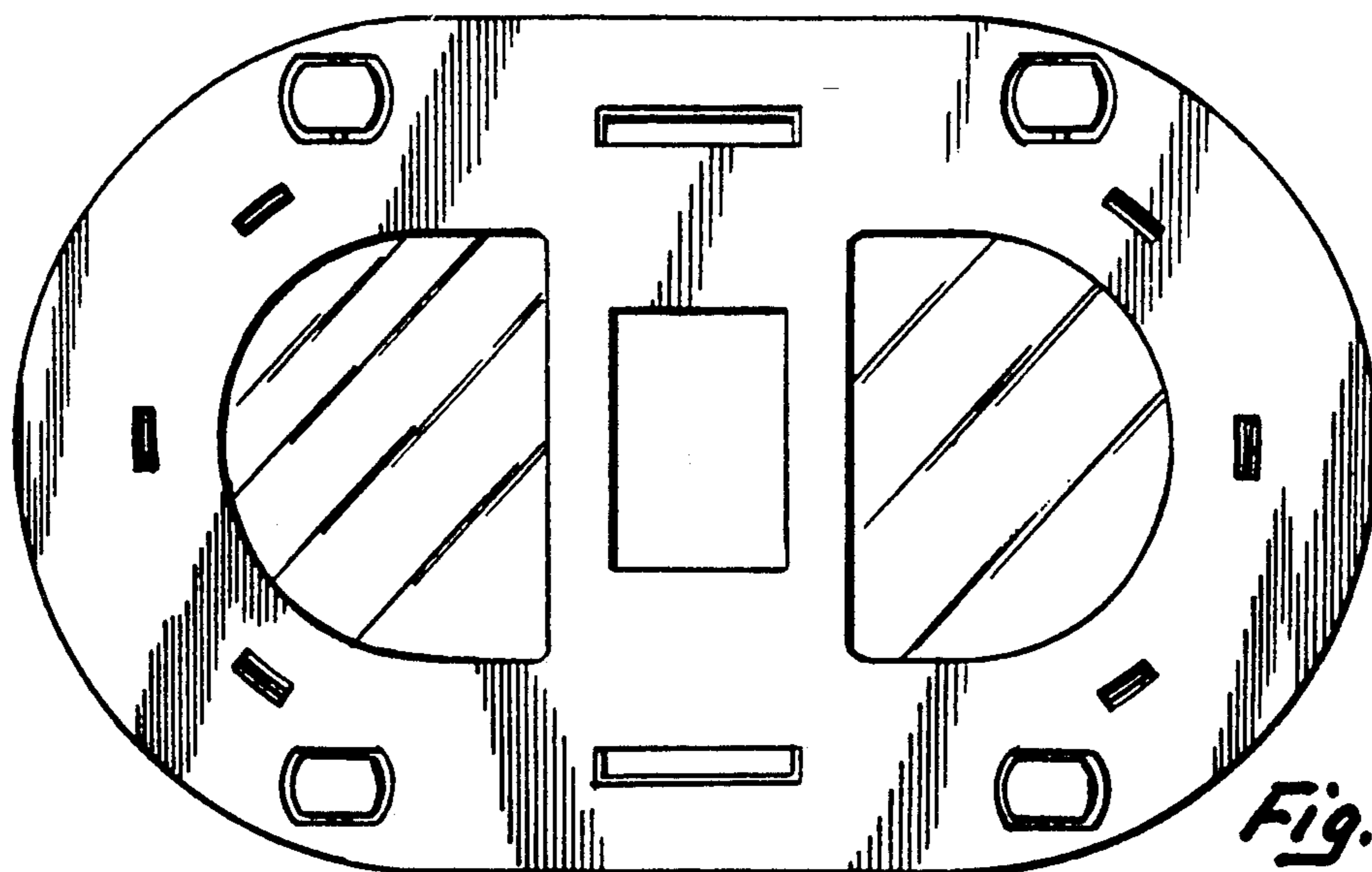


Fig. 7.