



US00D325450S

United States Patent [19]

[11] Patent Number: **Des. 325,450**

Barrault

[45] Date of Patent: **** Apr. 14, 1992**

[54] **VACUUM CLEANER**

[76] Inventor: **Jean-Louis Barrault**, 102, rue du Chateau, F-92100 Boulogne-Billancourt, France

[**] Term: **14 Years**

[21] Appl. No.: **376,602**

[22] Filed: **Jul. 7, 1989**

[30] **Foreign Application Priority Data**

Jan. 9, 1989 [FR] France 890129

[52] U.S. Cl. **D32/21**

[58] Field of Search **D32/23-24;**
15/412, 327.1, 327.2, 327.6, 327.7, 347

[56] **References Cited**

U.S. PATENT DOCUMENTS

D. 296,944 7/1988 Yamamoto et al. D32/31
D. 302,877 8/1989 Van Asten et al. D32/21

D. 311,613 10/1990 Kuriya D32/21
D. 311,614 10/1990 Hirano et al. D32/21
D. 313,680 1/1991 Ichihara et al. D32/21
D. 318,937 8/1991 Shinozaki et al. D32/21

Primary Examiner—A. Hugo Word
Assistant Examiner—Ruth McInroy
Attorney, Agent, or Firm—Young & Thompson

[57] CLAIM

The ornamental design for a vacuum cleaner, as shown and described.

DESCRIPTION

FIG. 1 is a top, front and side perspective view of a vacuum cleaner showing my new design;
FIG. 2 is a side elevational view thereof, the opposite side being a mirror image;
FIG. 3 is a top plan view thereof;
FIG. 4 is a bottom plan view thereof;
FIG. 5 is a front elevational view thereof; and,
FIG. 6 is a rear elevational view thereof.

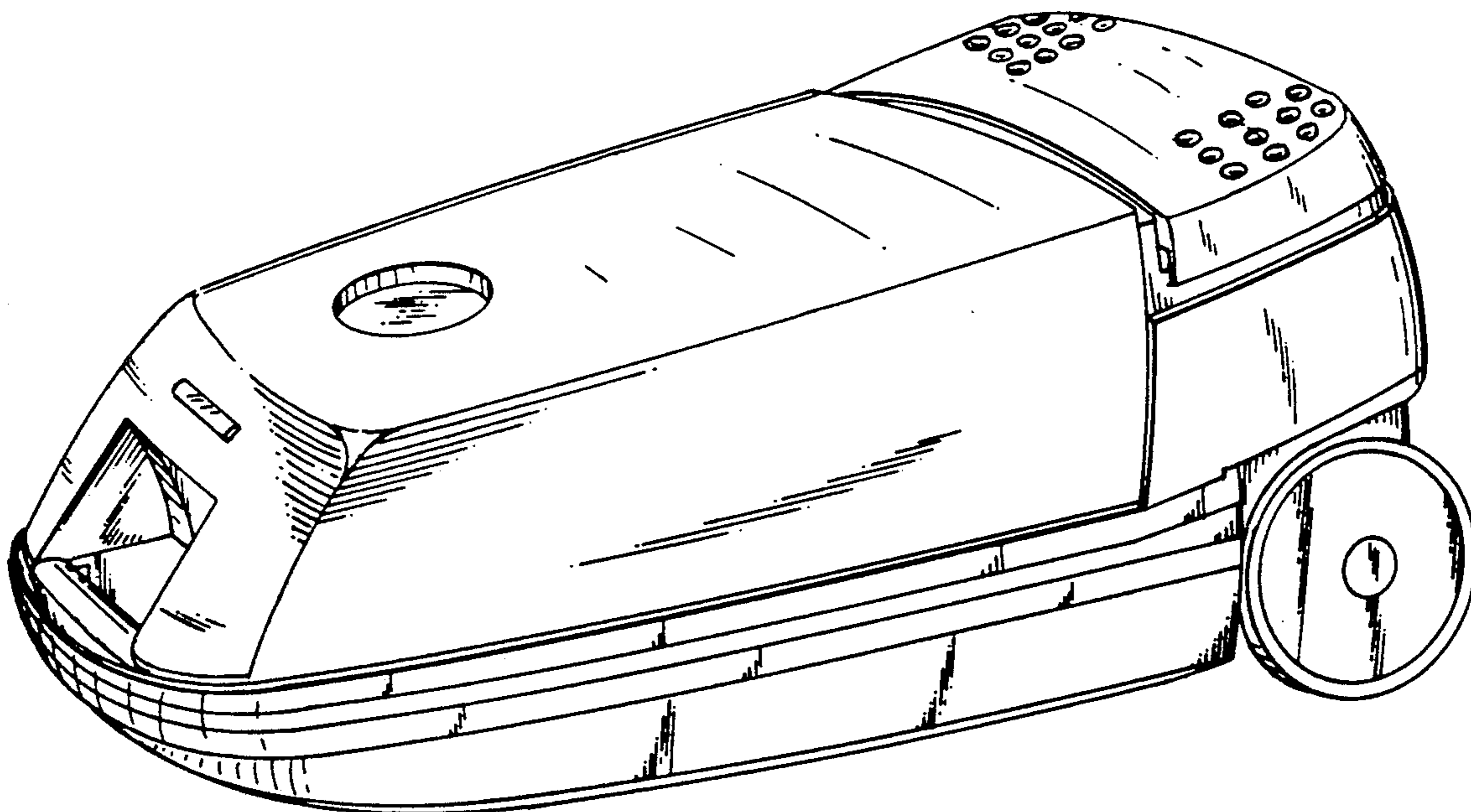


FIG. 1

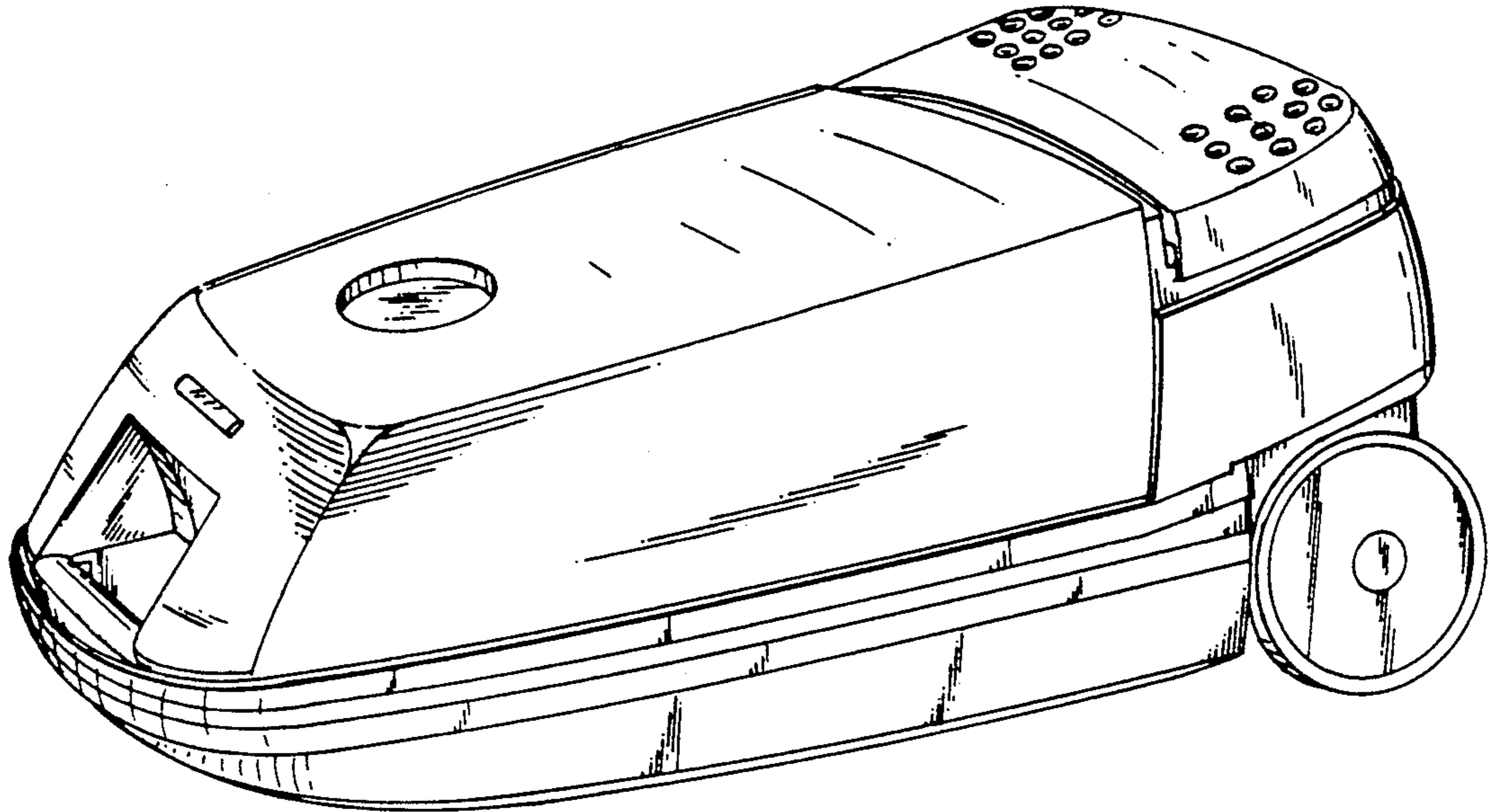


FIG. 2

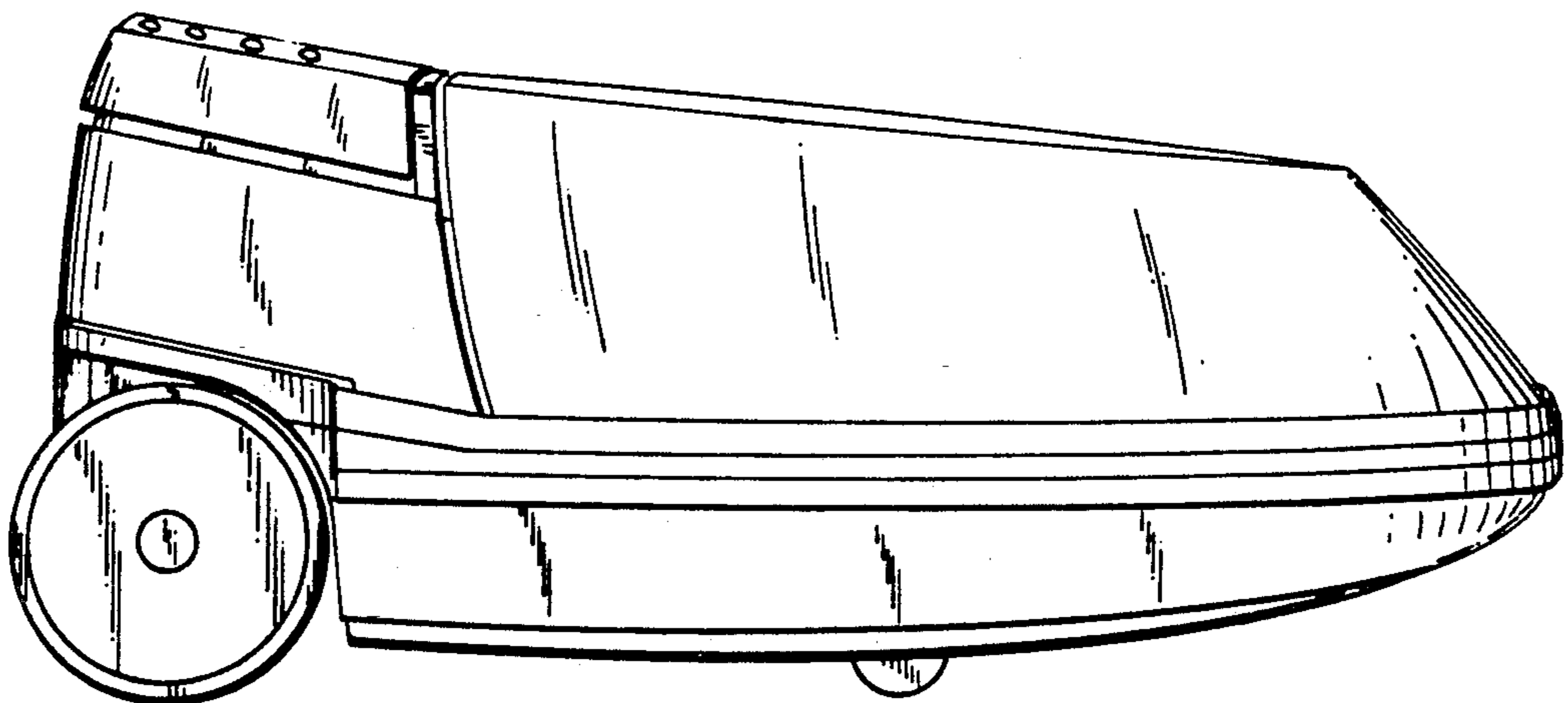


FIG. 3

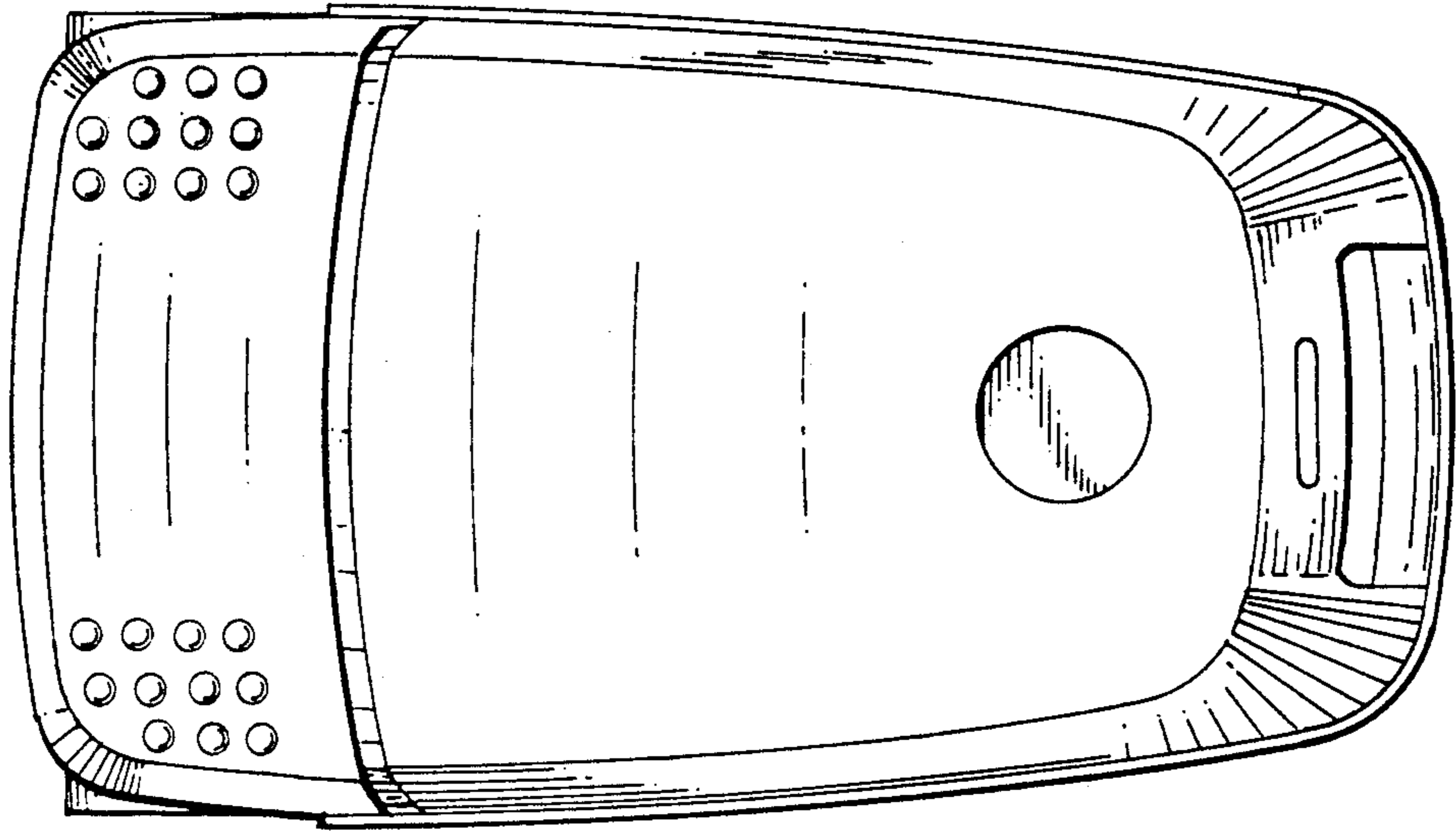


FIG. 4

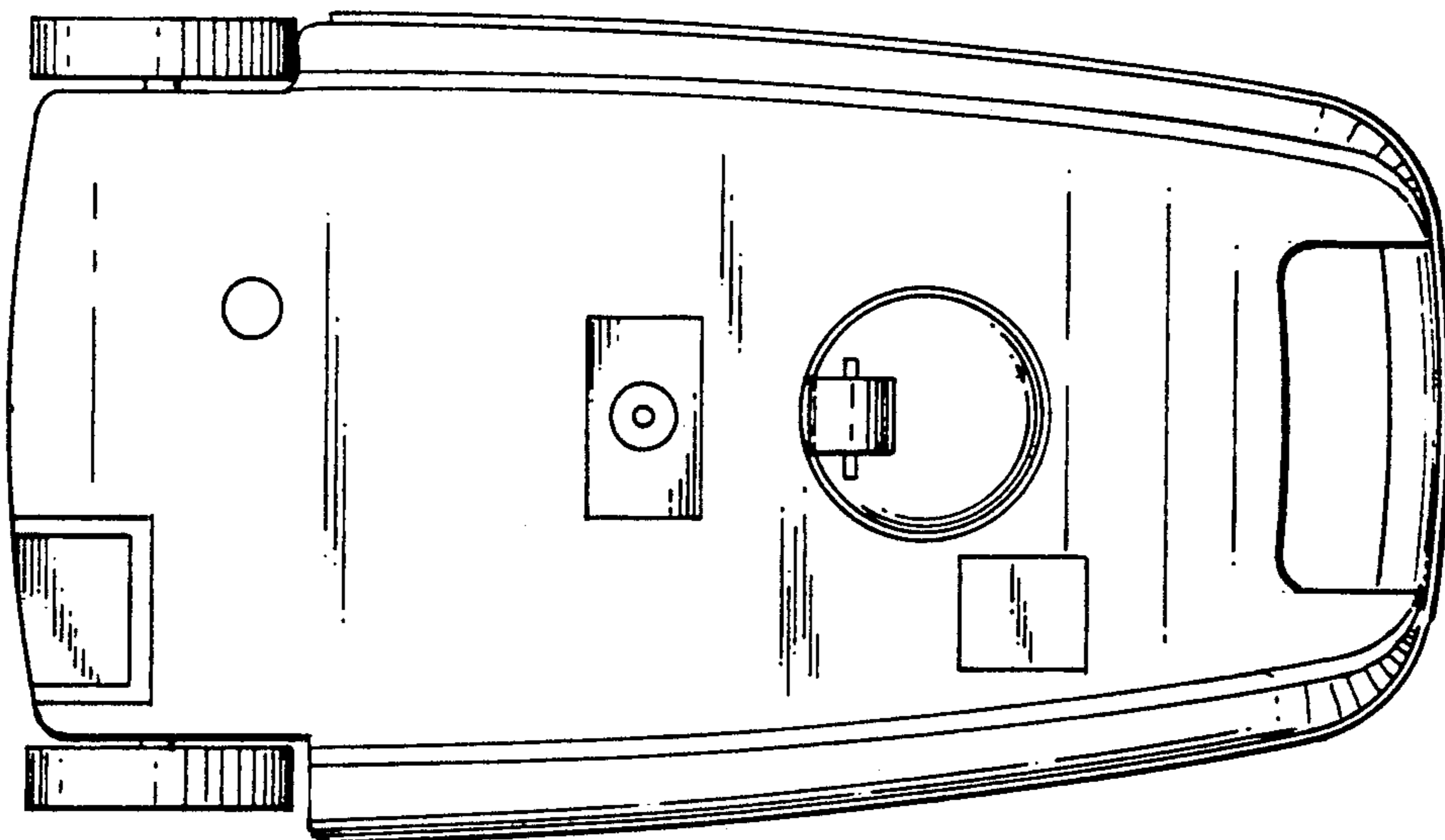


FIG. 5

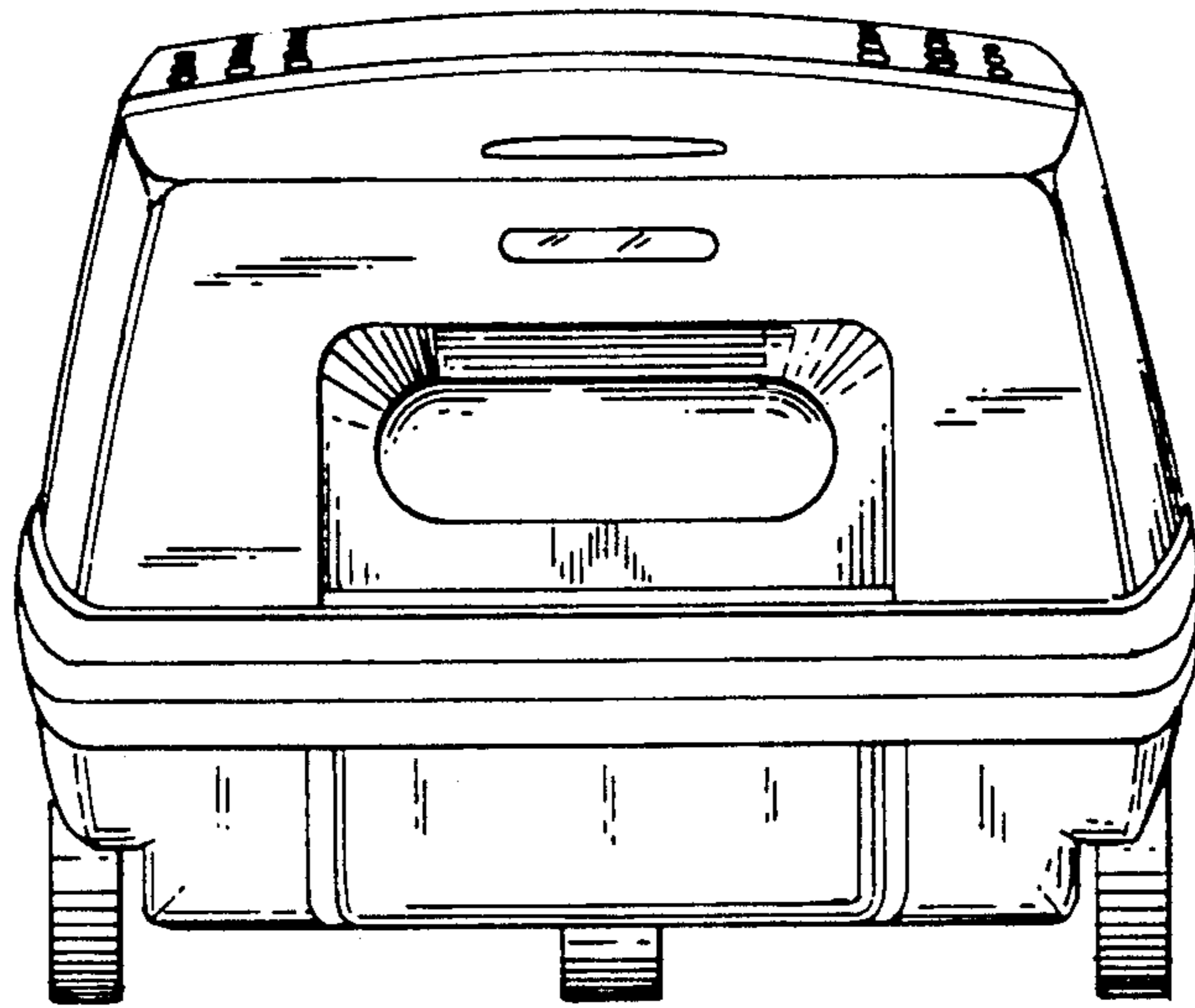


FIG. 6

