



US00D325445S

United States Patent [19]

[11] Patent Number: **Des. 325,445**

Dallaire et al.

[45] Date of Patent: **** Apr. 14, 1992**

[54] WINDOW COMPONENT EXTRUSION

[75] Inventors: **Raymond Dallaire; Dominique Dallaire**, both of St. David, Canada

[73] Assignee: **Dallaire Industries Ltd.**, Levis-Lauzon, Canada

[**] Term: **14 Years**

[21] Appl. No.: **487,177**

[22] Filed: **Mar. 1, 1990**

[52] U.S. Cl. **D25/122**

[58] Field of Search **D25/52, 119-125; 49/501, 504, DIG. 1, DIG. 2; 52/474-476**

[56] **References Cited**

U.S. PATENT DOCUMENTS

D. 306,490	3/1990	Reisinger et al.	D25/124
4,621,478	11/1986	Phillips et al.	D25/122
4,637,444	1/1987	Tanner	49/501
4,642,955	2/1987	Webb	49/504

Primary Examiner—A. Hugo Word
Assistant Examiner—Doris Clark
Attorney, Agent, or Firm—James D. Hall

[57] **CLAIM**

The ornamental design for a window component extrusion, as shown and described.

DESCRIPTION

FIG. 1 is a right side perspective view of a window component extrusion showing our new design; the extrusion being broken in the center to shown indeterminate length;

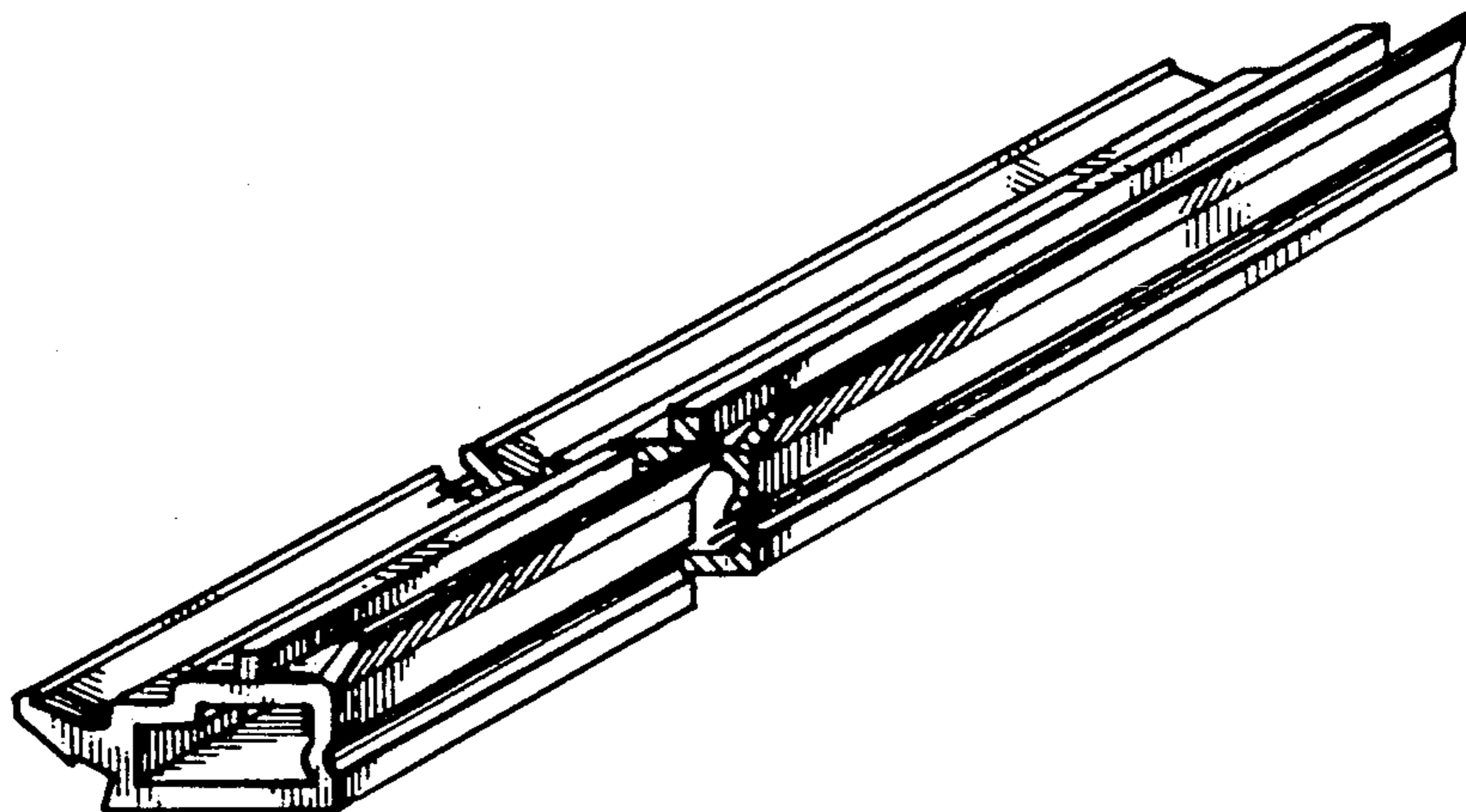
FIG. 2 is a left side perspective view thereof;

FIG. 3 is a right side perspective view of a second embodiment of a window component extrusion showing our new design;

FIG. 4 is a left side perspective view thereof;

FIG. 5 is a right side perspective view of a third embodiment of a window component extrusion showing our new design; and,

FIG. 6 is a left side perspective view thereof.



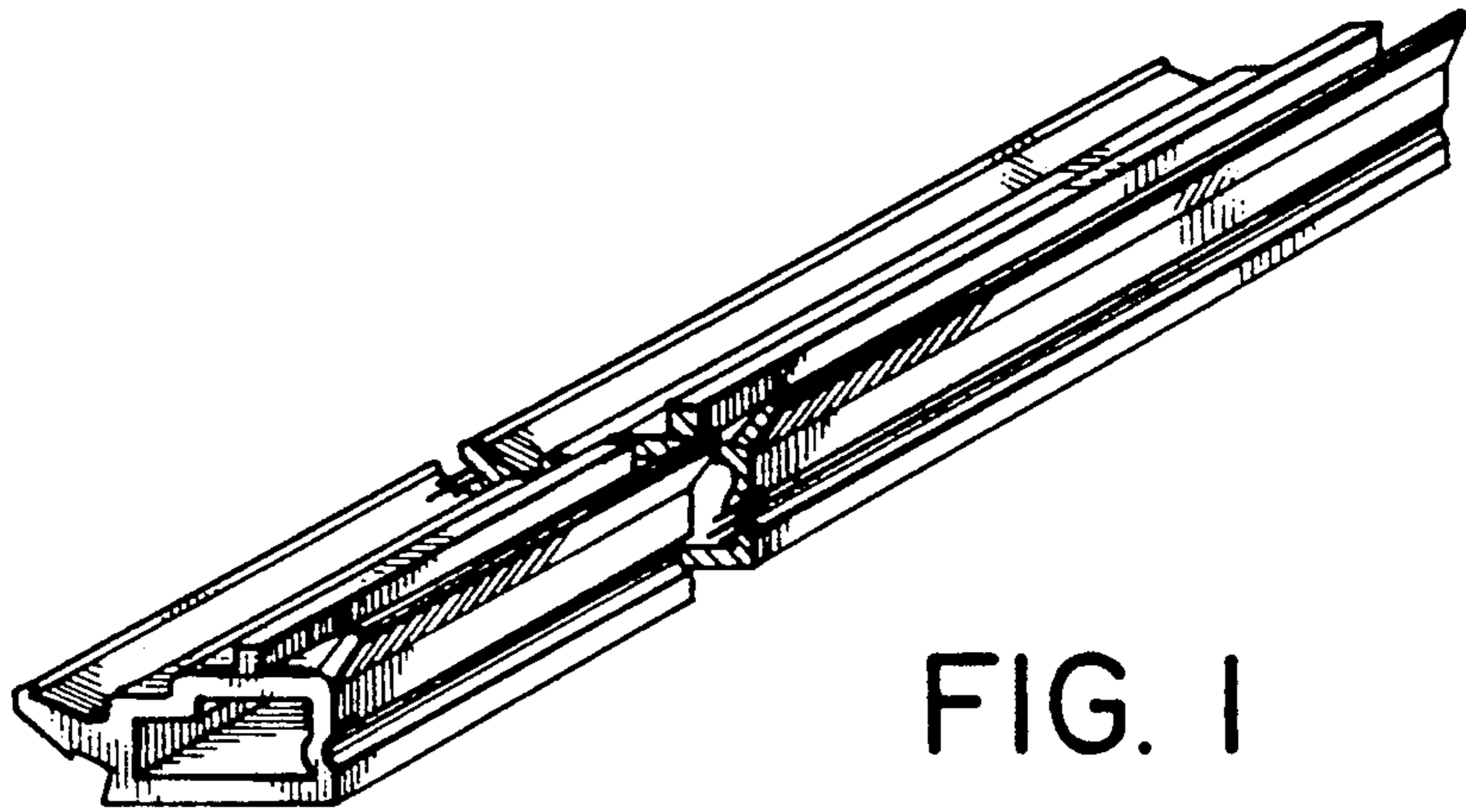


FIG. 1

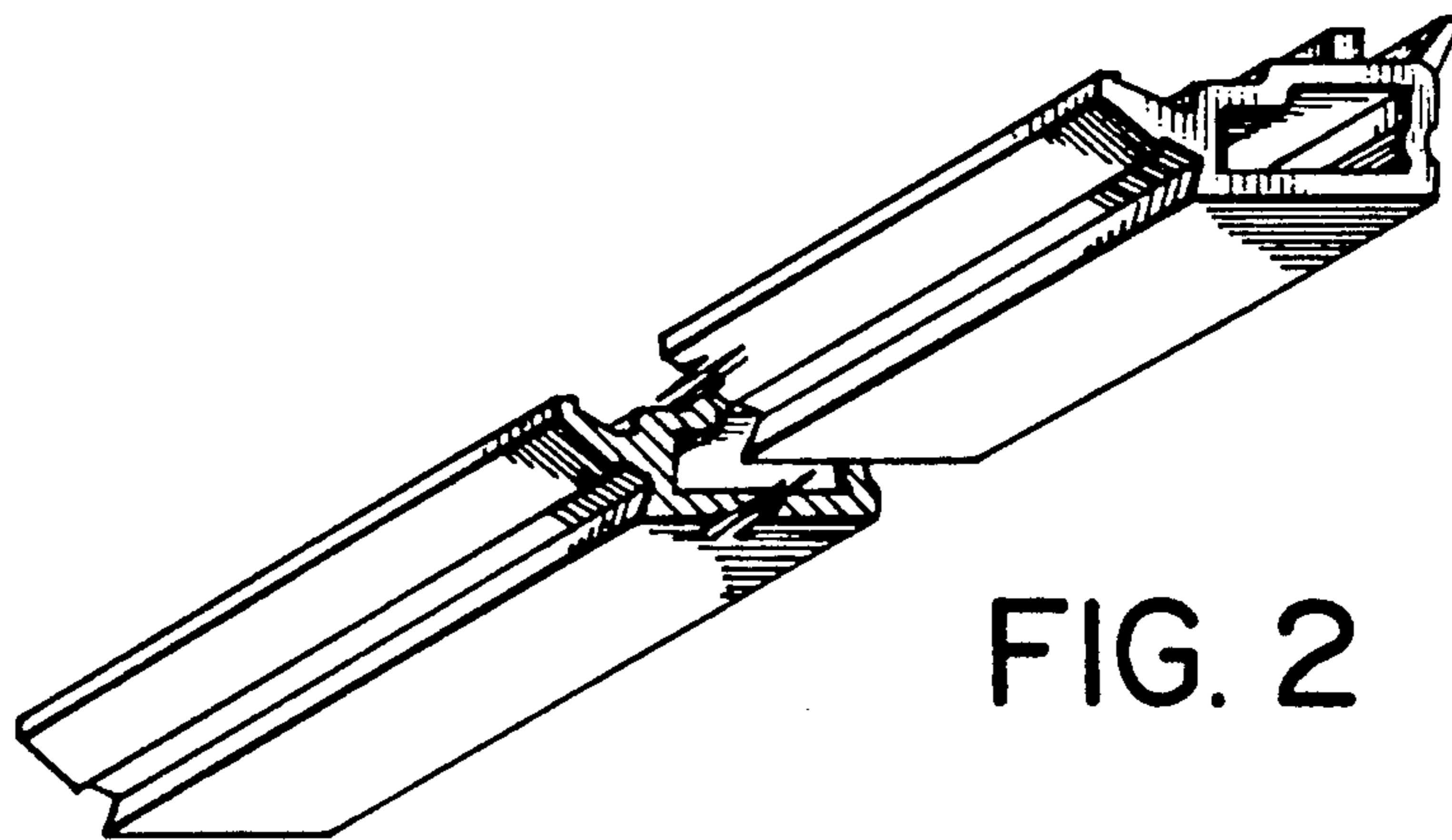


FIG. 2

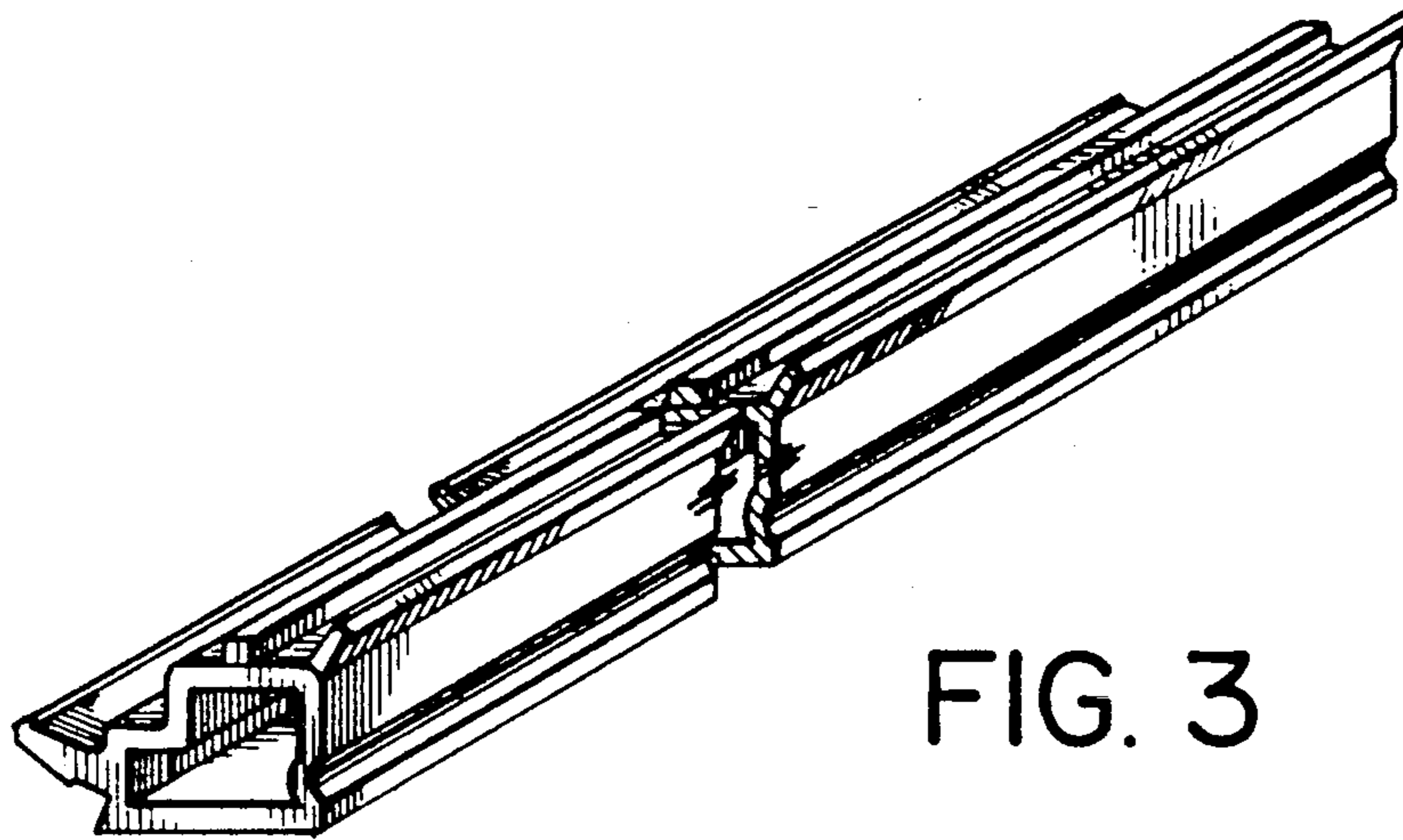


FIG. 3

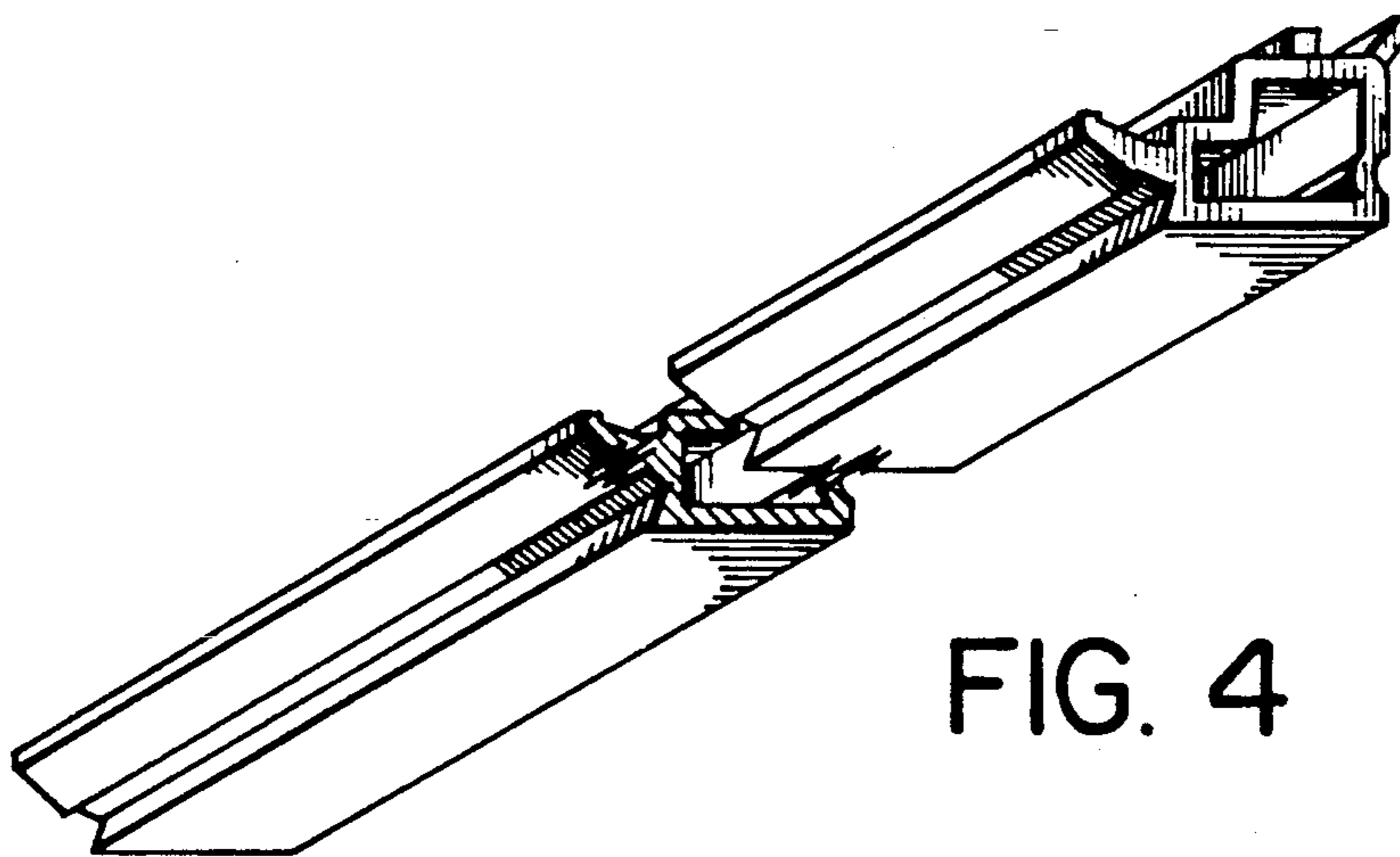


FIG. 4

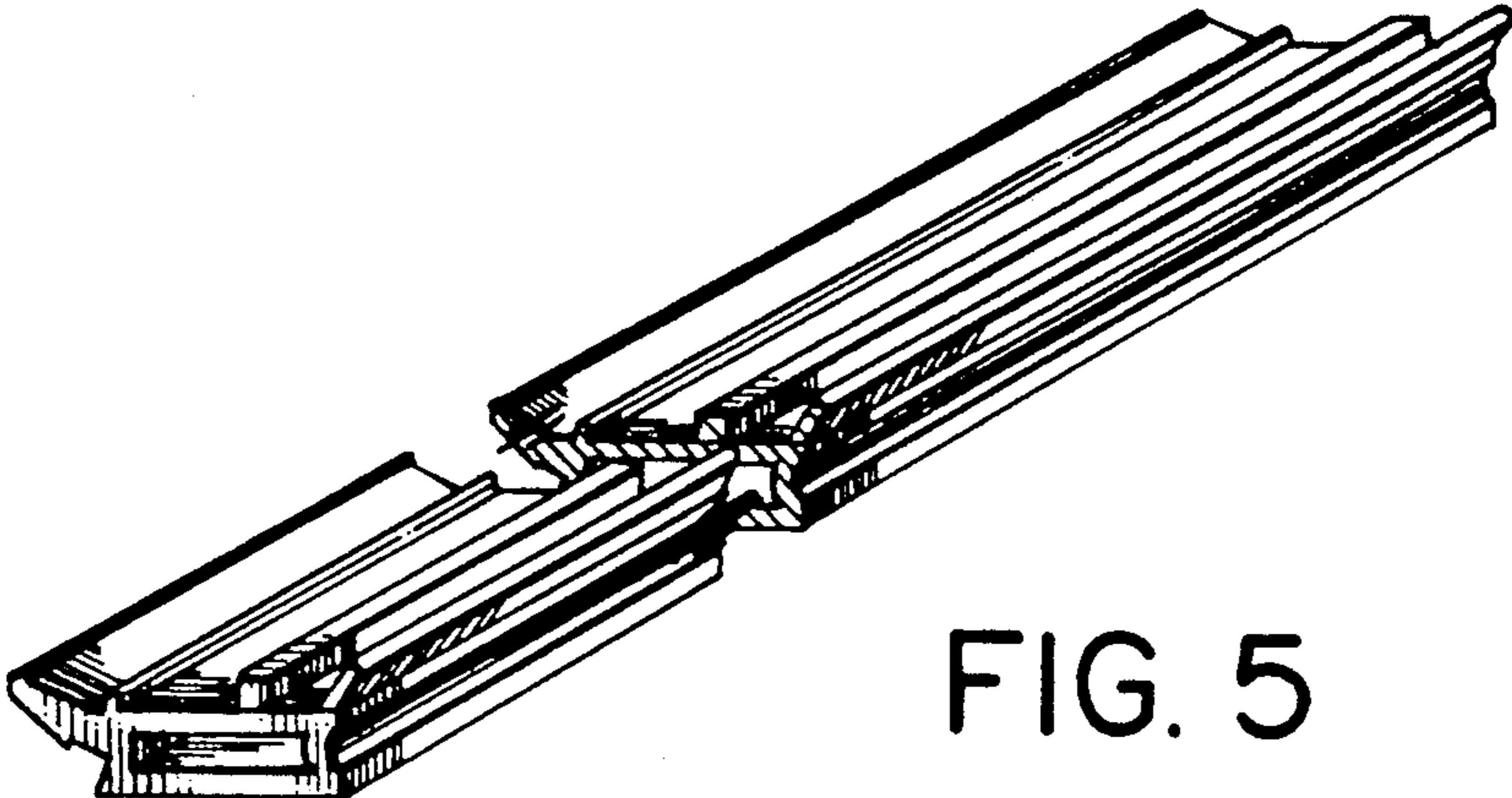


FIG. 5

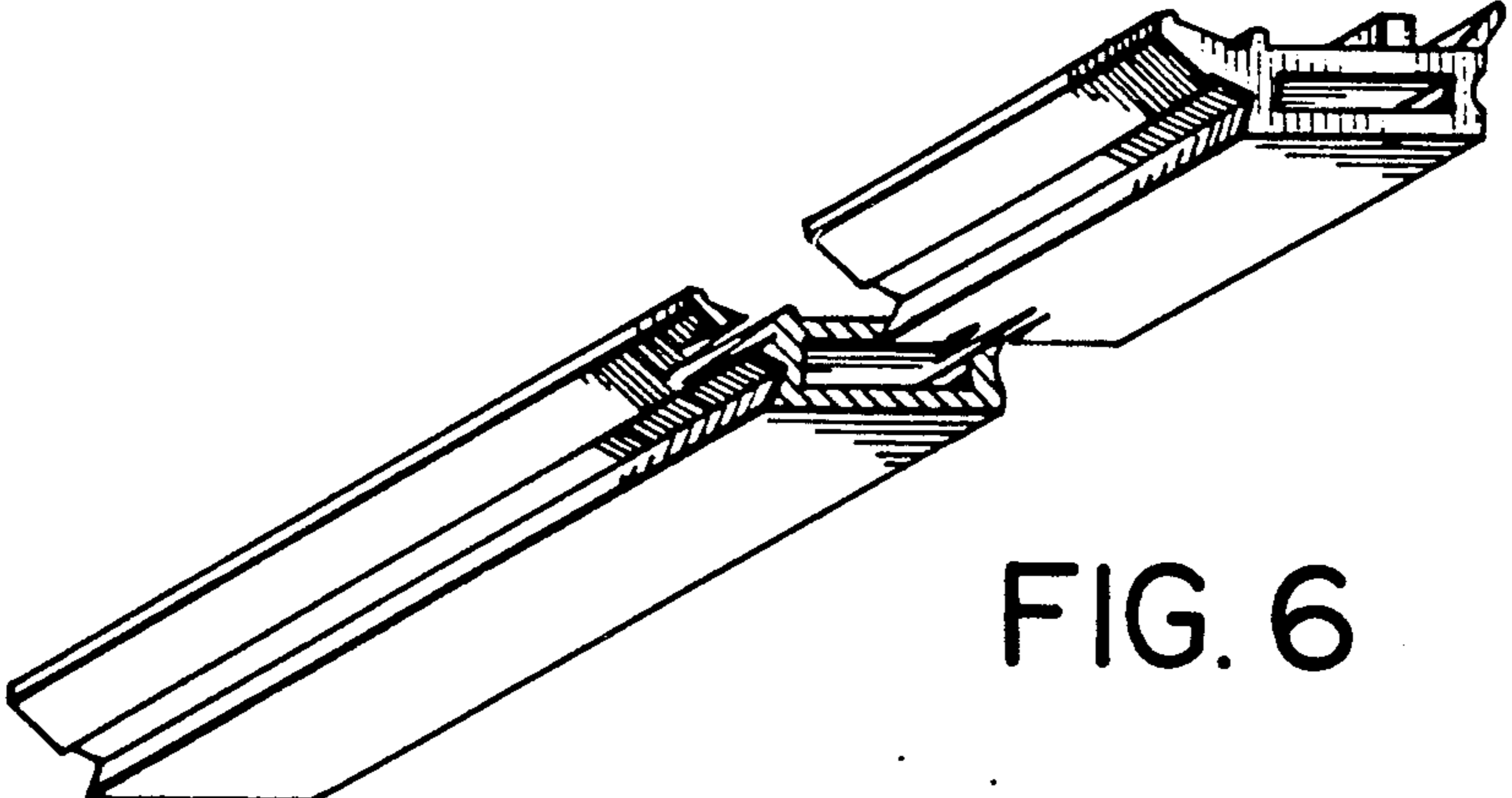


FIG. 6