



US00D325443S

United States Patent [19]

[11] Patent Number: **Des. 325,443**

Jermyn

[45] Date of Patent: **** Apr. 14, 1992**

[54] **STRAINER FOR USE IN CLEANING AND STERILIZING A PLASTIC LENS**

*Primary Examiner—Stella Reid
Attorney, Agent, or Firm—Lloyd F. Seebach*

[76] Inventor: **Arthur C. Jermyn**, 15914 Overview Rd., Poway, Calif. 92064

[57] **CLAIM**

[**] Term: **14 Years**

The ornamental design for a strainer for use in cleaning and sterilizing a plastic lens, as shown and described.

[21] Appl. No.: **371,710**

DESCRIPTION

[22] Filed: **Jun. 26, 1989**

[52] U.S. Cl. **D24/218**

[58] Field of Search **D24/218; 422/292, 293, 422/300; 206/5.1**

FIG. 1 is a perspective view of a strainer for use in cleaning and sterilizing a plastic lens, showing my new design;

[56] **References Cited**

U.S. PATENT DOCUMENTS

D. 289,922	5/1987	Termyn	D24/218
3,168,100	2/1965	Rich	422/300 X
4,444,307	4/1984	Termyn	206/5.1
4,852,594	8/1989	Chen	206/5.1 X

FIG. 2 is a perspective view of the opposite end of FIG. 1;

FIG. 3 is a front elevational view thereof, with all other sides being substantially identical thereto;

FIG. 4 is a top plan view thereof;

FIG. 5 is a bottom plan view thereof; and,

FIG. 6 is a cross-sectional view thereof, taken along line 6—6 of FIG. 4.

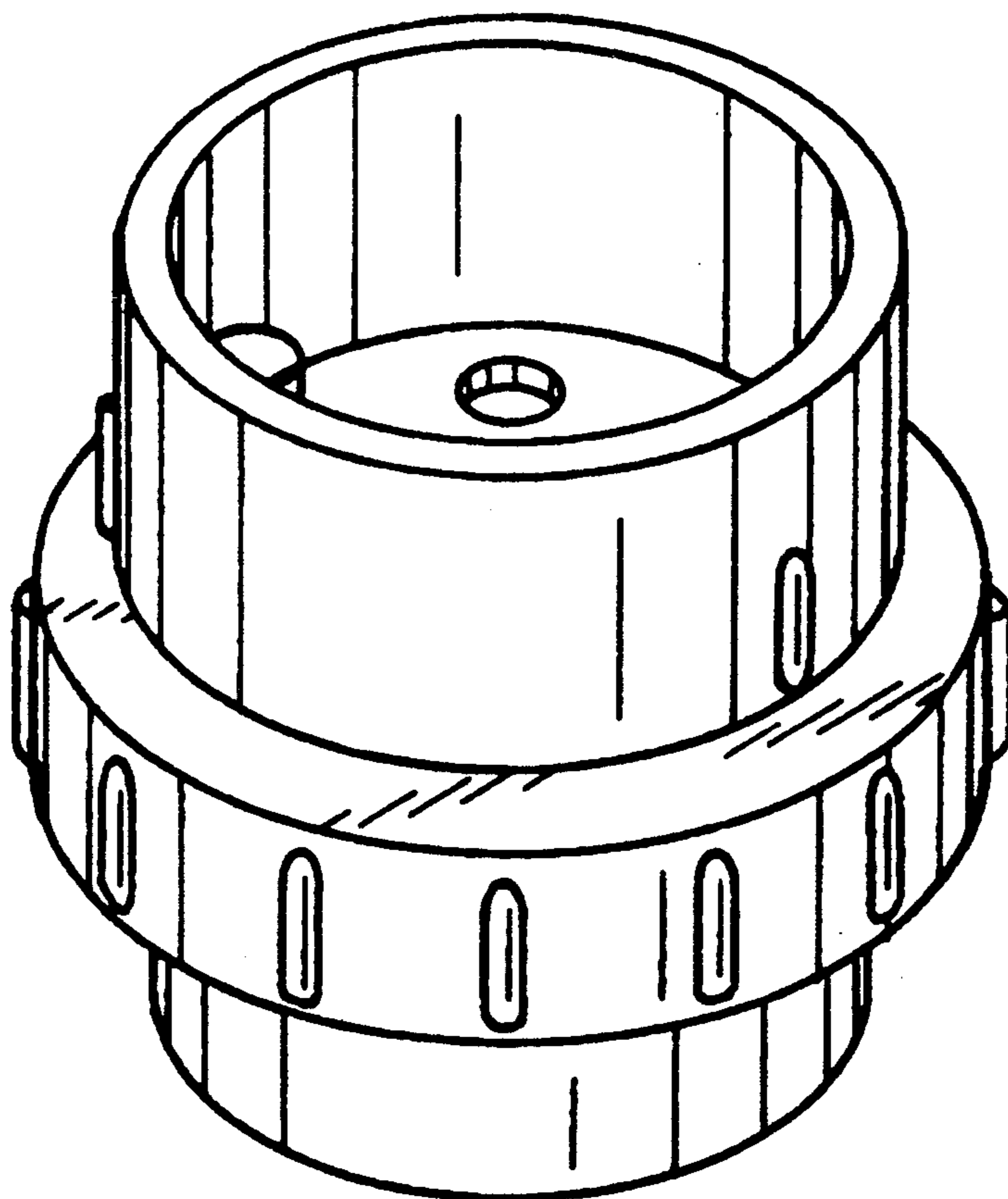


FIG. 1

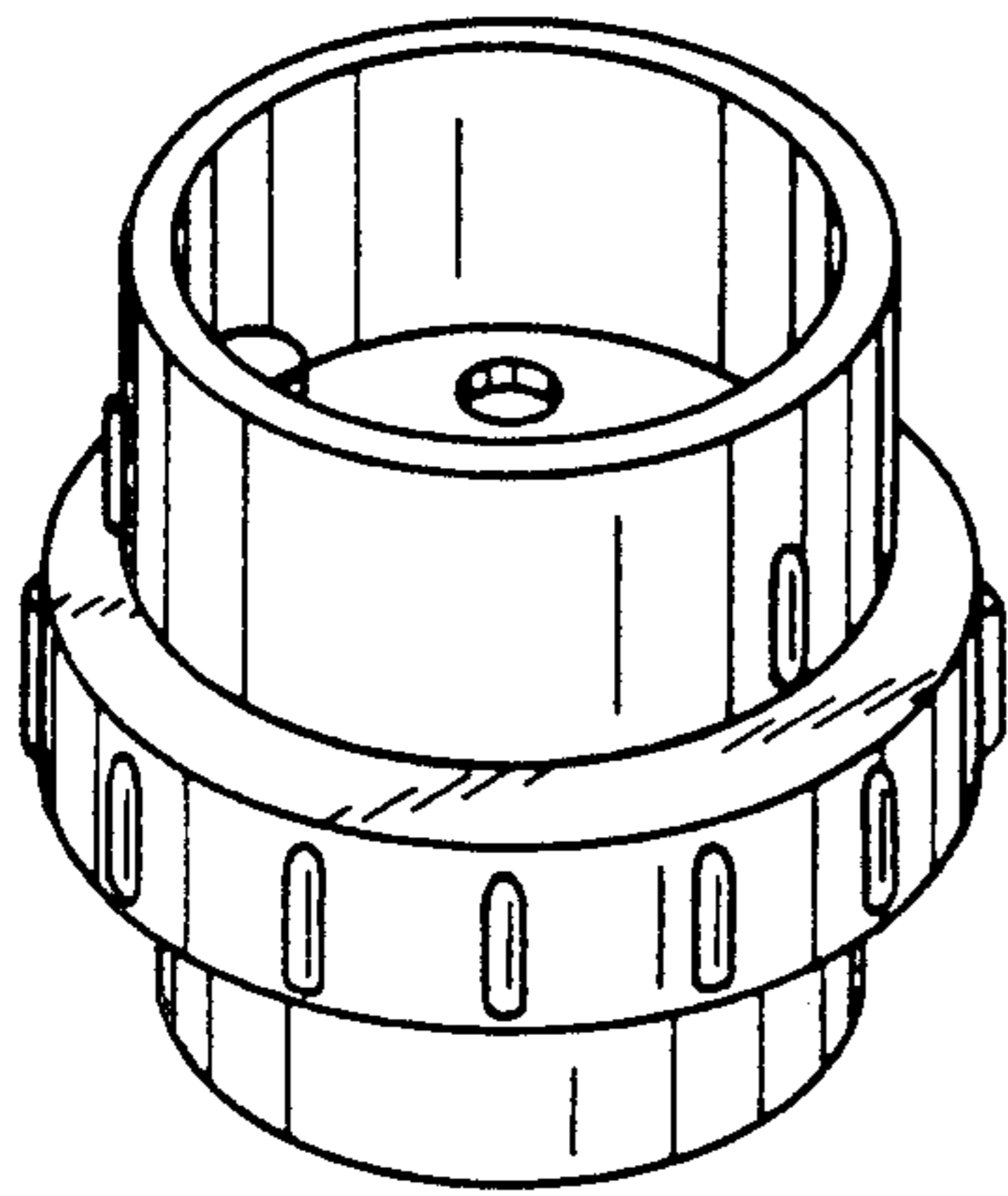


FIG. 2

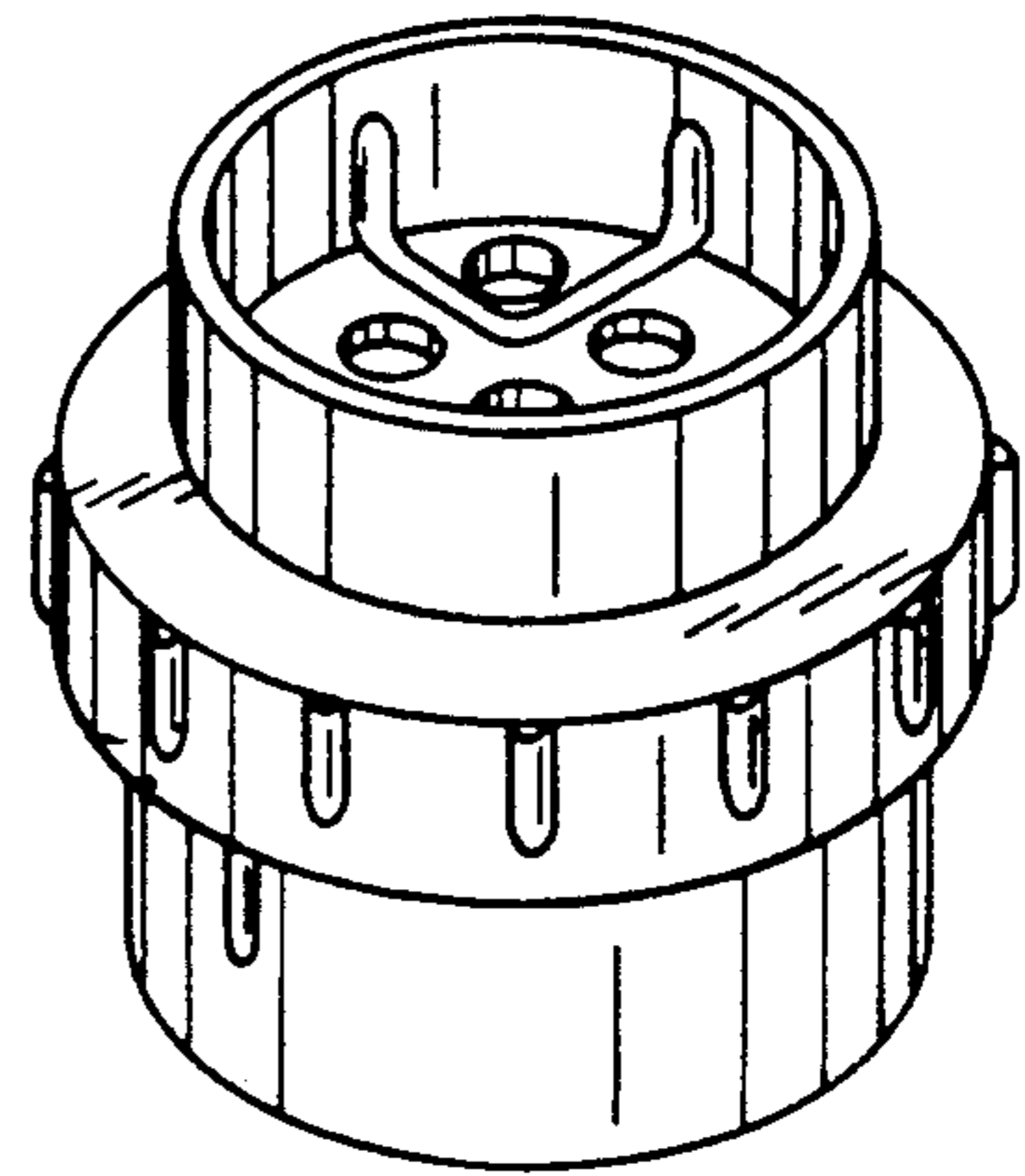


FIG. 3

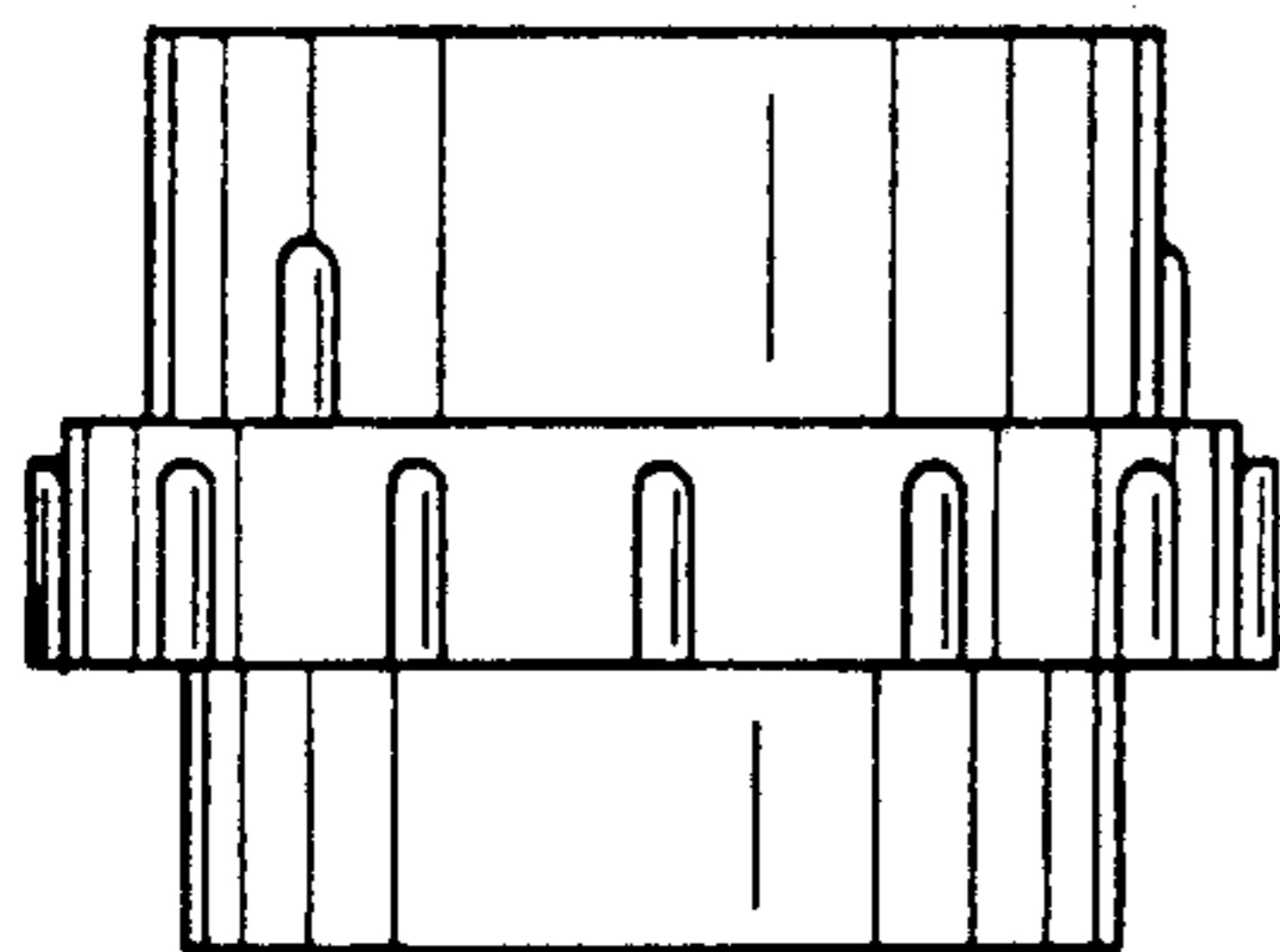


FIG. 4

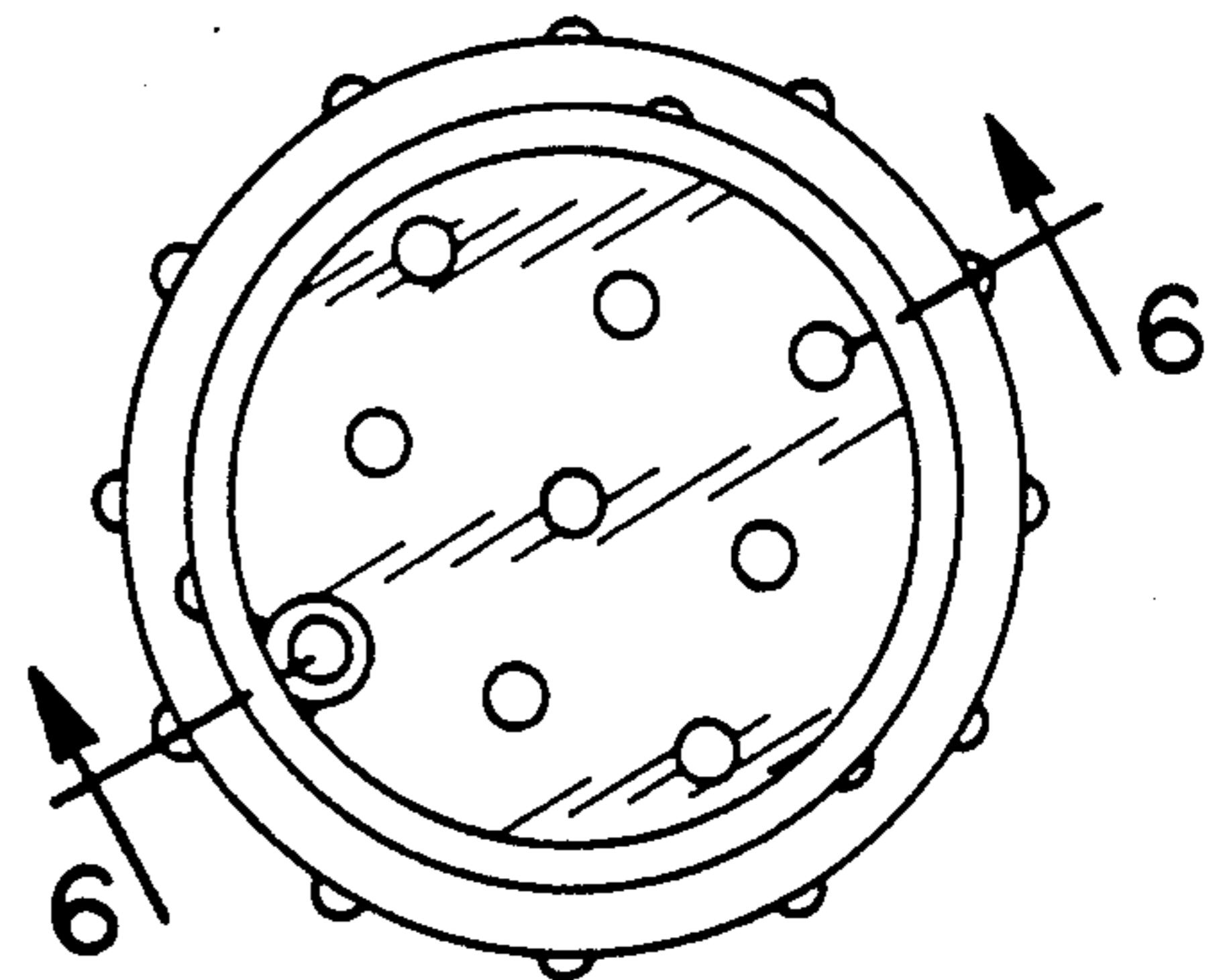


FIG. 5

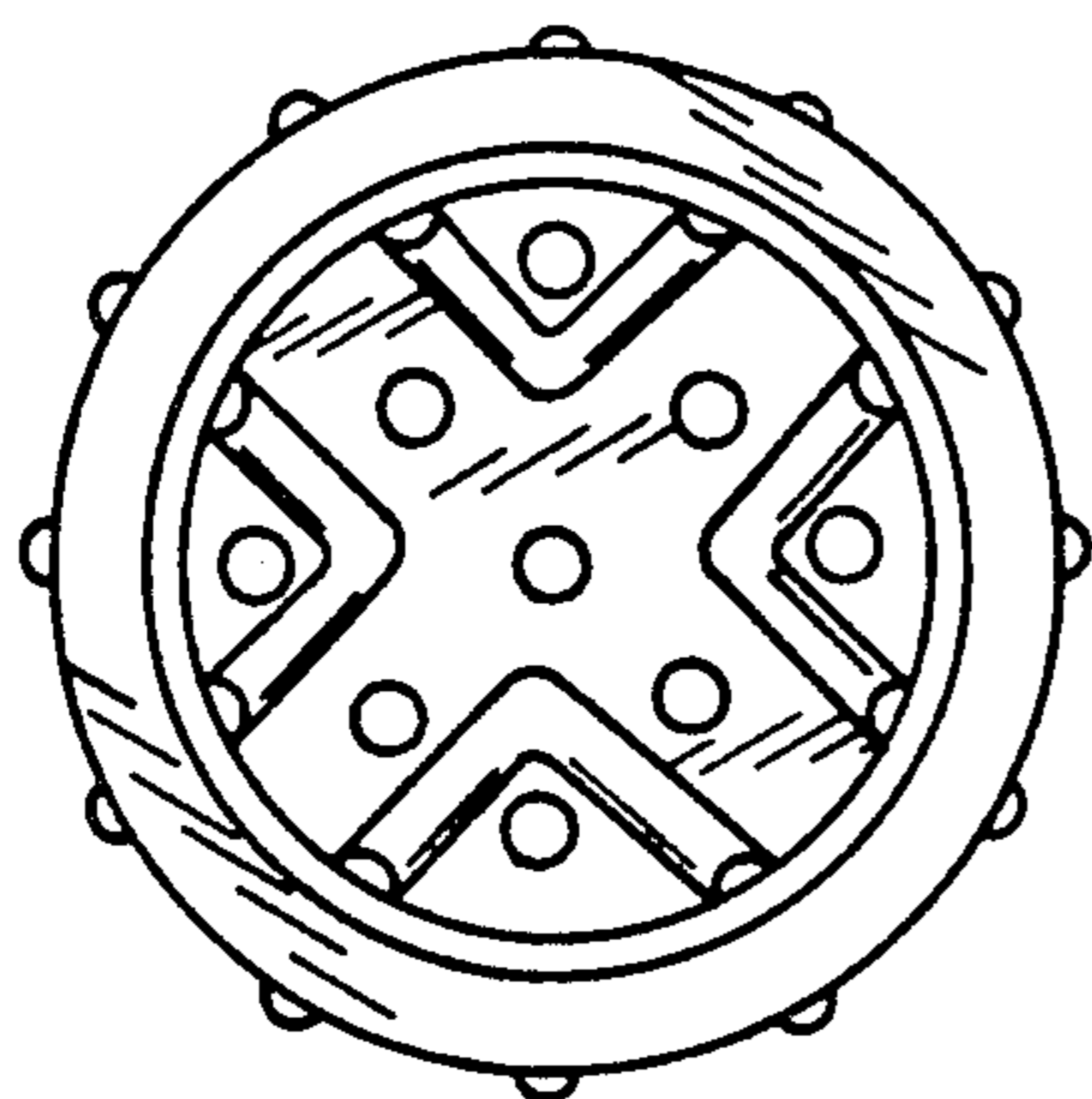


FIG. 6

