



US00D325441S

United States Patent [19]

[11] Patent Number: **Des. 325,441**

O'Brien et al.

[45] Date of Patent: **** Apr. 14, 1992**

[54] **THERAPEUTIC LUMBAR BELT**

[76] Inventors: **Michael O'Brien**, 901 N. Curtis Rd., Suite 101, Boise, Id. 83706; **Lorie Leishman**, 1150 E. Ustick Rd., Meridian, Id. 83642

4,676,247 6/1987 Van Cleve .
4,682,587 7/1987 Curlee 128/78
4,756,306 7/1988 Curlee 128/DIG. 20 X

[**] Term: **14 Years**

Primary Examiner—Stella Reid
Attorney, Agent, or Firm—Frank J. Dykas; Craig M. Korfanta; Ken J. Pedersen

[21] Appl. No.: **247,589**

[57] **CLAIM**

[22] Filed: **Sep. 22, 1988**

The ornamental design for a therapeutic lumbar belt, as shown and described.

[52] U.S. Cl. **D24/206; D24/200**

[58] Field of Search **D24/64, 36, 43; 128/402, 403, 78, DIG. 20**

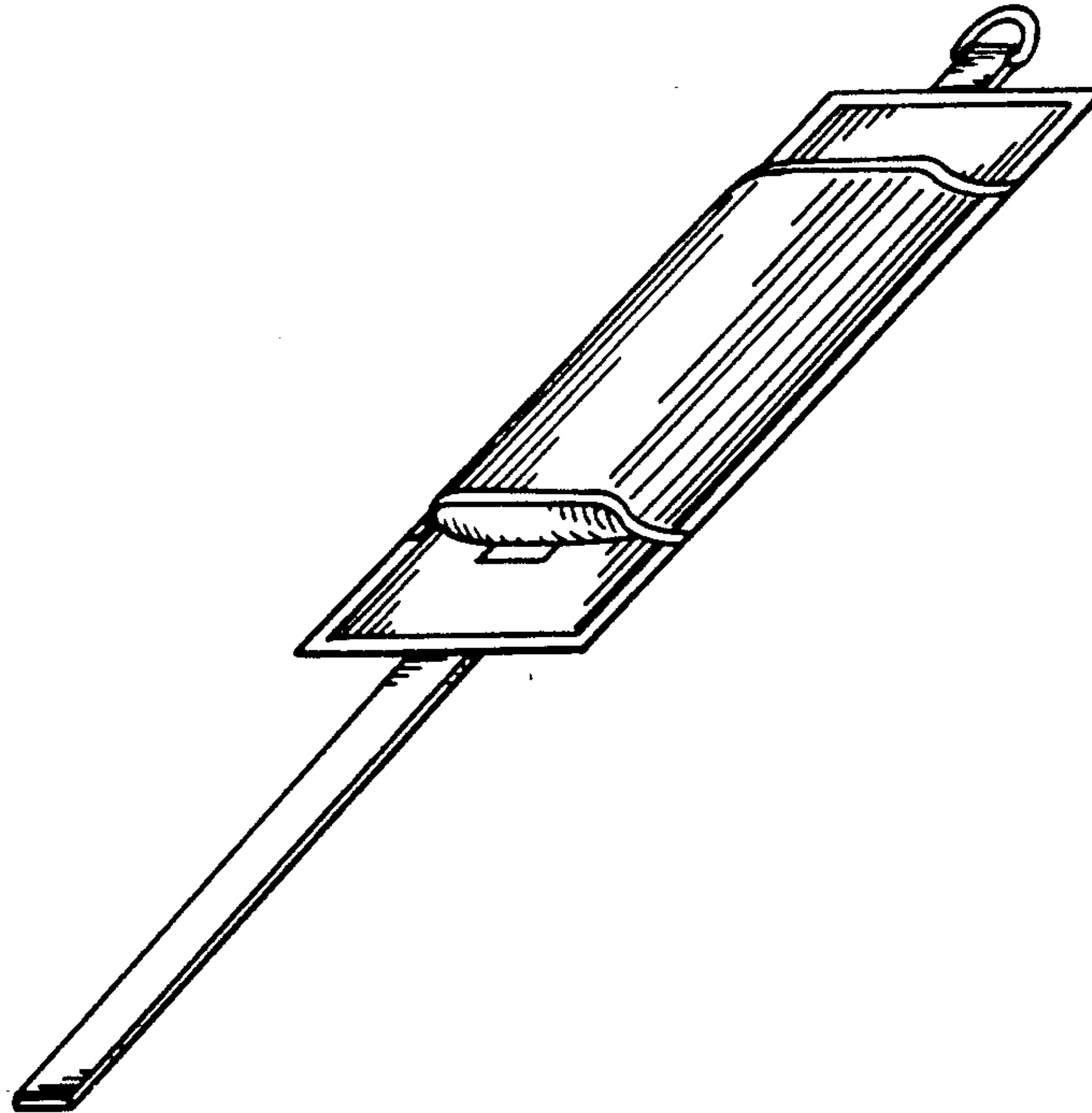
DESCRIPTION

[56] **References Cited**

U.S. PATENT DOCUMENTS

- D. 296,930 7/1988 Carabelli D24/64
- 3,463,161 8/1969 Andrassy .
- 3,822,705 7/1974 Pilotte .
- 3,900,035 8/1975 Welch et al. .
- 4,055,188 10/1977 Pelton .
- 4,092,982 6/1978 Salem .

FIG. 1 is a top plan view of a therapeutic lumbar belt, showing our new design;
FIG. 2 is a bottom plan view thereof;
FIG. 3 is a perspective view thereof;
FIG. 4 is a side elevational view thereof;
FIG. 5 is a side elevational view thereof, opposite that shown in FIG. 4;
FIG. 6 is an end elevational view thereof; and,
FIG. 7 is an end elevational view thereof, opposite that shown in FIG. 6.



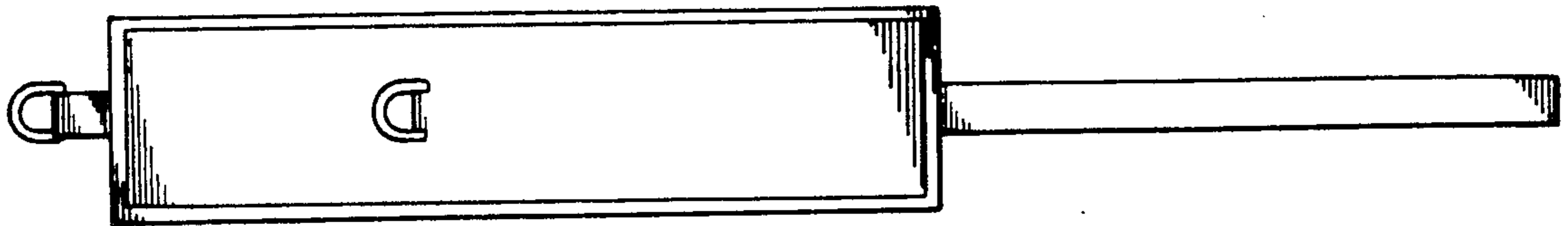


FIG. 1

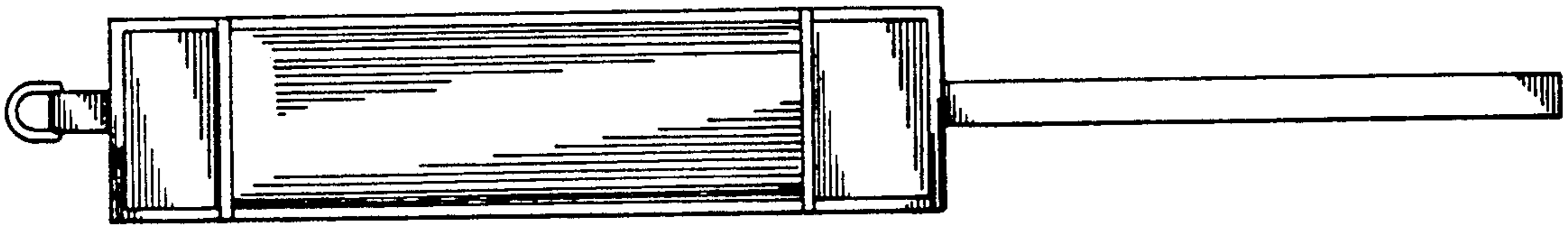


FIG. 2

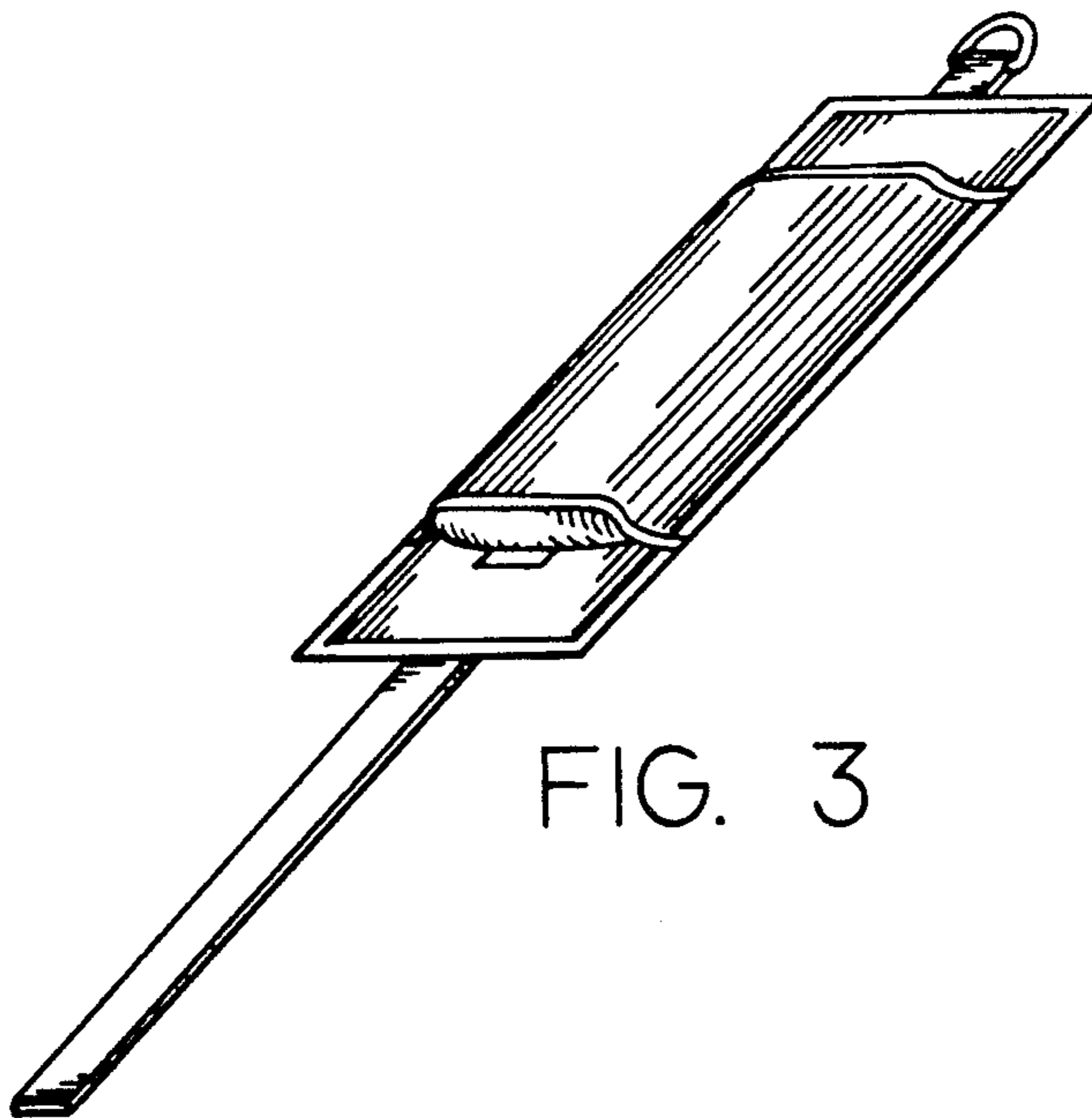


FIG. 3



FIG. 4



FIG. 5



FIG. 6



FIG. 7