



US00D325436S

United States Patent [19]

[11] Patent Number: **Des. 325,436**

Taylor, III

[45] Date of Patent: **** Apr. 14, 1992**

[54] **CEILING FAN BLADE**

[56] **References Cited**

[76] Inventor: **William N. Taylor, III**, P.O. Box 810121, Dallas, Tex. 75381-0121

U.S. PATENT DOCUMENTS

D. 262,736	1/1982	Wooden	D23/413
D. 292,313	10/1987	Kawai	D23/377
D. 306,643	3/1990	Taylor, III	D23/413
D. 309,183	7/1990	Taylor, III	D23/413
D. 313,467	1/1991	Frampton	D23/379
3,004,623	10/1961	Nissen	D21/235

[*] Notice: The portion of the term of this patent subsequent to Mar. 13, 2004 has been disclaimed.

Primary Examiner—Wallace R. Burke
Assistant Examiner—Lisa Lichtenstein
Attorney, Agent, or Firm—W. Kirk McCord

[**] Term: **14 Years**

[57] CLAIM

[21] Appl. No.: **588,421**

The ornamental design for a ceiling fan blade, as shown and described.

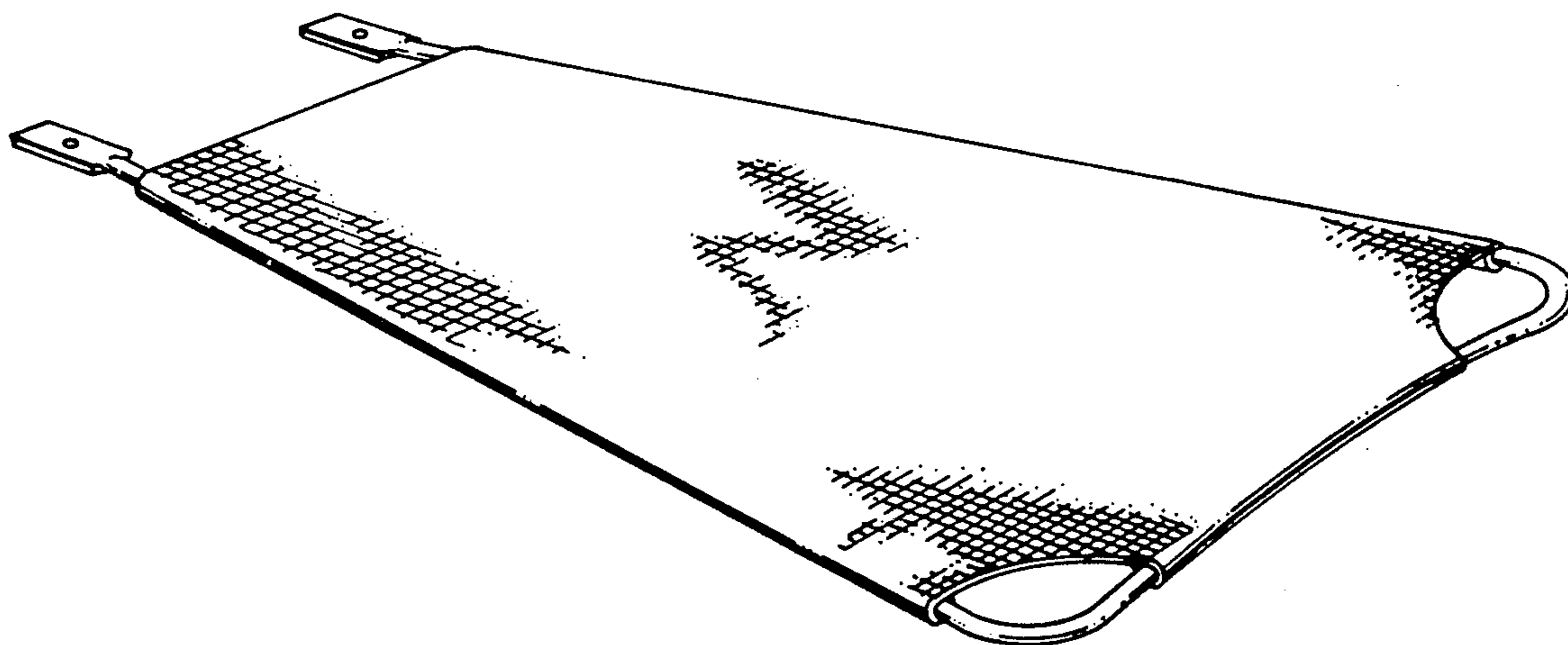
[22] Filed: **Sep. 26, 1990**

DESCRIPTION

Related U.S. Application Data

[63] Continuation-in-part of Ser. No. 490,950, Mar. 9, 1990.
[52] U.S. Cl. **D23/413**
[58] Field of Search **D23/377-379, D23/385, 411, 413; D21/235; 416/5**

FIG. 1 is a top perspective view of a ceiling fan blade showing my new design;
FIG. 2 is a top plan view thereof;
FIG. 3 is a right end elevation view thereof;
FIG. 4 is a left end elevation view thereof;
FIG. 5 is a bottom plan view thereof; and,
FIG. 6 is a right side elevation view thereof, the left side being a mirror image of that shown.



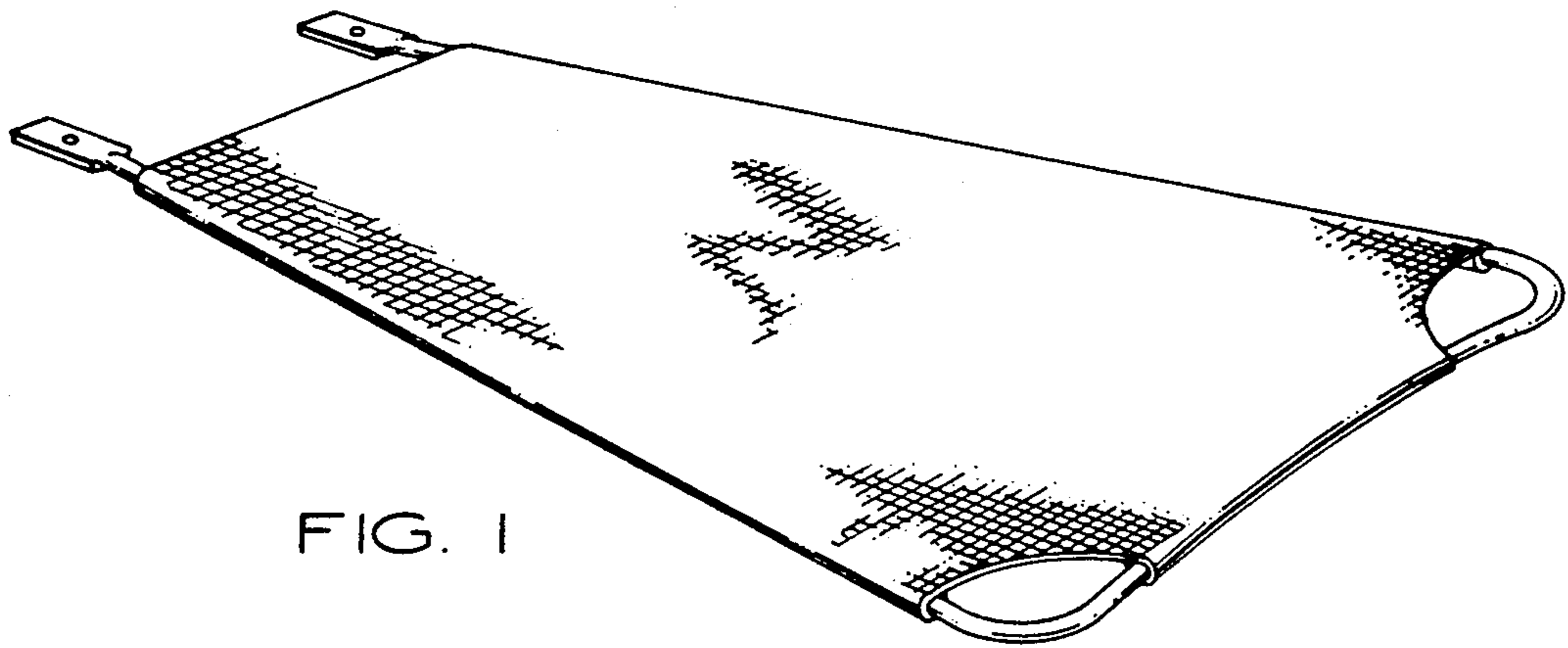


FIG. 1

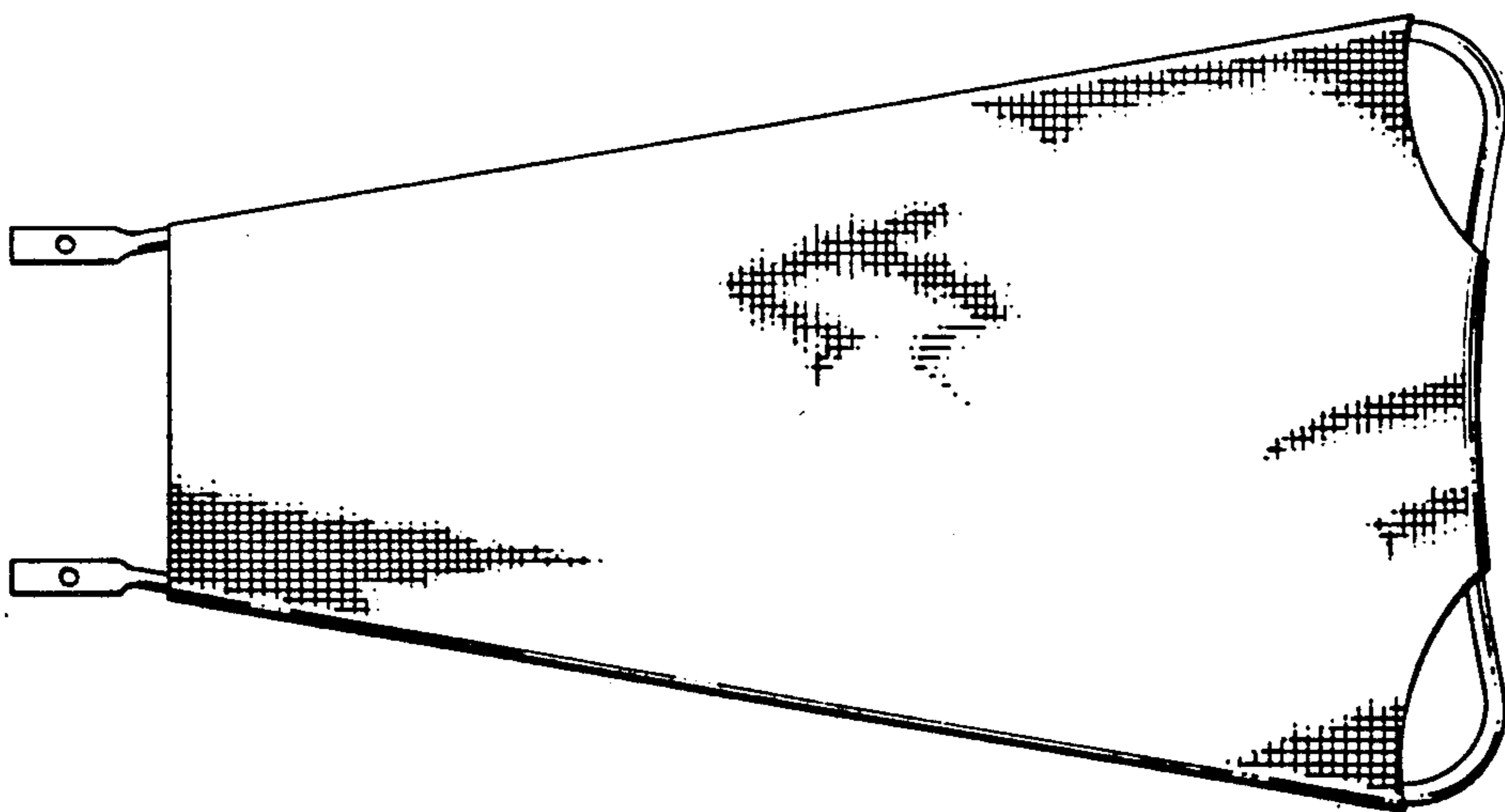


FIG. 2



FIG. 3



FIG. 4

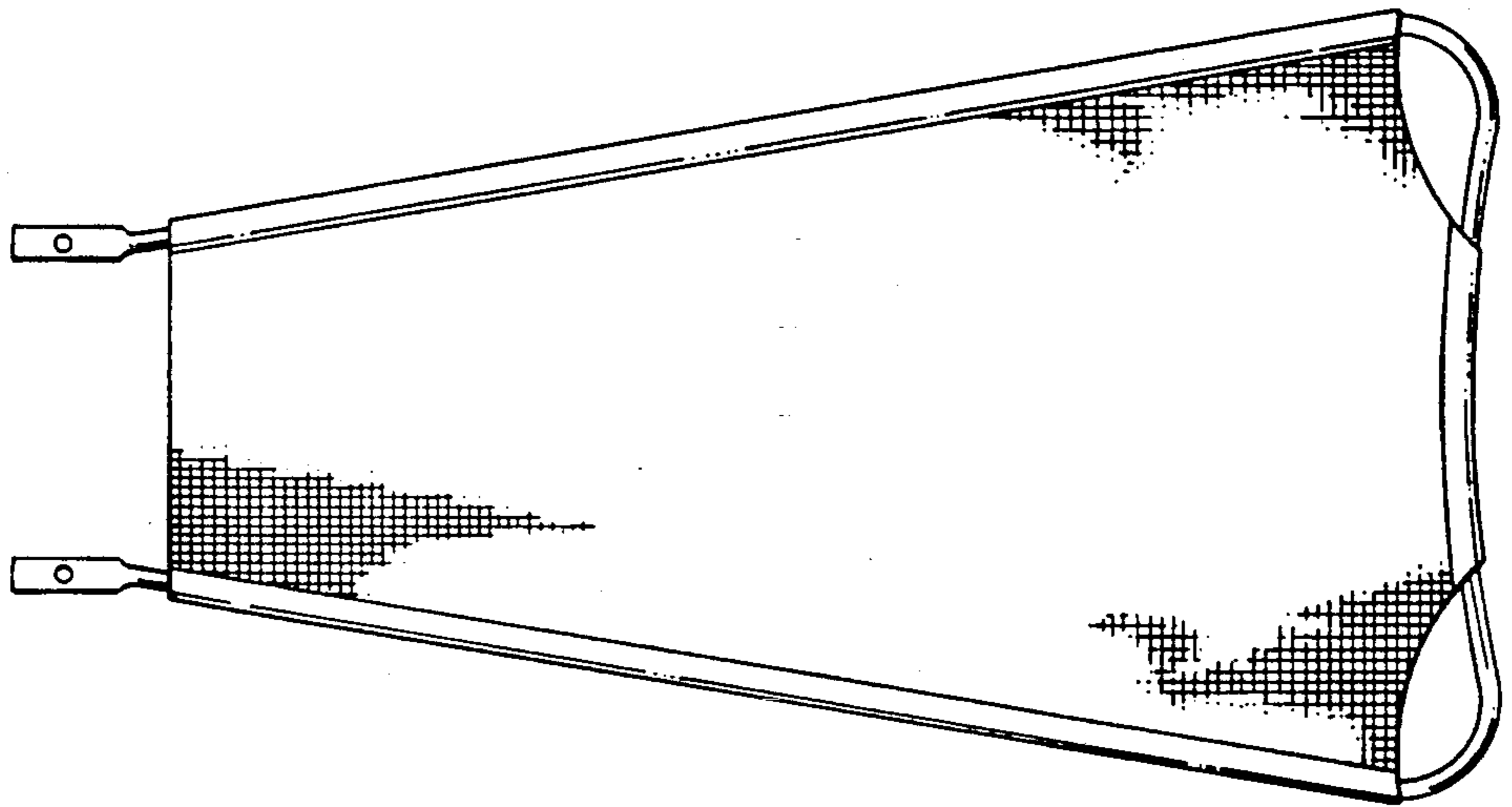


FIG. 5

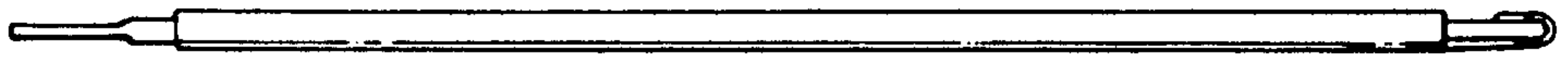


FIG. 6