



US00D325432S

United States Patent [19]

[11] Patent Number: **Des. 325,432**

Cook

[45] Date of Patent: **** Apr. 14, 1992**

- [54] **BOX FAN** 2,968,457 1/1961 Krauss D23/370
- [75] Inventor: **Robynn M. Cook, Long Beach, Calif.**
- [73] Assignee: **Tatung Company of America, Inc., Long Beach, Calif.**
- [**] Term: **14 Years**
- [21] Appl. No.: **677,879**
- [22] Filed: **Apr. 1, 1991**
- [52] U.S. Cl. **D23/381**
- [58] Field of Search **D23/370-375, D23/328, 335, 337, 381, 382, 385; 416/246 R, 247 R; 392/365-369**

OTHER PUBLICATIONS

Hong Kong Enterprise 4/7/82, p. 71, Box Fan Model 2202, p. 71, right middle side of page.
 Electrical Appliance News, 4-1-46, p. 137, Thermador Fan.

Primary Examiner—Wallace R. Burke
Assistant Examiner—Lisa Lichtenstein
Attorney, Agent, or Firm—Jack C. Munro

[57] CLAIM

The ornamental design for a box fan, as shown and described.

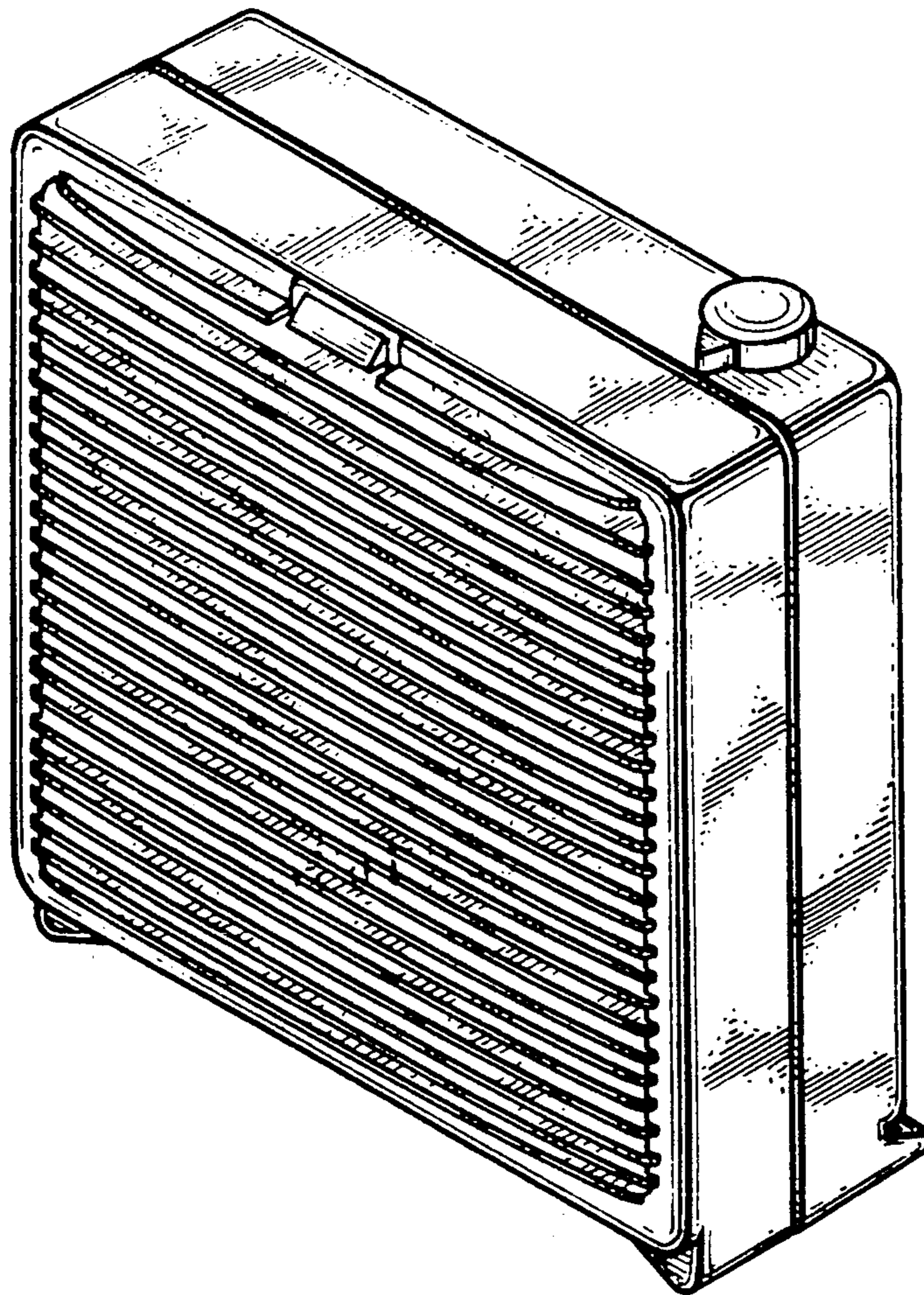
[56] References Cited

U.S. PATENT DOCUMENTS

D. 248,043	5/1978	Schade	D23/335
D. 277,130	1/1985	Schade	D23/335
D. 282,102	1/1986	Yuen	D23/328
D. 286,428	10/1986	Liu	D23/335
D. 291,350	8/1987	Sherman et al.	D23/335
D. 300,353	3/1989	Yurkovic	D23/337
D. 300,776	4/1989	Fu et al.	D23/370

DESCRIPTION

FIG. 1 is a front, top, and right side perspective view of a box fan showing my new design;
 FIG. 2 is a front elevational view thereof;
 FIG. 3 is a right side elevational view thereof, the left side being a mirror image of that shown;
 FIG. 4 is a rear elevational view thereof;
 FIG. 5 is a top plan view thereof; and,
 FIG. 6 is a bottom plan view thereof.



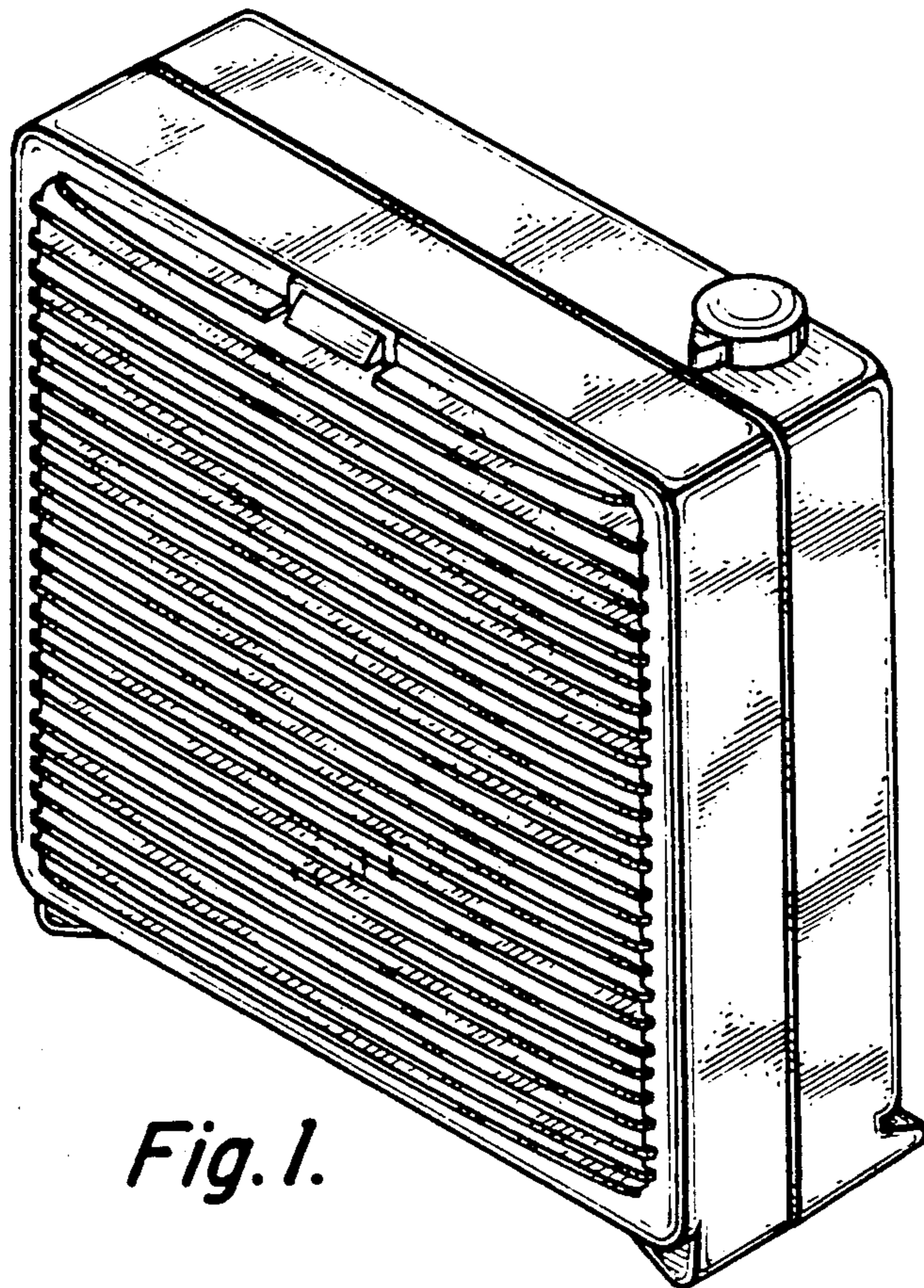


Fig. 1.

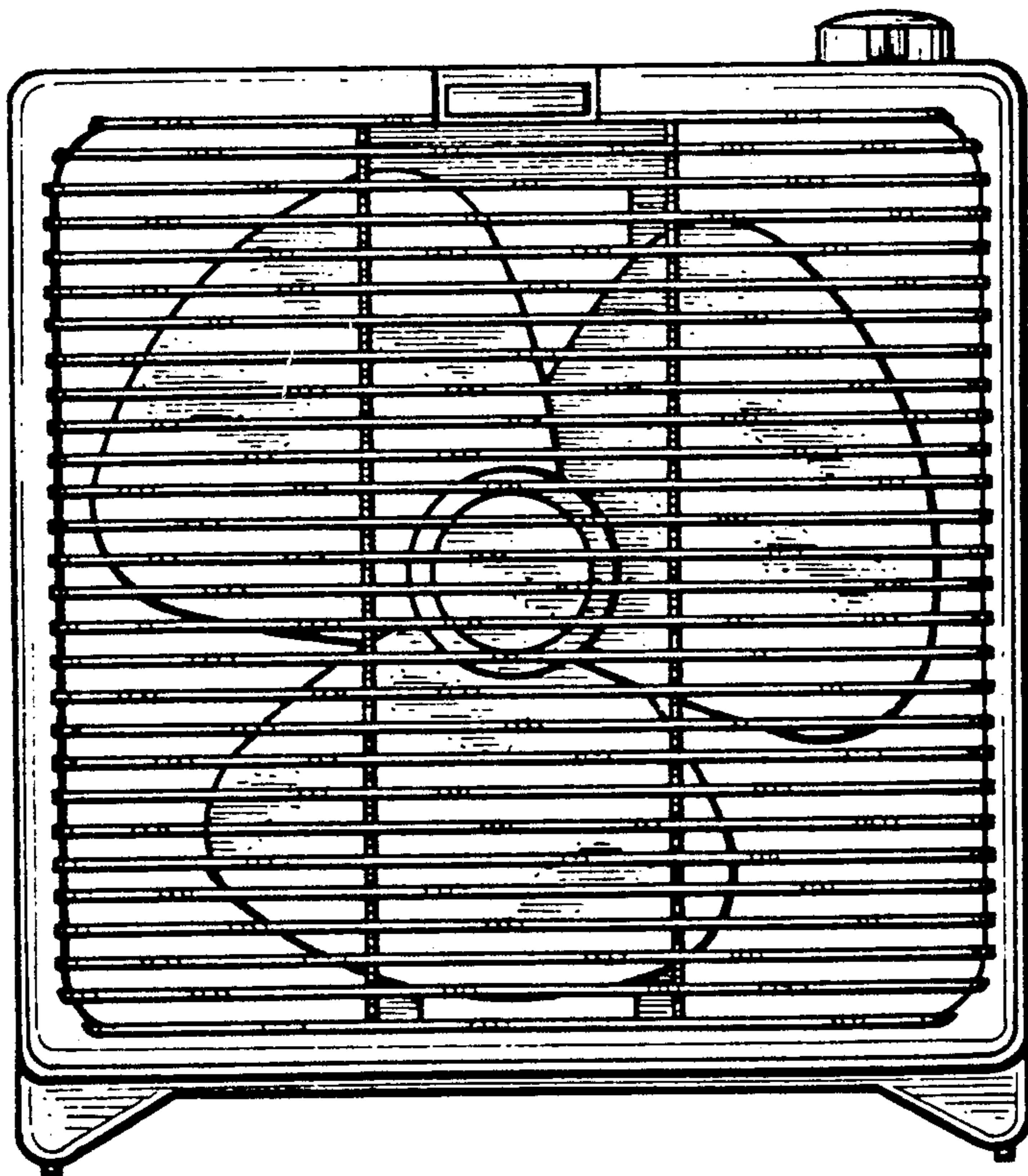


Fig. 2.

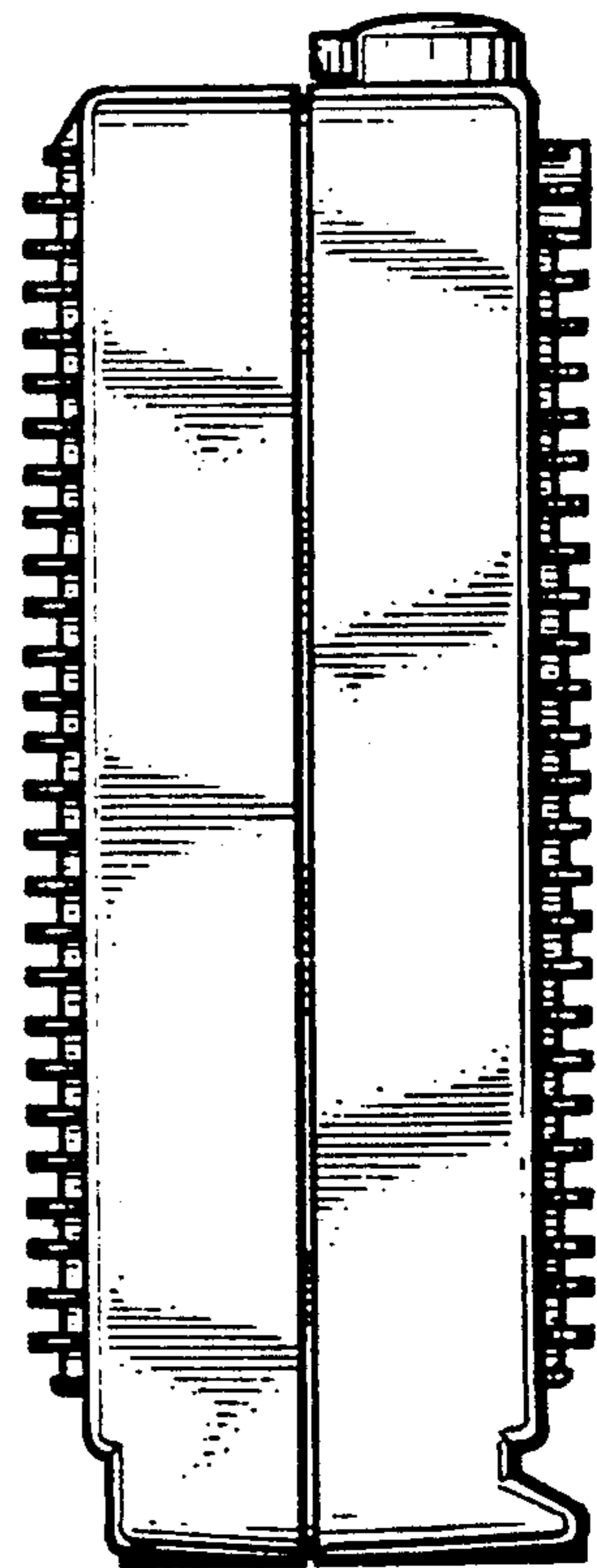


Fig. 3.

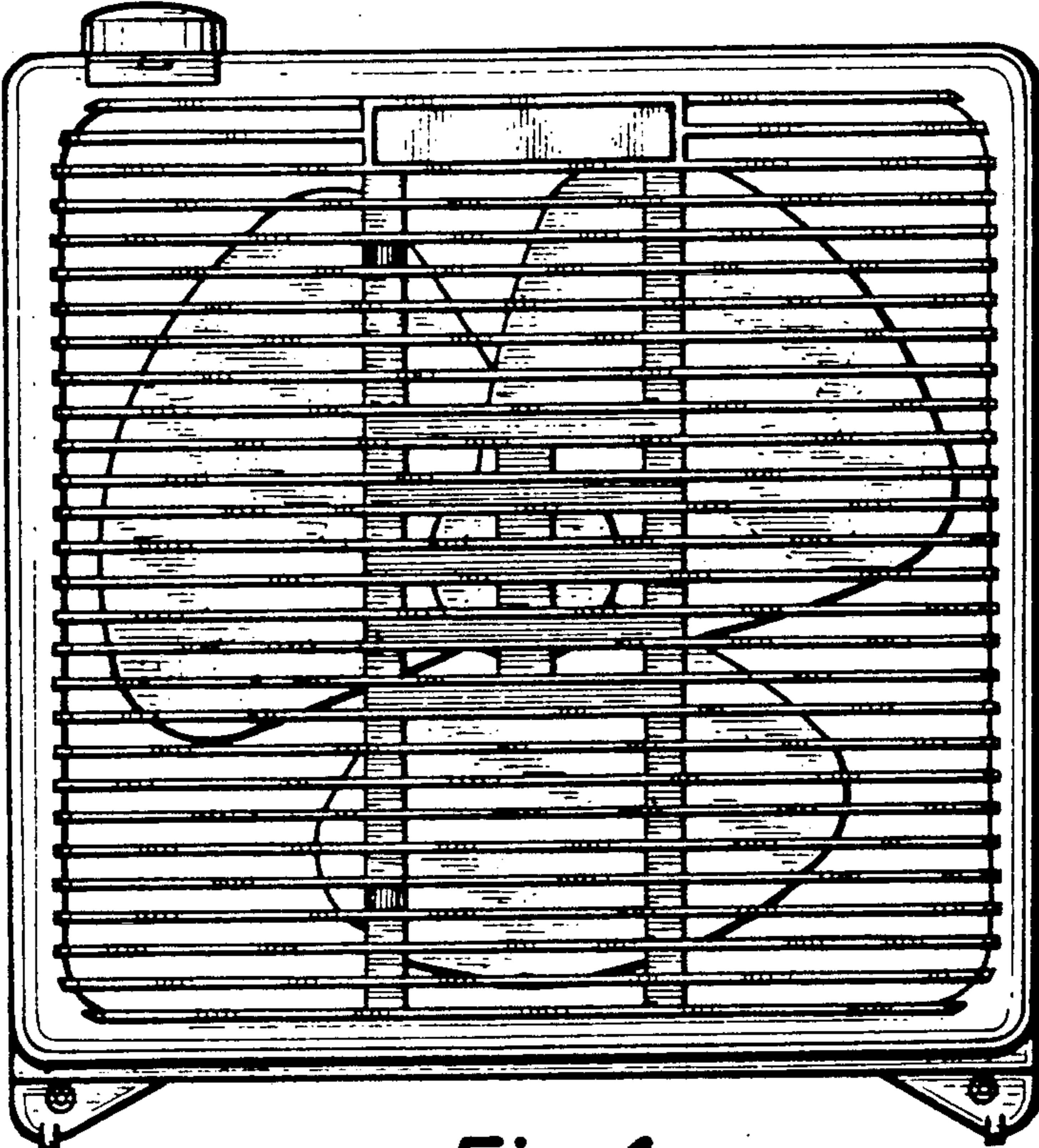


Fig. 4.

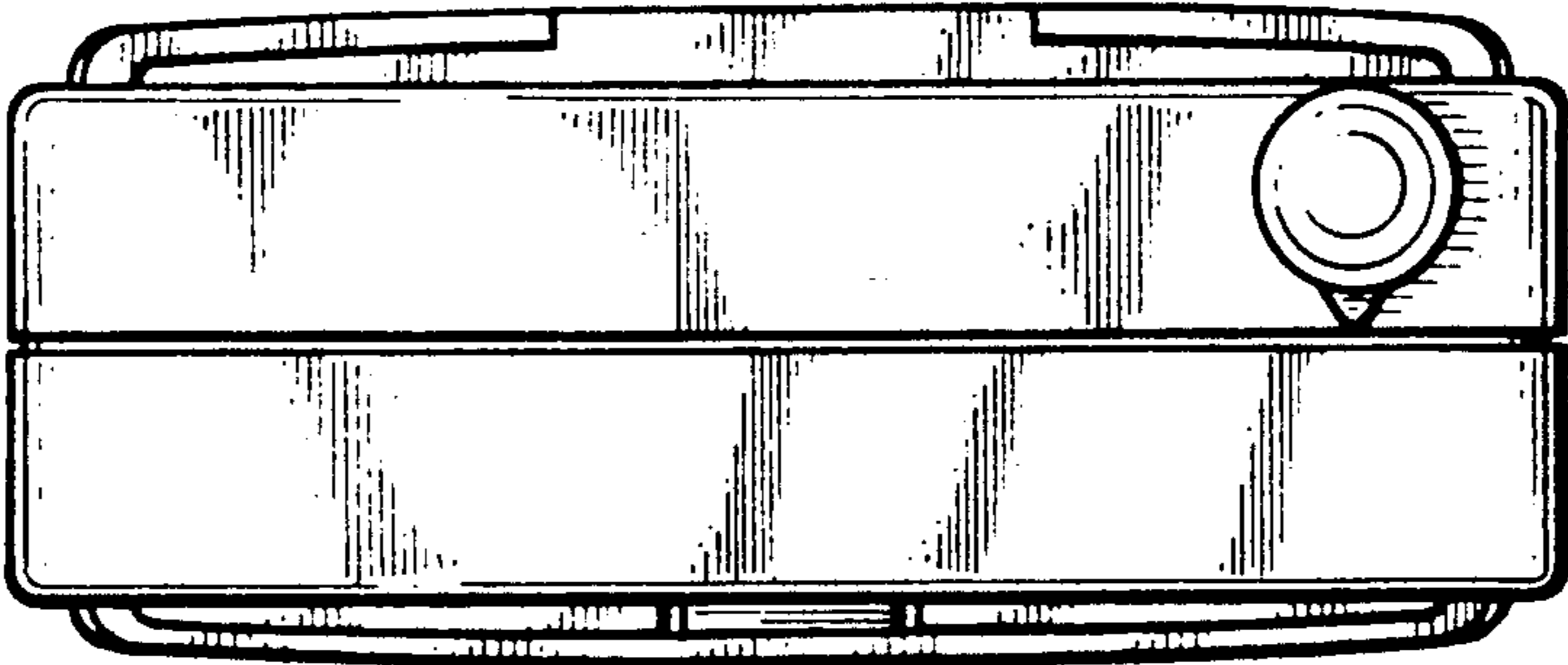


Fig. 5.

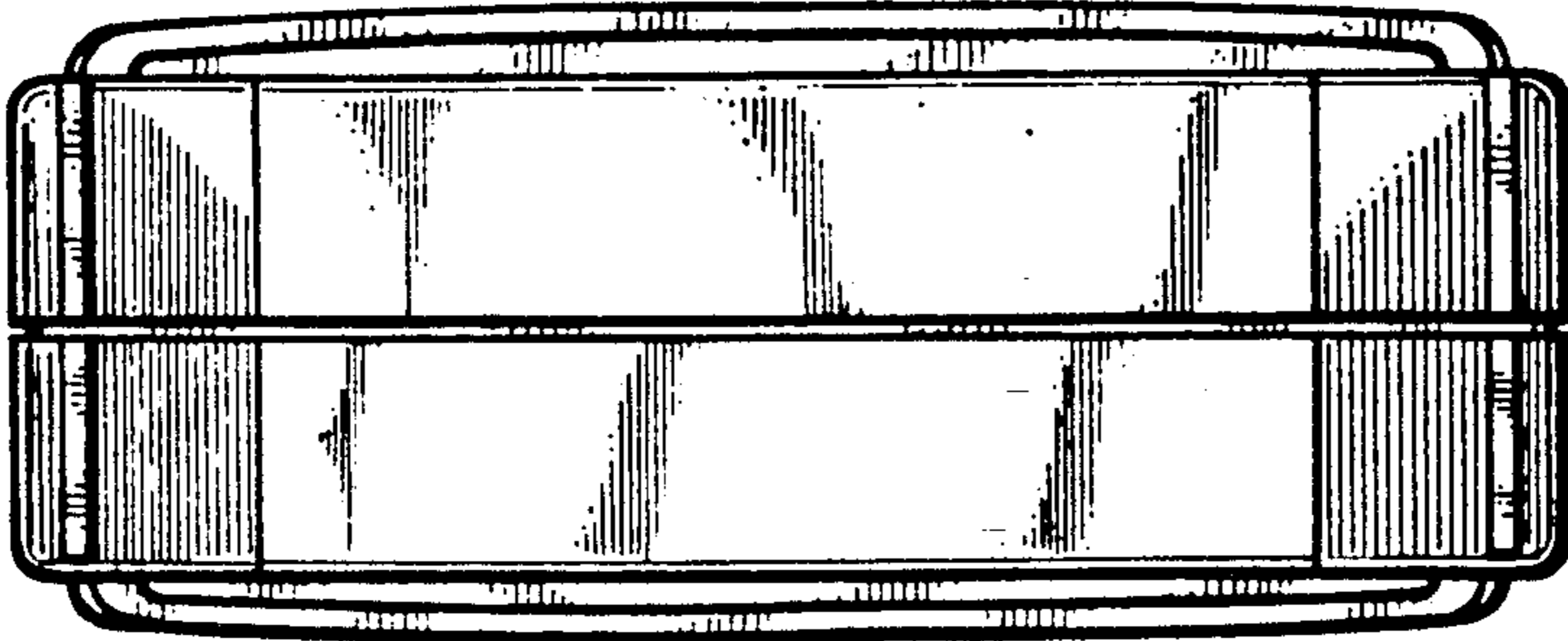


Fig. 6.