



US00D325427S

United States Patent [19]

[11] Patent Number: **Des. 325,427**

Paul

[45] Date of Patent: **** Apr. 14, 1992**

[54] FAUCET HANDLE

D. 313,065 12/1990 Strignano D23/242
D. 316,138 4/1991 Paul D23/257

[75] Inventor: **Stanley M. Paul**, Greenwich, Conn.

OTHER PUBLICATIONS

[73] Assignee: **Paul Associates, Inc.**, Long Island City, N.Y.

Paul Associates Catalog. p. 49, item #1096, p. 51, item #1095.

[**] Term: **14 Years**

Primary Examiner—James R. Largen
Attorney, Agent, or Firm—Darby & Darby

[21] Appl. No.: **534,842**

[57] CLAIM

[22] Filed: **Jun. 7, 1990**

The ornamental design for a faucet handle, as shown and described.

[52] U.S. Cl. **D23/252**

[58] Field of Search D23/238-243,
D23/250-257; D8/300, 301, 305-307, 310-312,
319, 320, 350; 4/191, 192; 16/110, 118, 119,
121, 125

DESCRIPTION

[56] References Cited

U.S. PATENT DOCUMENTS

D. 301,275 5/1989 Paul D23/242
D. 301,919 6/1989 Paul D23/252
D. 301,921 6/1989 Paul D23/257
D. 308,718 6/1990 Strignano D23/242

FIG. 1 is a top perspective view of a faucet handle showing my new design;
FIG. 2 is a left side elevational view thereof, the right side being a mirror image of the left side shown;
FIG. 3 is a front elevational view thereof, the rear being a mirror image of the front shown;
FIG. 4 is a top plan view thereof; and,
FIG. 5 is a bottom plan view thereof.

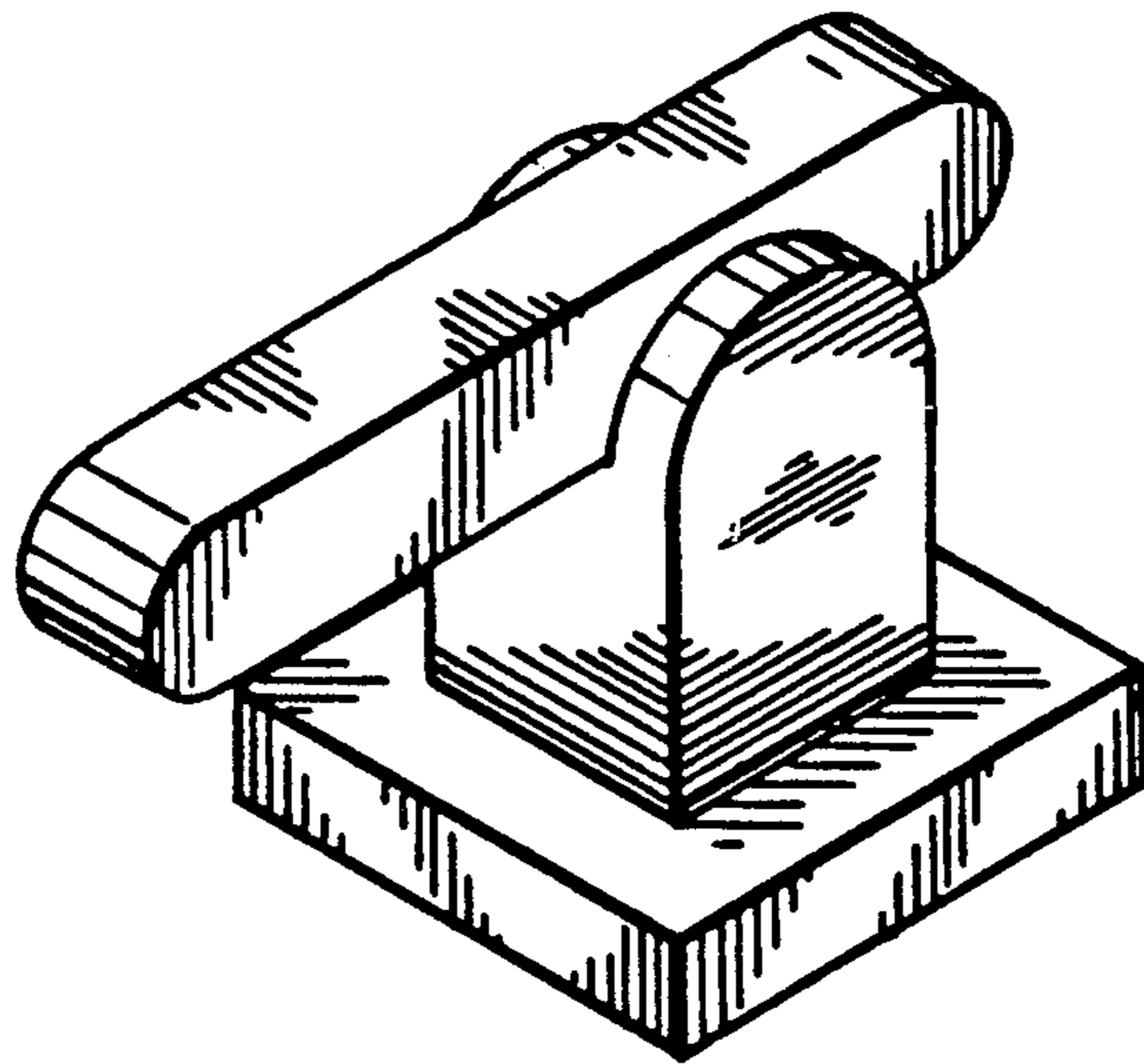


FIG. 1

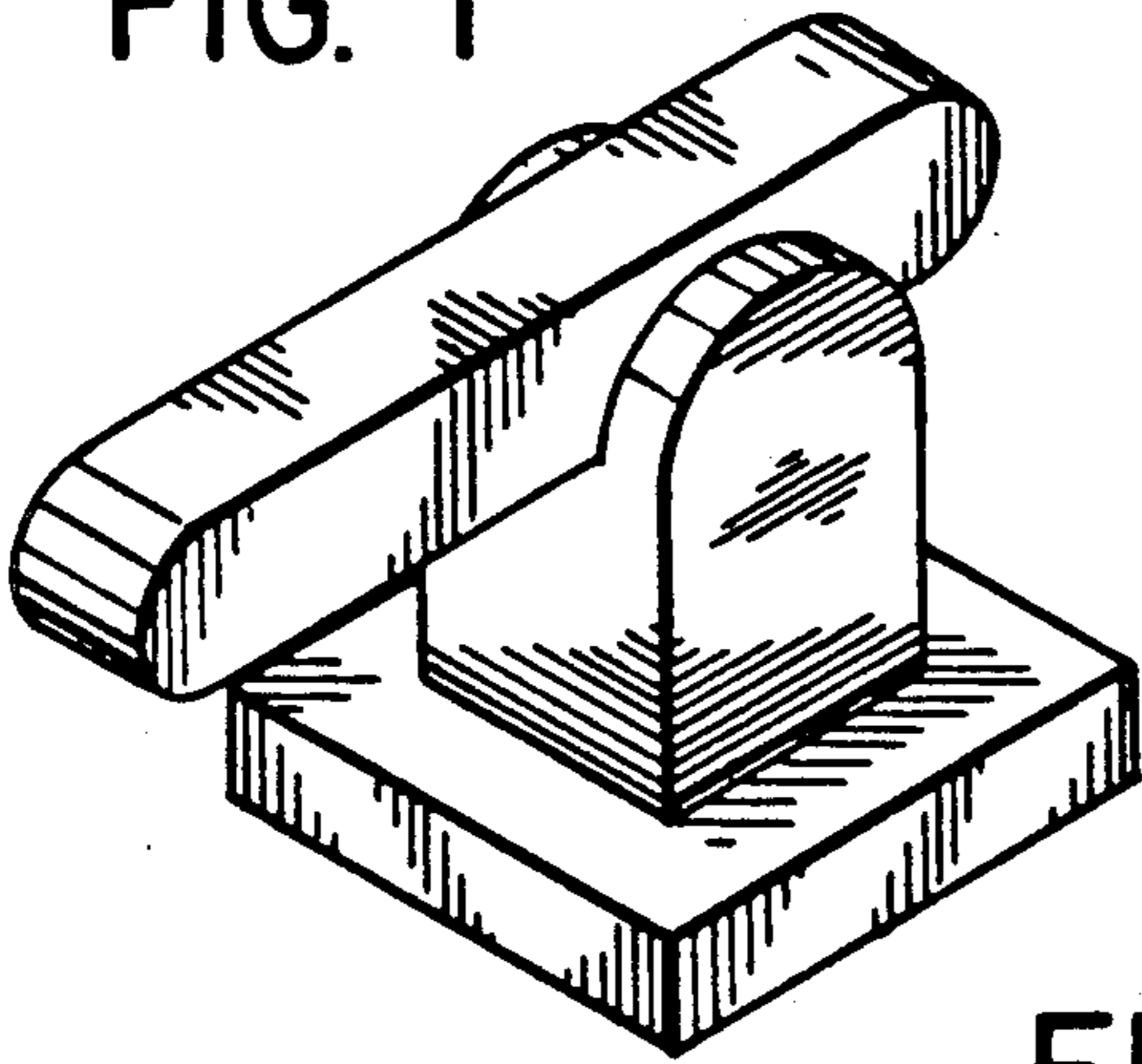


FIG. 2

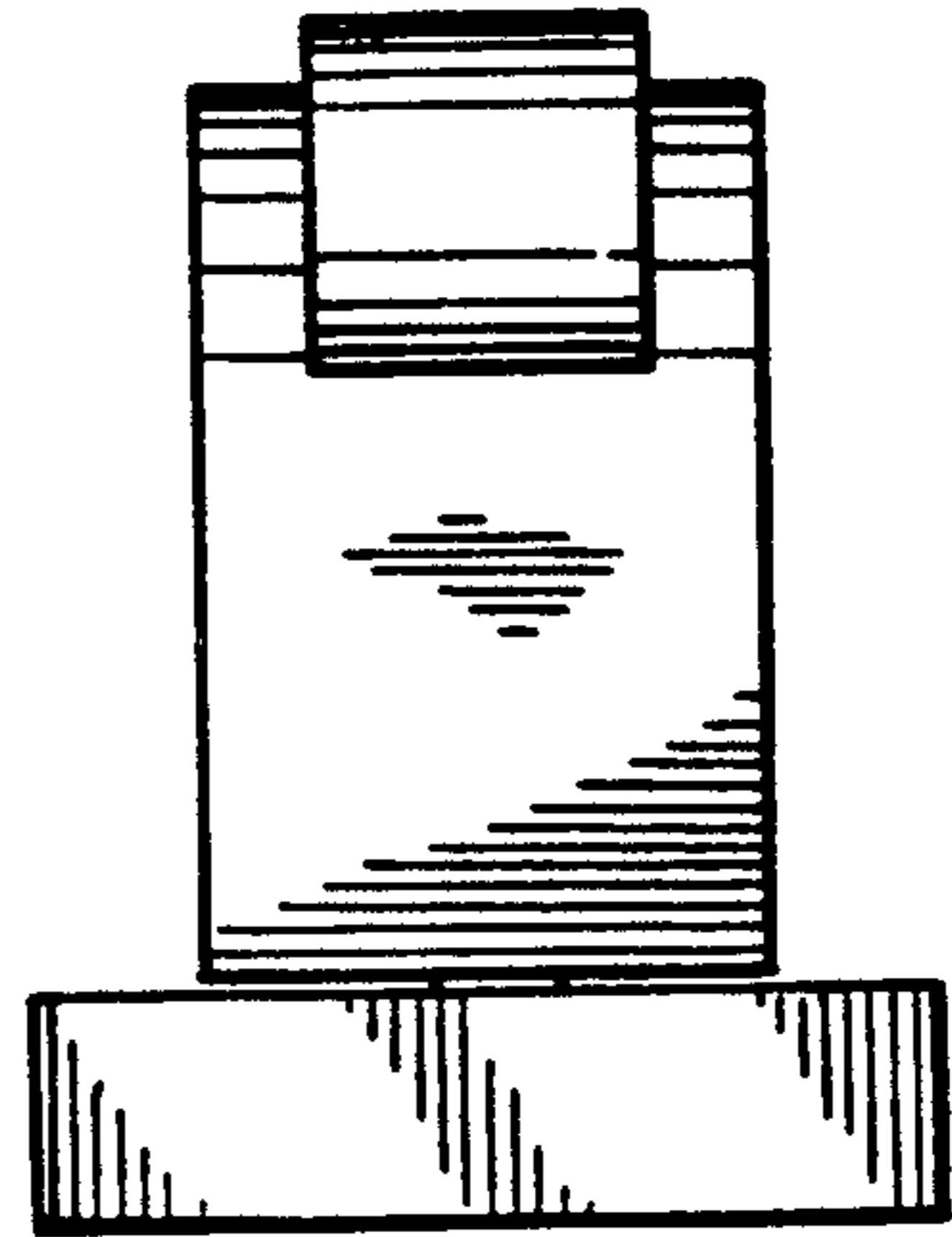


FIG. 3

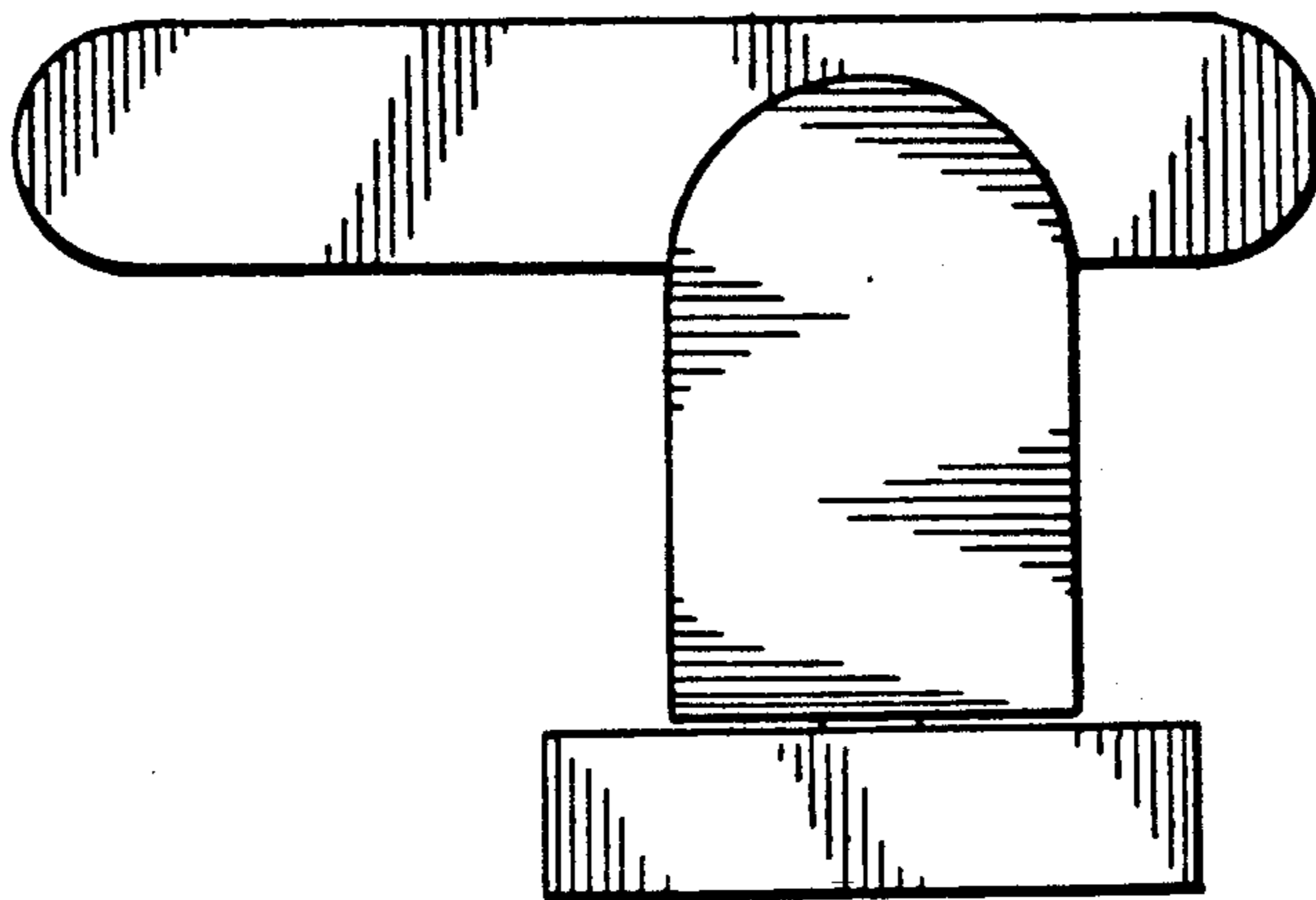


FIG. 4

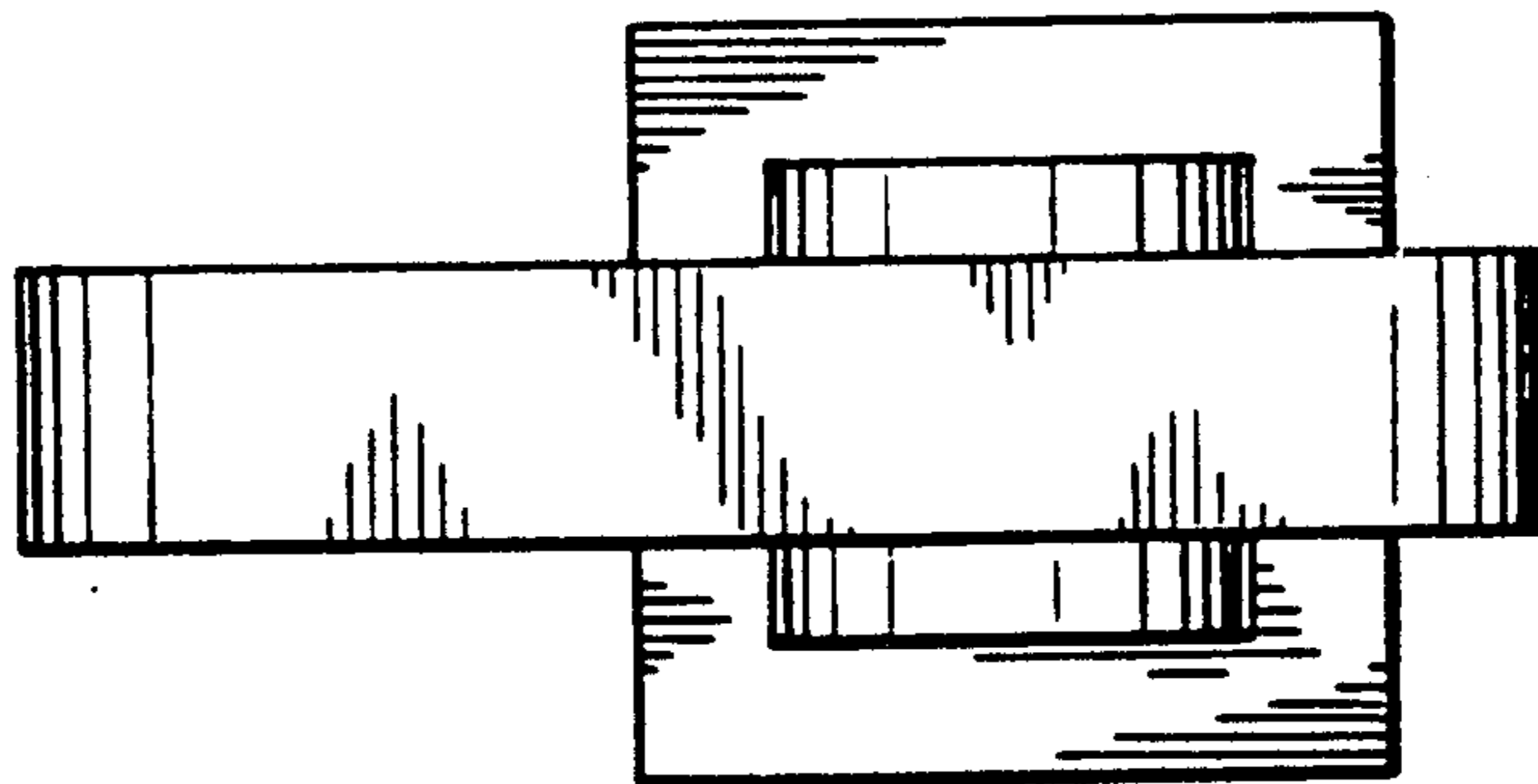


FIG. 5

