



US00D325426S

# United States Patent [19]

Paul

[11] Patent Number: **Des. 325,426**

[45] Date of Patent: **\*\* Apr. 14, 1992**

[54] FAUCET HANDLE

[75] Inventor: Stanley M. Paul, Greenwich, Conn.

[73] Assignee: Paul Associates, Inc., Long Island City, N.Y.

[\*\*] Term: 14 Years

[21] Appl. No.: 526,316

[22] Filed: May 18, 1990

[52] U.S. Cl. .... D23/252

[58] Field of Search ..... D23/238-243,  
D23/250-257; D8/300, 301, 305-307, 310-312,  
319, 320, 350; 4/191, 192; 16/110, 118, 119,  
121, 125

[56] **References Cited**

**U.S. PATENT DOCUMENTS**

D. 301.275	5/1989	Paul .....	D23/242
D. 301.919	6/1989	Paul .....	D23/252
D. 301.921	6/1989	Paul .....	D23/257
D. 308.718	6/1990	Strignano .....	D23/242

D. 313,065	12/1990	Strignano .....	D23/242
D. 316,138	4/1991	Paul .....	D23/257

**OTHER PUBLICATIONS**

Paul Associates Catalog, p. 49, item #1096, p. 51, item #1095.

*Primary Examiner*—James R. Largen  
*Attorney, Agent, or Firm*—Darby & Darby

[57] **CLAIM**

The ornamental design for a faucet handle, as shown and described.

**DESCRIPTION**

FIG. 1 is a top perspective view of a faucet handle showing my new design;  
FIG. 2 is a top plan view thereof;  
FIG. 3 is a right side elevational view thereof, the left side being a mirror image of the right side shown;  
FIG. 4 is a front elevational view thereof;  
FIG. 5 is a rear elevational view thereof; and,  
FIG. 6 is a bottom plan view thereof.

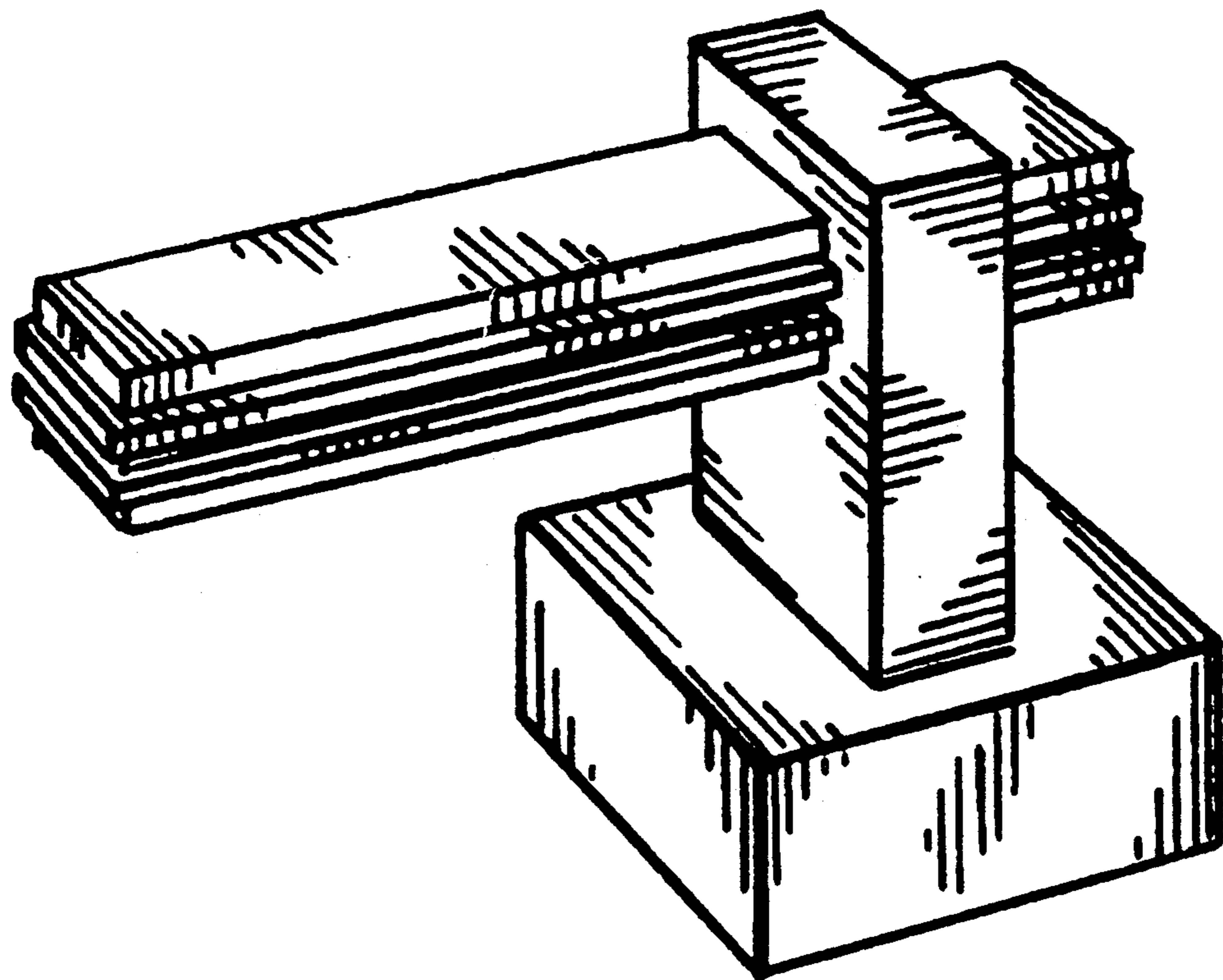


FIG. 1

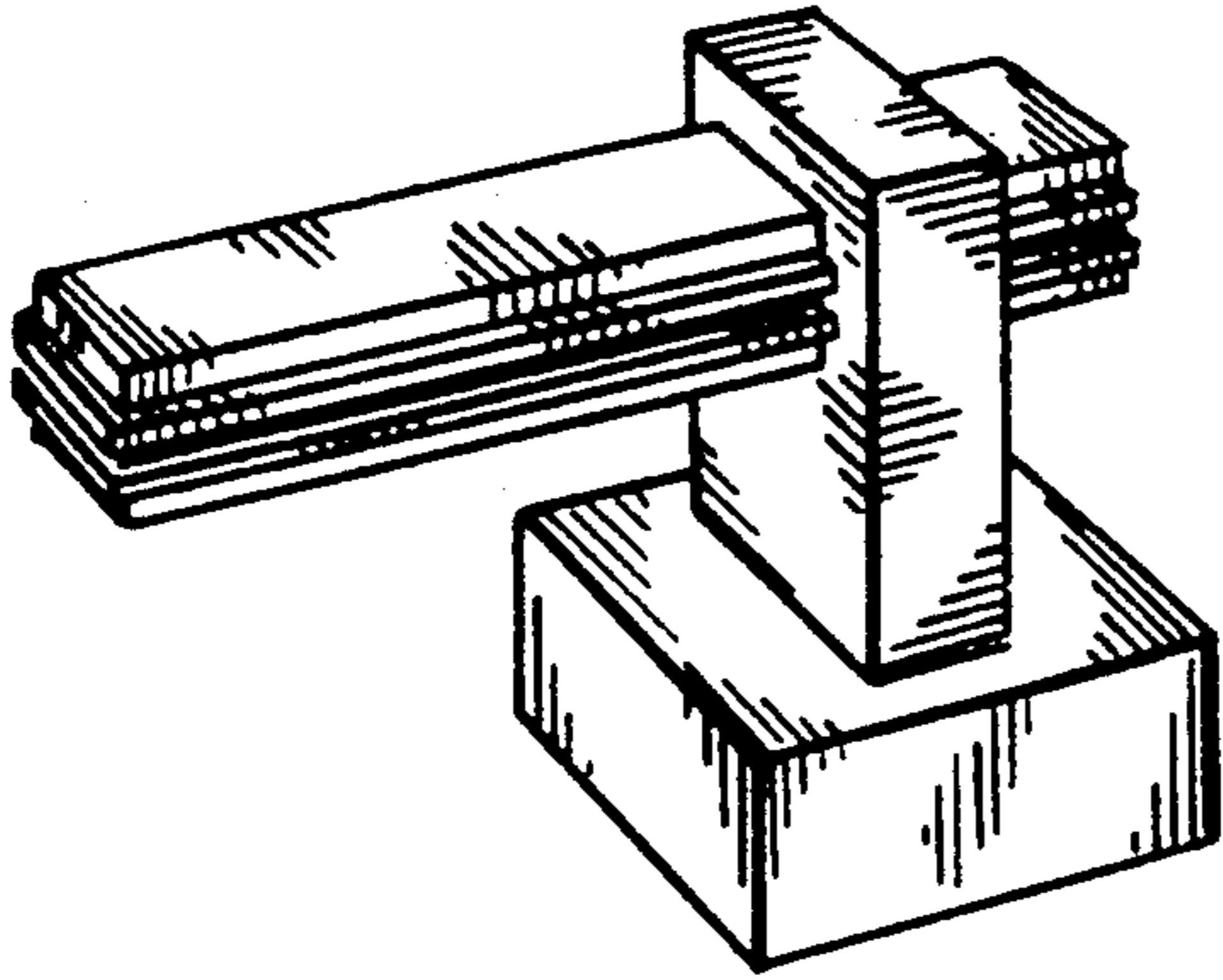


FIG. 2

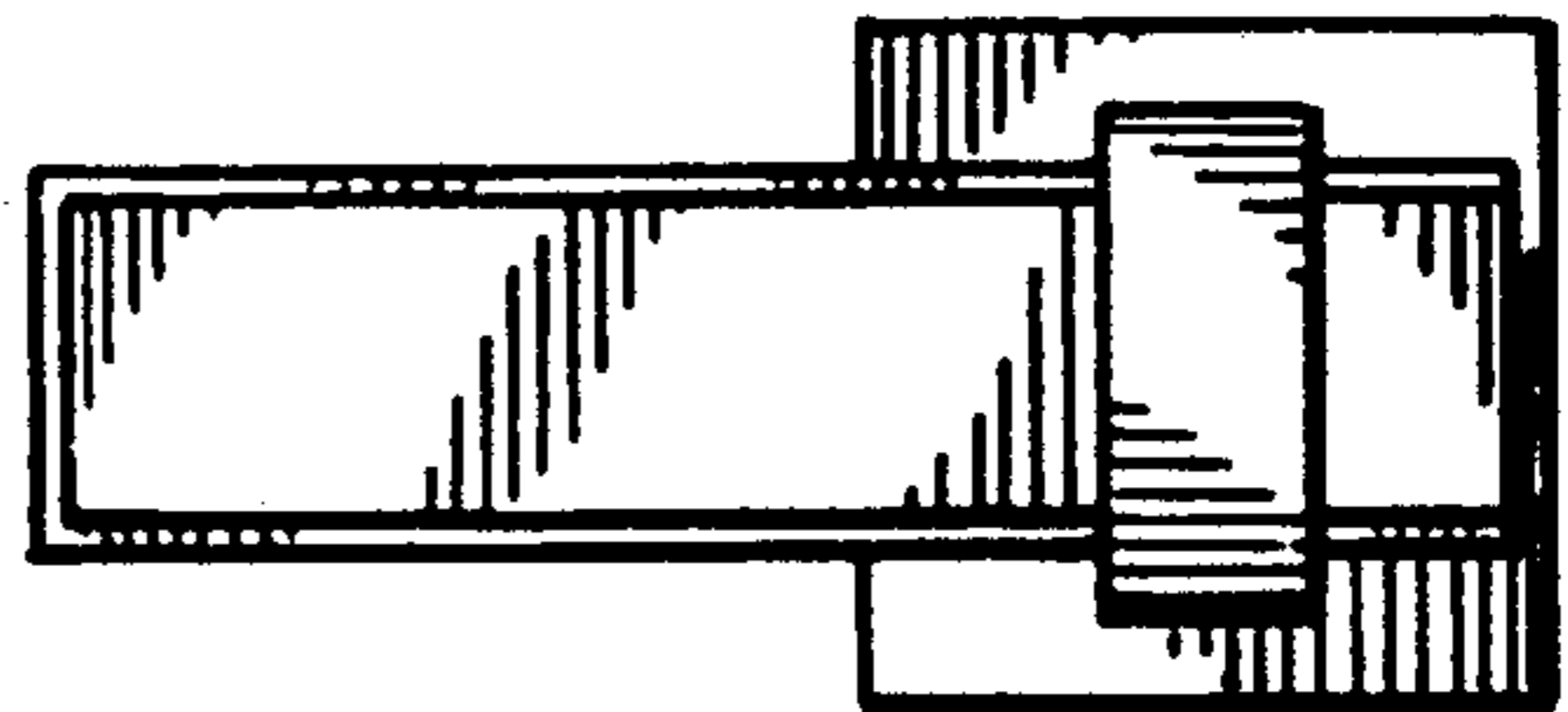


FIG. 3

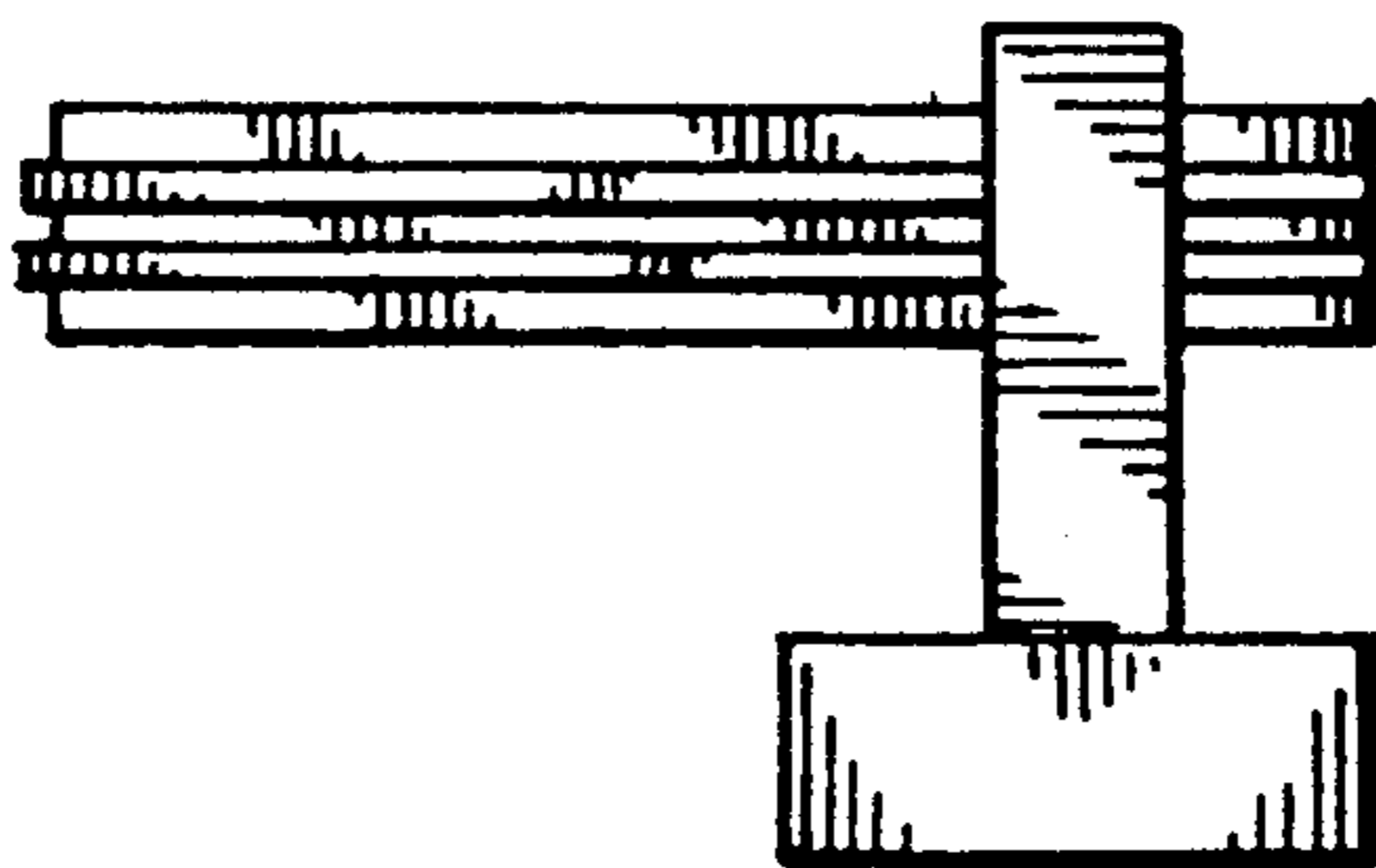


FIG. 4

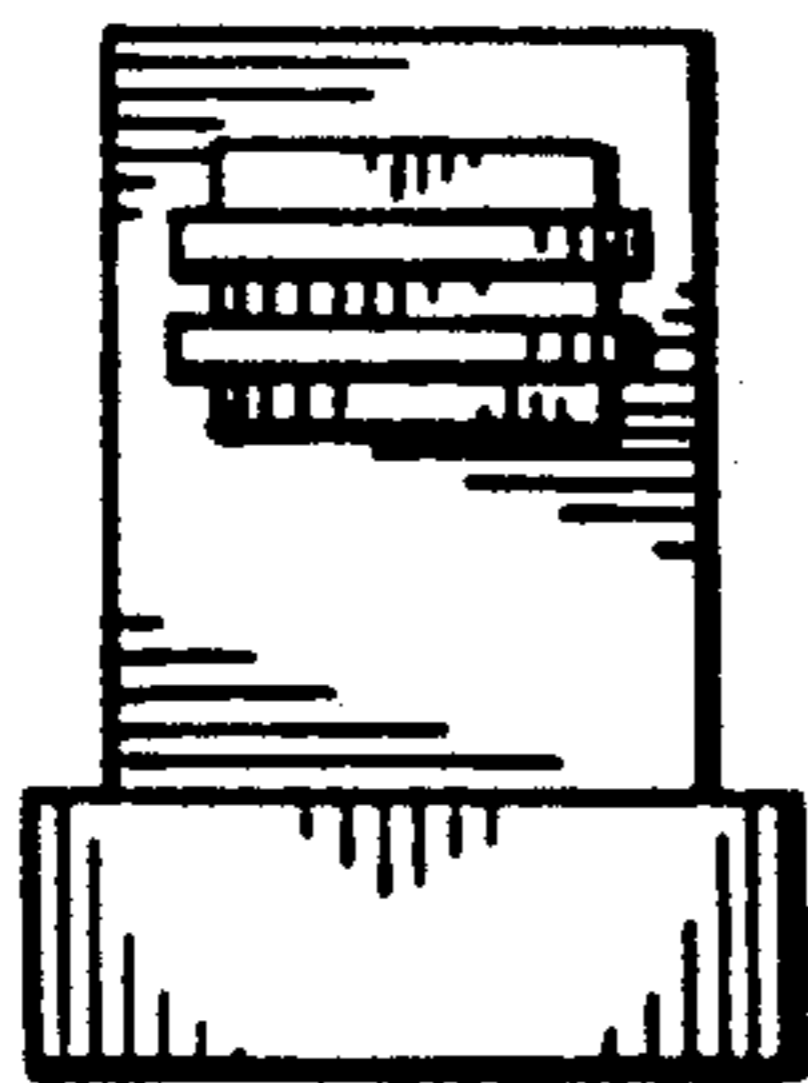


FIG. 5

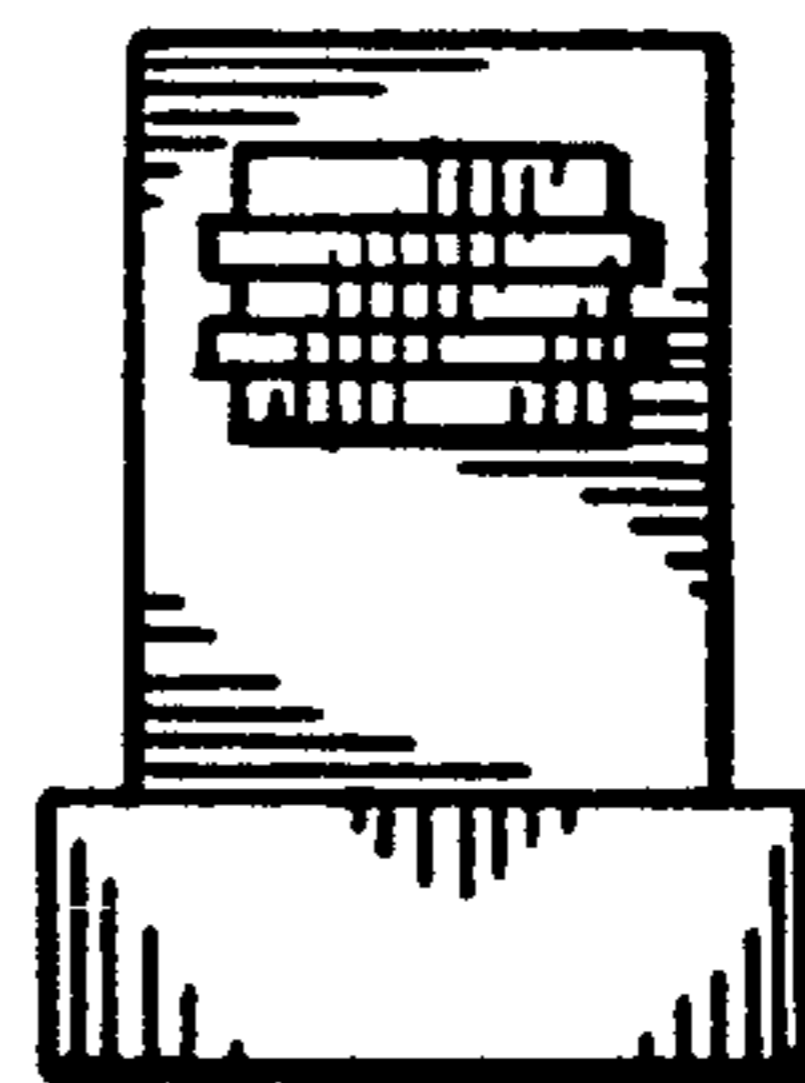


FIG. 6

