



US00D325418S

United States Patent [19]

[11] Patent Number: **Des. 325,418**

McNamara

[45] Date of Patent: **** Apr. 14, 1992**

[54] **ROLLER SKATE**

OTHER PUBLICATIONS

[75] Inventor: **George E. McNamara**, Minneapolis, Minn.

Form, 11-1979, p. 45, "Speedy" Skate at bottom of page.

[73] Assignee: **Scott B. Olson**, Bloomington, Minn.

Primary Examiner—Charles A. Rademaker
Attorney, Agent, or Firm—William L. Huebsch

[**] Term: **14 Years**

[57] CLAIM

The ornamental design for a roller skate, as shown and described.

[21] Appl. No.: **563,991**

DESCRIPTION

[22] Filed: **Jul. 19, 1990**

FIG. 1 is a right side elevational view of a roller skate, showing my new design, the left side elevational view being a mirror image thereof;

[52] U.S. Cl. **D21/226**

FIG. 2 is a top plan view thereof;

[58] Field of Search **D21/224, 225, 226;**

FIG. 3 is a bottom plan view thereof;

280/11.1 R, 11.19, 11.2, 11.3

FIG. 4 is a front elevational view thereof;

FIG. 5 is a rear elevational view thereof;

[56] References Cited

U.S. PATENT DOCUMENTS

D. 238,286	12/1975	Ochi	D21/226
D. 301,908	6/1989	Olson et al.	D21/226
3,229,989	1/1966	Papangelis	D21/226
3,900,203	8/1975	Kukulowicz	280/11.2
4,273,345	6/1981	Ben-Dor et al.	280/11.2
4,711,458	12/1987	Shim	280/11.22

FIG. 6 is a right front perspective view thereof with the two attachment plates removed;

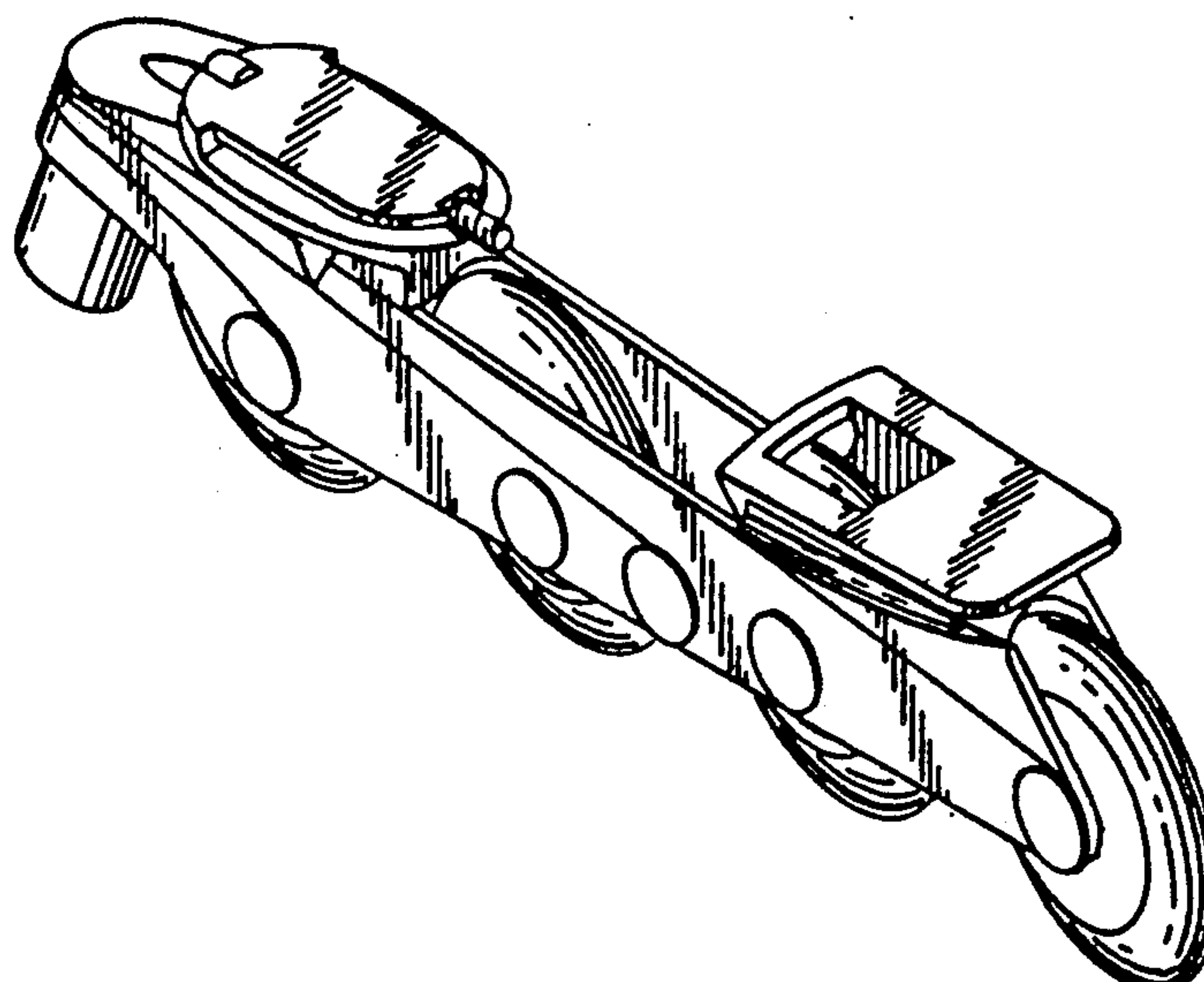
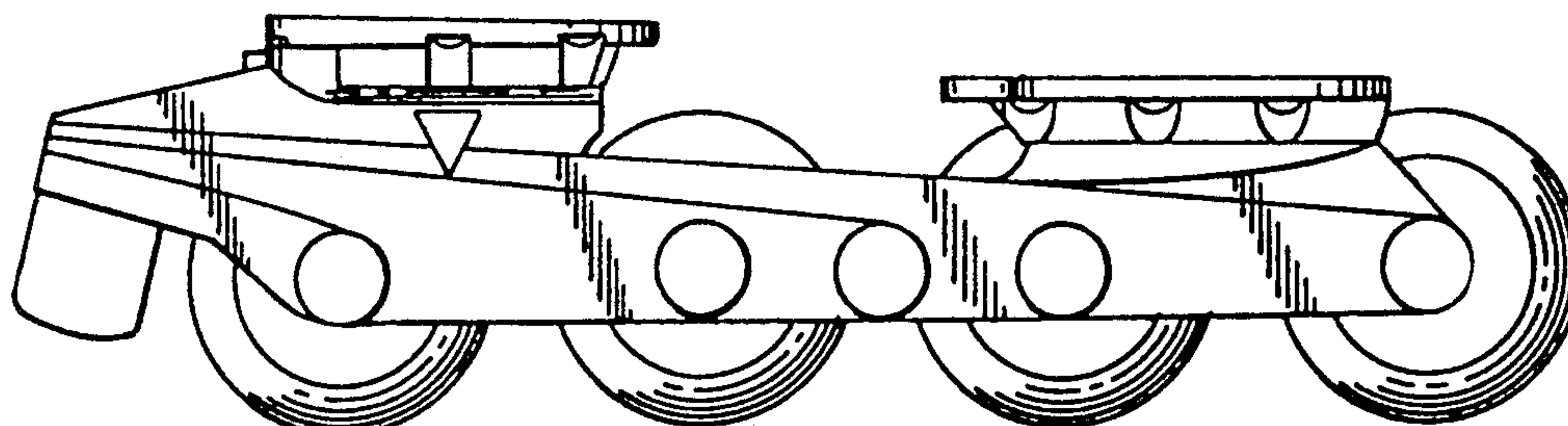
FIG. 7 is a right side elevational view thereof, the left side elevational view thereof being the mirror image thereof;

FIG. 8 is a top plan view thereof;

FIG. 9 is a bottom plan view thereof;

FIG. 10 is a front elevational view thereof; and,

FIG. 11 is a rear elevational view thereof.



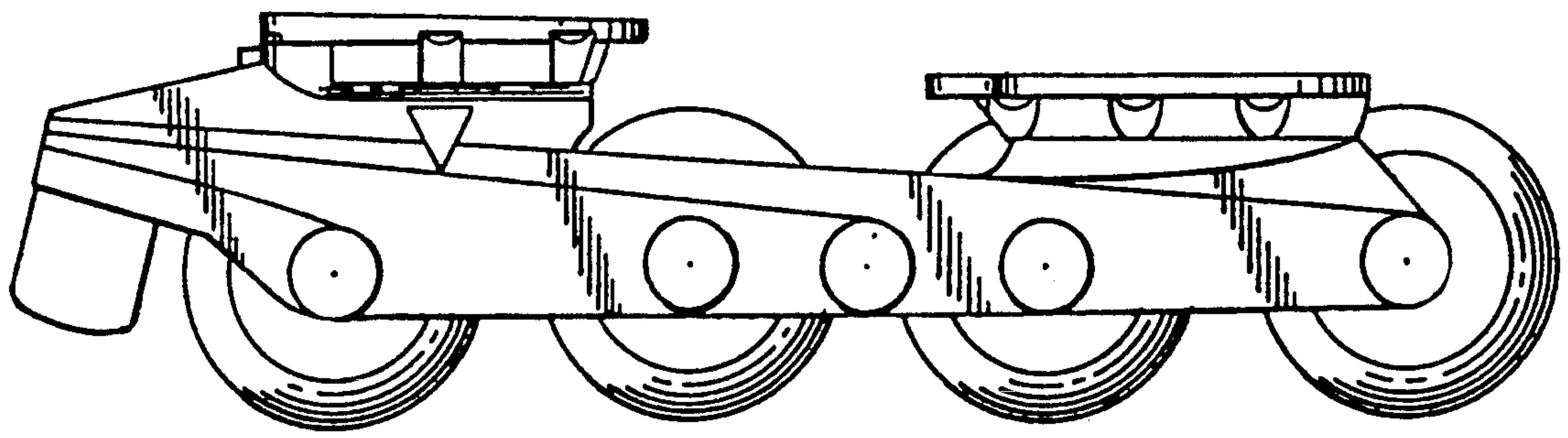


FIG. 1

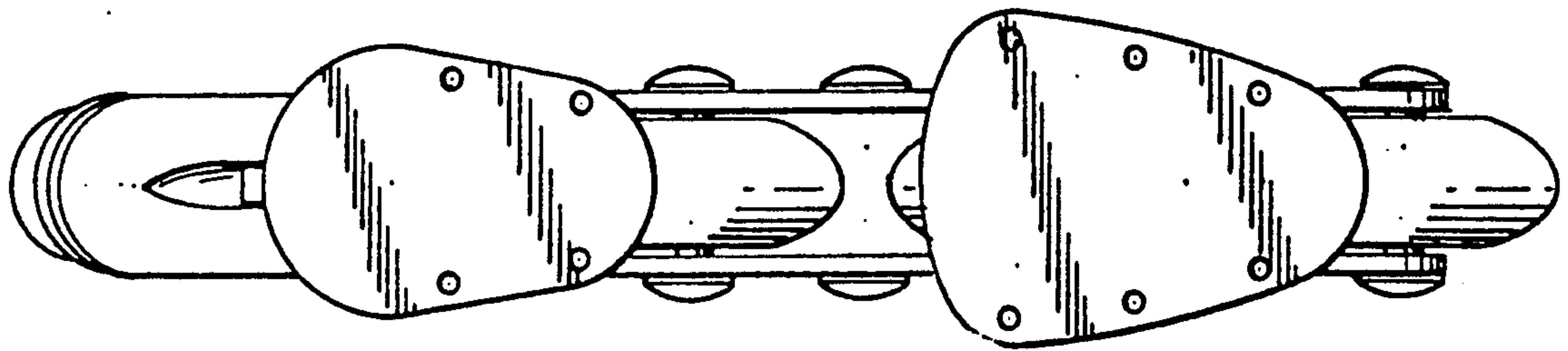


FIG. 2

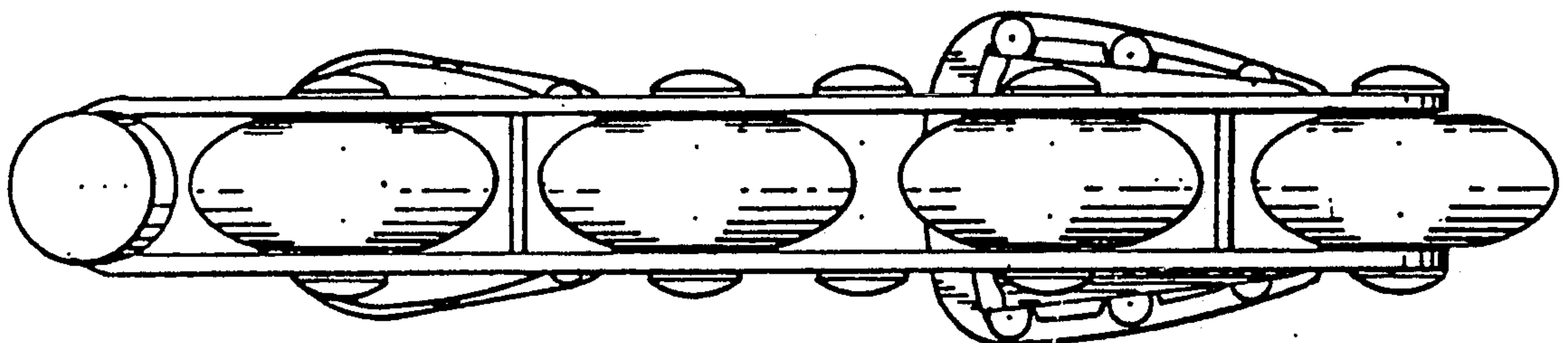


FIG. 3

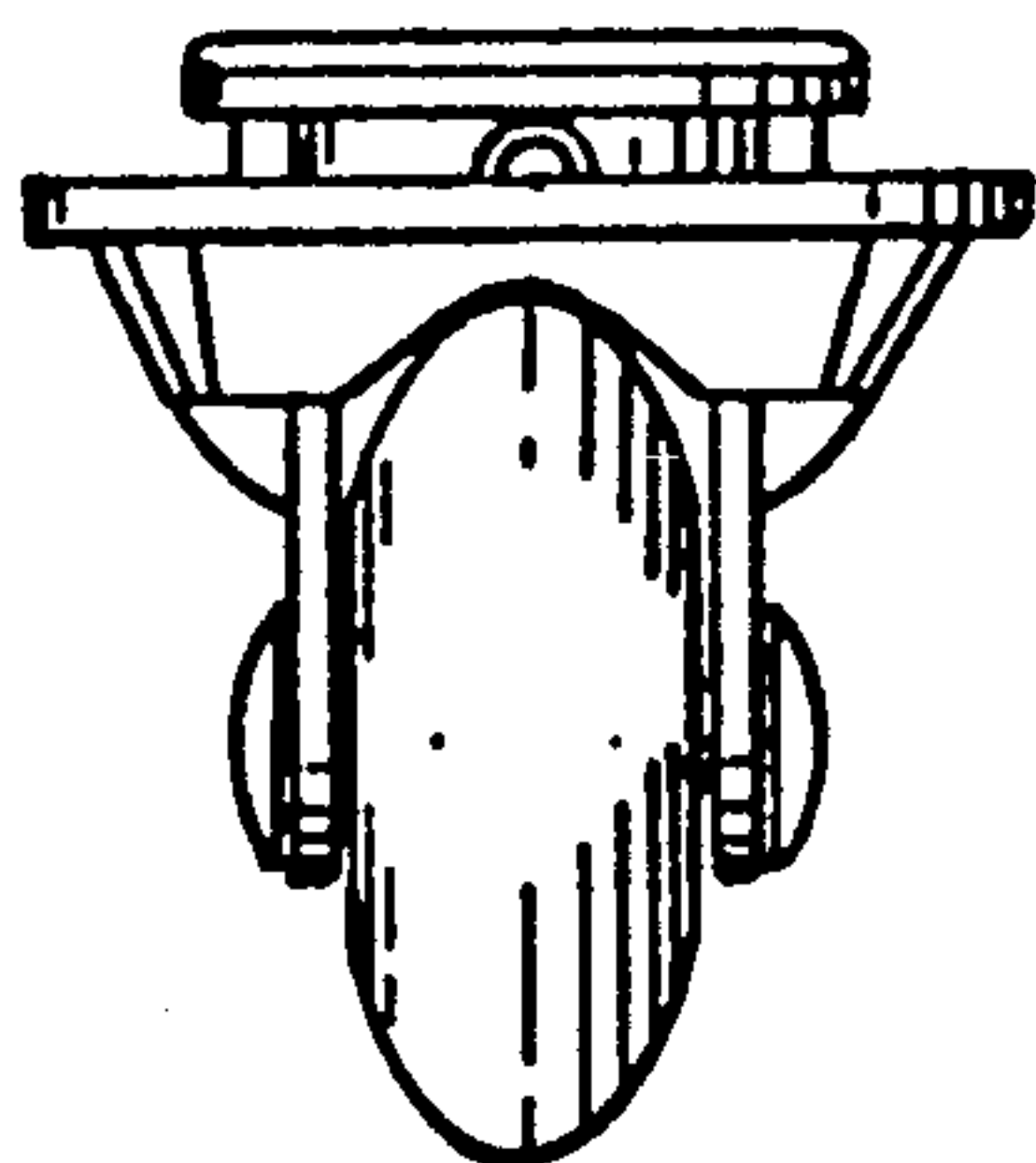


FIG. 4

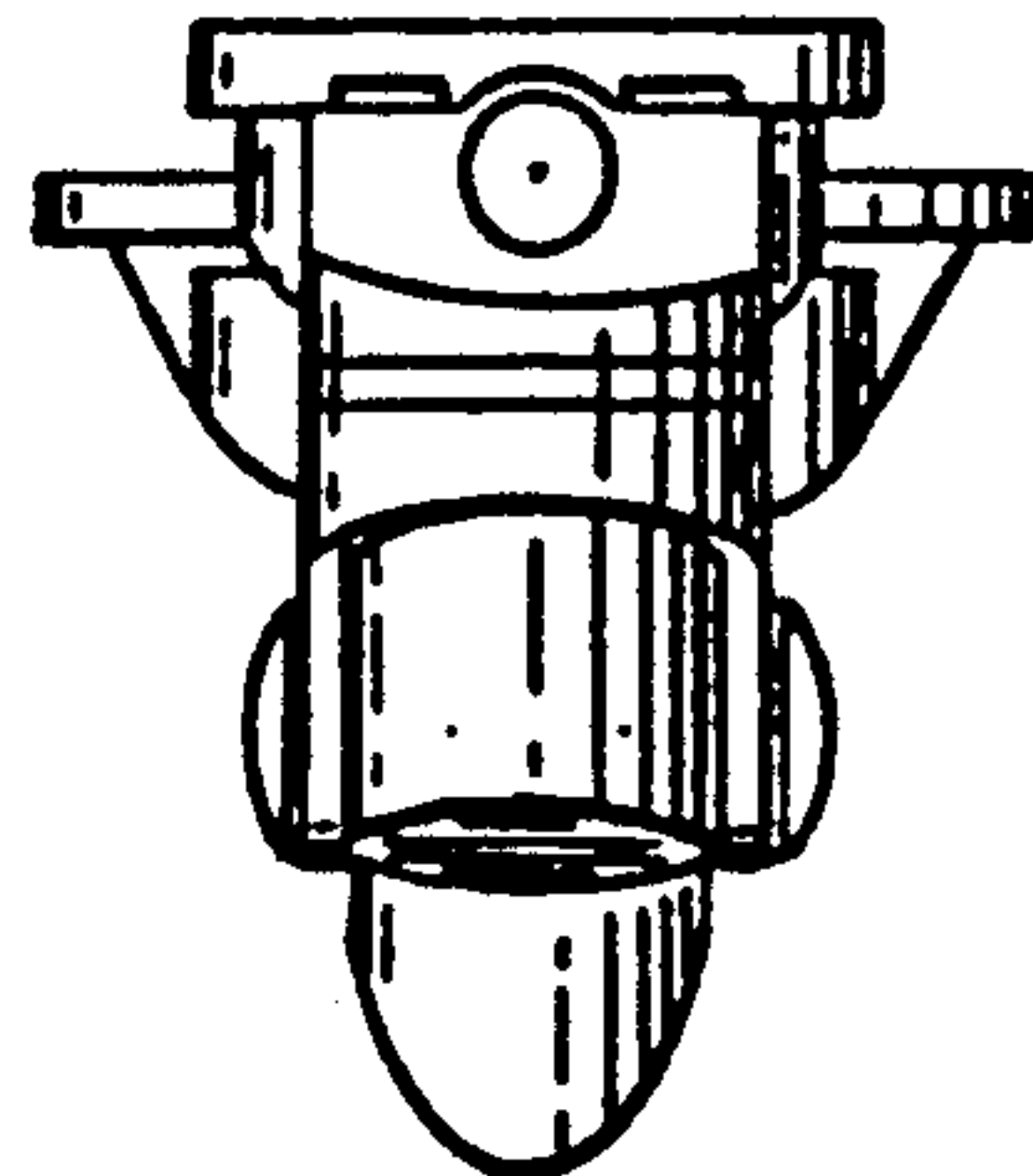


FIG. 5

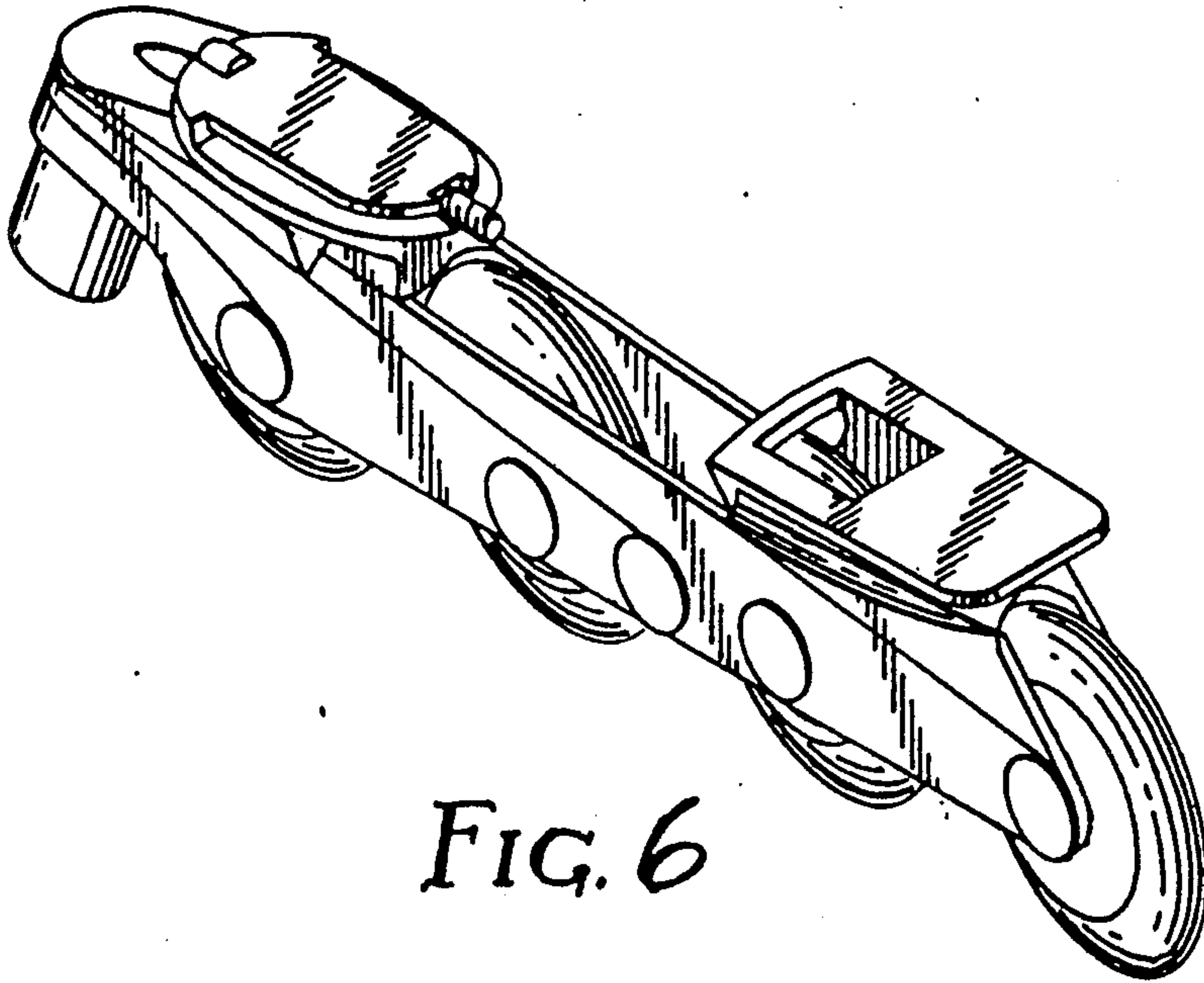


FIG. 6

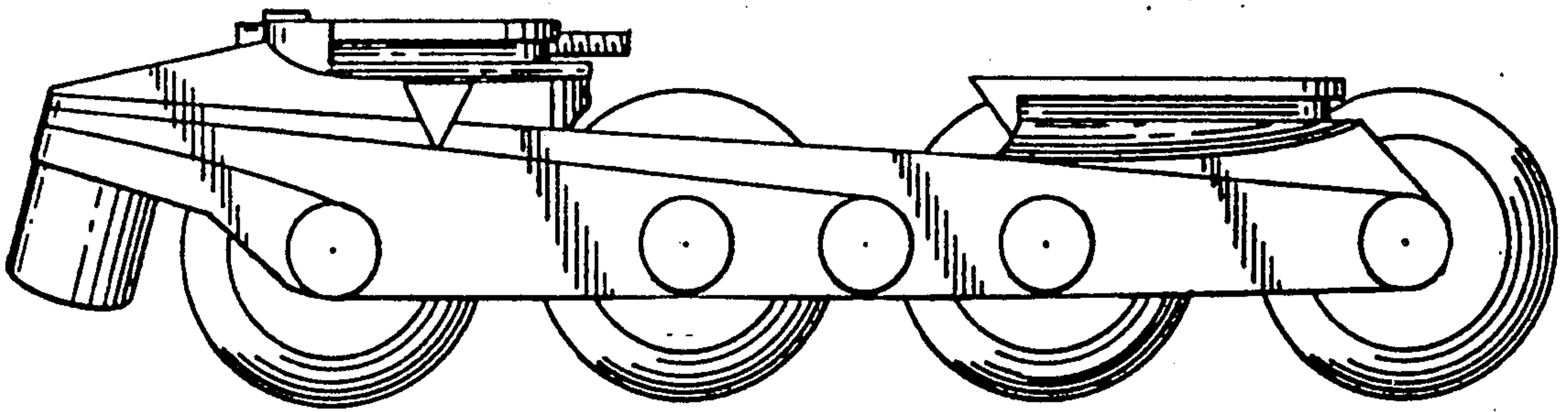


FIG. 7

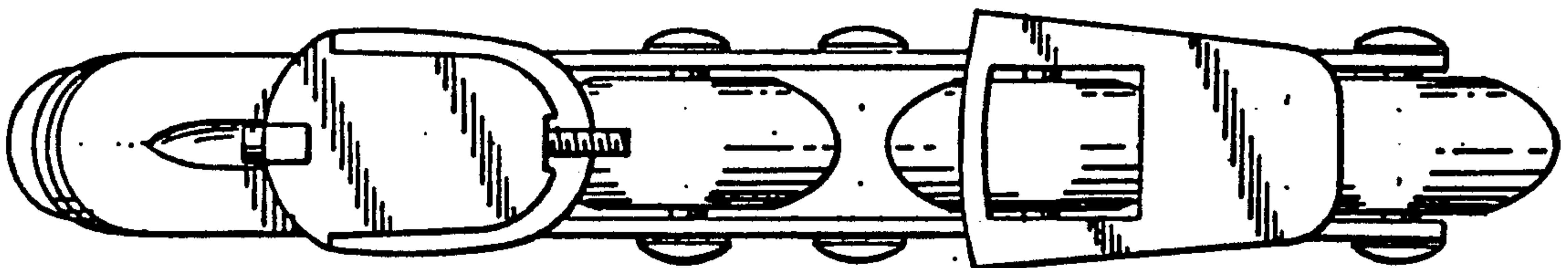


FIG. 8

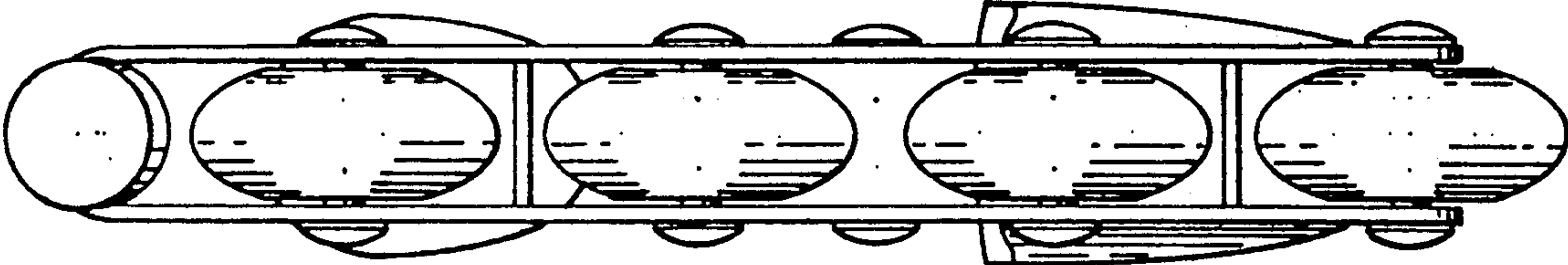


FIG. 9

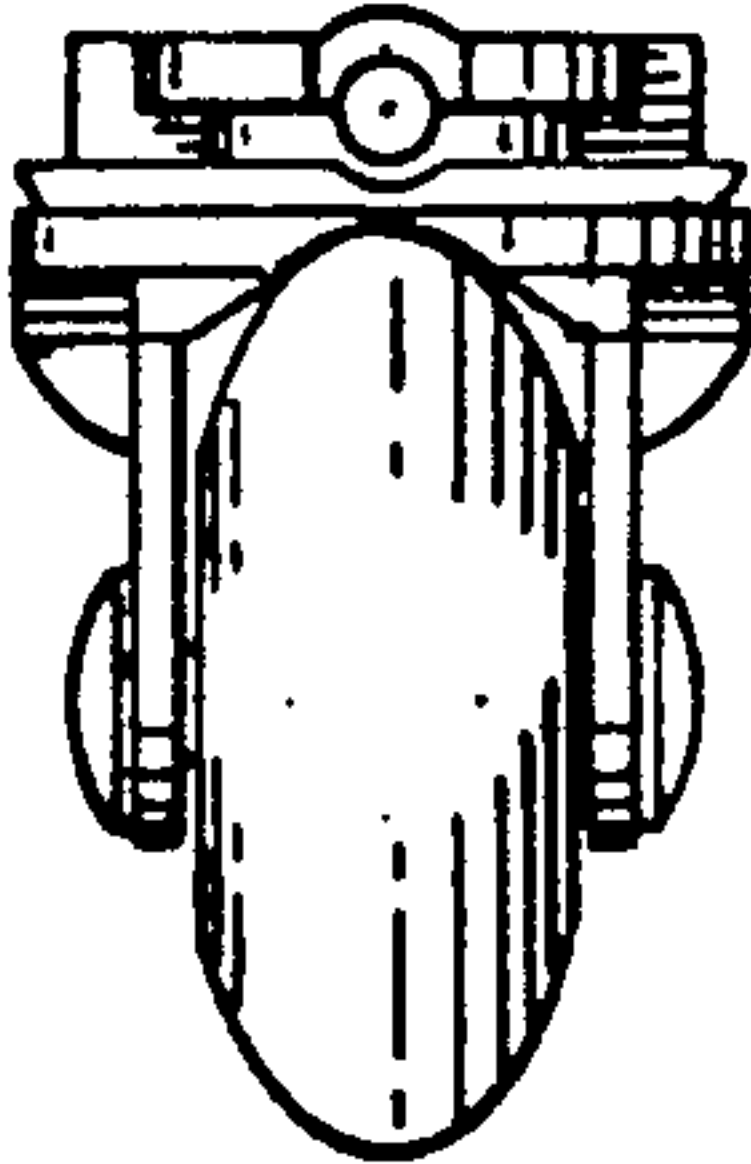


FIG. 10

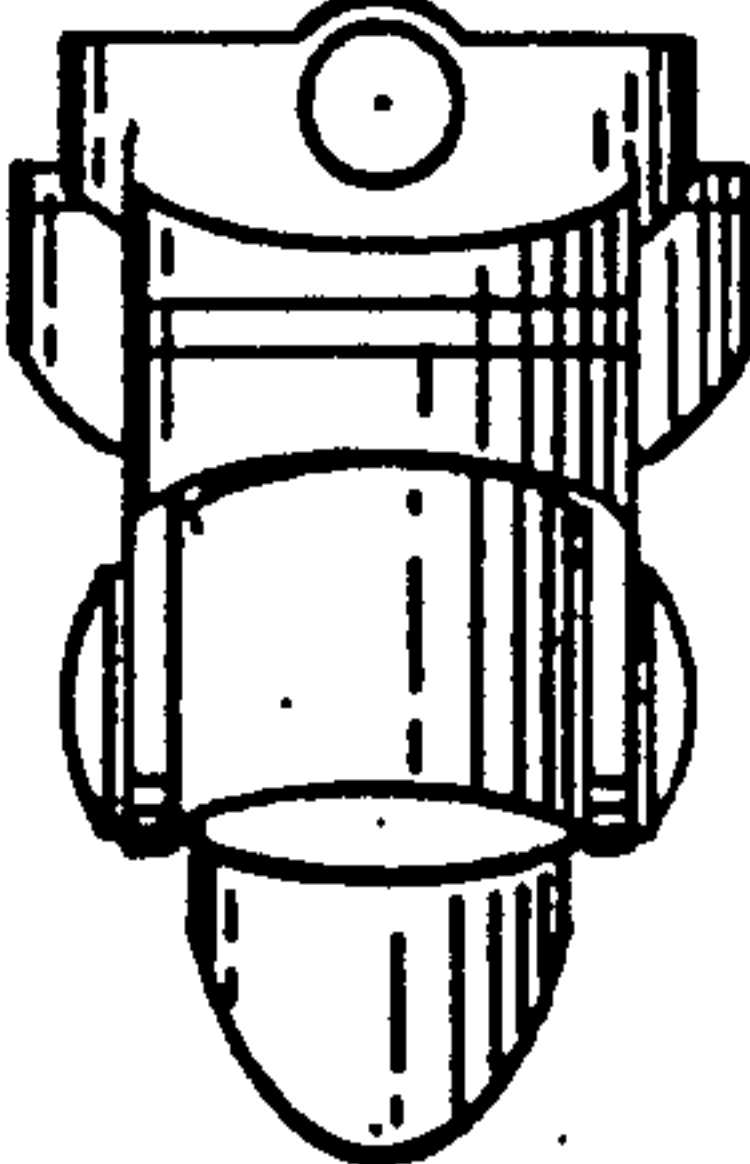


FIG. 11