



US00D325413S

United States Patent [19]

[11] Patent Number: **Des. 325,413**

Antonious

[45] Date of Patent: **** Apr. 14, 1992**

[54] GOLF CLUB HEAD

[76] Inventor: **Anthony J. Antonious**, 205 E. Joppa Rd., Towson, Md. 21204

[*] Notice: The portion of the term of this patent subsequent to Mar. 24, 2006 has been disclaimed.

[**] Term: **14 Years**

[21] Appl. No.: **317,345**

[22] Filed: **Mar. 2, 1989**

[52] U.S. Cl. **D21/217**

[58] Field of Search **D21/214-220;**
273/164, 167-175

[56] References Cited

U.S. PATENT DOCUMENTS

- D. 202,715 11/1965 Solheim D21/219
- D. 305,680 1/1990 Cook D21/219

OTHER PUBLICATIONS

Golf Digest. Jun., 1986, bottom, putter.

Primary Examiner—Melvin B. Feifer
Attorney, Agent, or Firm—N. J. Aquilino

[57] CLAIM

The ornamental design for a golf club head, as shown and described.

DESCRIPTION

FIG. 1 is a rear perspective view of a golf club head showing my new design;
 FIG. 2 is a top plan view thereof;
 FIG. 3 is a front elevational view thereof;
 FIG. 4 is a bottom view thereof;
 FIG. 5 is an end sectional view thereof;
 FIG. 6 is an end elevational view taken from the opposite side of FIG. 5; and,
 FIG. 7 is a sectional view taken along line 7—7 of FIG. 1.

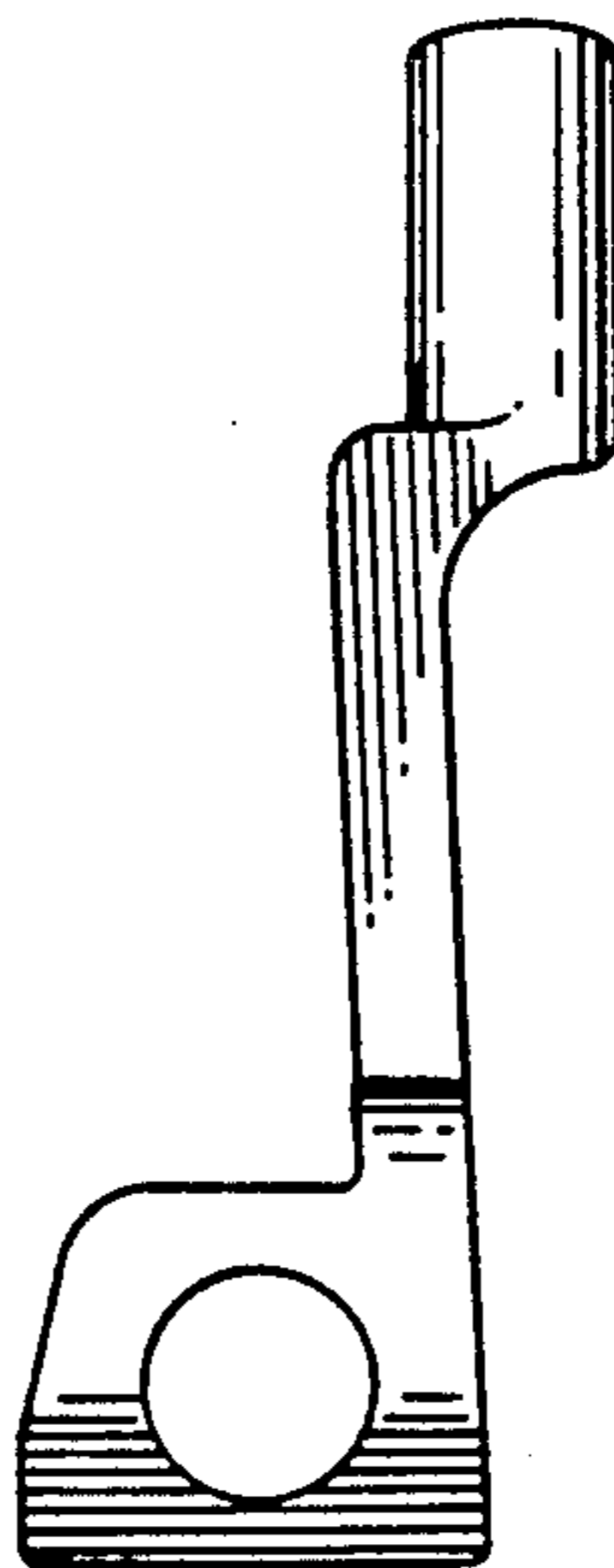
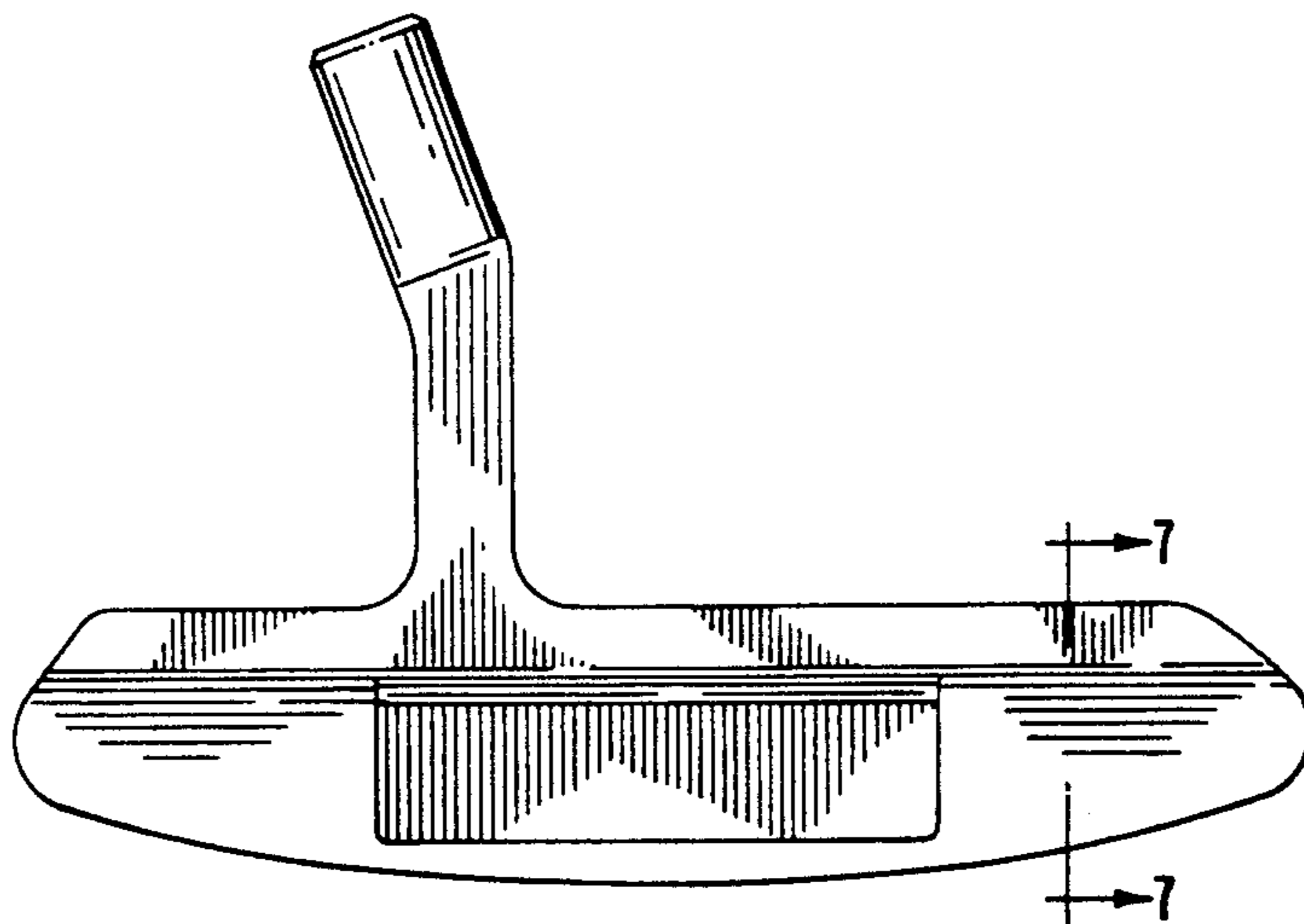


FIG. 1

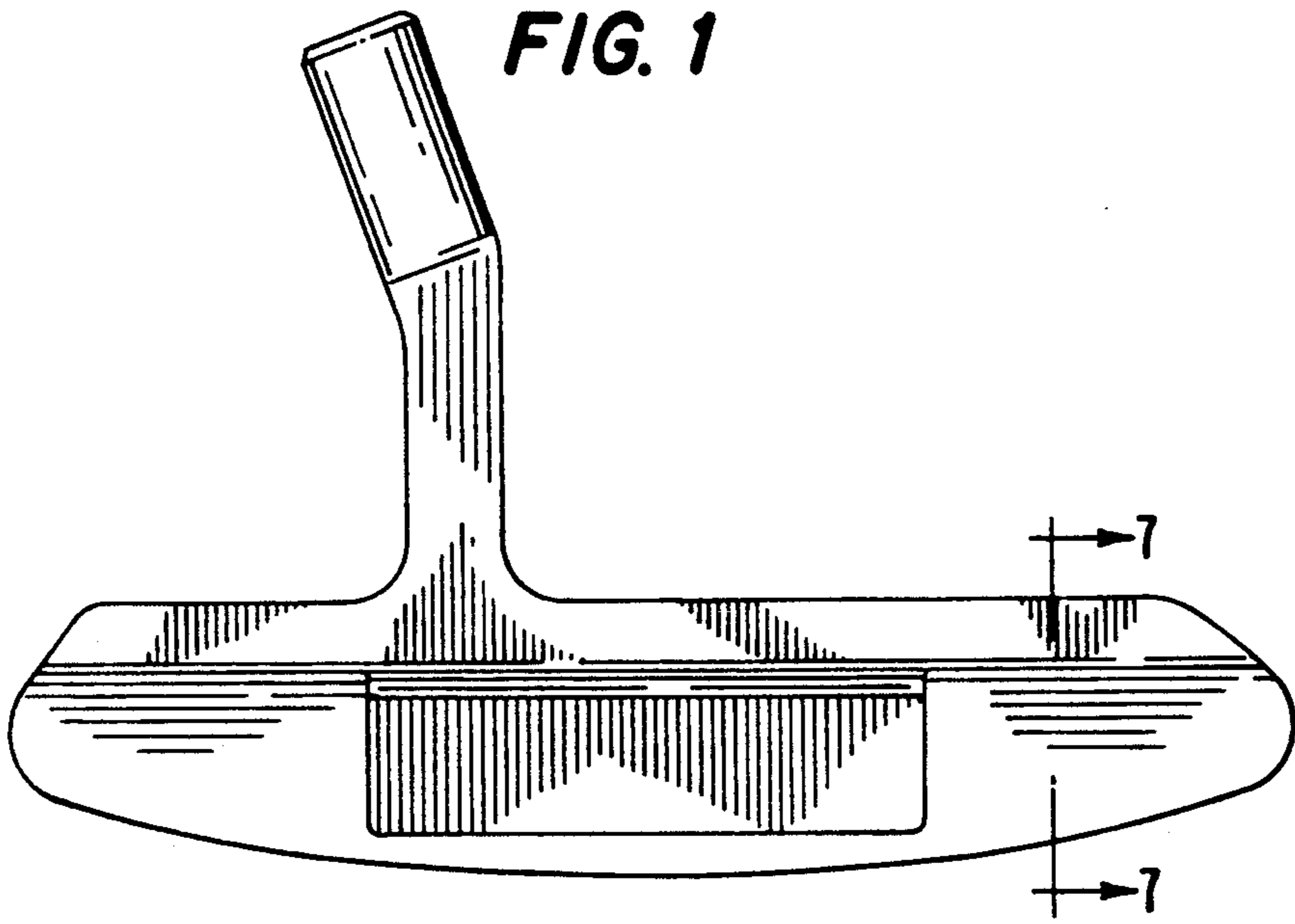


FIG. 2

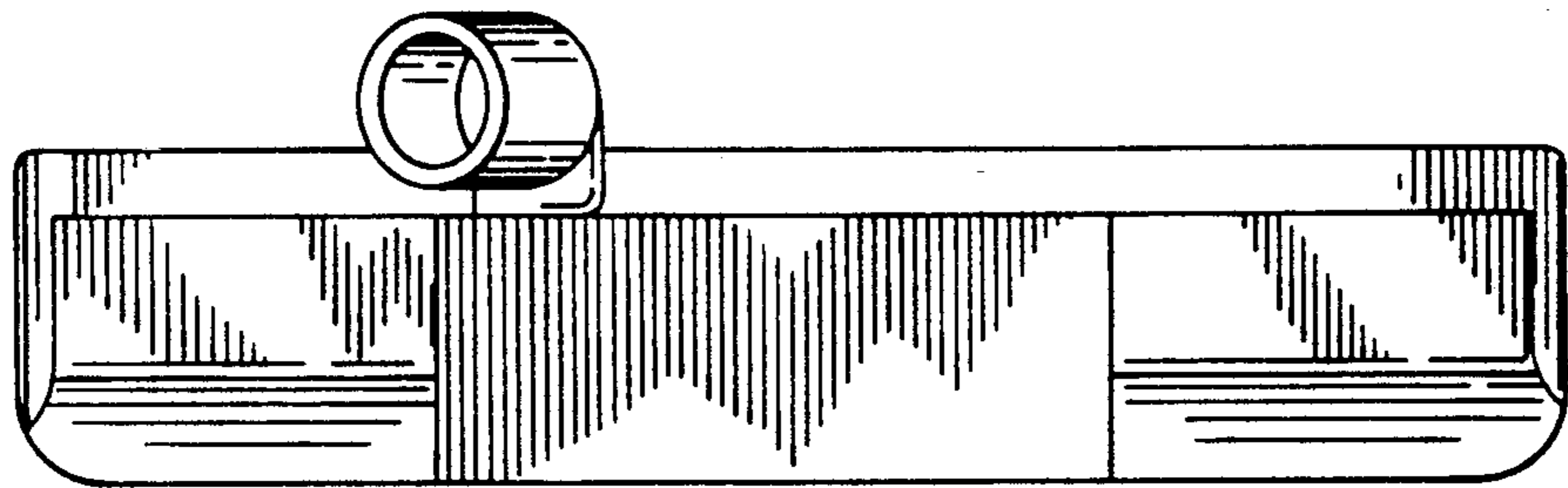


FIG. 3

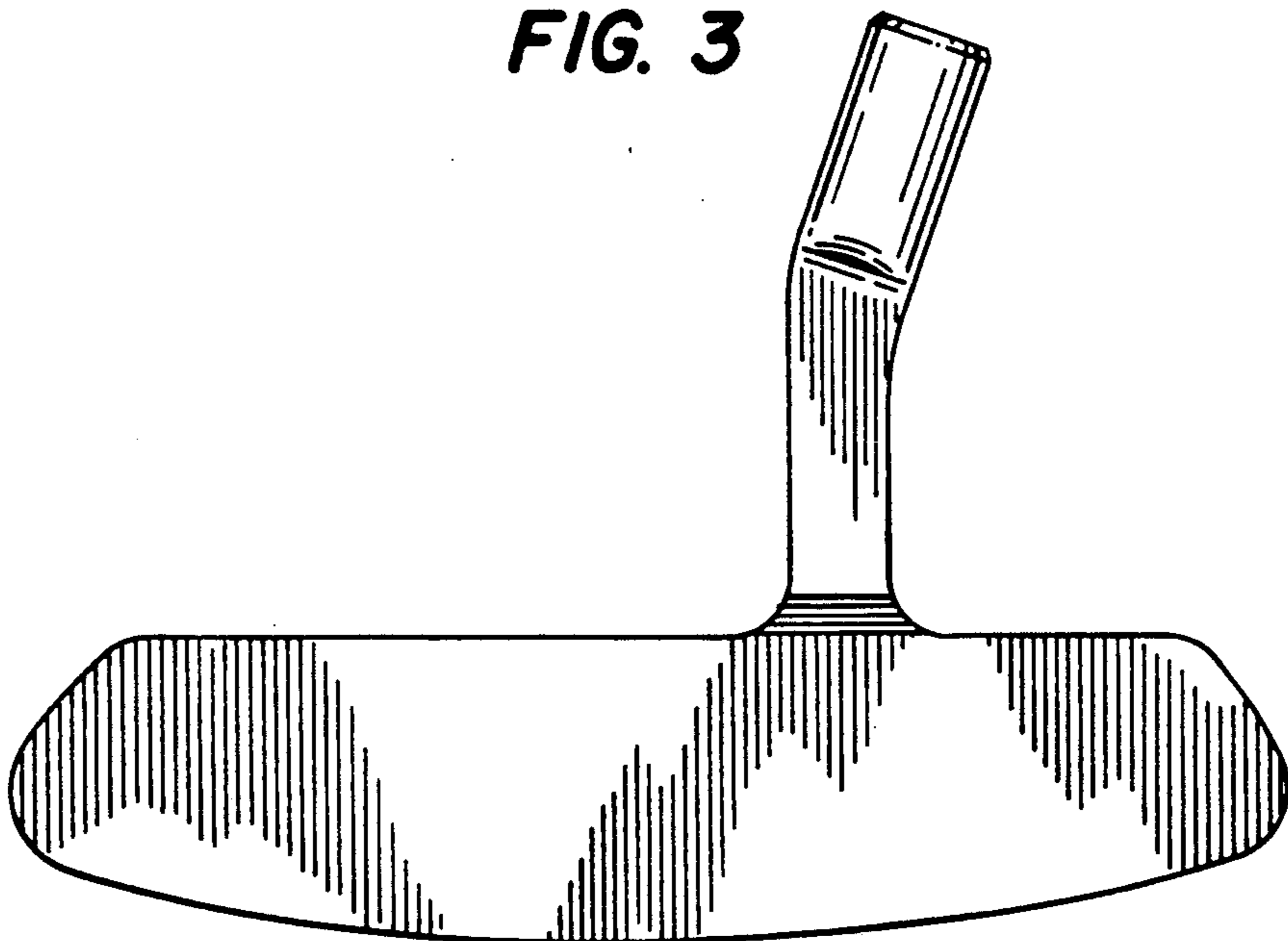


FIG. 4

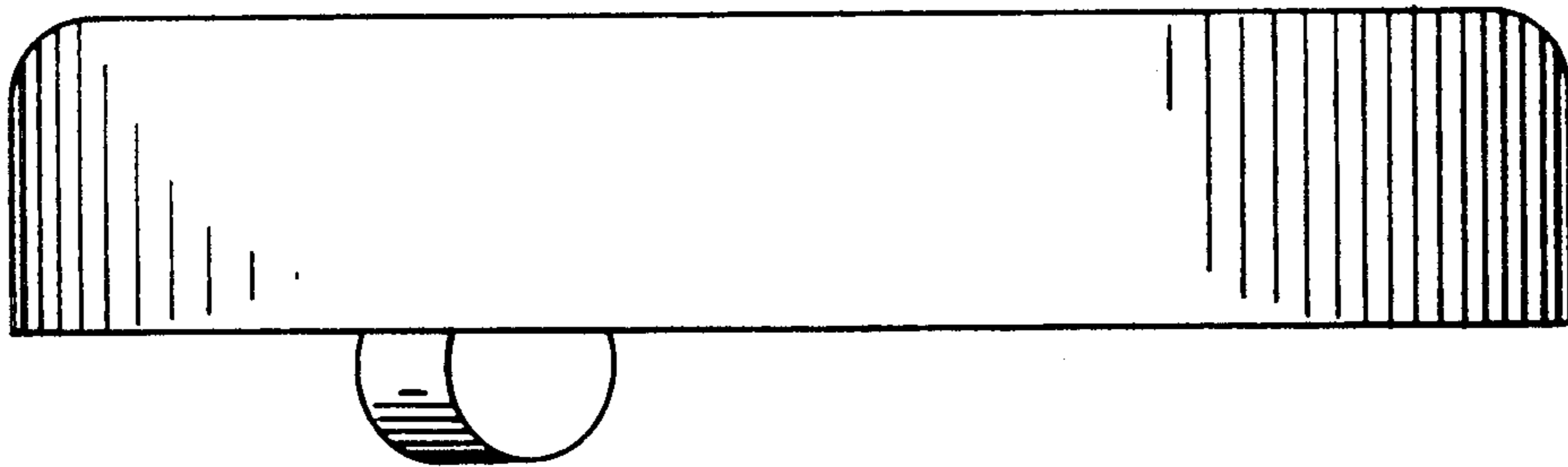


FIG. 5

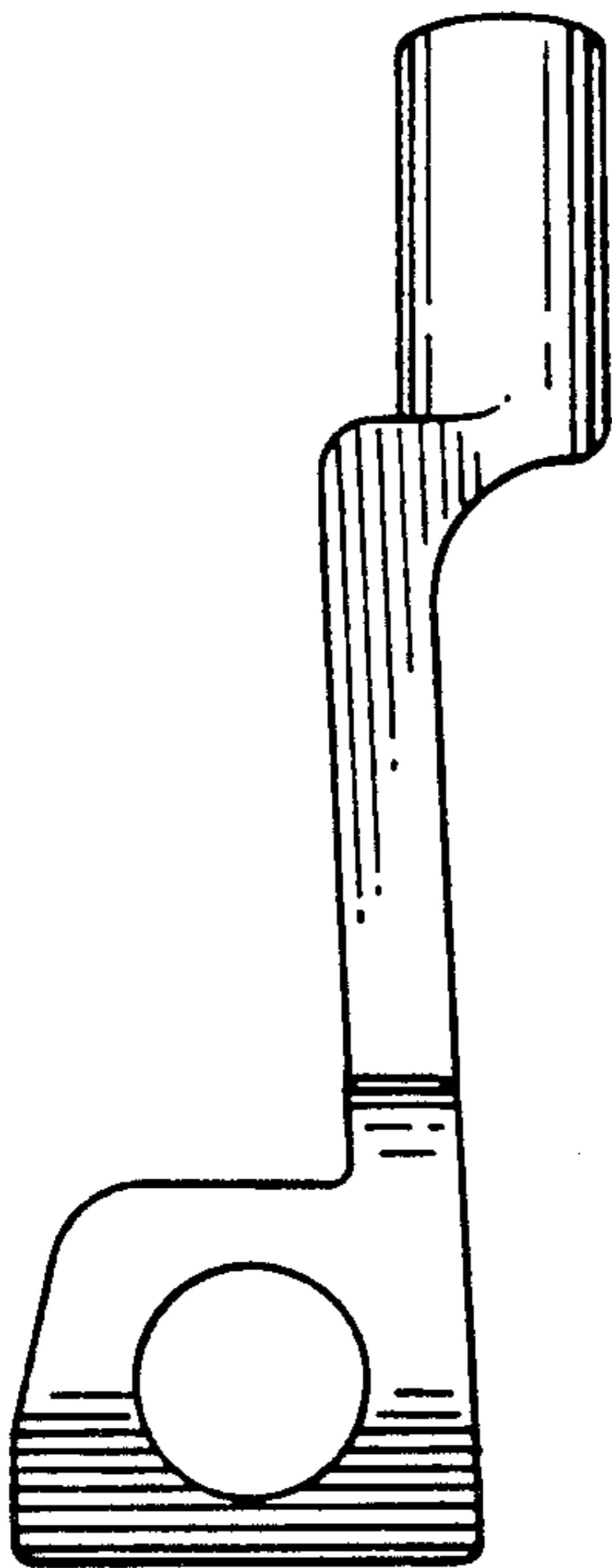


FIG. 6

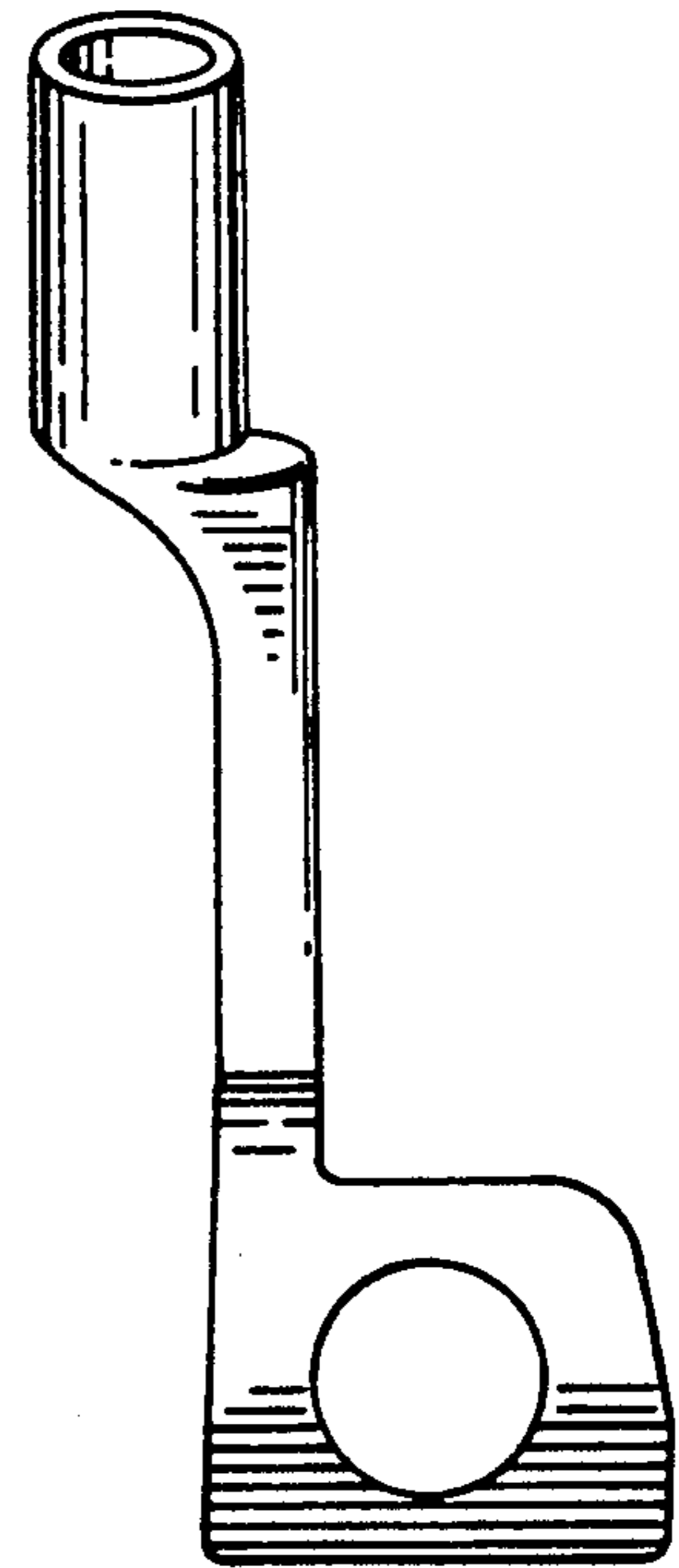


FIG. 7

