



US00D325407S

# United States Patent [19]

[11] Patent Number: **Des. 325,407**

Norton

[45] Date of Patent: **\*\* Apr. 14, 1992**

[54] **TOY VACUUM CLEANER**

[75] Inventor: **John J. Norton, East Aurora, N.Y.**

[73] Assignee: **Fisher-Price, Inc., East Aurora, N.Y.**

[\*\*] Term: **14 Years**

[21] Appl. No.: **573,653**

[22] Filed: **Aug. 24, 1990**

[52] U.S. Cl. .... **D21/122**

[58] Field of Search ..... **D21/120, 121, 109, 59, D21/122; D32/22; 446/144, 491**

D. 280,000 8/1985 Klawitter ..... D21/122  
D. 295,770 5/1988 Hilton ..... D21/122  
3,938,216 2/1976 Schmitz et al. .... D32/22

*Primary Examiner*—Charles A. Rademaker  
*Attorney, Agent, or Firm*—Cumpston & Shaw

[57] **CLAIM**

The ornamental design for a toy vacuum cleaner, as shown and described.

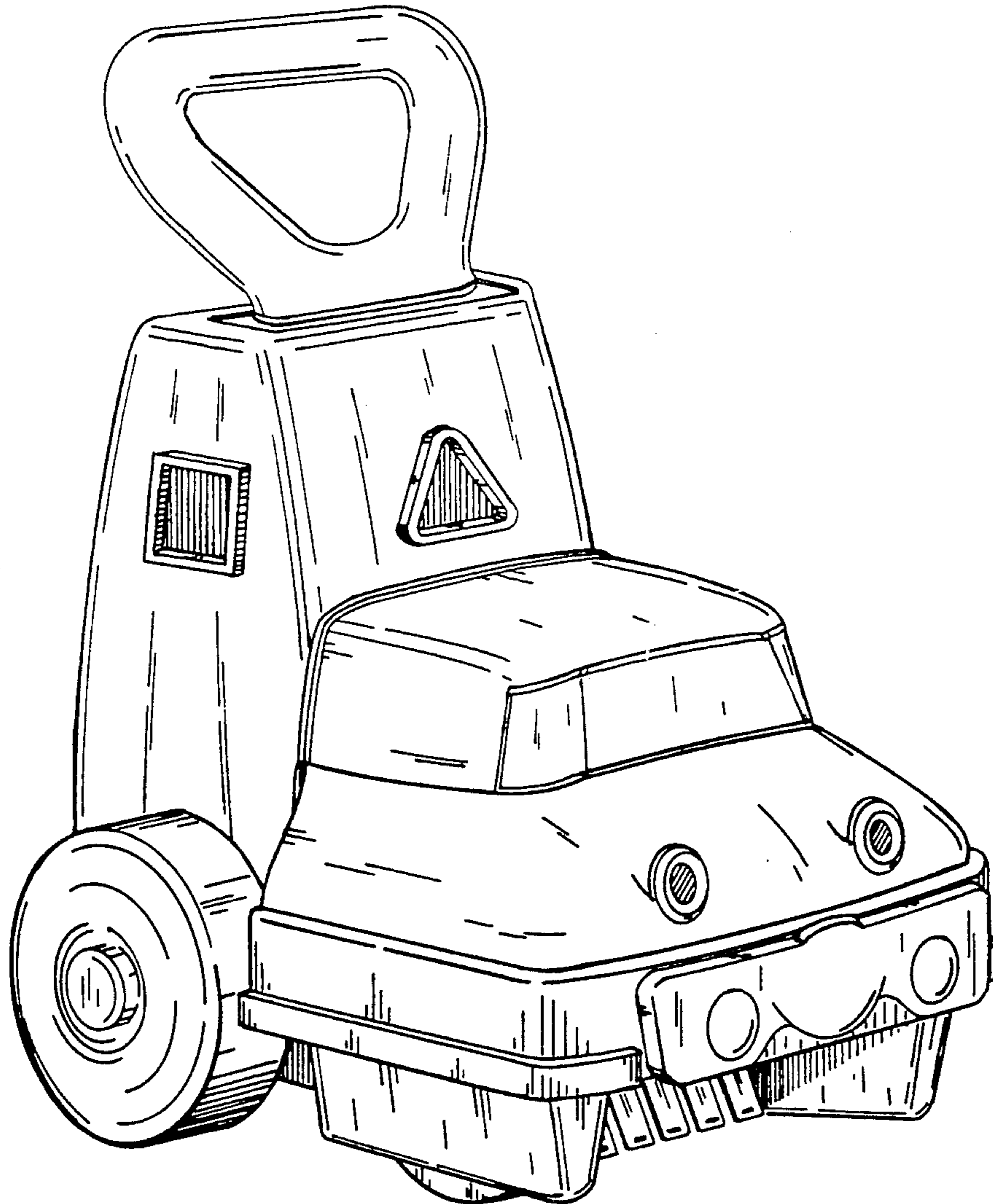
**DESCRIPTION**

FIG. 1 is a front elevational view of a toy vacuum cleaner showing my new design; FIG. 2 is a left-side elevational view thereof; FIG. 3 is a right-side elevational thereof; FIG. 4 is a rear elevational view thereof; FIG. 5 is a top plan view thereof; FIG. 6 is a bottom plan view thereof; and, FIG. 7 is a left side front perspective view.

[56] **References Cited**

**U.S. PATENT DOCUMENTS**

D. 201,814 8/1965 Rockwell ..... D21/122  
D. 219,235 11/1970 Schucker ..... D32/22  
D. 274,446 6/1984 McIntosh et al. .... D21/122  
D. 279,590 7/1985 Klawitter ..... D21/122



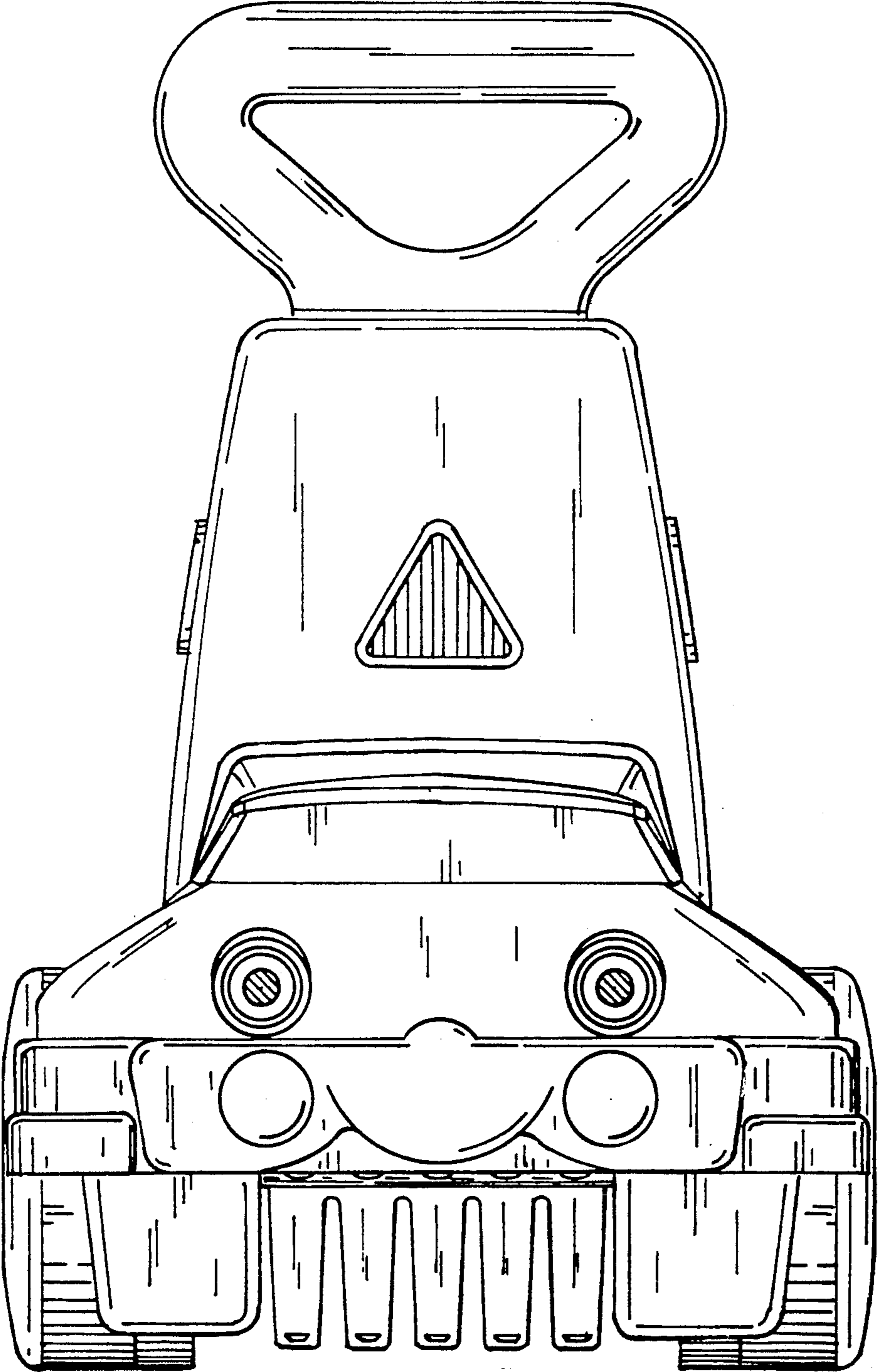


FIG. 1

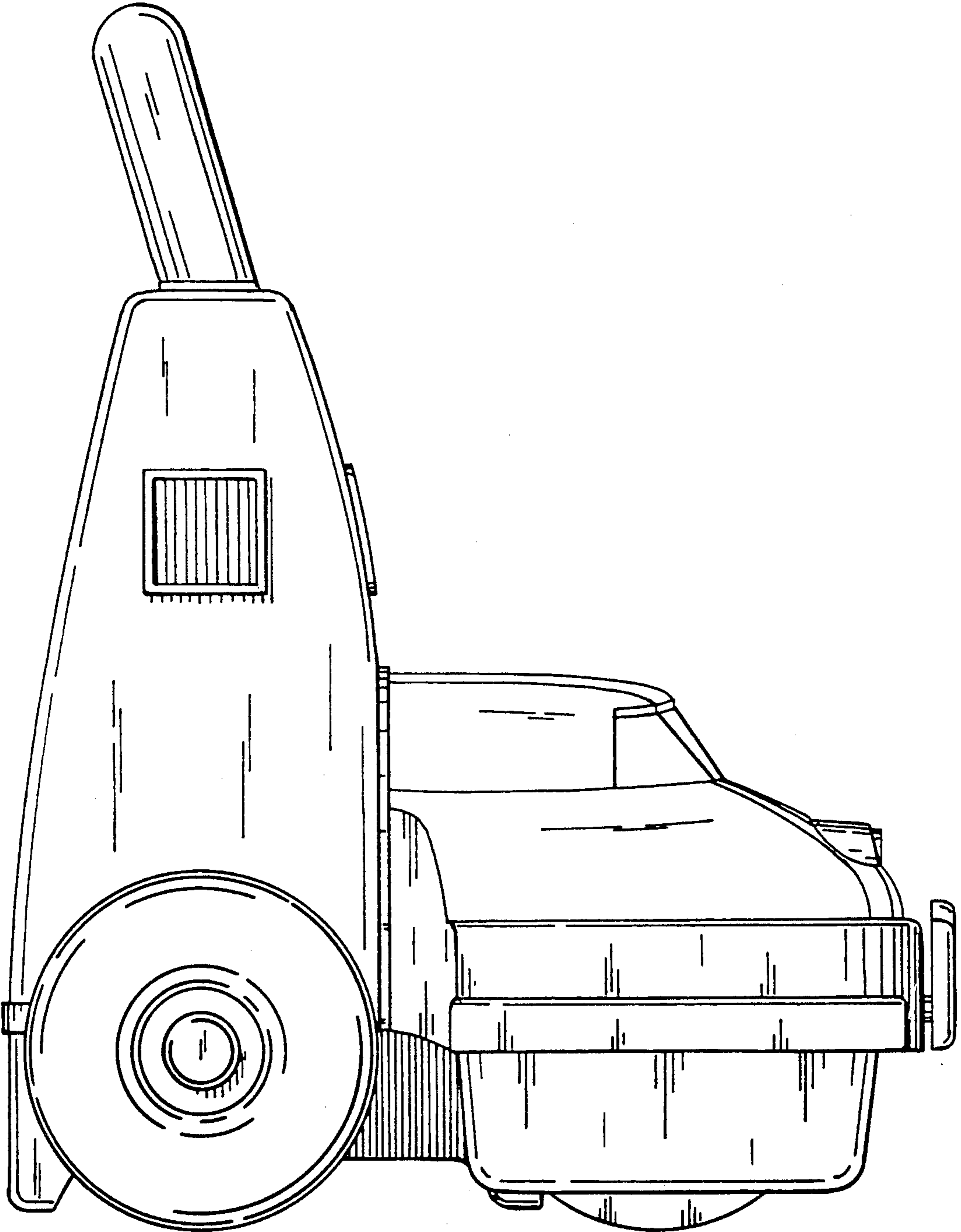


FIG. 2

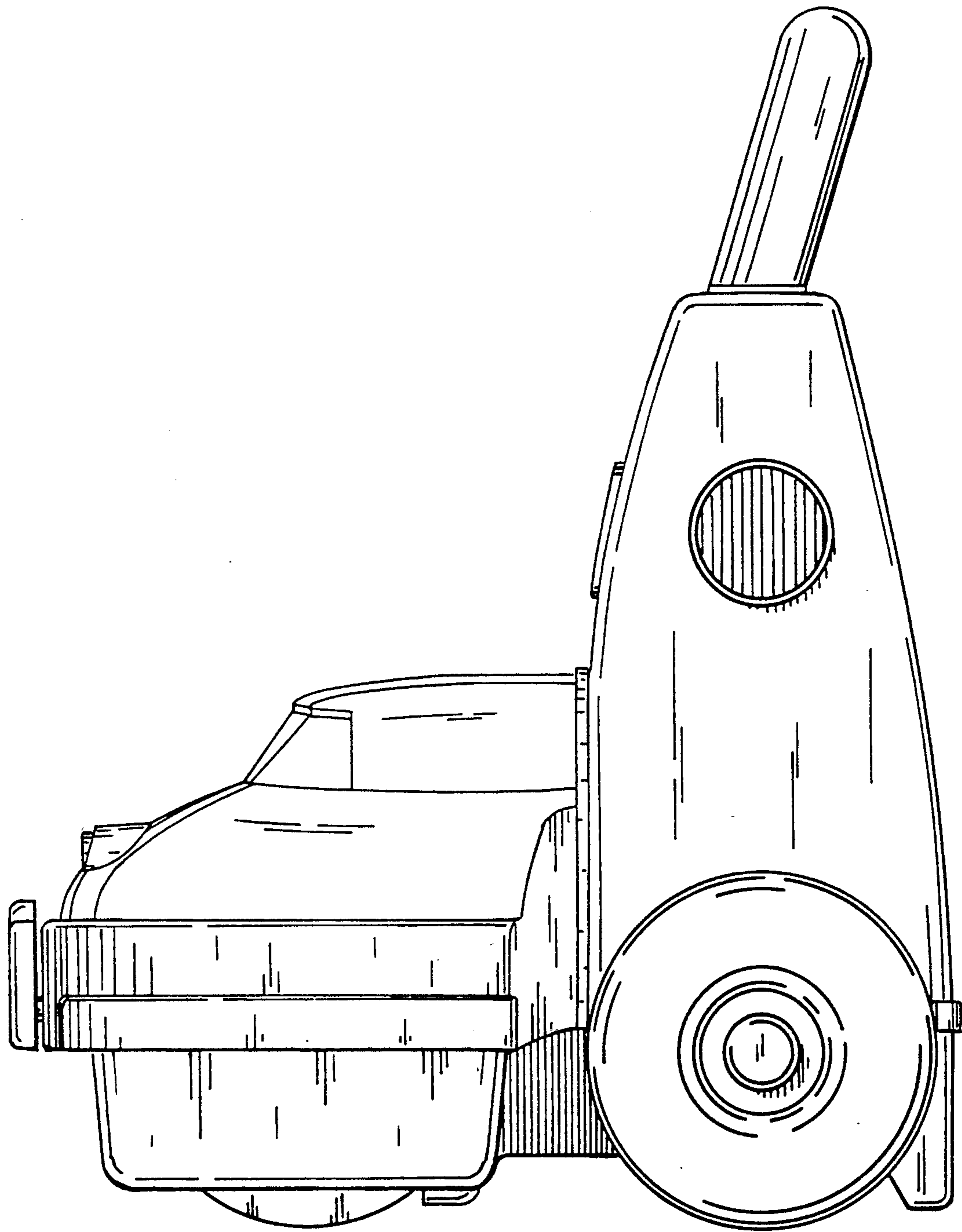


FIG. 3

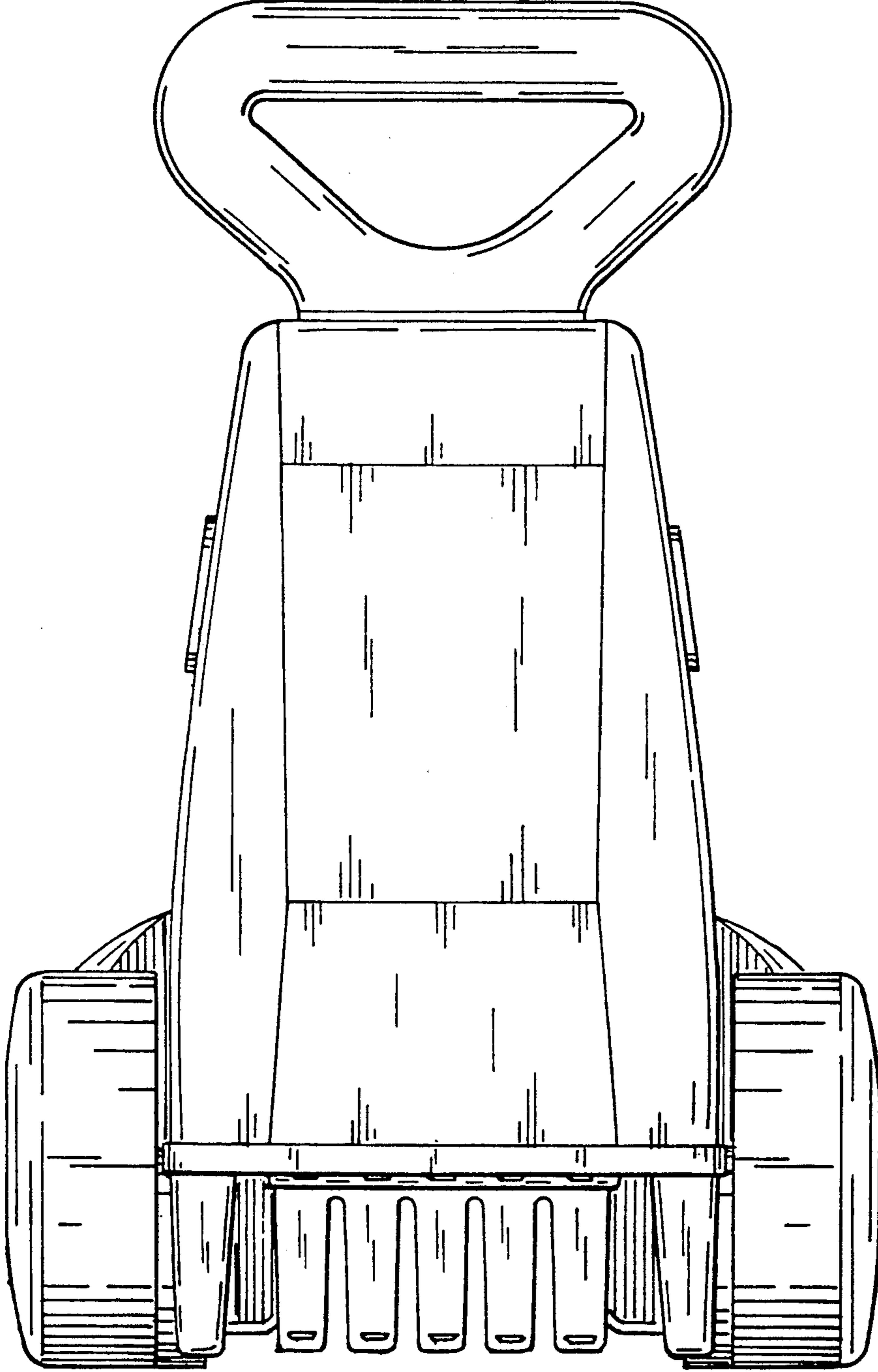


FIG. 4

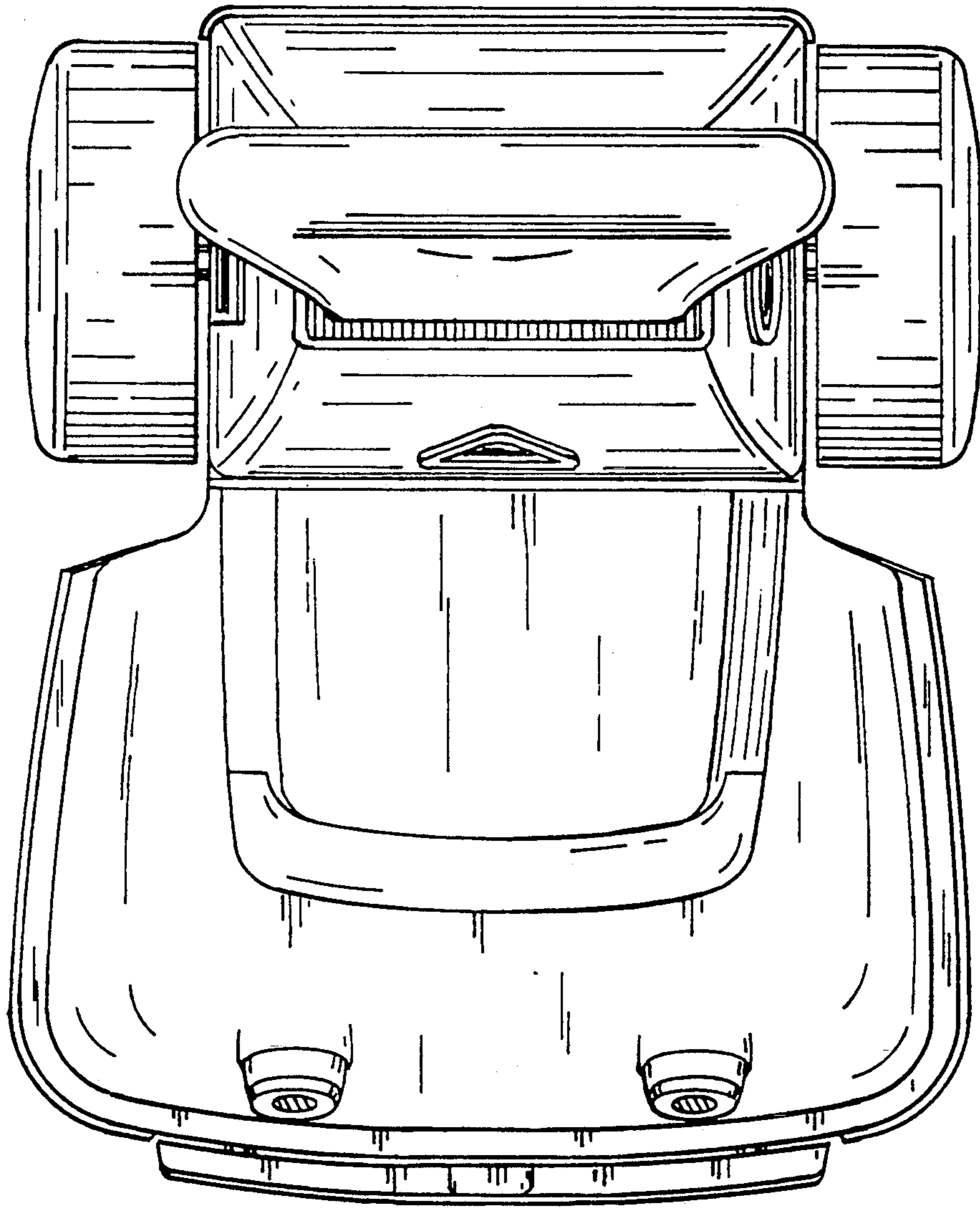


FIG. 5

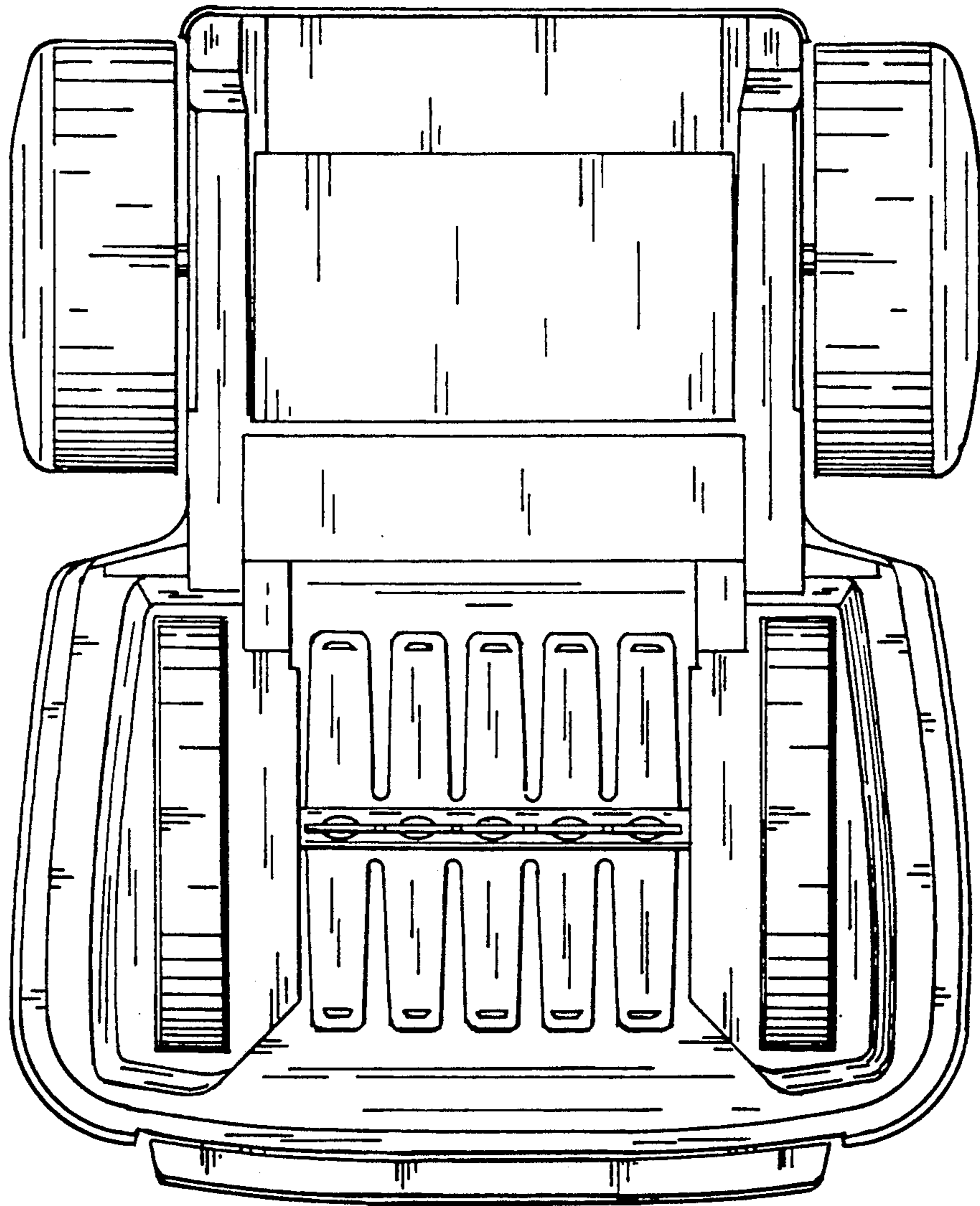


FIG. 6

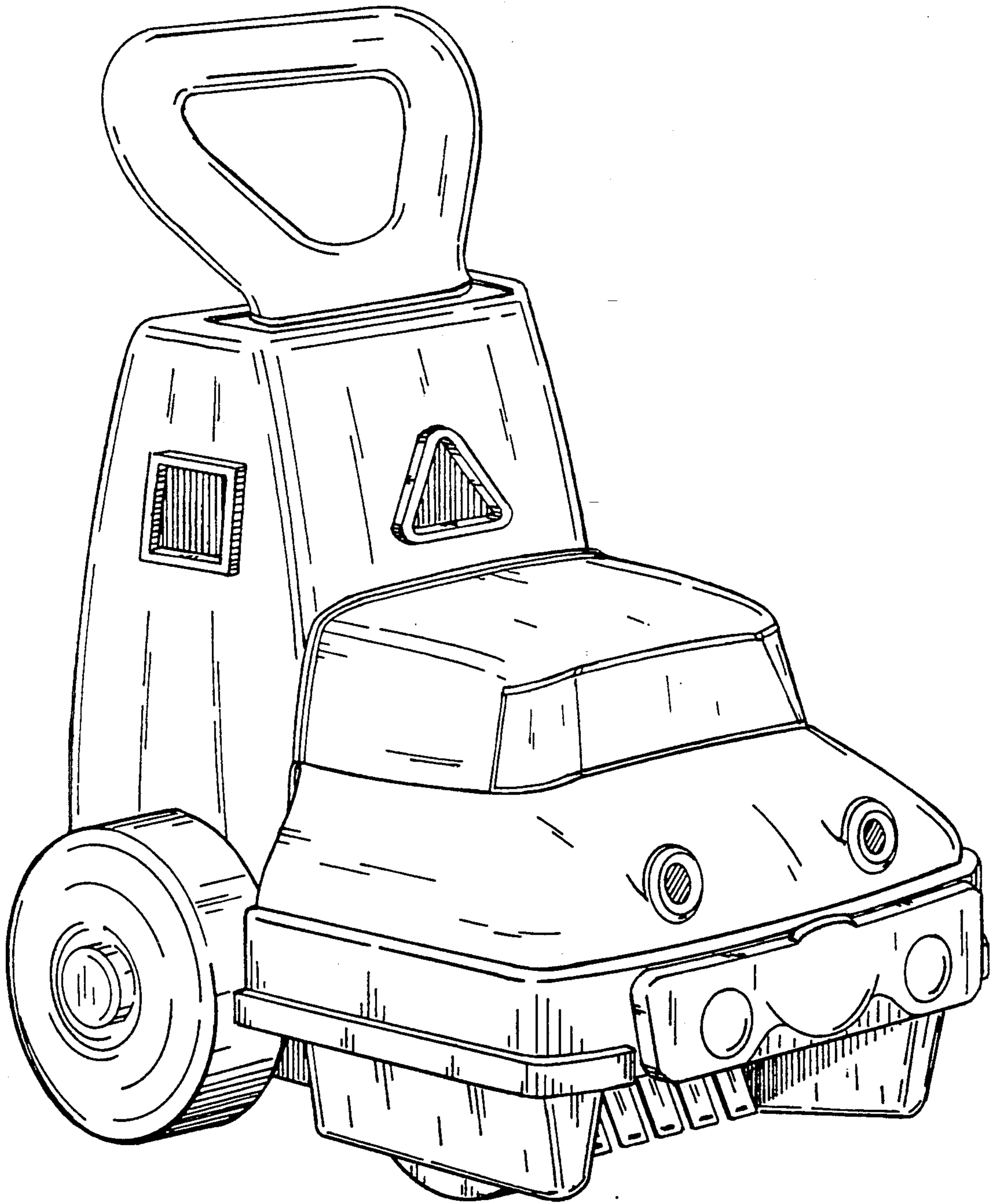


FIG. 7