



US00D325401S

United States Patent [19]

[11] Patent Number: **Des. 325,401**

Garfinkle

[45] Date of Patent: **** Apr. 14, 1992**

[54] **CARD HOLDER**

2,428,519	10/1947	Gustafson	40/642
2,600,429	6/1952	Ransen	40/642
4,556,183	12/1985	Greenberger	40/658

[75] Inventor: **Benjamin L. Garfinkle**, Alameda, Calif.

[73] Assignee: **Clamp Swing Pricing Company**, Alameda, Calif.

[**] Term: **14 Years**

[21] Appl. No.: **553,763**

[22] Filed: **Jul. 16, 1990**

[52] U.S. Cl. **D20/43**

[58] Field of Search **D20/10, 15, 39, 40, D20/42, 43, 44; 40/1, 124.1, 299, 642, 643, 644, 649, 611, 618, 658**

[56] **References Cited**

U.S. PATENT DOCUMENTS

D. 52,333	8/1918	Marr	D20/44
D. 236,112	7/1975	Staats	D20/44
D. 298,554	11/1988	Zobitz	D20/43
1,081,048	12/1913	Klee	40/642

OTHER PUBLICATIONS

Miscellaneous advertising materials/Deli Runners.

Primary Examiner—Wallace R. Burke

Assistant Examiner—Marcus Jackson

Attorney, Agent, or Firm—Malcolm B. Wittenberg

[57] **CLAIM**

The design for a card holder, as shown and described.

DESCRIPTION

FIG. 1 is a reduced perspective view of a card holder showing my new design;

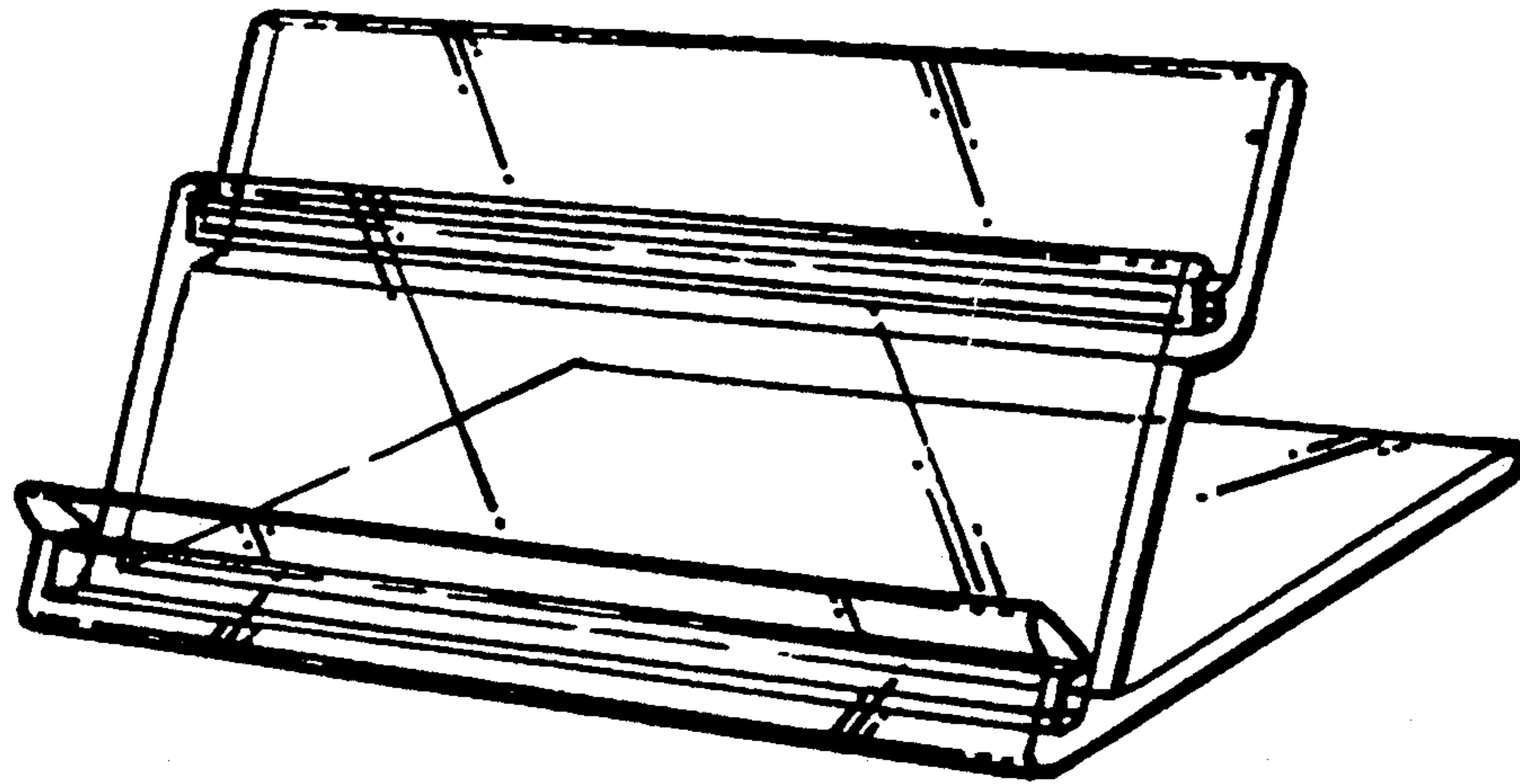
FIG. 2 is a top plan view thereof;

FIG. 3 is a front elevational view thereof;

FIG. 4 is a right side elevational view thereof, with the opposite side being a mirror image;

FIG. 5 is a rear elevational view thereof; and,

FIG. 6 is a bottom plan view thereof.



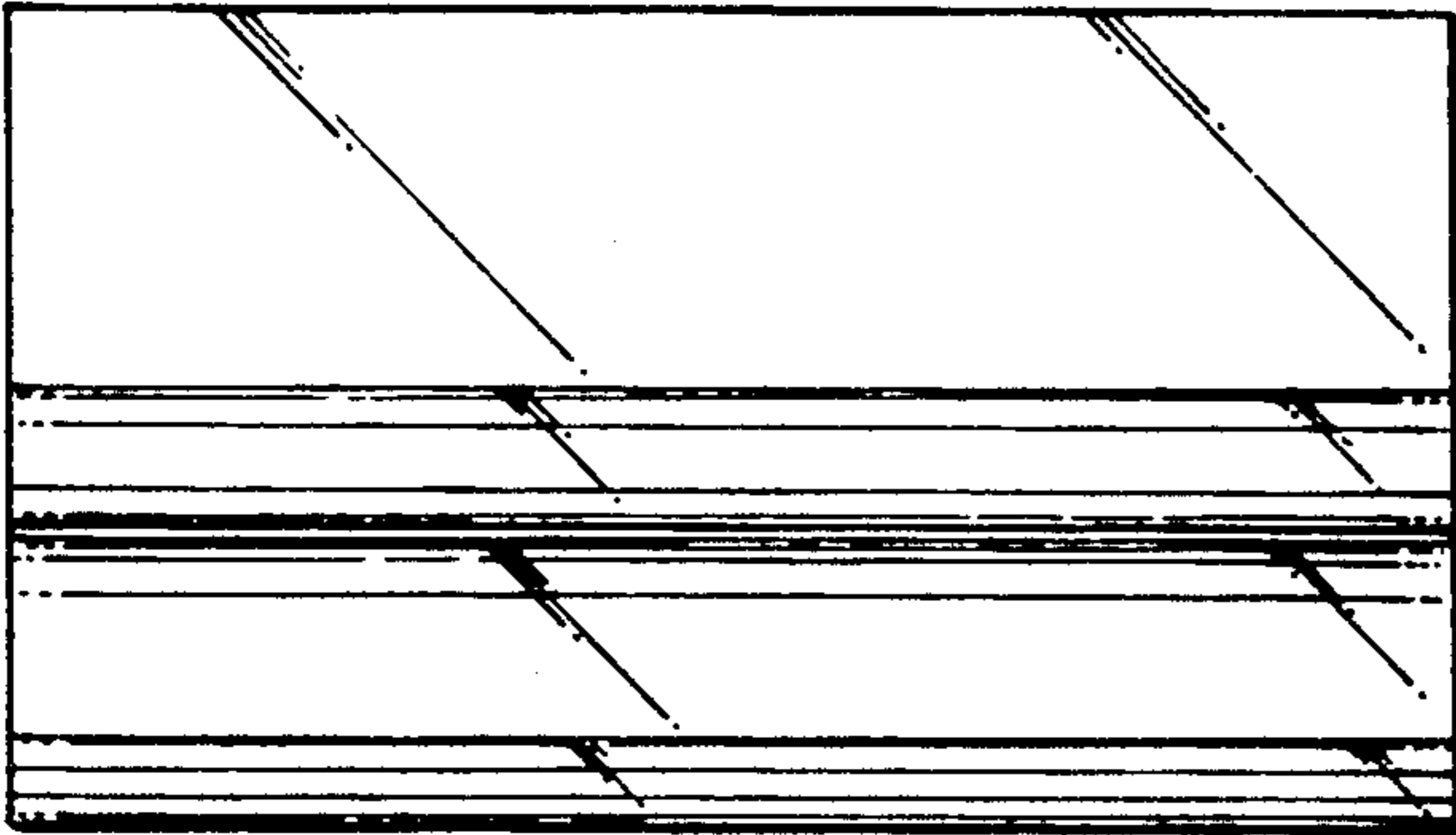


FIG. 2.

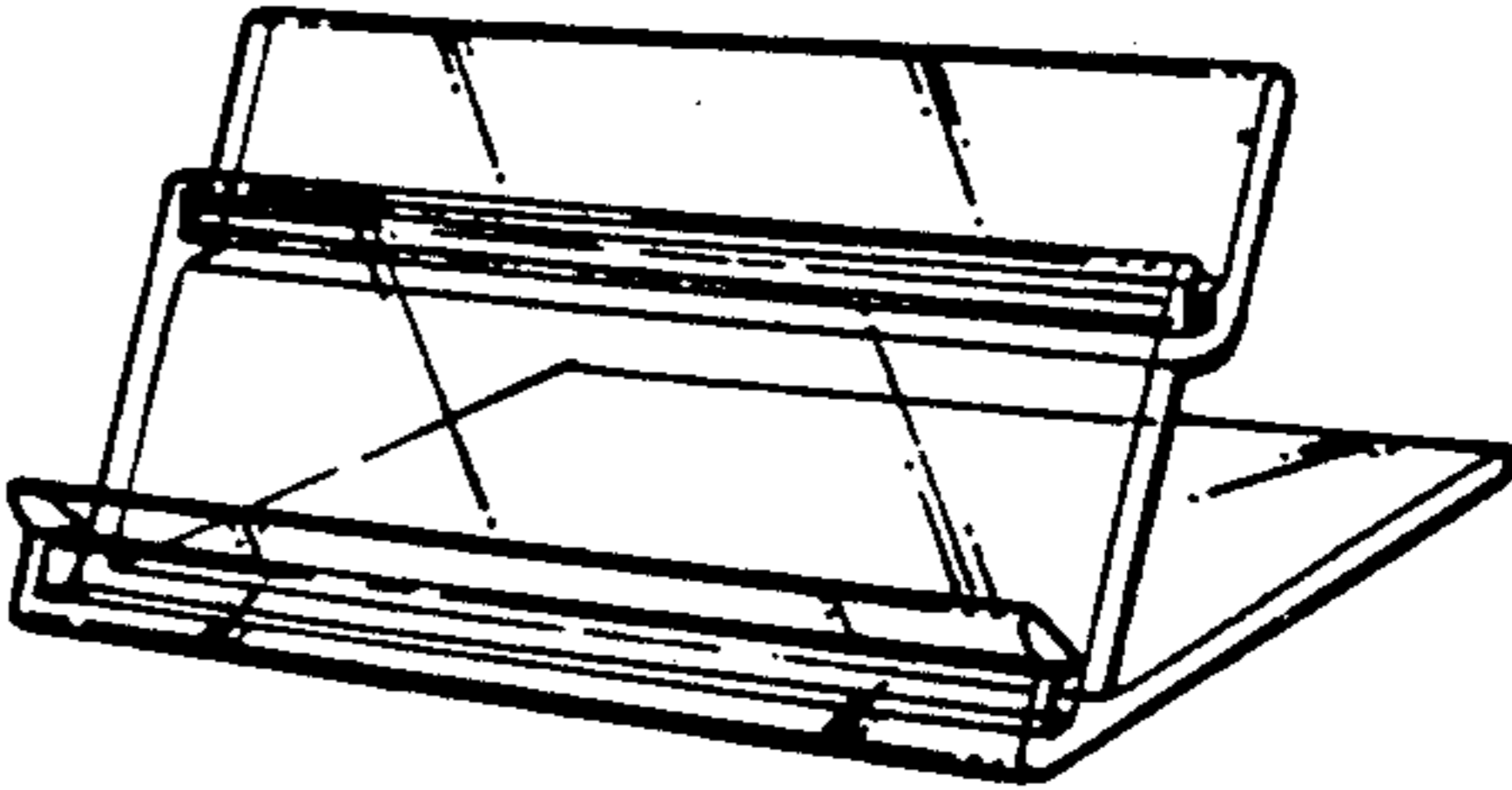


FIG. 1.

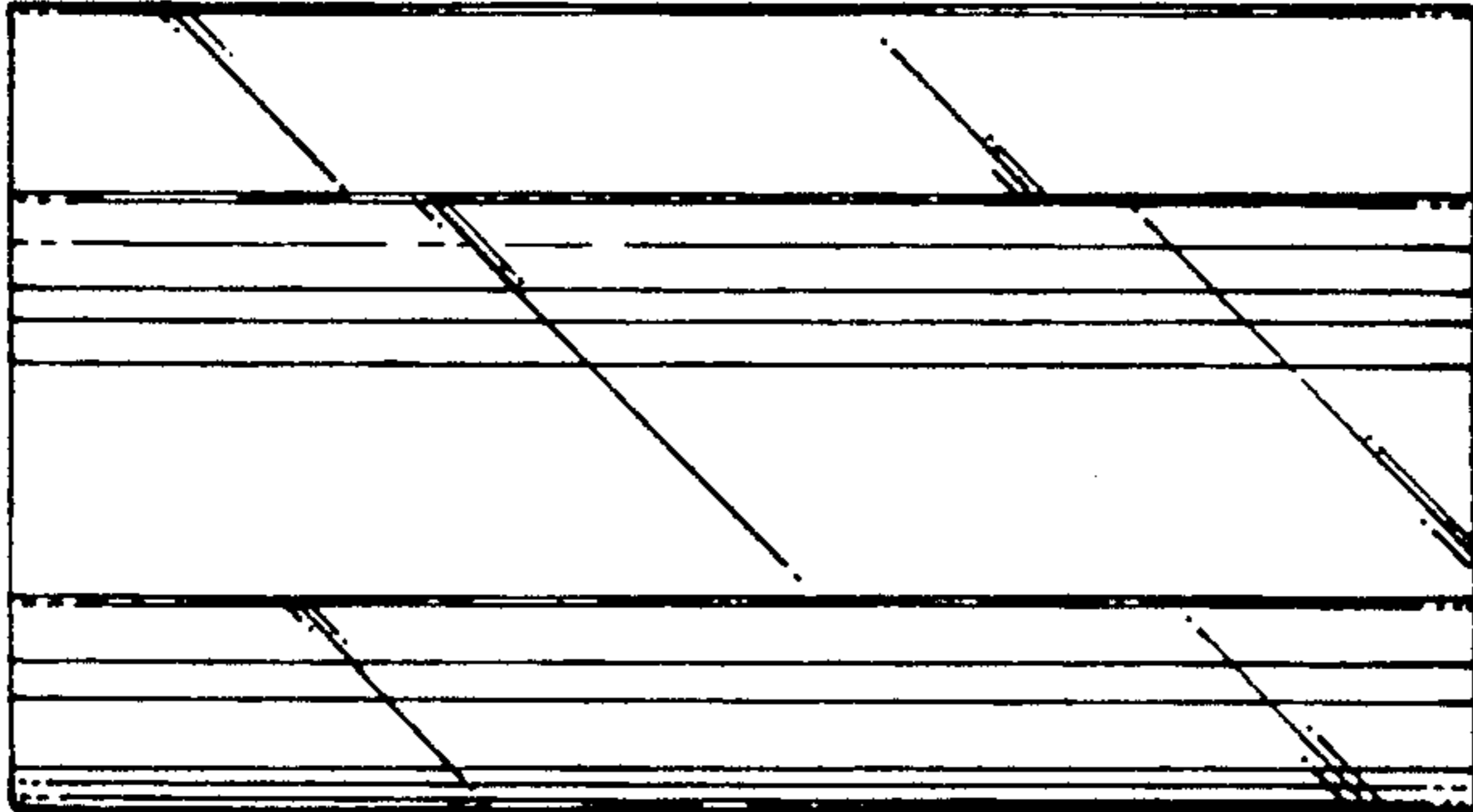


FIG. 3.

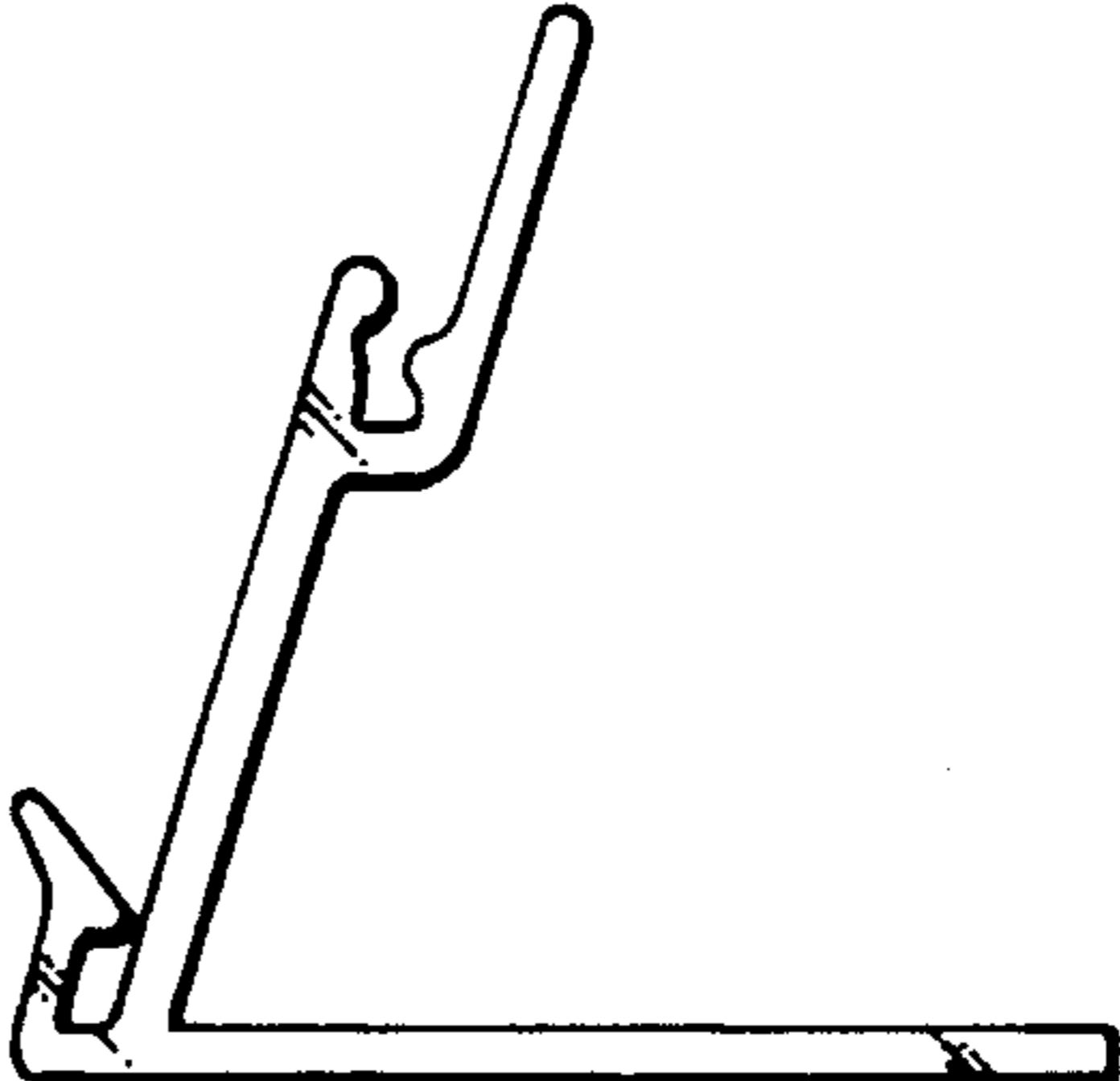


FIG. 4.

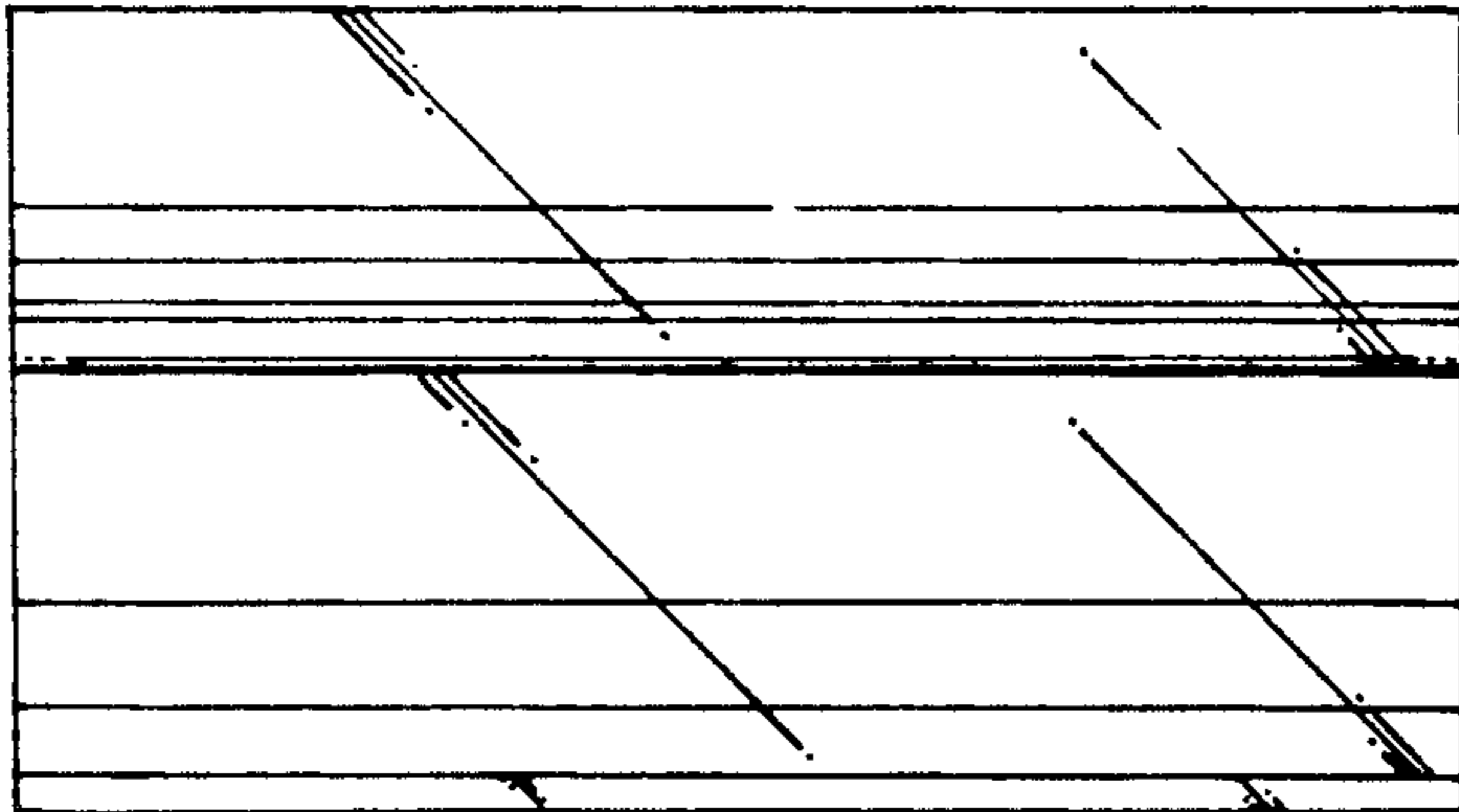


FIG. 5.

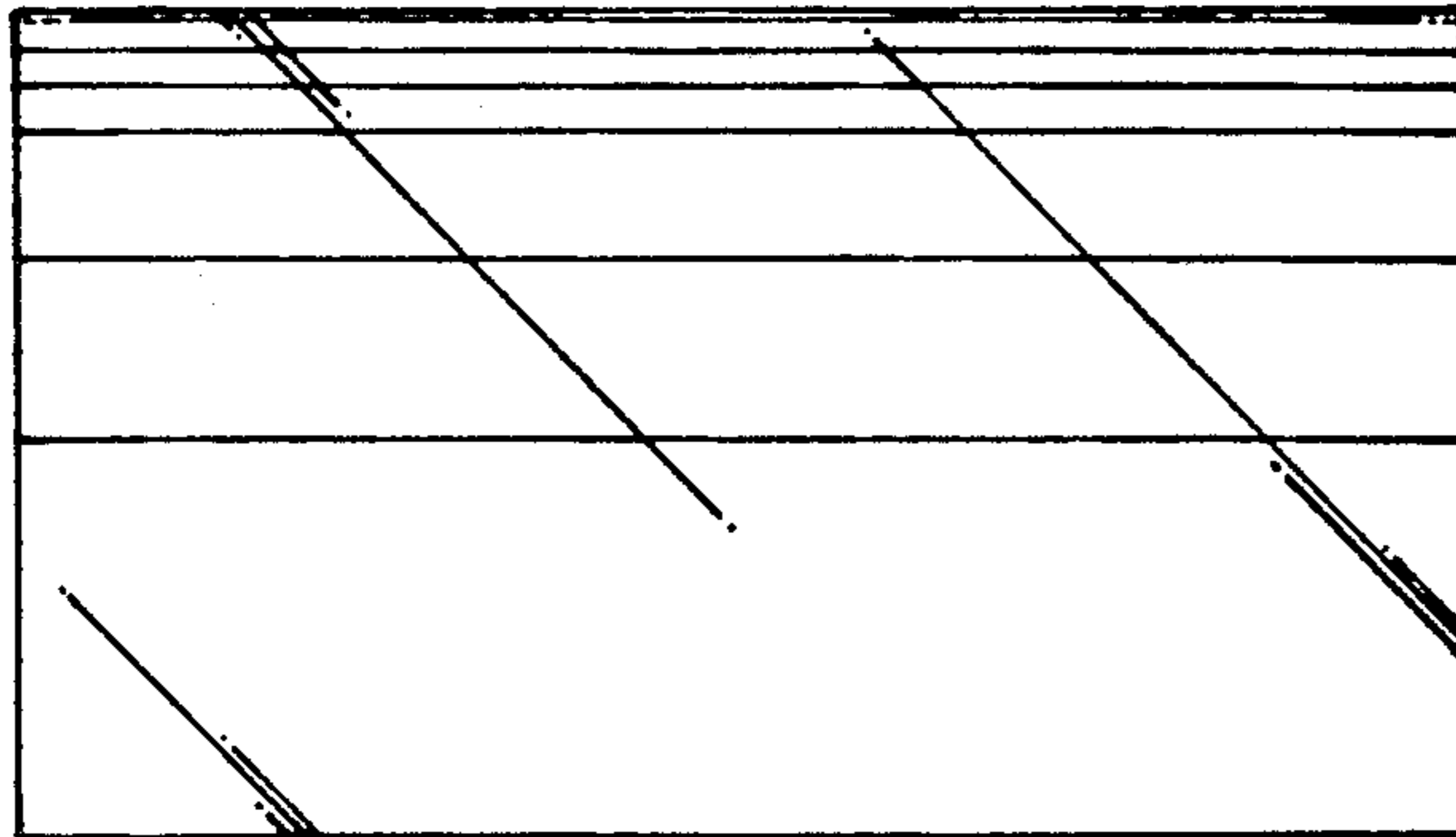


FIG. 6.