



US00D325400S

United States Patent [19]

[11] Patent Number: Des. 325,400

Wolff

[45] Date of Patent: ** Apr. 14, 1992

[54] **HOLDER FOR AN IDENTIFICATION TAG**

3,466,774 9/1969 Borressen 40/591
4,601,255 7/1986 Marcotti 40/591

[76] Inventor: **Stephen H. Wolff**, 222 E. 35th St.,
New York, N.Y. 10016

Primary Examiner—Wallace R. Burke
Assistant Examiner—Marcus Jackson
Attorney, Agent, or Firm—Lerner, David, Littenberg,
Krumholtz & Mentlik

[**] Term: **14 Years**

[21] Appl. No.: **325,347**

[57] **CLAIM**

[22] Filed: **Mar. 17, 1989**

The ornamental design for a holder for an identification tag, as shown and described.

[52] U.S. Cl. **D20/42; D20/22**

[58] Field of Search **D20/22, 23, 27, 41,
D20/42, 43; 40/312, 316, 317, 318, 322, 325,
642, 643, 644, 645, 6, 591**

DESCRIPTION

[56] **References Cited**

FIG. 1 is a perspective view of a holder for an identification tag showing my new design with the broken lines shown for illustrative purposes only and forming no part of the claimed design;

U.S. PATENT DOCUMENTS

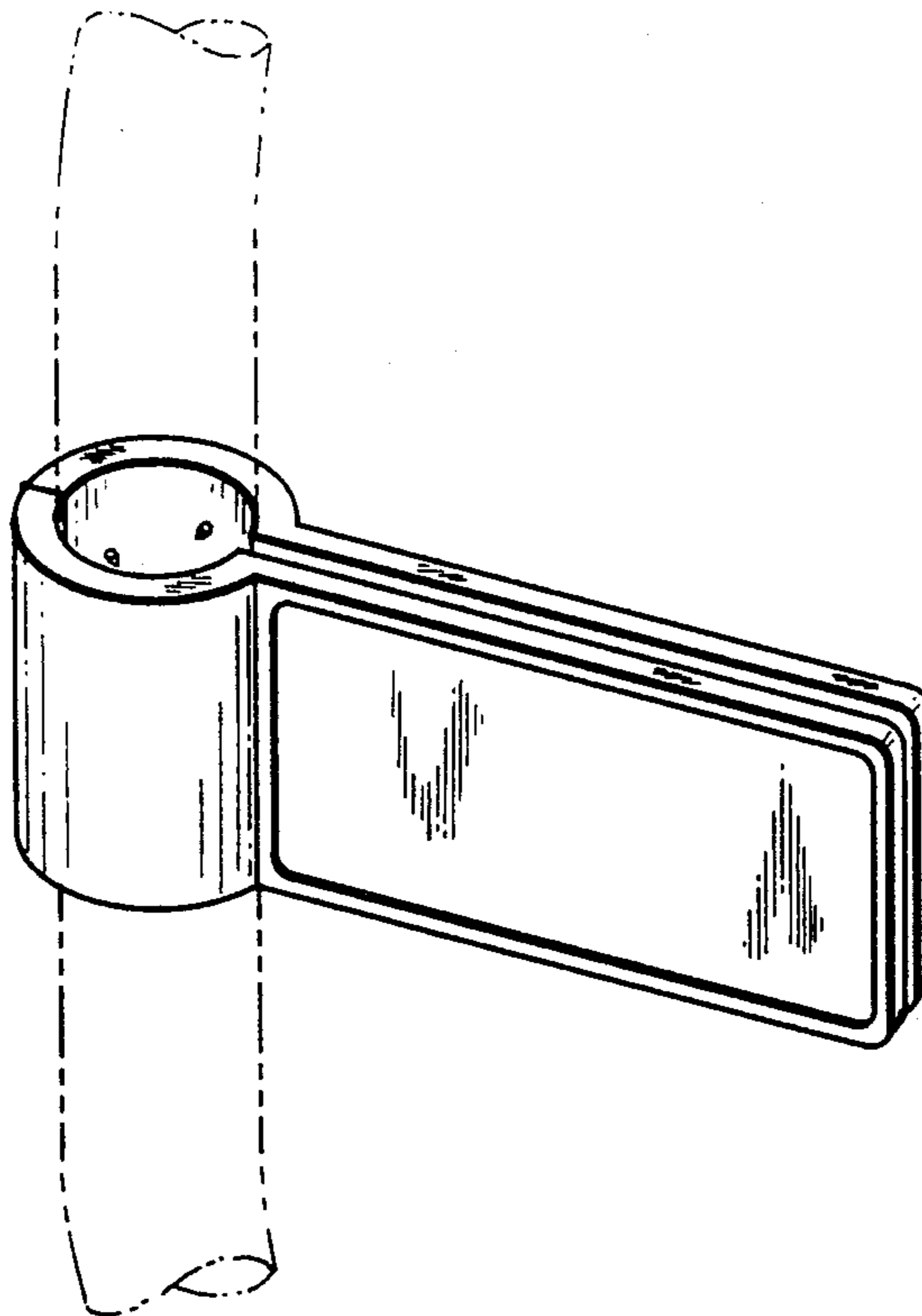
FIG. 2 is a bottom plan view thereof with the top being a mirror image;

D. 236,826	9/1975	Smith	D20/22
D. 255,099	5/1980	Borsuk et al.	D20/43
1,330,142	2/1920	Schwartzberg	40/591
1,859,578	5/1932	Baily	40/607
2,514,437	7/1950	Bailhe	40/316
2,799,953	7/1957	Sage	40/645
3,088,235	5/1963	Kies	D20/21

FIG. 3 is a side elevational view thereof with the opposite side being a mirror image;

FIG. 4 is a rear elevational view thereof; and,

FIG. 5 is a front elevational view thereof.



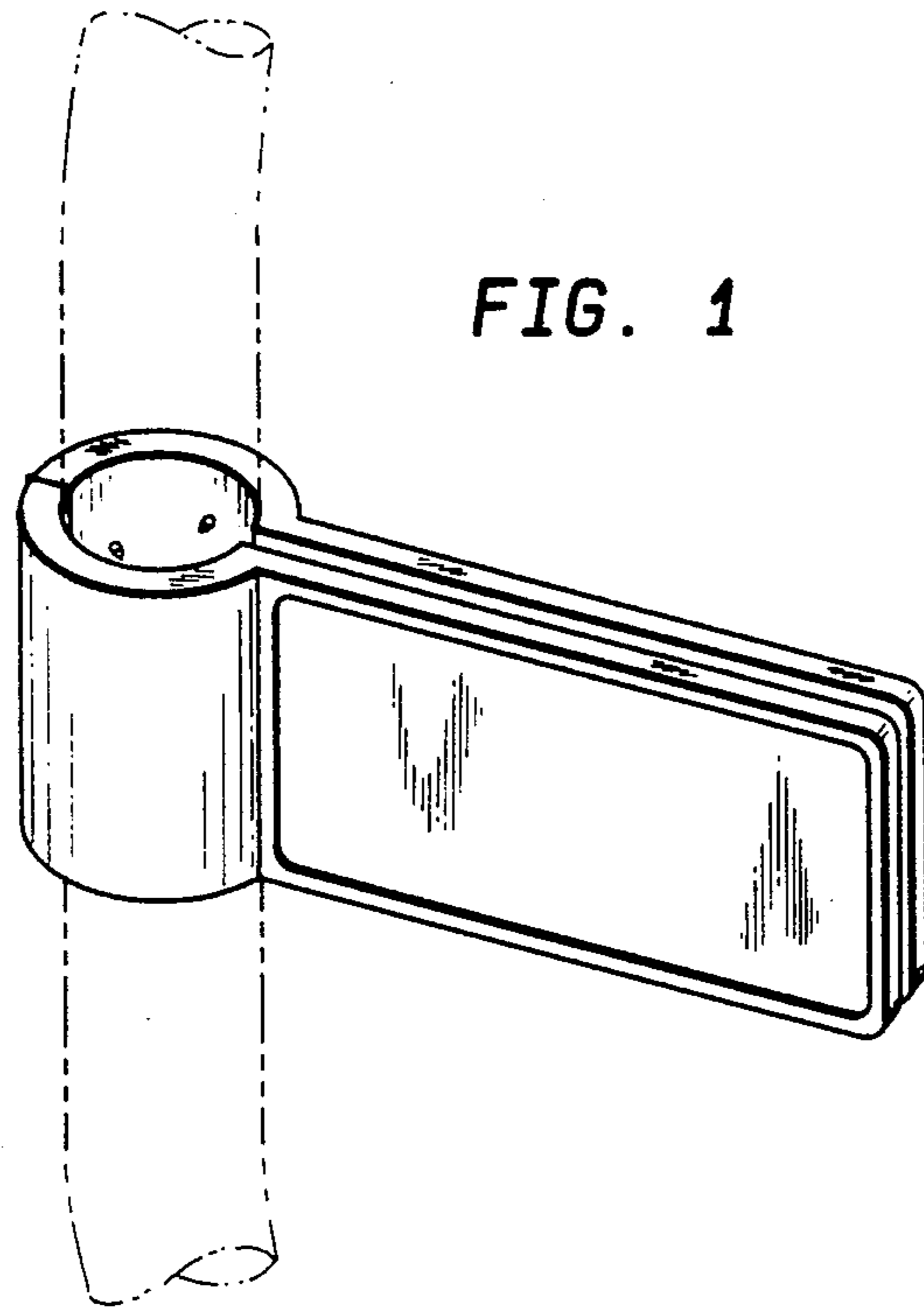


FIG. 1

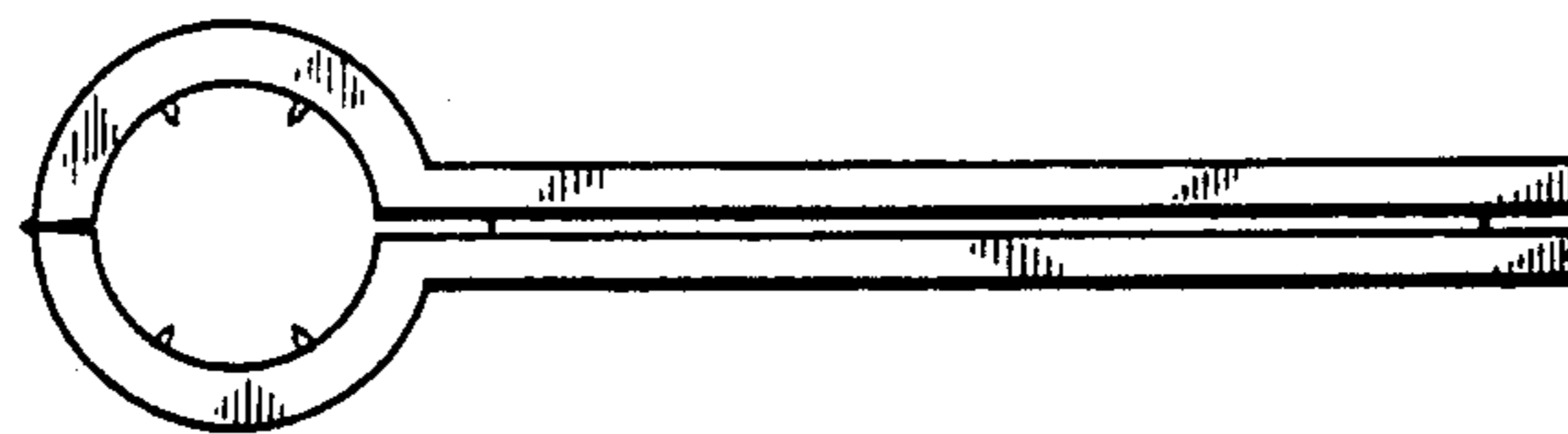


FIG. 2

FIG. 5

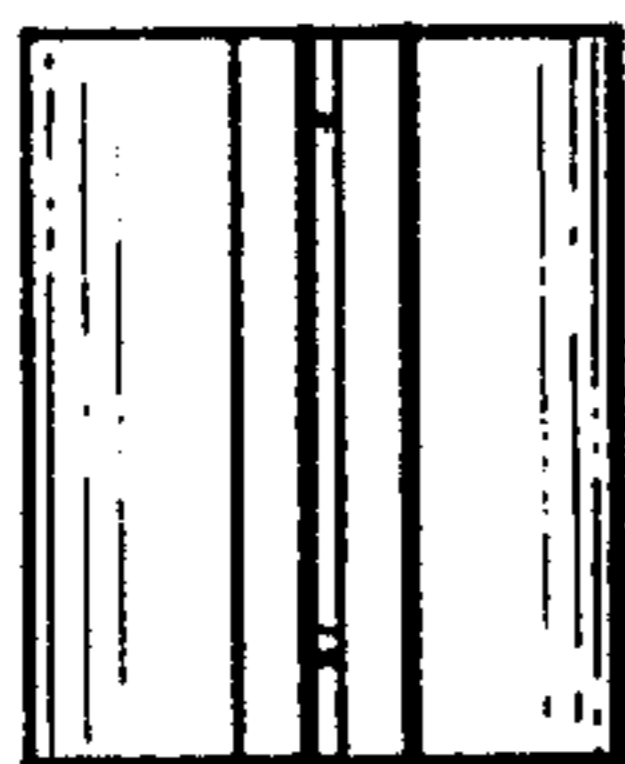


FIG. 3

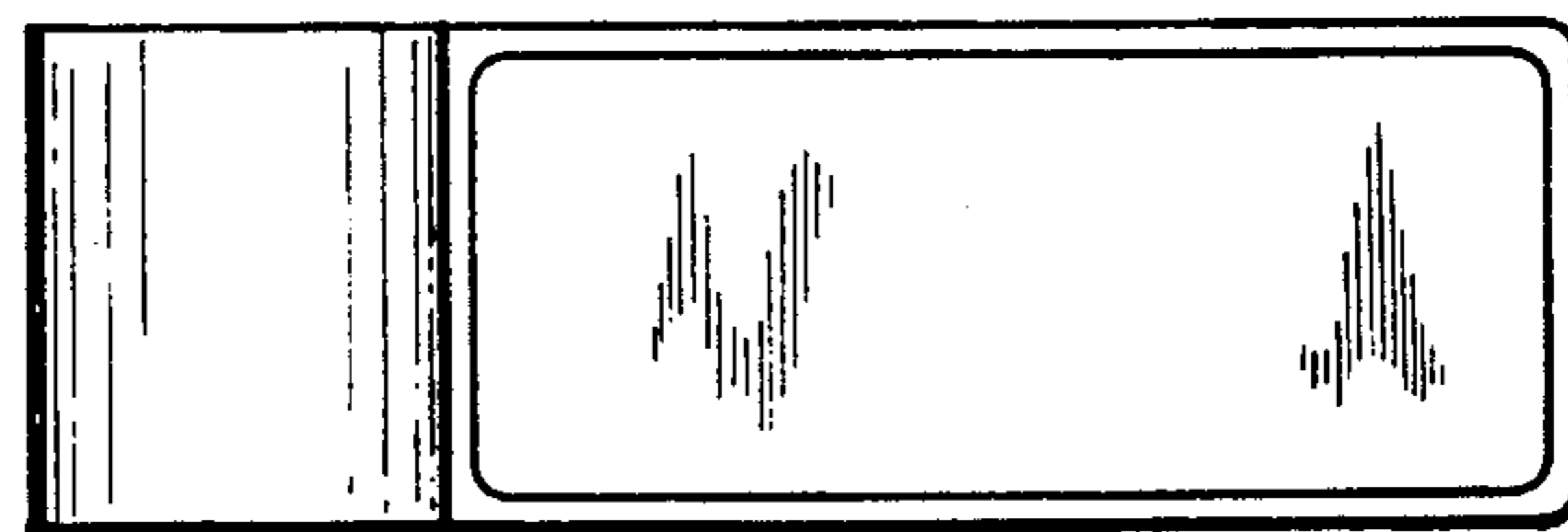


FIG. 4

