



US00D325399S

# United States Patent [19]

[11] Patent Number: **Des. 325,399**

Alexander

[45] Date of Patent: **\*\* Apr. 14, 1992**

[54] **TAPE DISPENSER**

[76] Inventor: **Dave Alexander, 960 Saint John's Pl., Brooklyn, N.Y. 11213**

[\*\*] Term: **14 Years**

[21] Appl. No.: **770,304**

[22] Filed: **Oct. 2, 1991**

D. 188,519	8/1960	Gershen	.....	D19/69
D. 191,246	8/1961	Belbow	.....	D19/69
D. 196,023	8/1963	Rothgart et al.	.....	D21/186
D. 197,934	4/1964	Weaver	.....	D19/69
D. 214,405	6/1969	Fleming	.....	D19/69
D. 227,227	6/1973	Stamper	.....	D19/318
D. 322,461	12/1991	Alexander	.....	D19/69
2,510,884	6/1950	Queene	.....	D21/186 X
4,868,942	9/1989	Kim et al.	.....	D19/67 X

### Related U.S. Application Data

[62] Division of Ser. No. 349,065, May 9, 1989, Pat. No. Des. 322,461.

[52] U.S. Cl. .... **D19/69; D19/67; D21/186**

[58] Field of Search ..... **D8/104, 105; D9/318; D19/65, 67, 68, 69; D21/186; 225/6, 39, 44, 45, 65, 77, 88, 89; 7/163, 164, 169, 170**

### [56] References Cited

#### U.S. PATENT DOCUMENTS

D. 25,973	8/1896	Schiess	.....	D21/186
D. 122,401	9/1940	Herlihy	.....	D21/186 X
D. 139,195	10/1944	Peruggi	.....	D21/186

*Primary Examiner*—Nelson C. Holtje

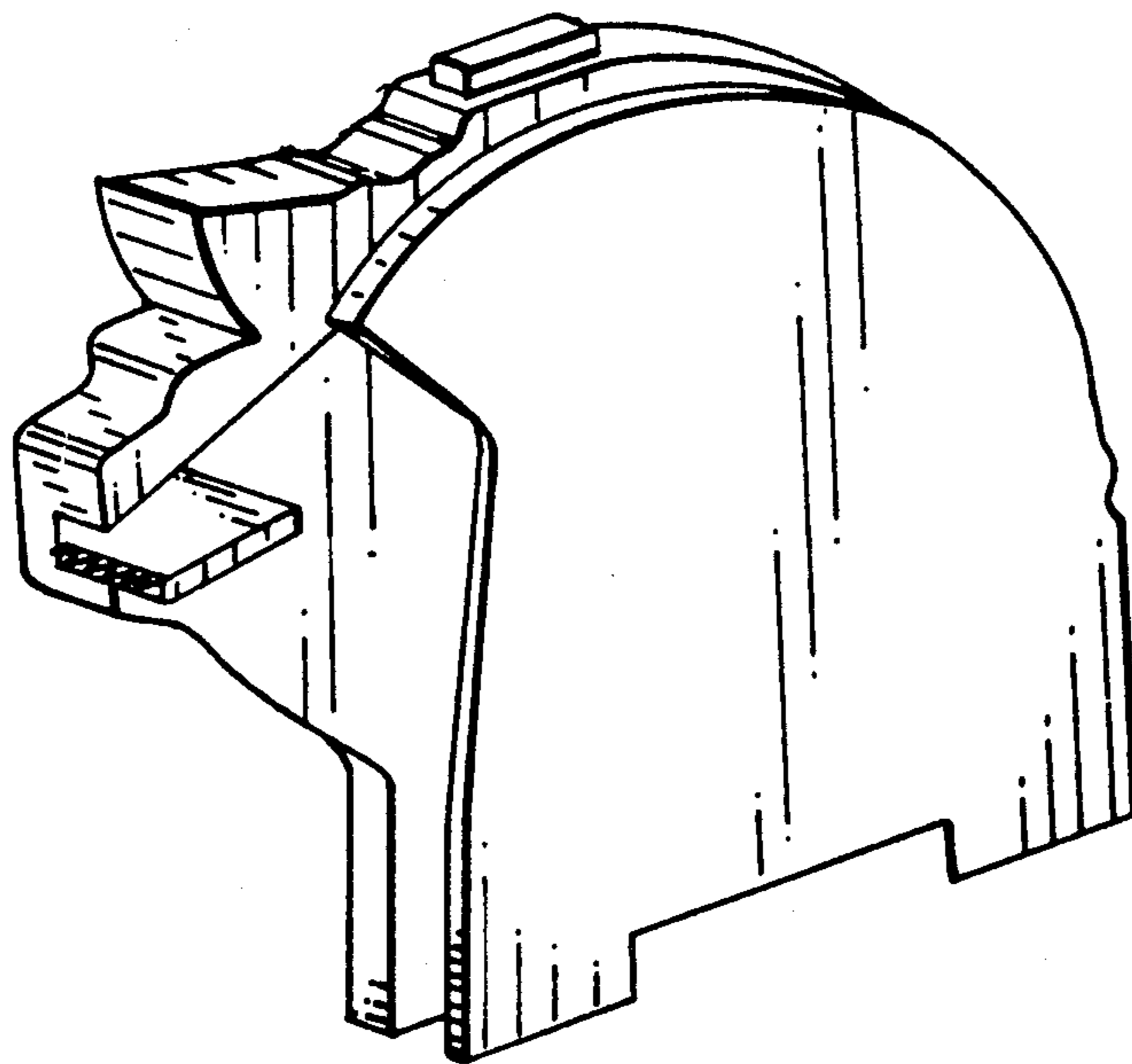
*Assistant Examiner*—Martha Thompson

### [57] CLAIM

The ornamental design for a tape dispenser, as shown and described.

### DESCRIPTION

FIG. 1 is a top, right front perspective view of a tape dispenser showing my new design;  
 FIG. 2 is a front elevational view thereof;  
 FIG. 3 is a top plan view thereof;  
 FIG. 4 is a right side elevational view thereof;  
 FIG. 5 is a left side elevational view thereof;  
 FIG. 6 is a bottom plan view thereof; and,  
 FIG. 7 is a rear elevational view thereof.



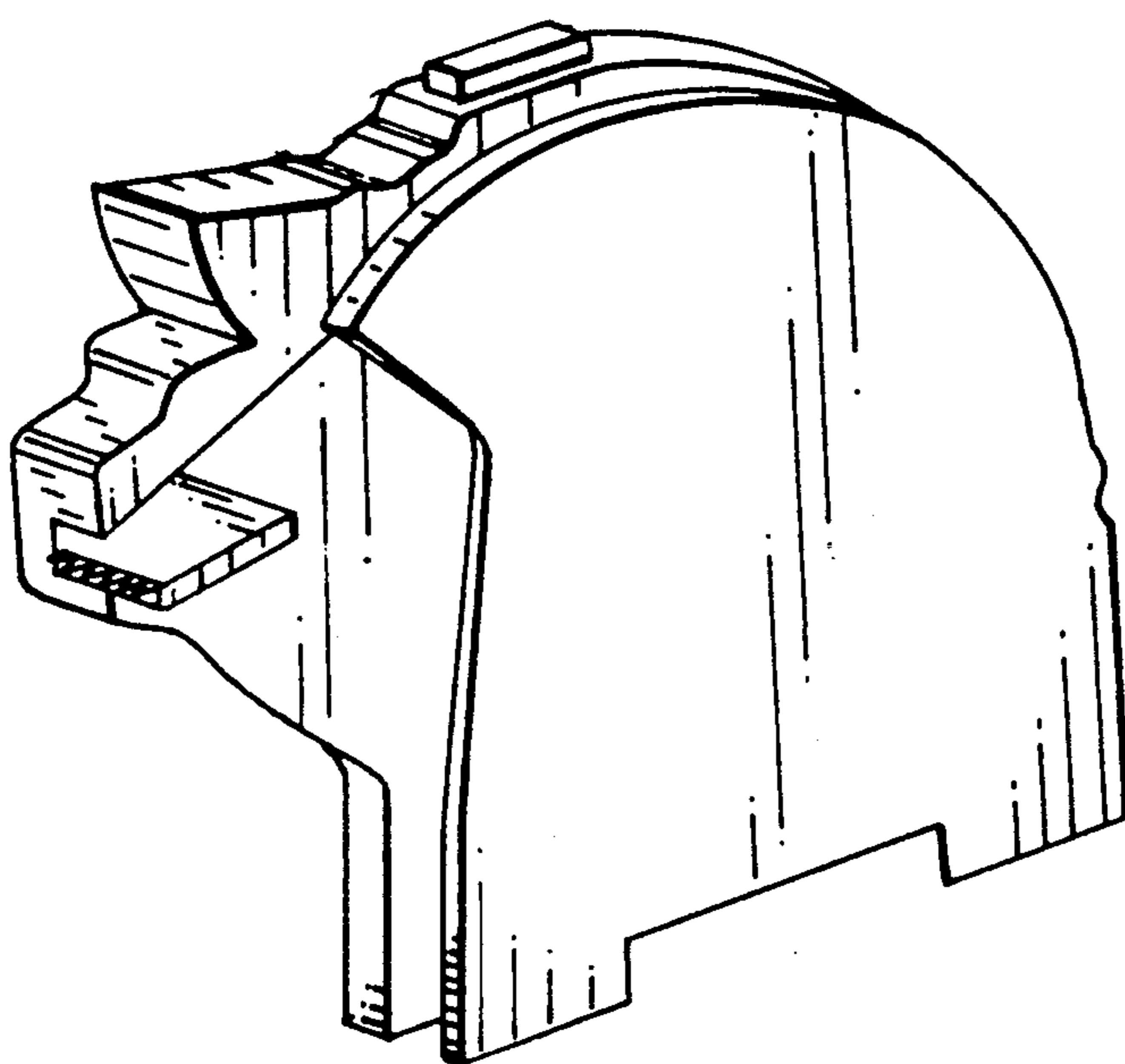


FIG. 1

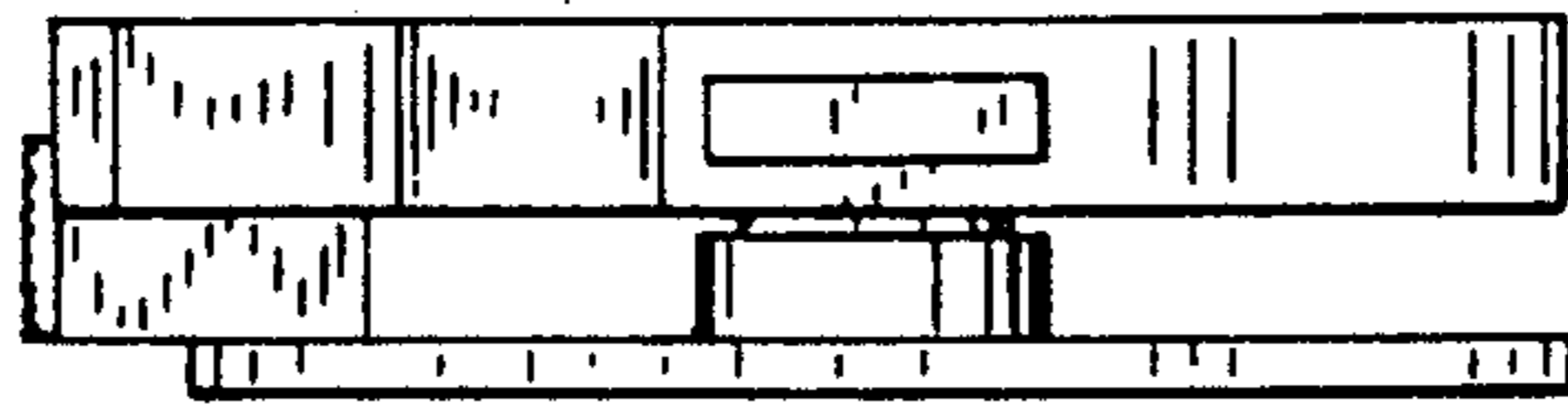


FIG. 2

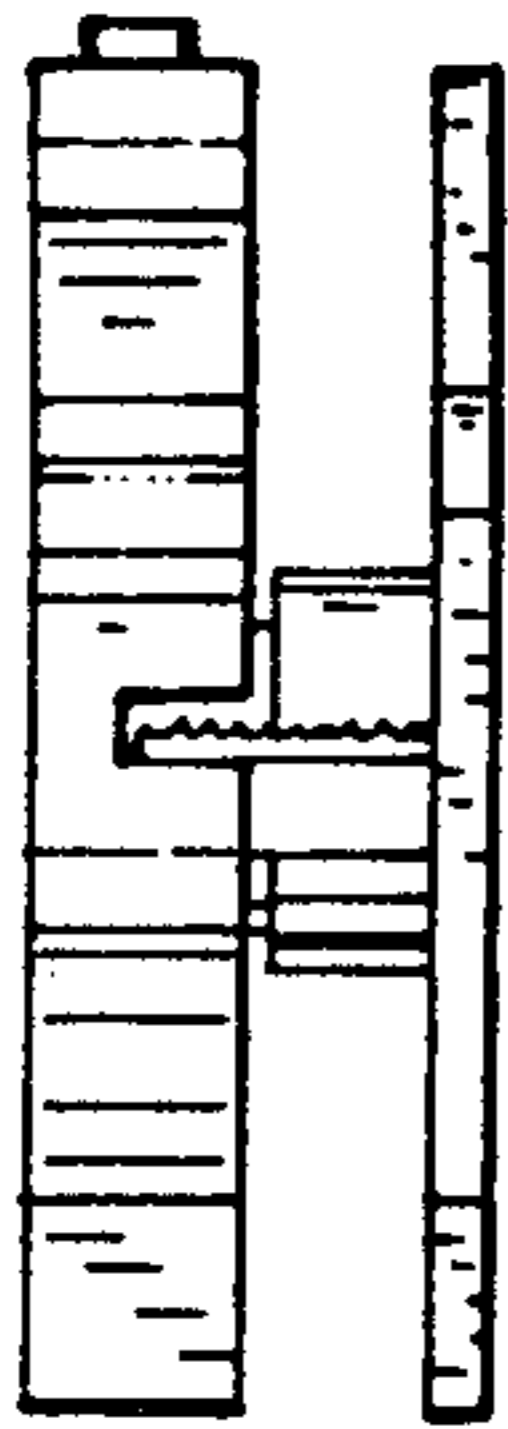


FIG. 4

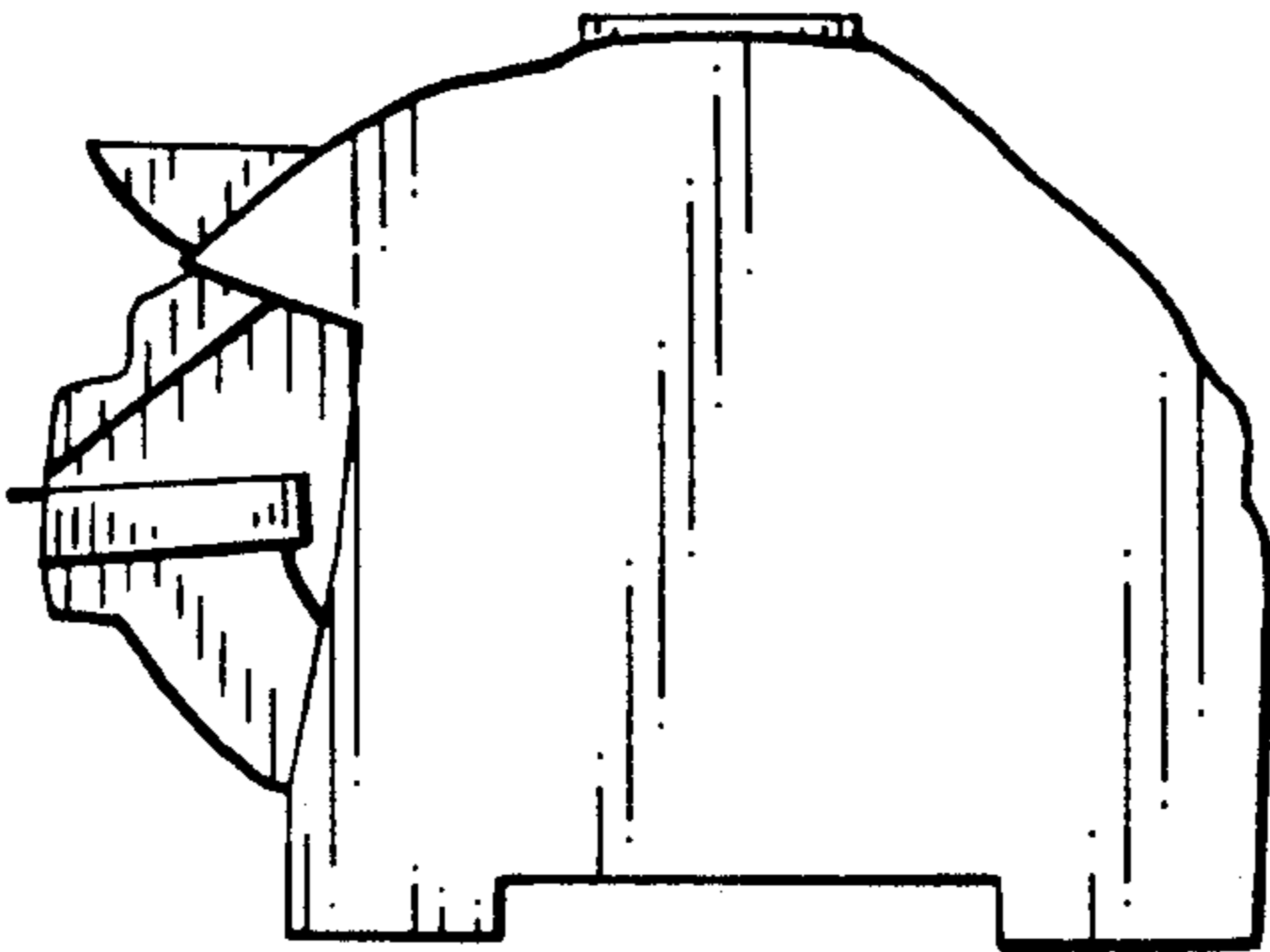


FIG. 7

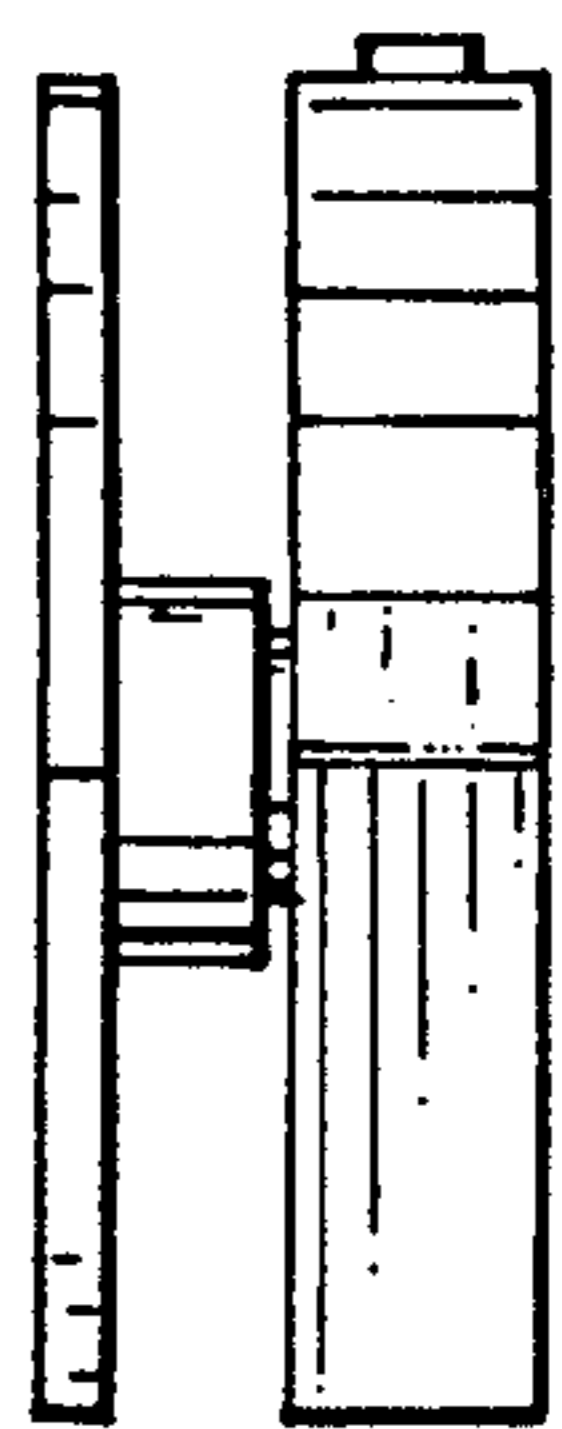


FIG. 3

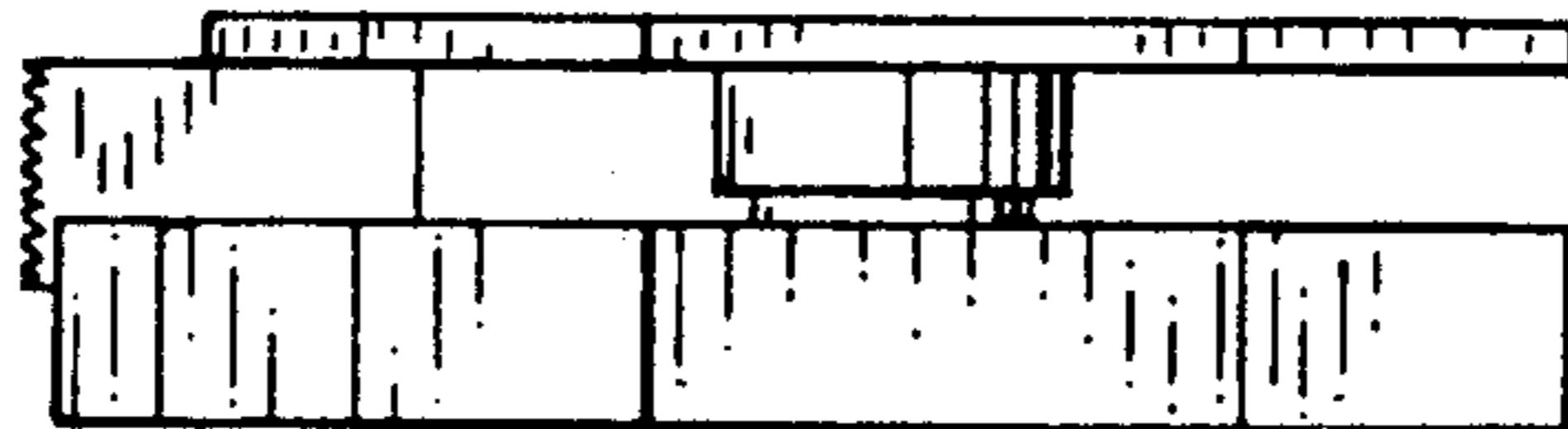


FIG. 5

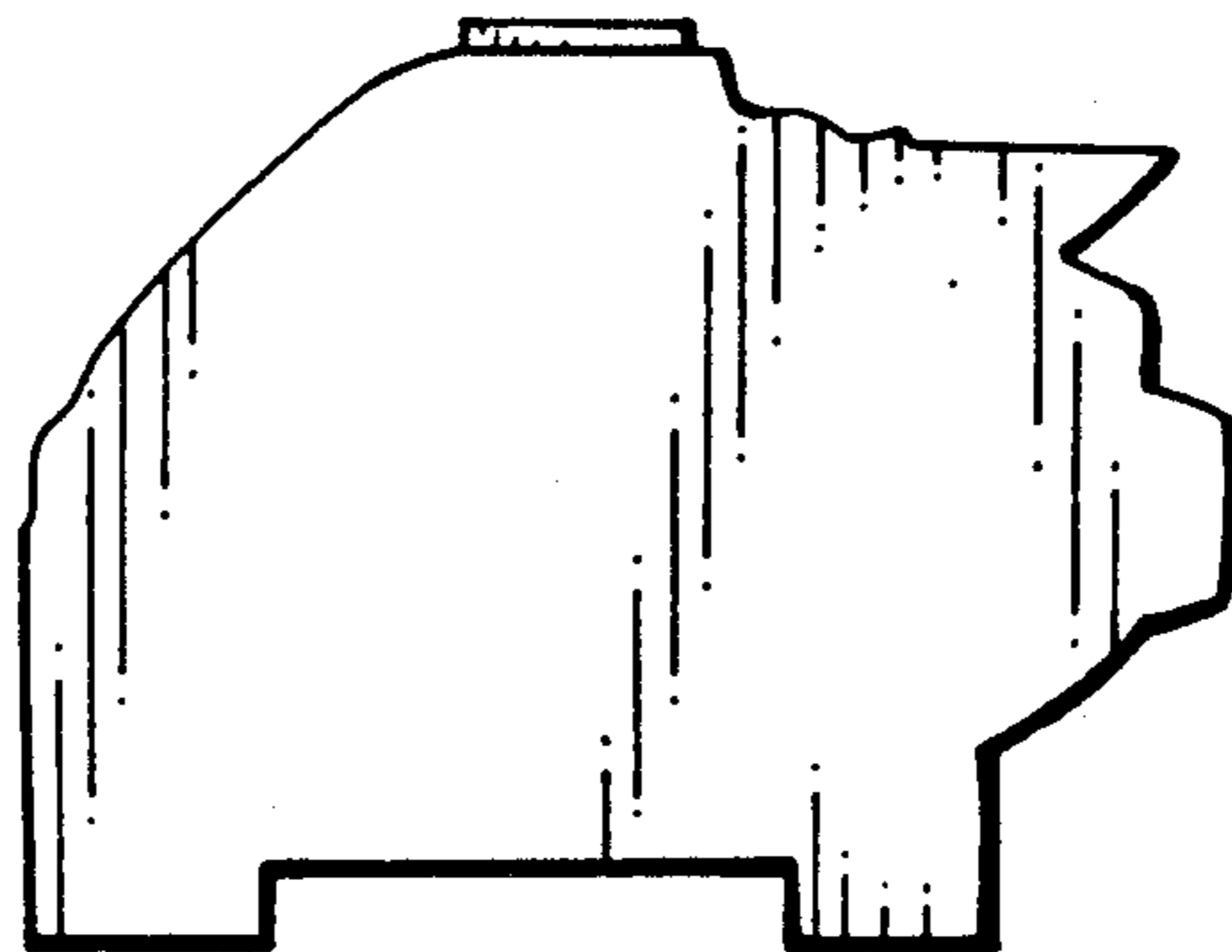


FIG. 6