



US00D325396S

United States Patent [19]

[11] Patent Number: Des. 325,396

Nascher

[45] Date of Patent: ** Apr. 14, 1992

[54] COMBINED PENCIL HOLDER AND VASE

[76] Inventor: Fred Nascher, 10819 Rochester Ave.,
Los Angeles, Calif. 90024

[**] Term: 14 Years

[21] Appl. No.: 511,539

[22] Filed: Apr. 20, 1990

[52] U.S. Cl. D19/85; D19/77;
D19/84; D11/146

[58] Field of Search D19/35, 36, 77, 79,
D19/81-85, 93, 95, 96, 97, 99, 100; D11/143,
146, 147, 152; 211/69, 69.1-69.9; 206/214, 371

[56] References Cited

U.S. PATENT DOCUMENTS

- D. 72,903 6/1927 Lewis D19/84
- D. 98,767 3/1936 Gregory D19/79
- D. 104,661 5/1937 Hanle D19/84
- D. 122,765 10/1940 Carlson D11/146
- D. 156,471 12/1949 Winchester D11/146
- D. 175,031 6/1955 Mason D19/84 X

- 218,614 8/1879 Adain D19/93 X
- D. 226,336 2/1973 Longarzo D19/84
- D. 245,368 8/1977 Mueller D11/147 X
- 2,591,349 4/1952 Goebel D11/146 X

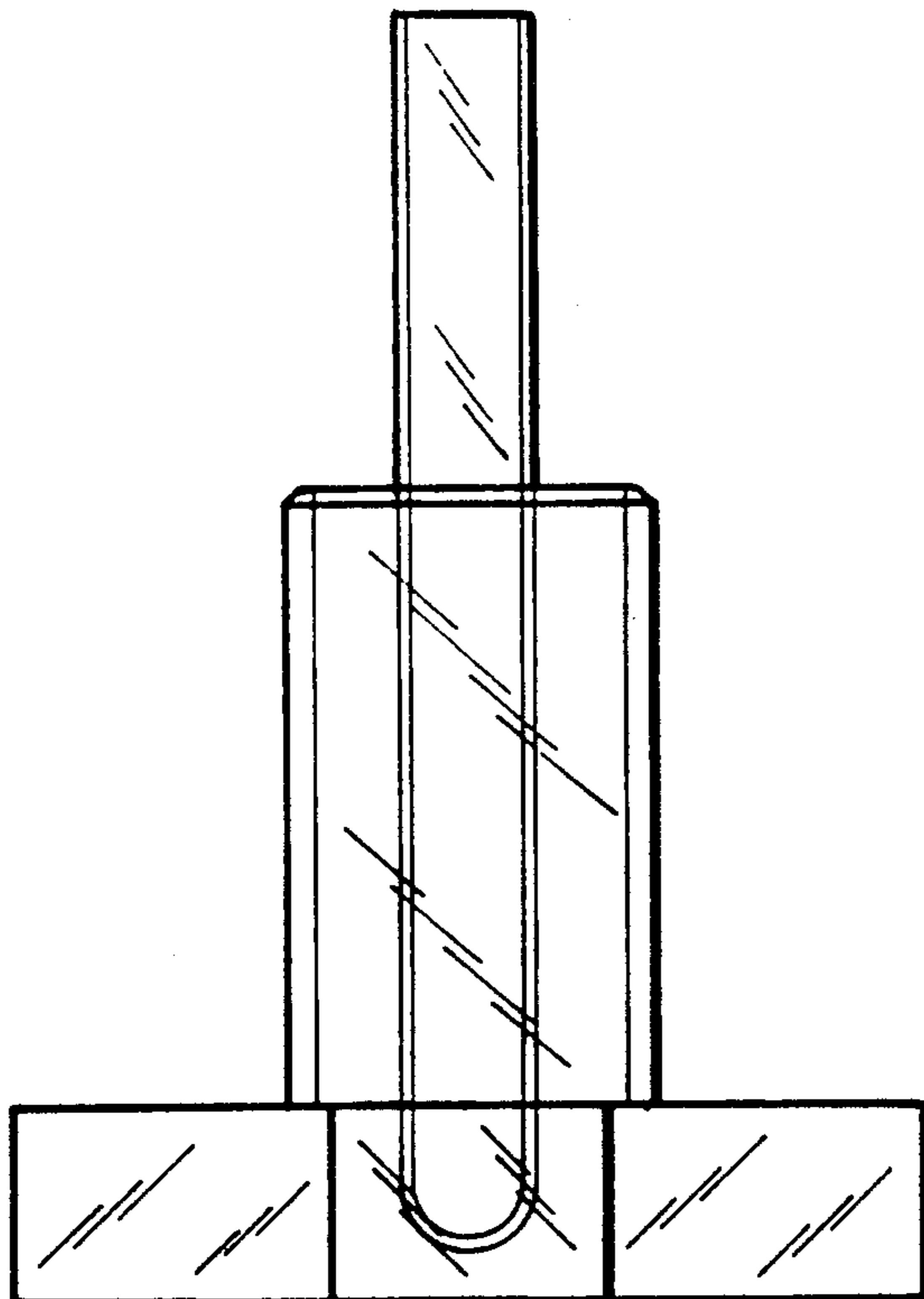
Primary Examiner—Bruce W. Dunkins
Assistant Examiner—Martha Thompson
Attorney, Agent, or Firm—R. H. Siegemund

[57] CLAIM

The ornamental design for a combined pencil holder and vase, as shown and described.

DESCRIPTION

FIG. 1 is a front elevational view of a combined pencil holder and vase showing my new design, the rear view being a mirror image thereof;
FIG. 2 is a side elevational view, the opposite side being a mirror image thereof;
FIG. 3 is a bottom plan view;
FIG. 4 is a top plan view; and,
FIG. 5 is a top, left front perspective view in an exploded condition.



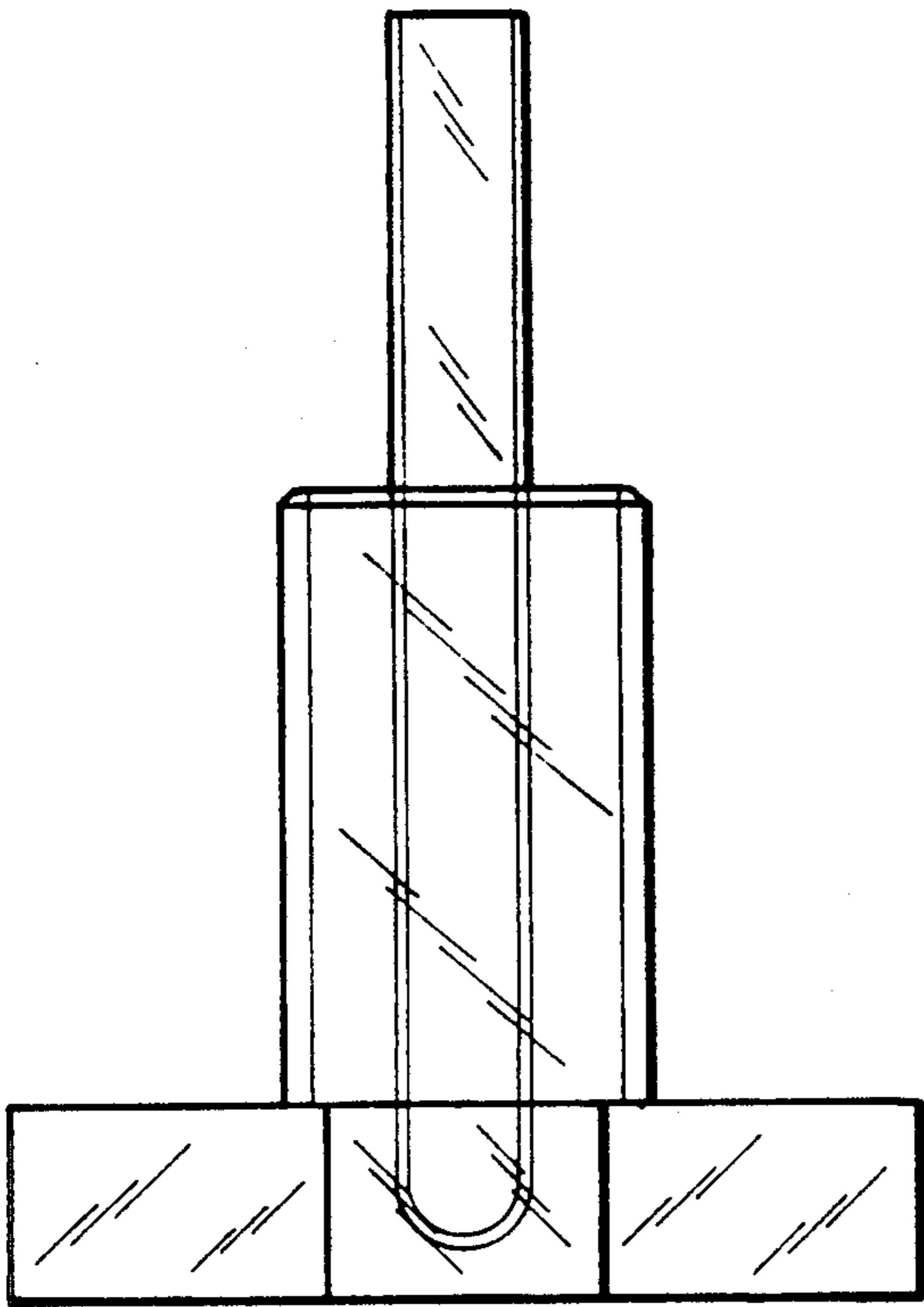


FIG. 1

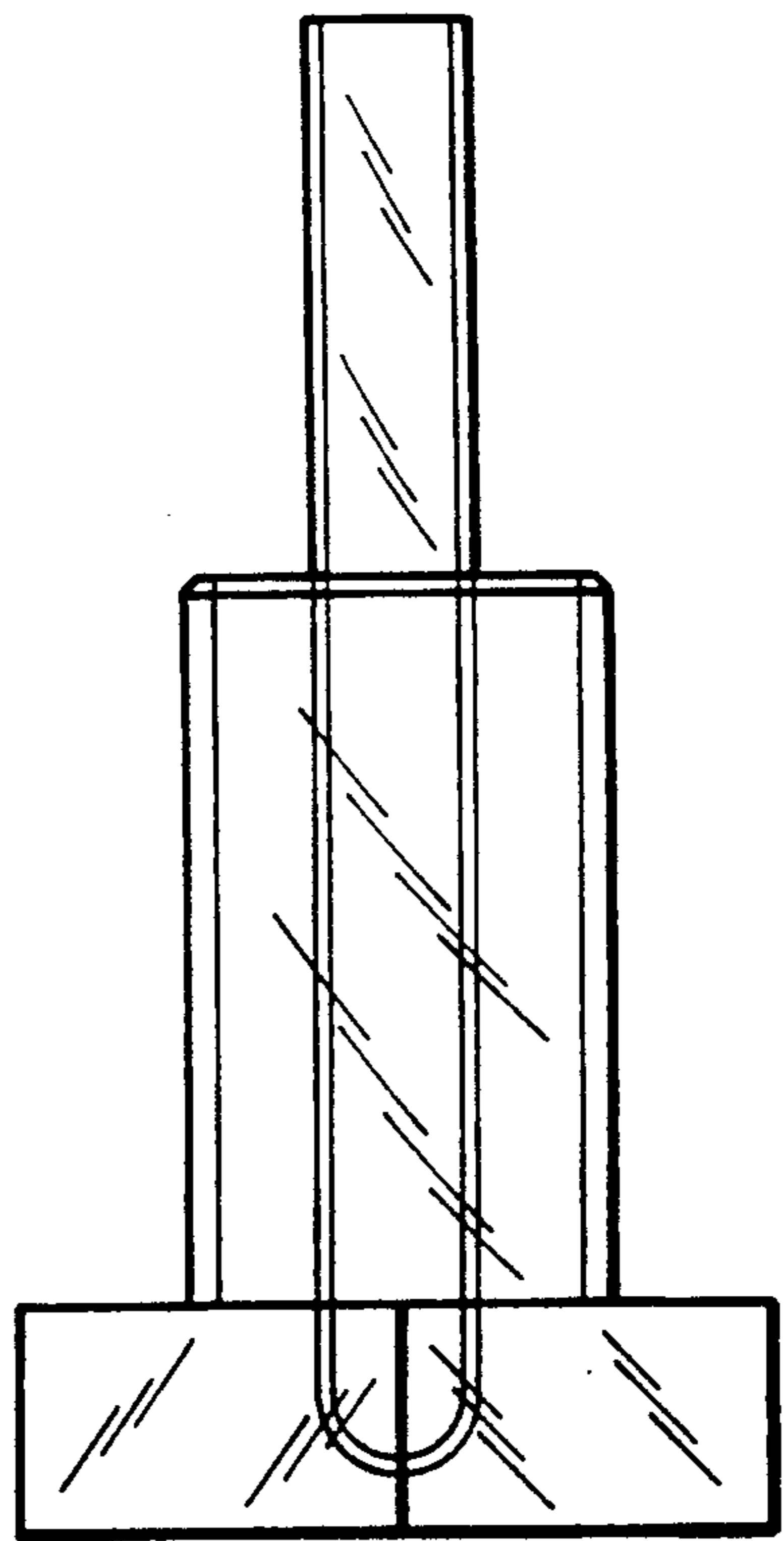


FIG. 2

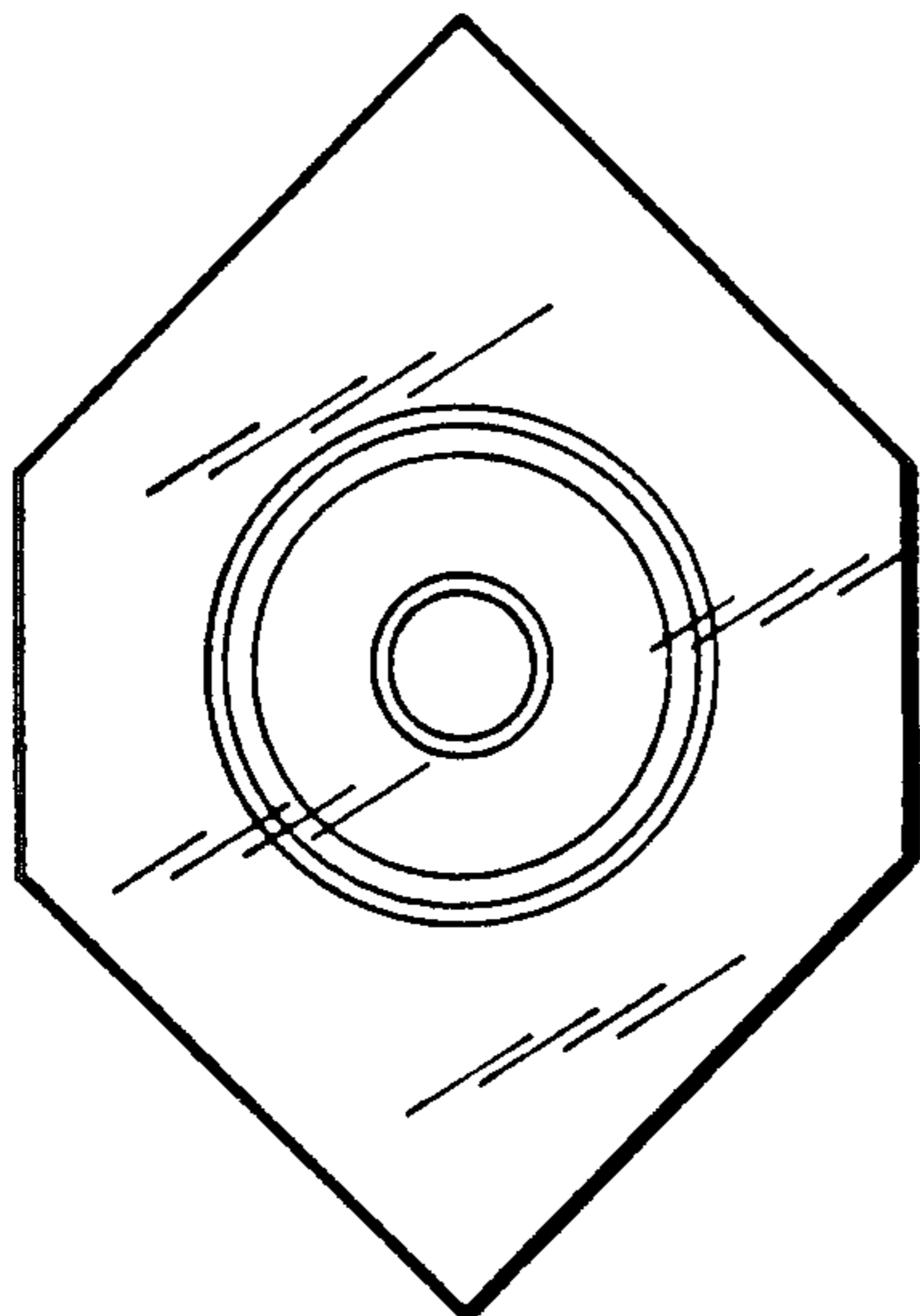


FIG. 3

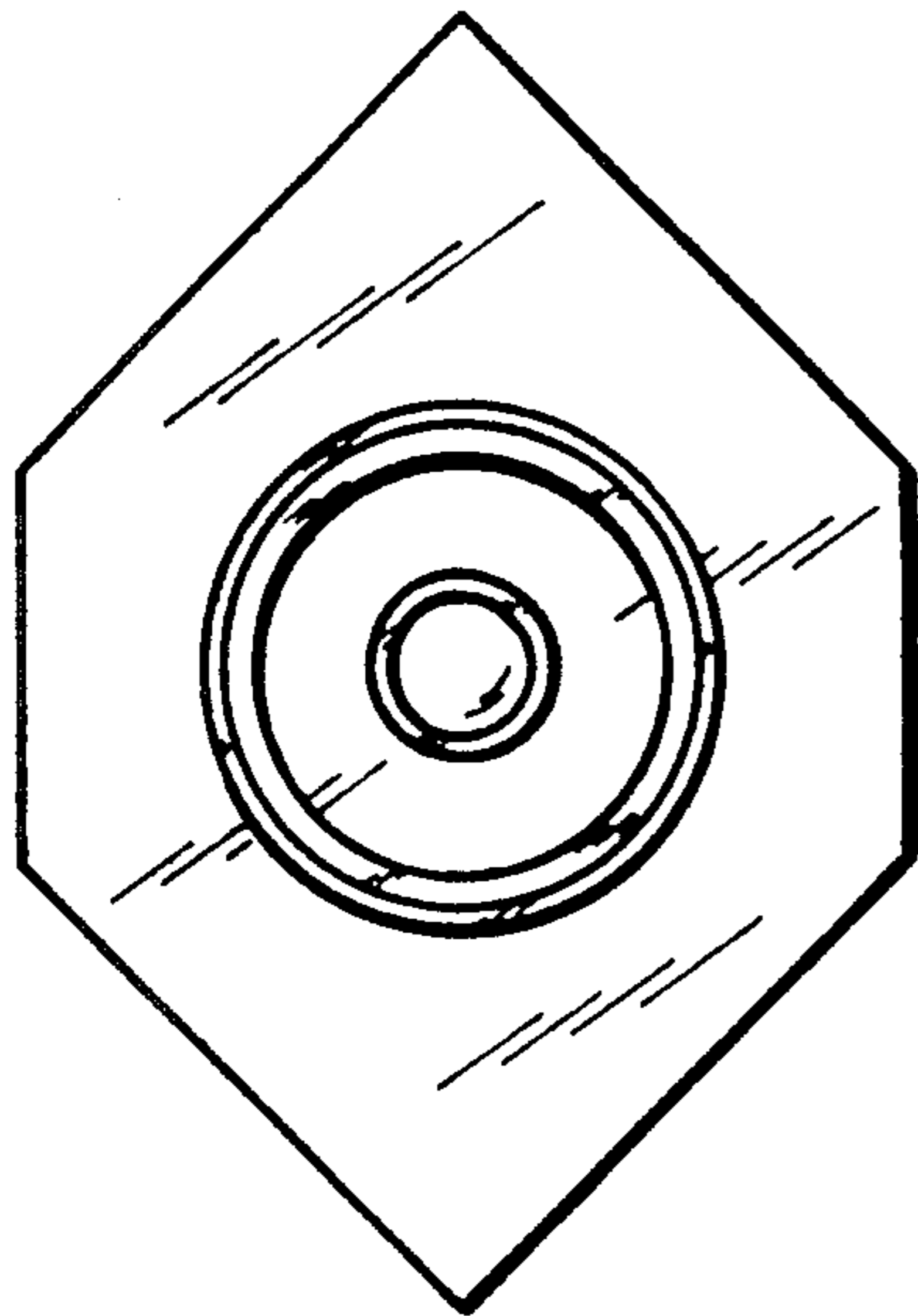


FIG. 4

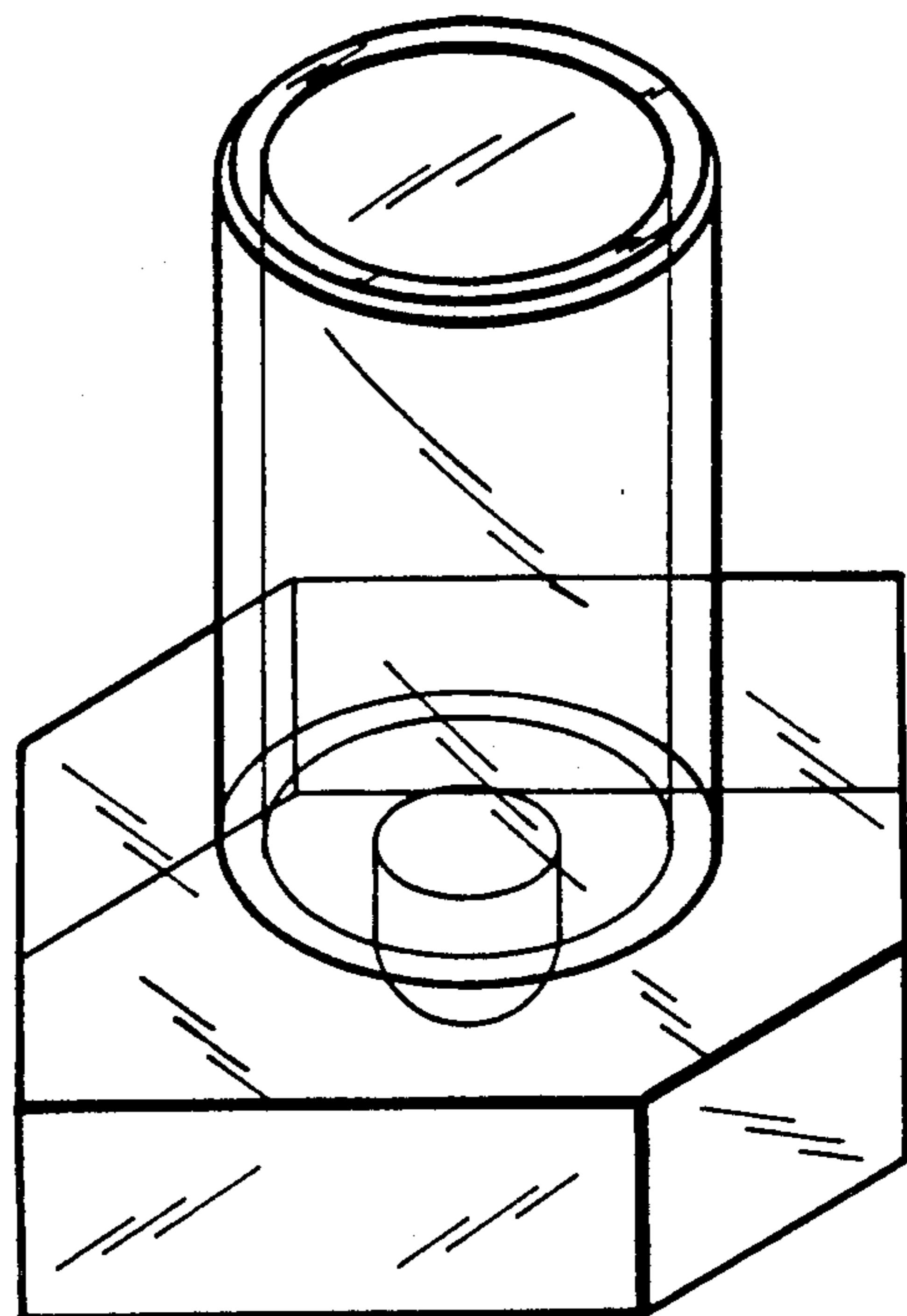
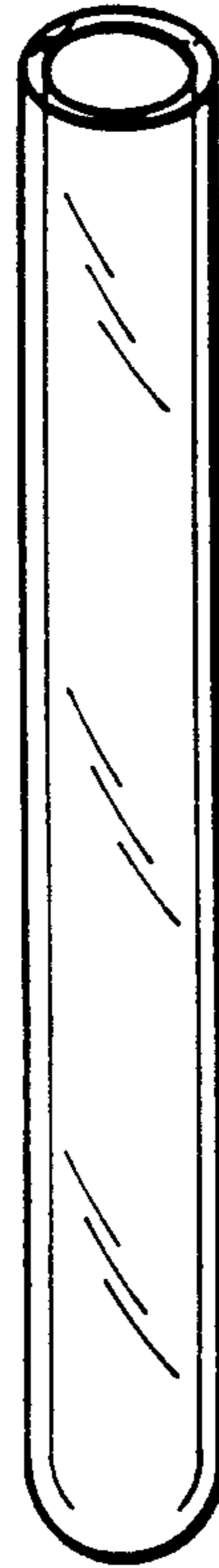


FIG. 5