



US00D325395S

United States Patent [19]

[11] Patent Number: **Des. 325,395**

Tu

[45] Date of Patent: **** Apr. 14, 1992**

[54] PAPER CLIP CONTAINER OR SIMILAR ARTICLE

[75] Inventor: **Charlie Tu, Taipei, Taiwan**

[73] Assignee: **Chuang Tao Corporation, Taipei, Taiwan**

[**] Term: **14 Years**

[21] Appl. No.: **533,664**

[22] Filed: **Jun. 5, 1990**

[52] U.S. Cl. **D19/75; D19/65; D19/95**

[58] Field of Search **D19/49, 65, 70, 75, D19/71, 77, 95, 96, 99, 100; D3/20, 39, 30.1; D9/428; 206/214, 336, 338, 371**

[56] **References Cited**

U.S. PATENT DOCUMENTS

- D. 219,758 1/1971 Fauth D19/49 X
- D. 231,271 4/1974 Finkel D19/75
- D. 238,945 2/1976 Macowski D19/75
- D. 266,934 11/1982 King D19/75

- D. 273,309 4/1984 Evenson D19/75
- D. 282,380 1/1986 King D19/75
- D. 286,550 11/1986 Yuen D19/75
- D. 302,832 8/1989 King D19/75
- D. 308,892 6/1990 Dahle D19/75
- D. 316,566 4/1991 Sun D19/75
- 3,750,868 8/1973 Cooper 206/214

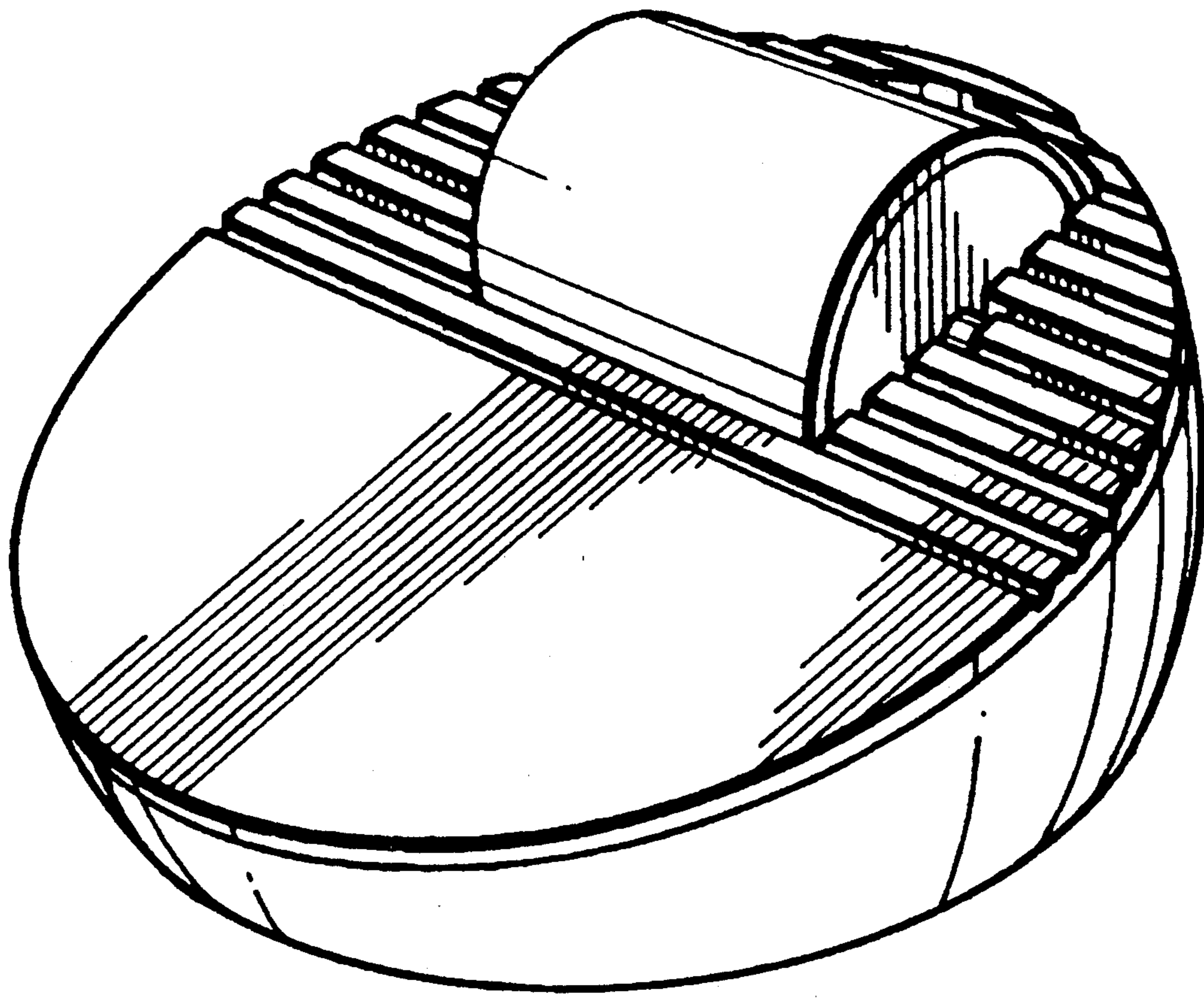
Primary Examiner—Donald P. Walsh
Assistant Examiner—Martha Thompson
Attorney, Agent, or Firm—Curtis, Morris & Safford

[57] **CLAIM**

The ornamental design for a paper clip container or similar article, as shown and described.

DESCRIPTION

FIG. 1 is a front elevational view of a paper clip container or similar article showing my new design; FIG. 2 is a rear elevational view thereof; FIG. 3 is a left side elevational view thereof; FIG. 4 is a right side elevational view thereof; FIG. 5 is a top plan view thereof; FIG. 6 is a bottom plan view thereof; and, FIG. 7 is a top, right front perspective view thereof.



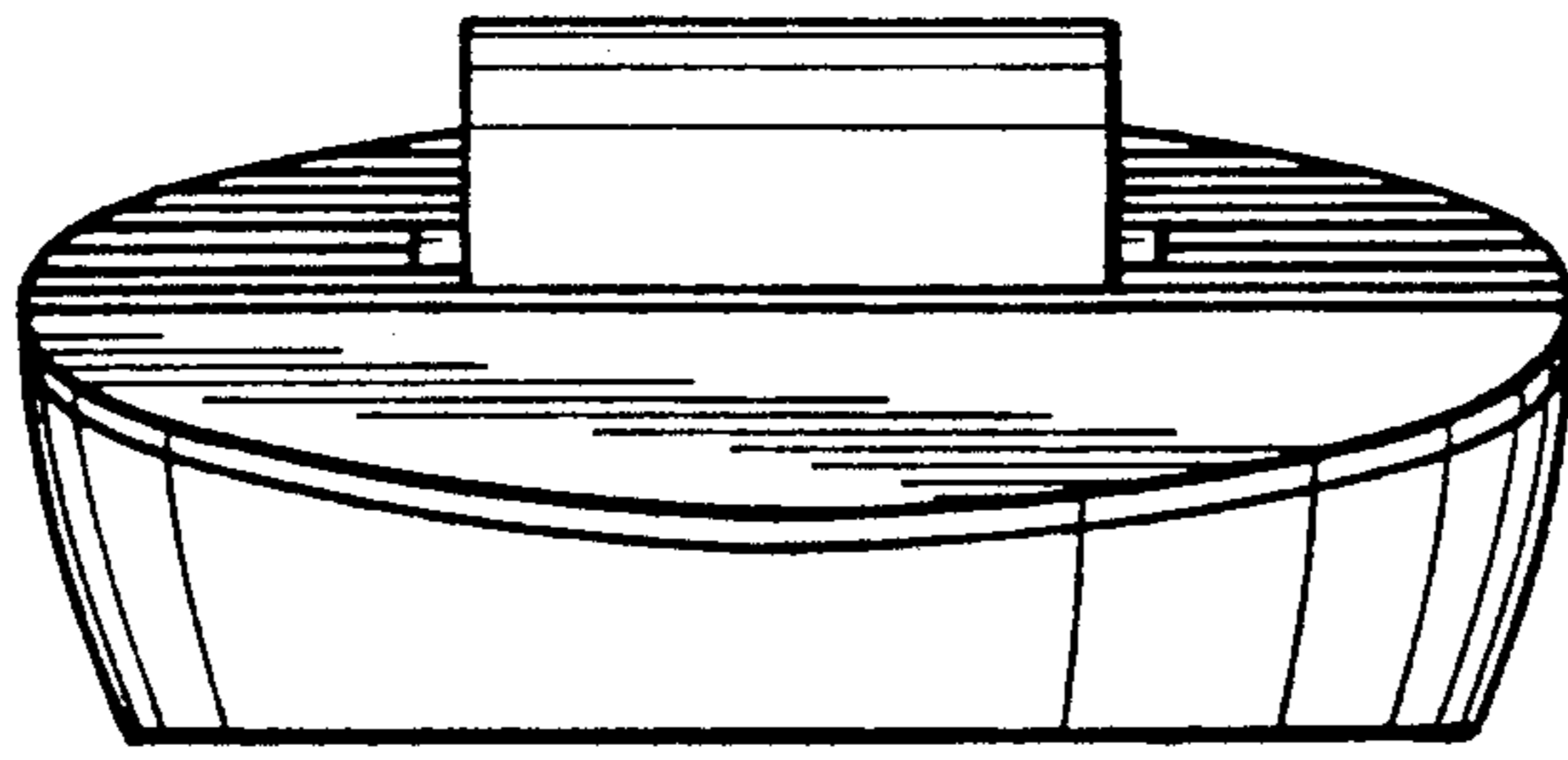


FIG. 1

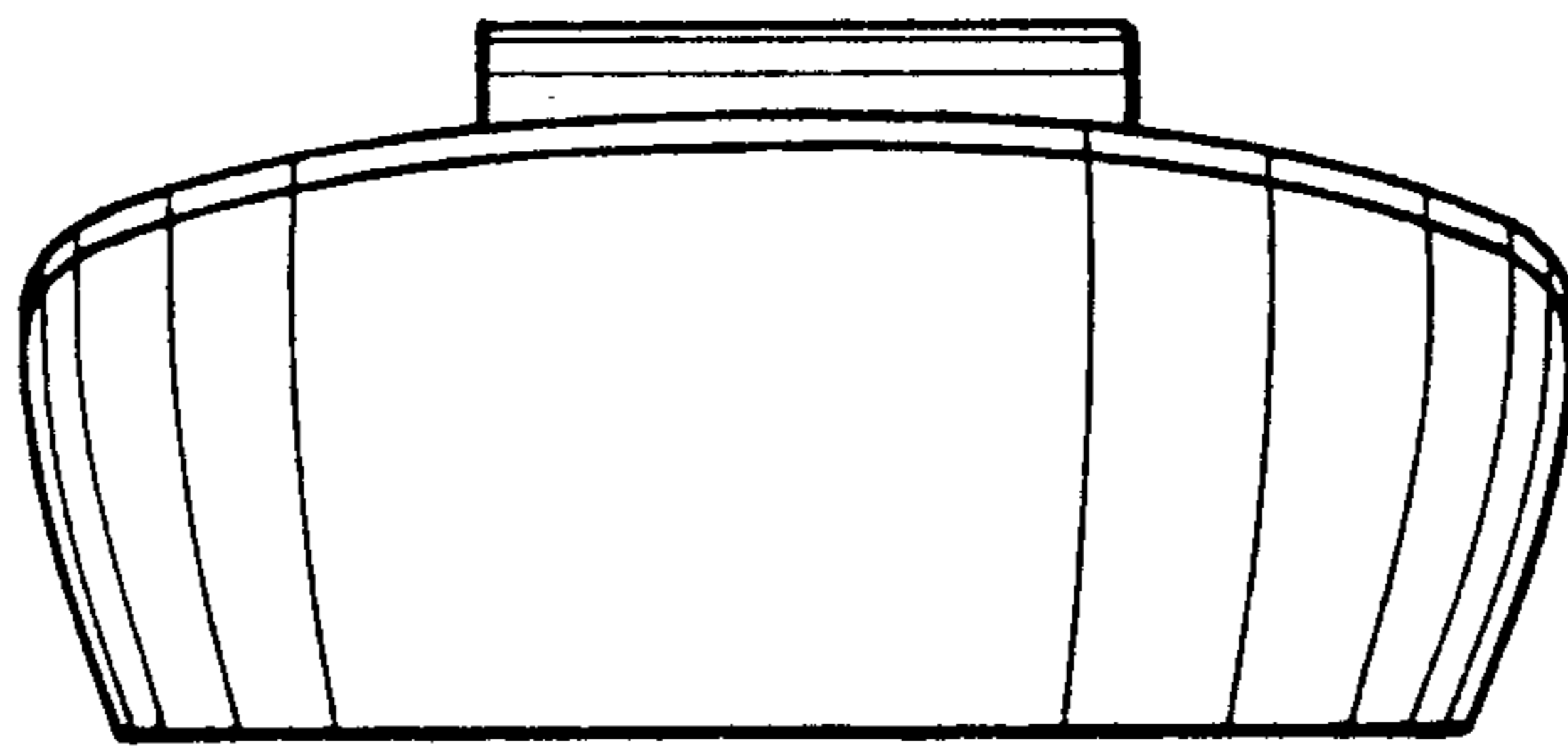


FIG. 2

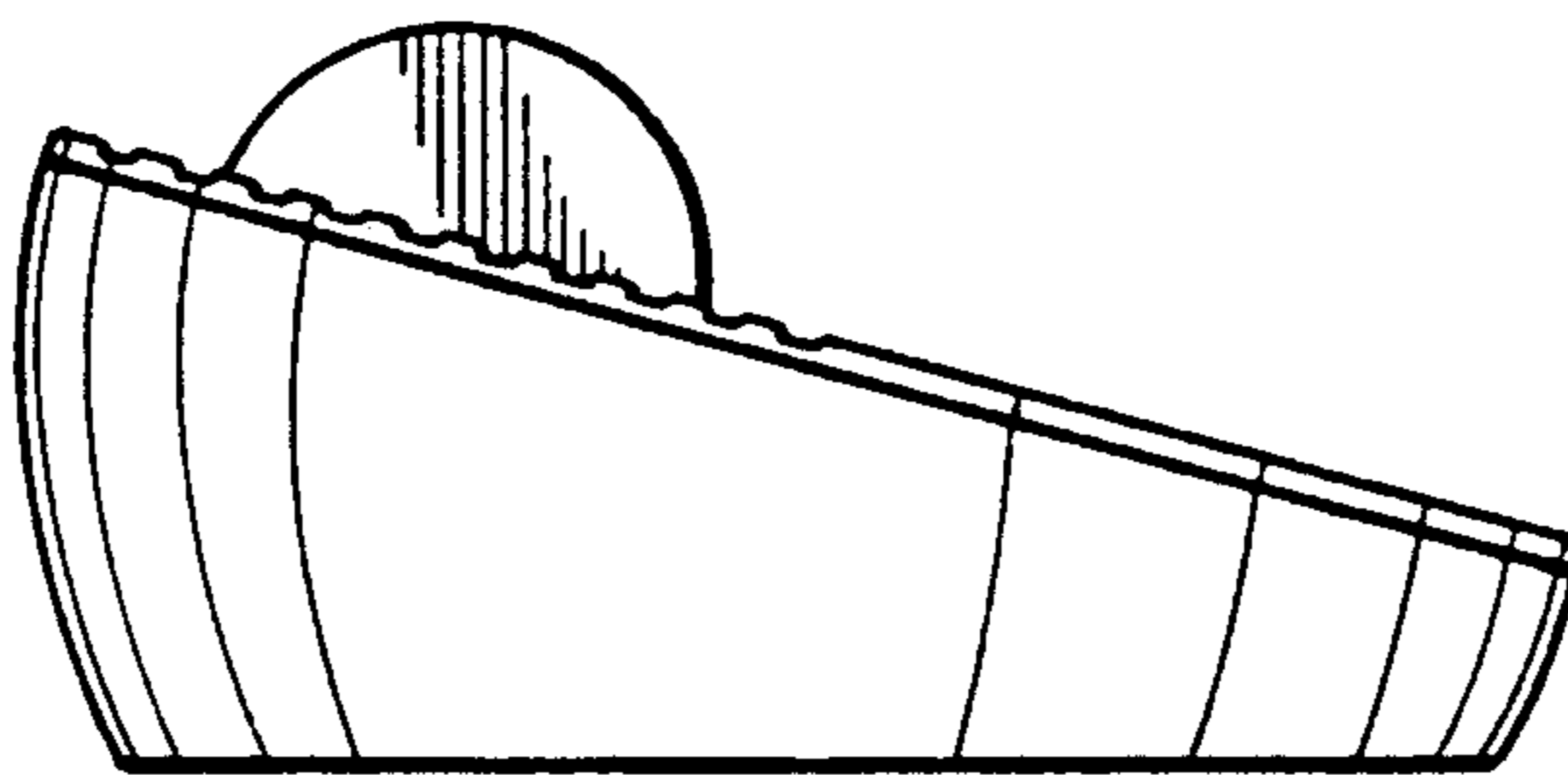


FIG. 3

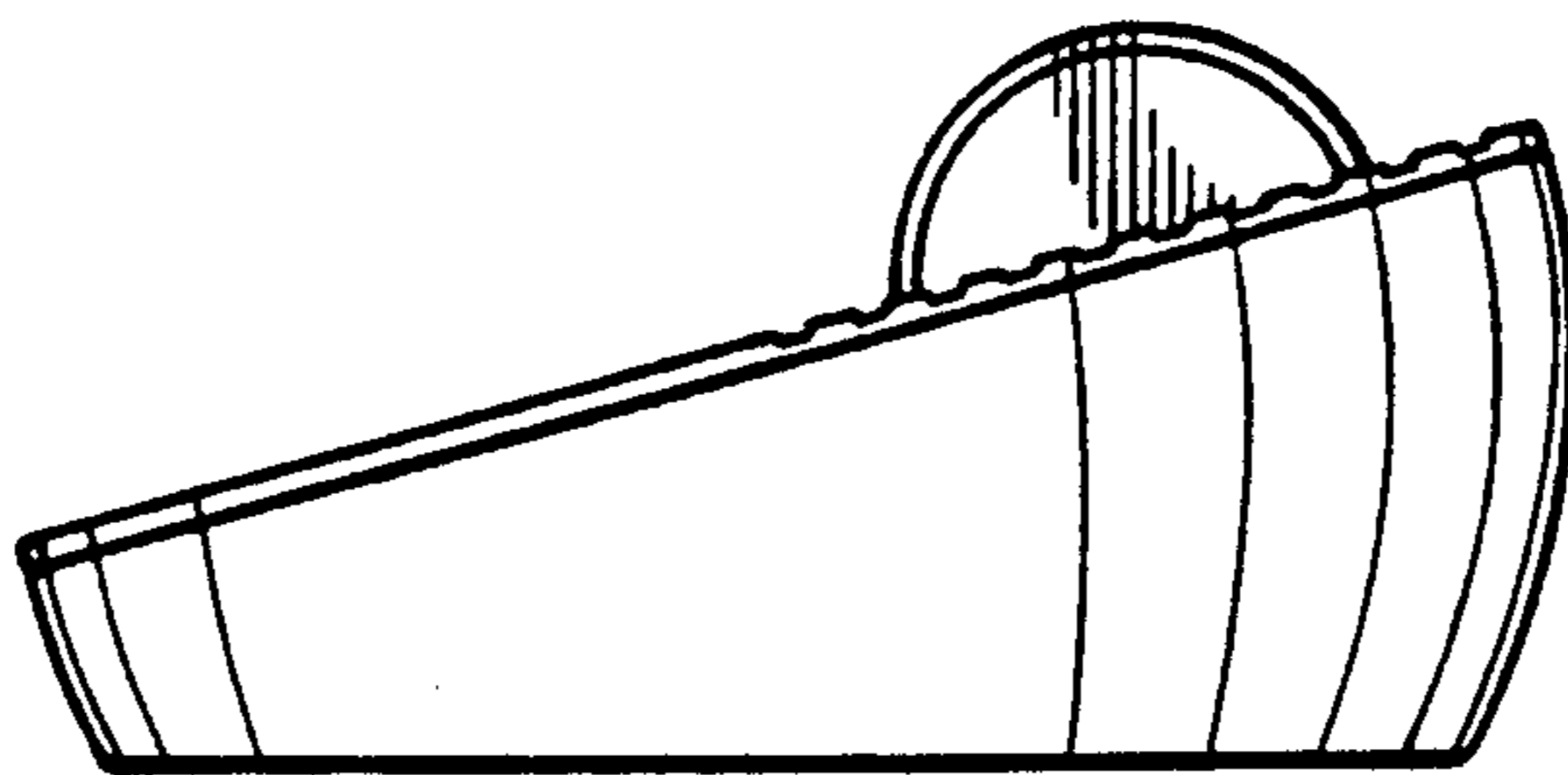


FIG. 4

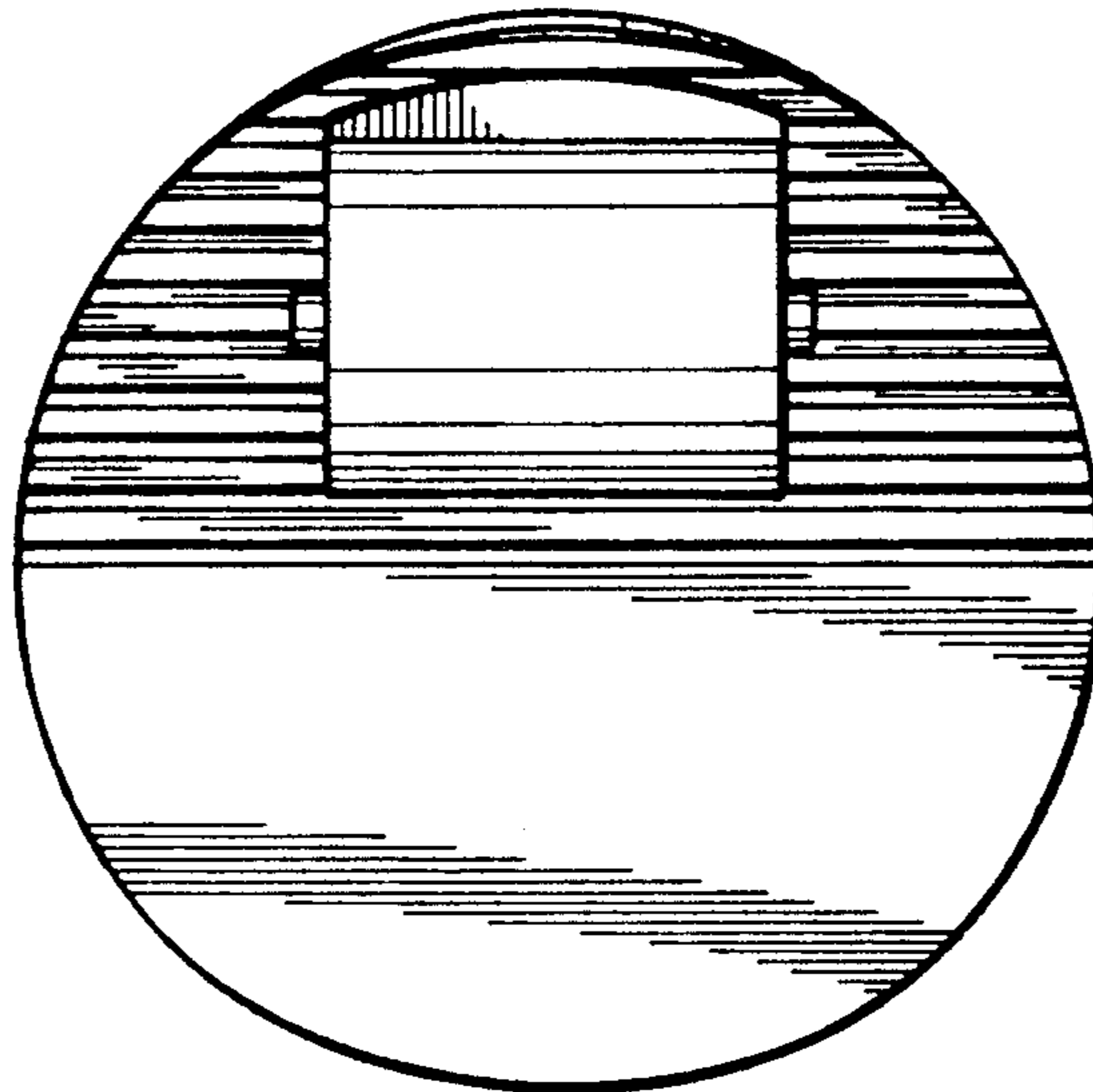


FIG. 5

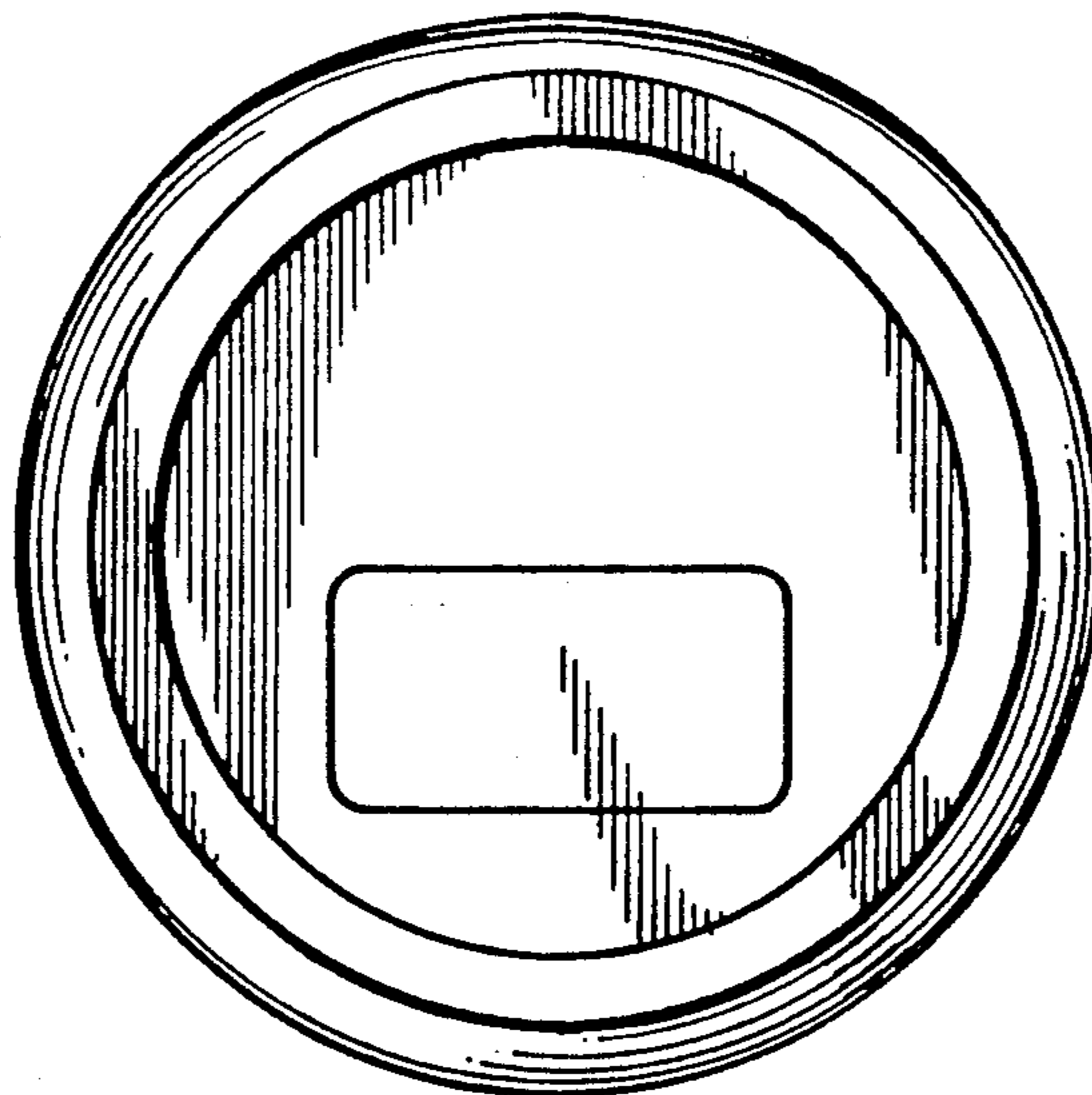


FIG. 6

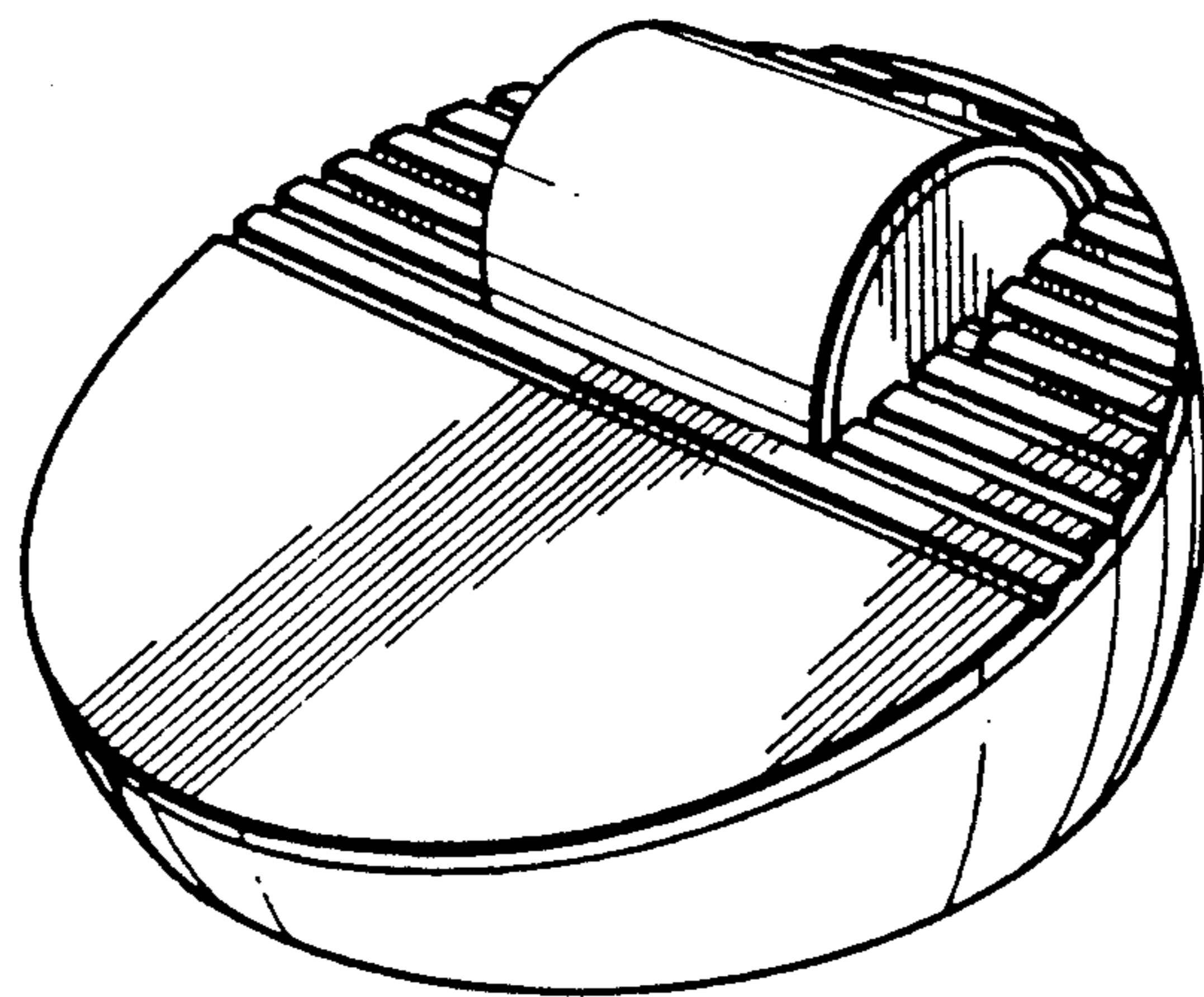


FIG. 7