



US00D325394S

# United States Patent [19]

[11] Patent Number: **Des. 325,394**

Ishii

[45] Date of Patent: **\*\* Apr. 14, 1992**

[54] **MOTORIZED ADHESIVE TAPE DISPENSER**

[75] Inventor: **Mitsuo Ishii, Ageo, Japan**

[73] Assignee: **Elm Industry Co., Ltd., Tokyo, Japan**

[\*\*] Term: **14 Years**

[21] Appl. No.: **470,525**

[22] Filed: **Jan. 25, 1990**

[30] **Foreign Application Priority Data**

Aug. 1, 1989 [JP] Japan ..... 1-28439

[52] U.S. Cl. .... **D19/68; D19/67;**  
D19/69

[58] Field of Search ..... **D19/67, 68, 69, 70;**  
225/6, 16, 77, 74, 45, 56, 89; 312/39

[56] **References Cited**

**U.S. PATENT DOCUMENTS**

- D. 113,352 2/1939 Rudie ..... D19/68
- D. 161,072 11/1950 White ..... D19/69
- D. 169,789 6/1953 Reinecke ..... D19/68
- D. 202,593 10/1965 Stoy ..... D19/70 X
- D. 228,208 8/1973 Macowski ..... D19/68

- D. 232,056 7/1974 Kondo ..... D19/68
- D. 248,961 8/1978 Debrey ..... D19/69
- D. 298,042 10/1982 Szablak ..... D19/67
- D. 306,612 3/1990 Kahler ..... D19/67
- D. 318,690 7/1991 Huang ..... D19/69
- 2,400,776 5/1946 Nordeen et al. .... 225/74

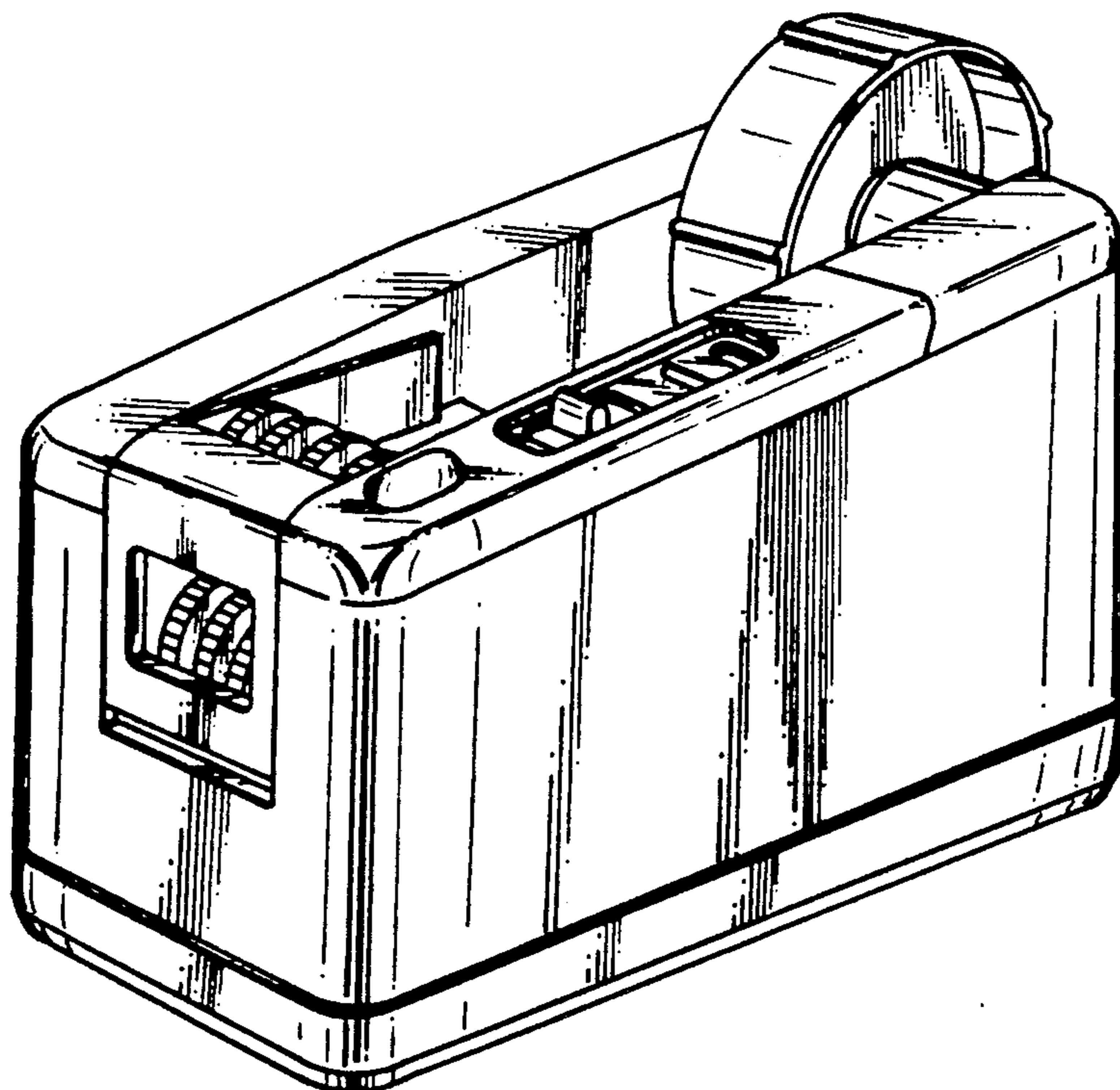
*Primary Examiner*—Bruce W. Dunkins  
*Assistant Examiner*—Martha Thompson  
*Attorney, Agent, or Firm*—Oblon, Spivak, McClelland, Maier & Neustadt

[57] **CLAIM**

The ornamental design for a motorized adhesive tape dispenser, as shown and described.

**DESCRIPTION**

FIG. 1 is a top, right front perspective view of a motorized adhesive tape dispenser showing my new design; FIG. 2 is a front elevational view thereof; FIG. 3 is a rear elevational view thereof; FIG. 4 is a top plan view thereof; FIG. 5 is a bottom plan view thereof; FIG. 6 is a right side elevational view thereof; and, FIG. 7 is a left side elevational view thereof.



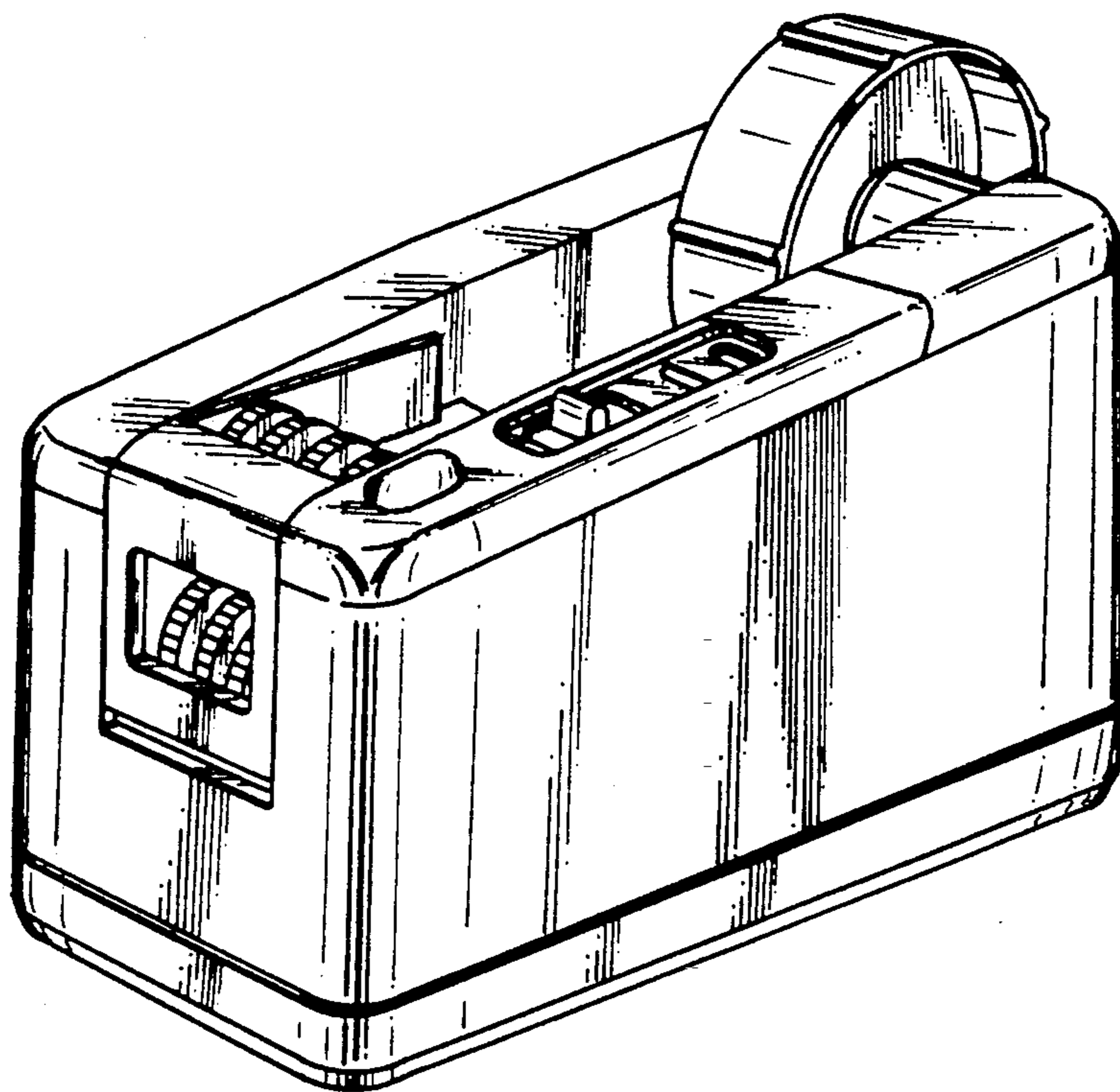


FIG. 1

FIG. 2

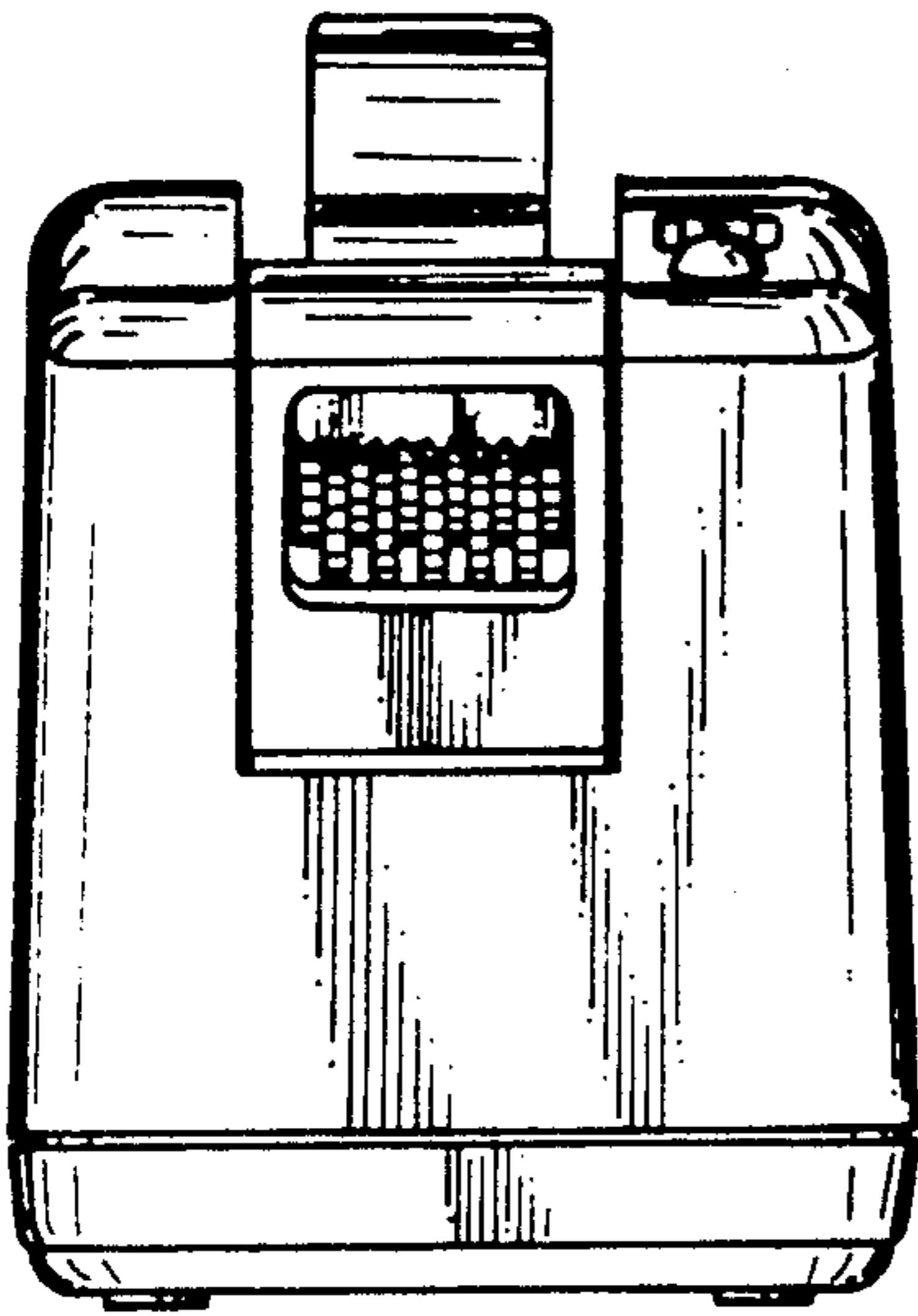


FIG. 3

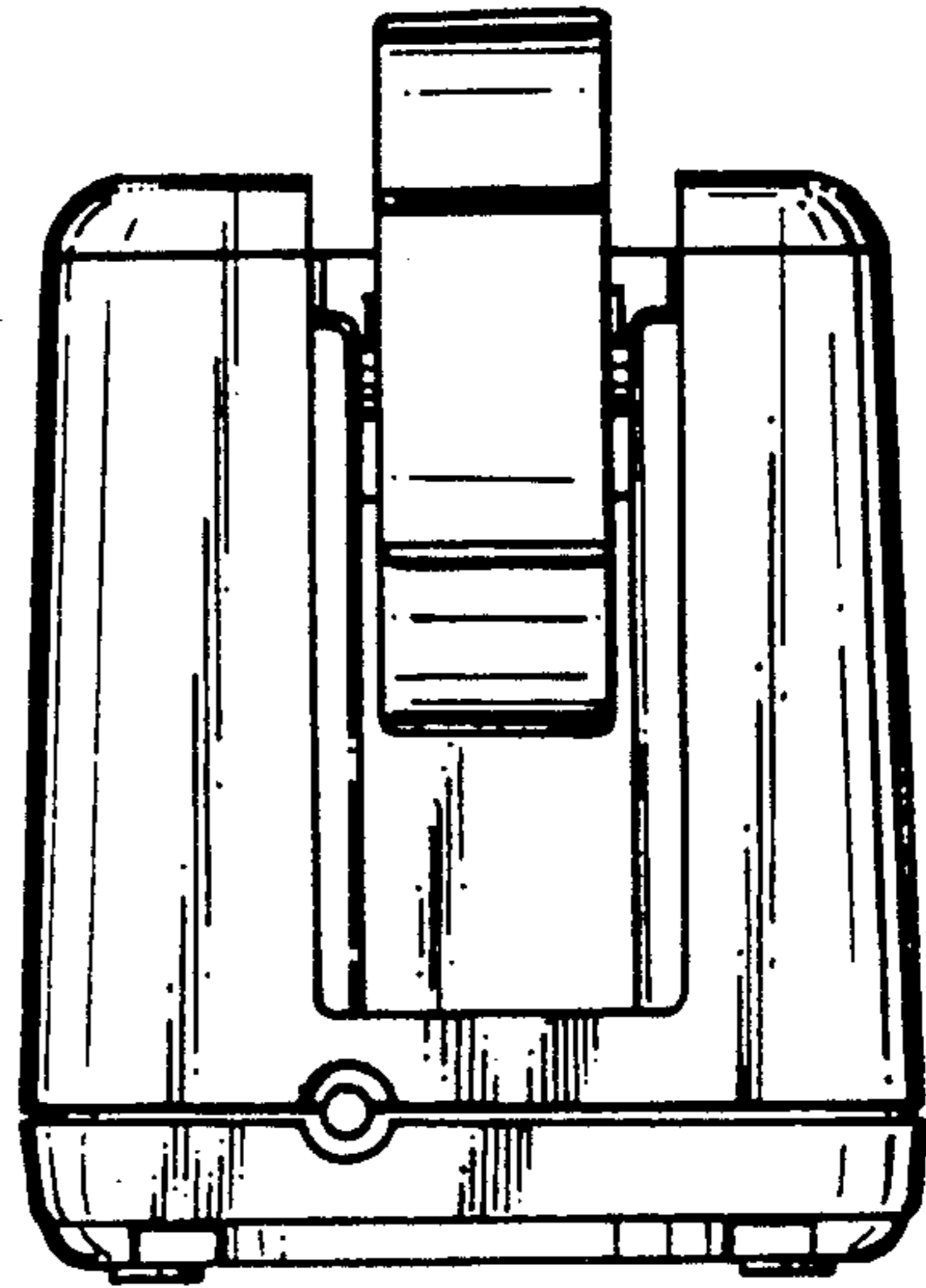


FIG. 4

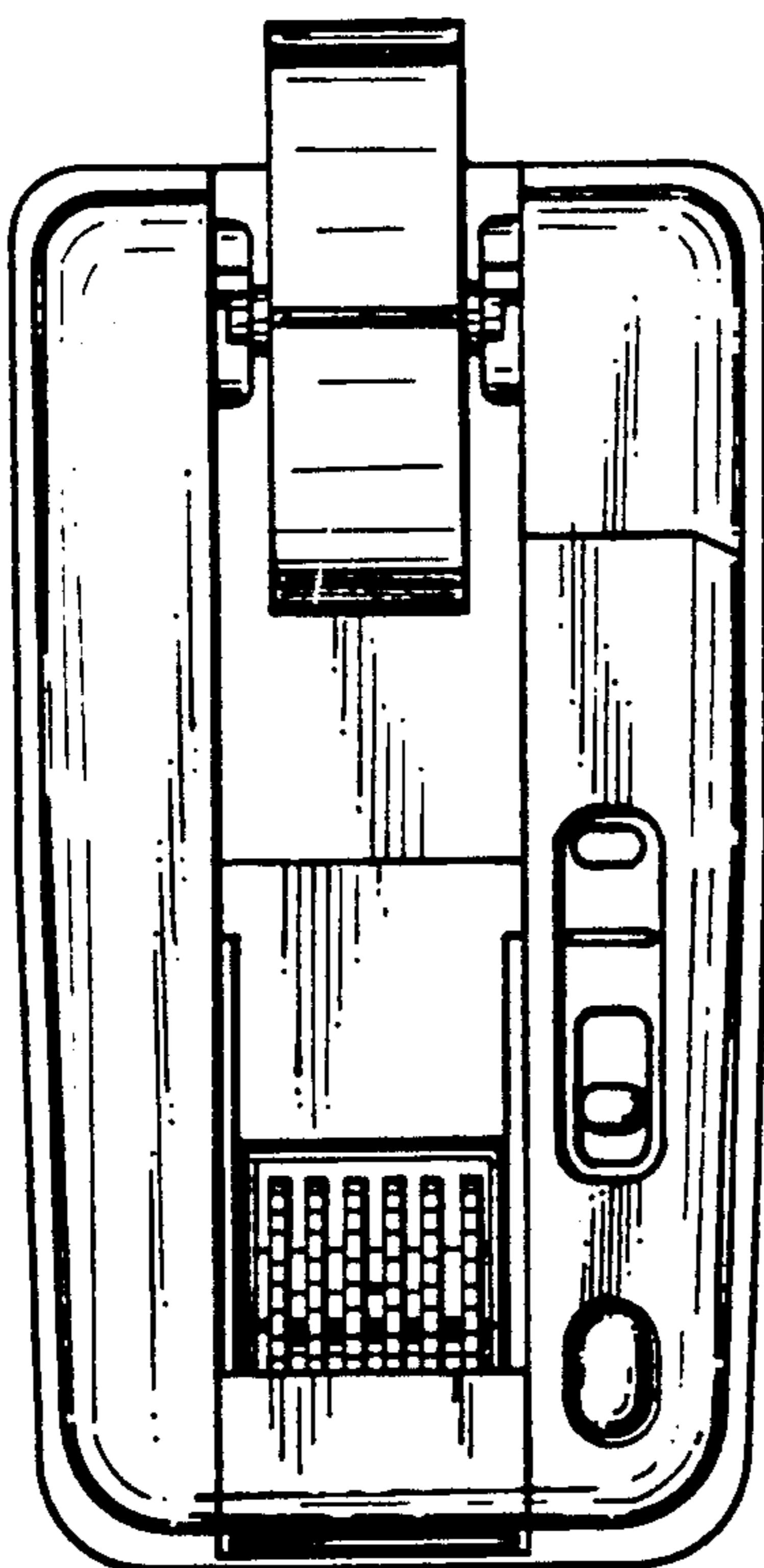
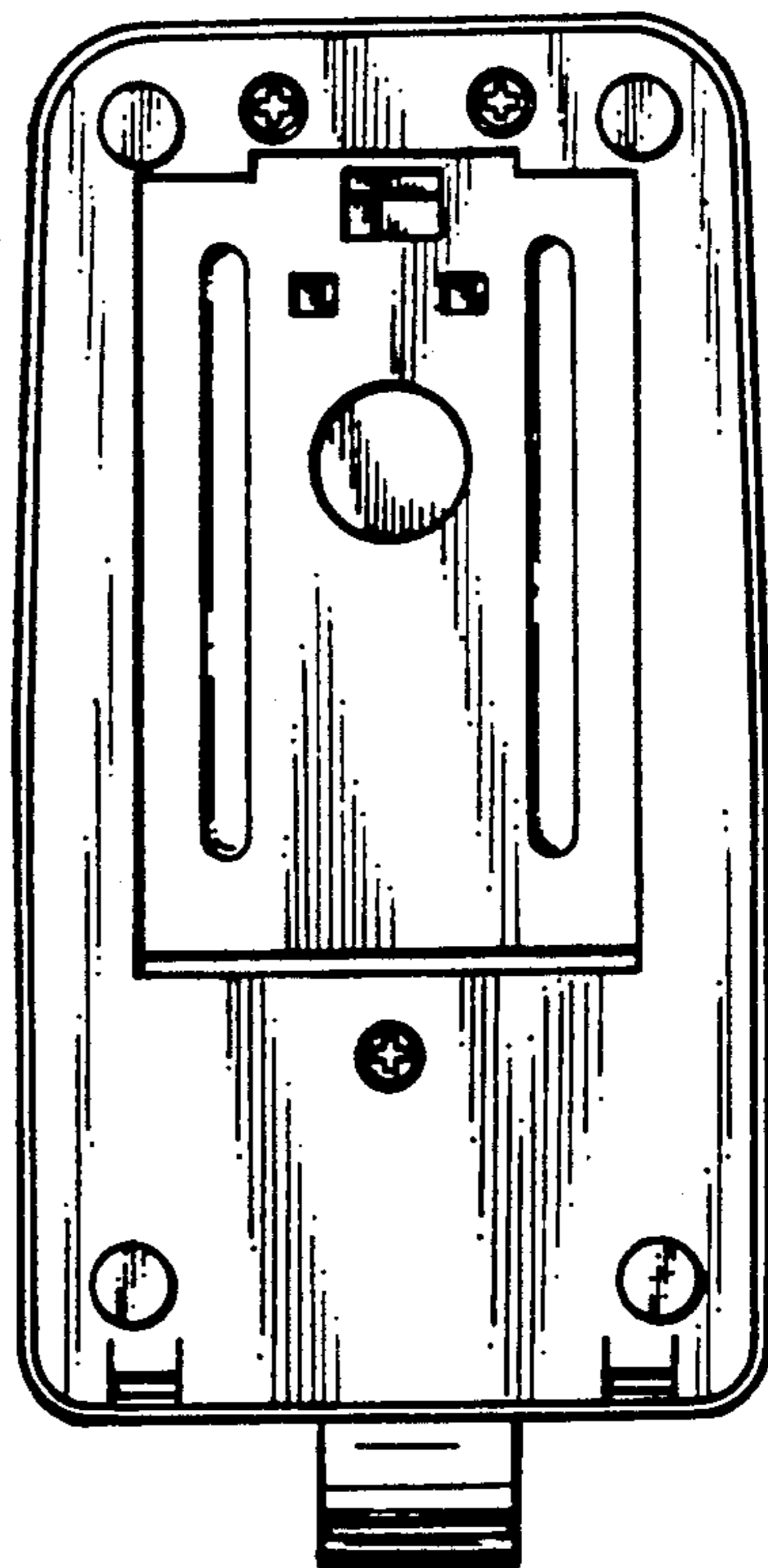
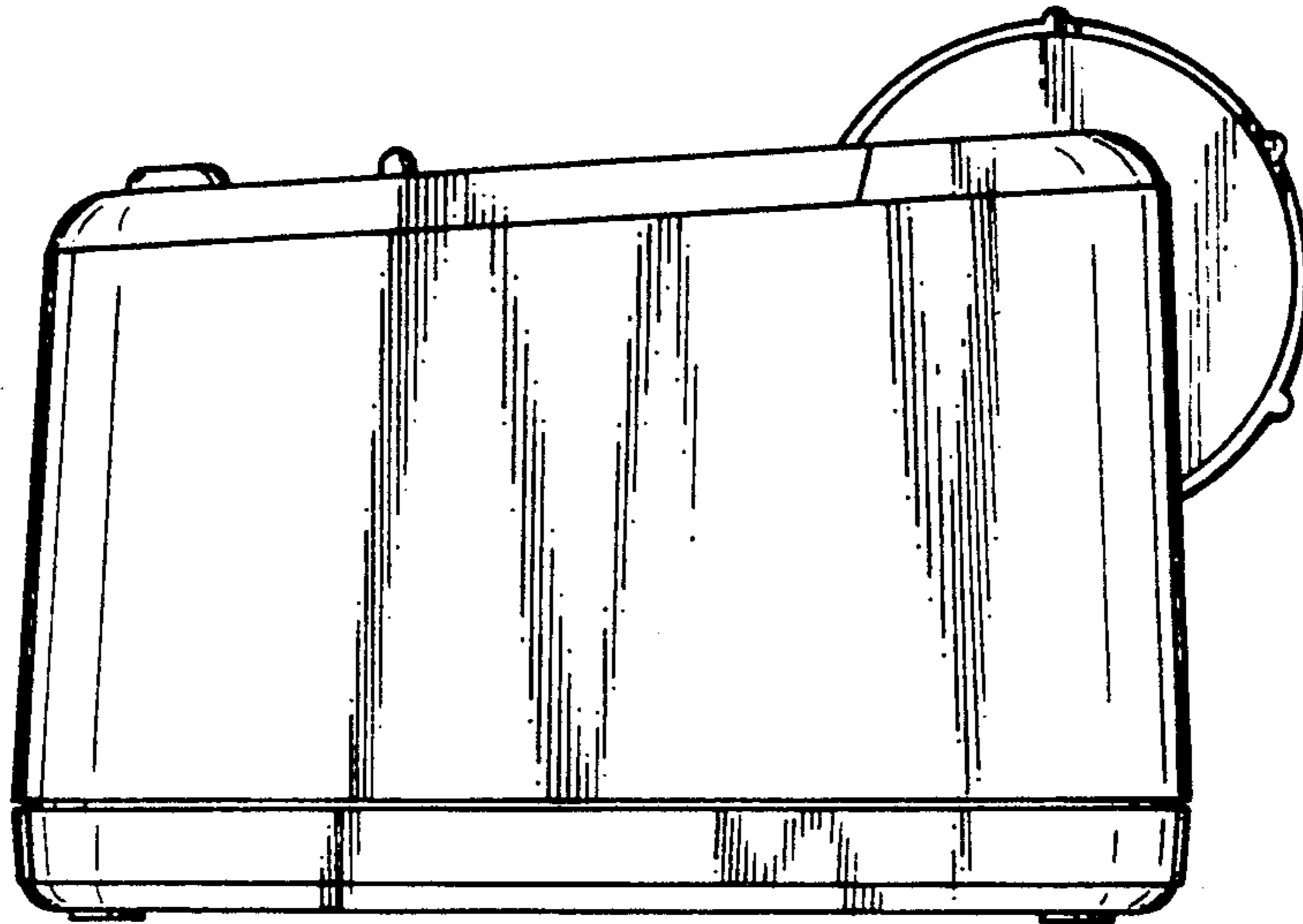


FIG. 5



**FIG. 6**



**FIG. 7**

