



US00D325387S

United States Patent [19]

[11] Patent Number: **Des. 325,387**

Rupe

[45] Date of Patent: **** Apr. 14, 1992**

[54] **SLURRY PUMP**

4,439,200 3/1984 Meyer et al. 417/900
5,055,007 10/1991 Geddings 417/393

[76] Inventor: **Robert E. Rupe**, 225 S. Bent Ave.,
San Marcos, Calif. 92069

Primary Examiner—A. Hugo Word
Assistant Examiner—R. Seifert
Attorney, Agent, or Firm—Henri J. A. Charmasson

[**] Term: **14 Years**

[21] Appl. No.: **576,925**

[57] **CLAIM**

[22] Filed: **Sep. 4, 1990**

The ornamental design for a slurry pump, as shown and described.

[52] U.S. Cl. **D15/7; D15/9**

[58] Field of Search **D15/7-9.2;**
D13/114; 417/900, 393-395, 535-536, 236-237

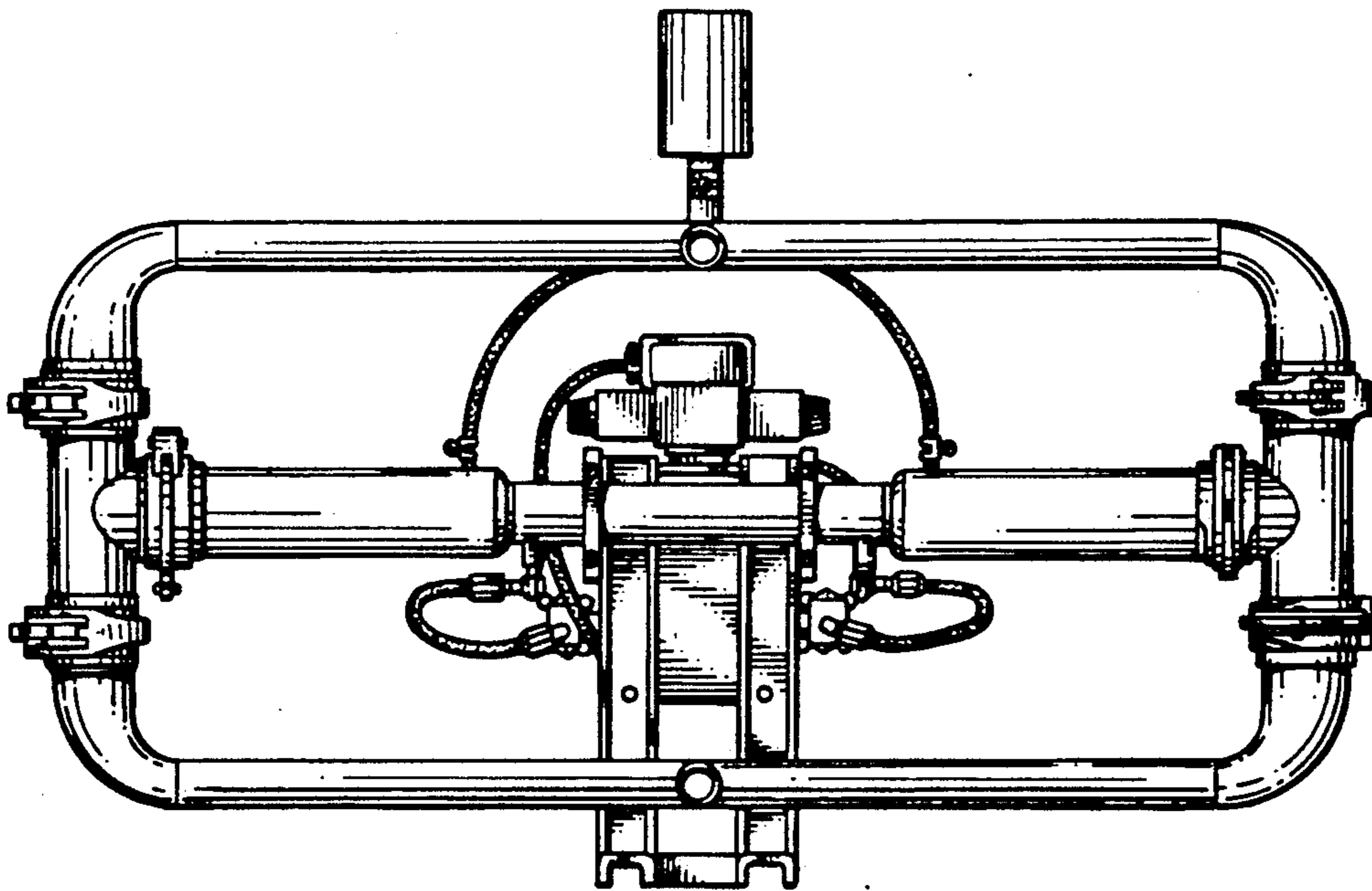
DESCRIPTION

[56] **References Cited**

FIG. 1 is a front elevational view of a slurry pump showing my new design;
FIG. 2 is a rear elevational view;
FIG. 3 is a bottom plan view;
FIG. 4 is a side elevational view; and,
FIG. 5 is a top plan view.

U.S. PATENT DOCUMENTS

D. 294,947 3/1988 Wilder D15/7
4,406,595 9/1983 Robertson et al. 417/395



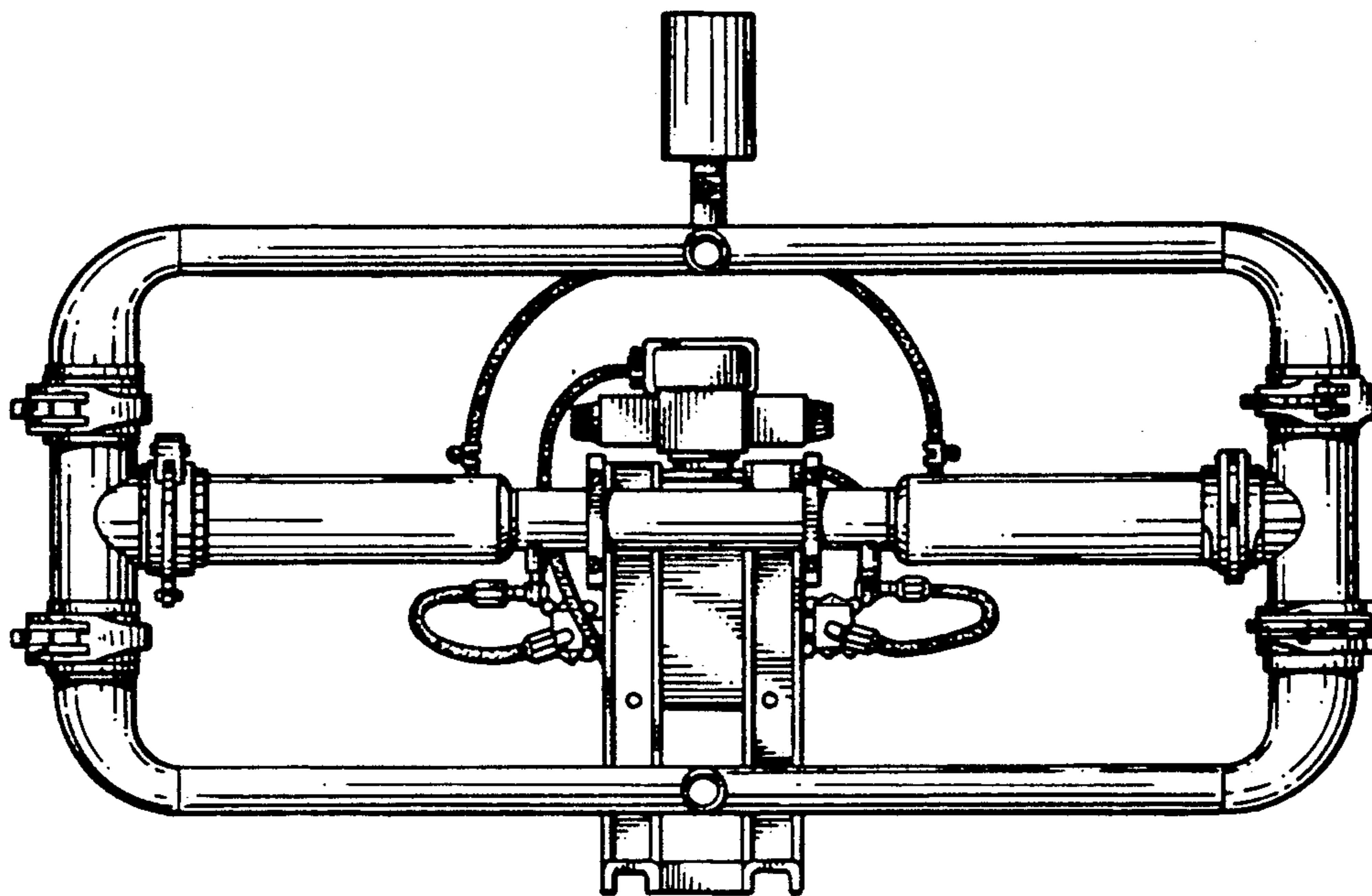


FIG. 1

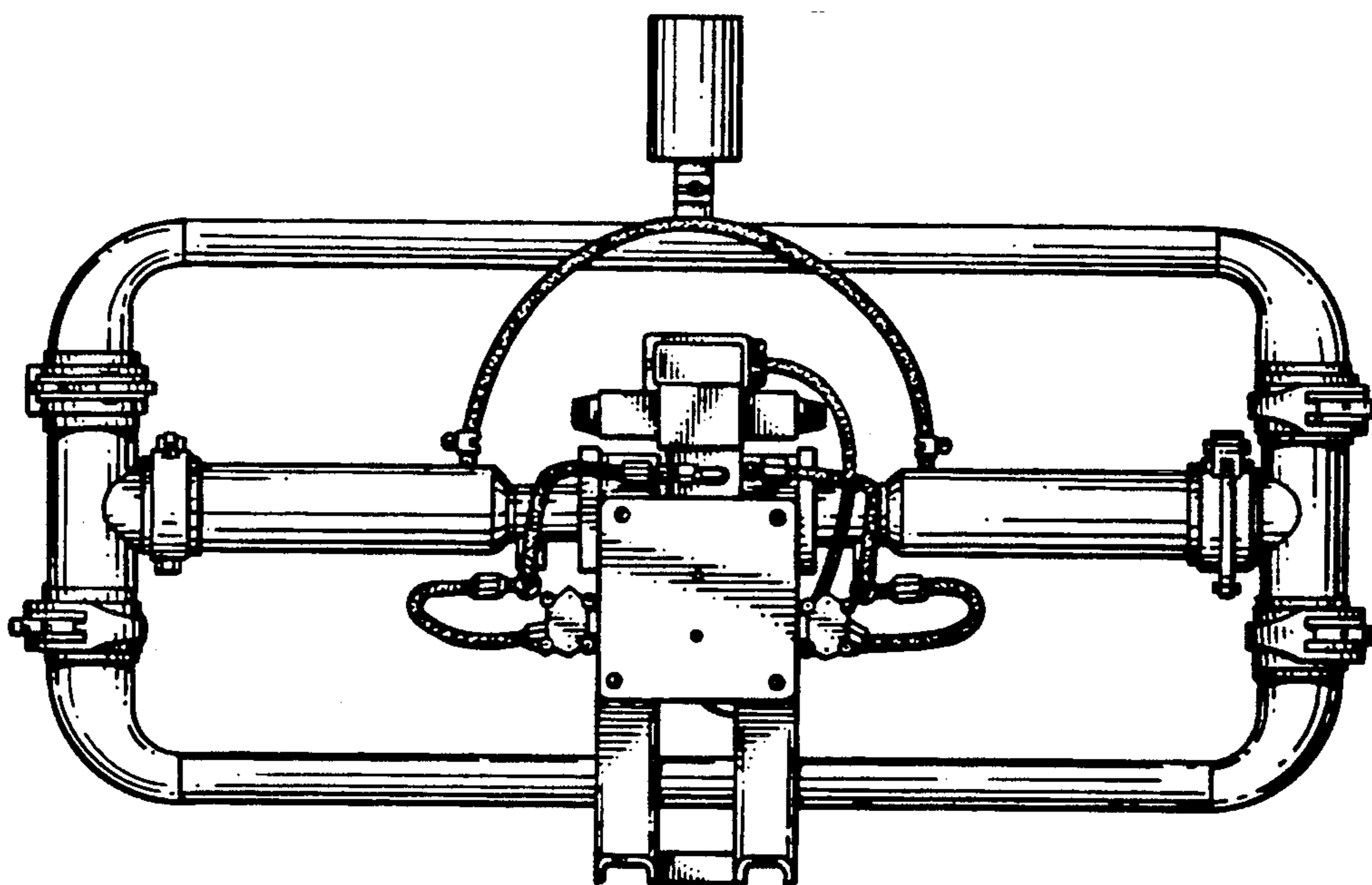


FIG. 2

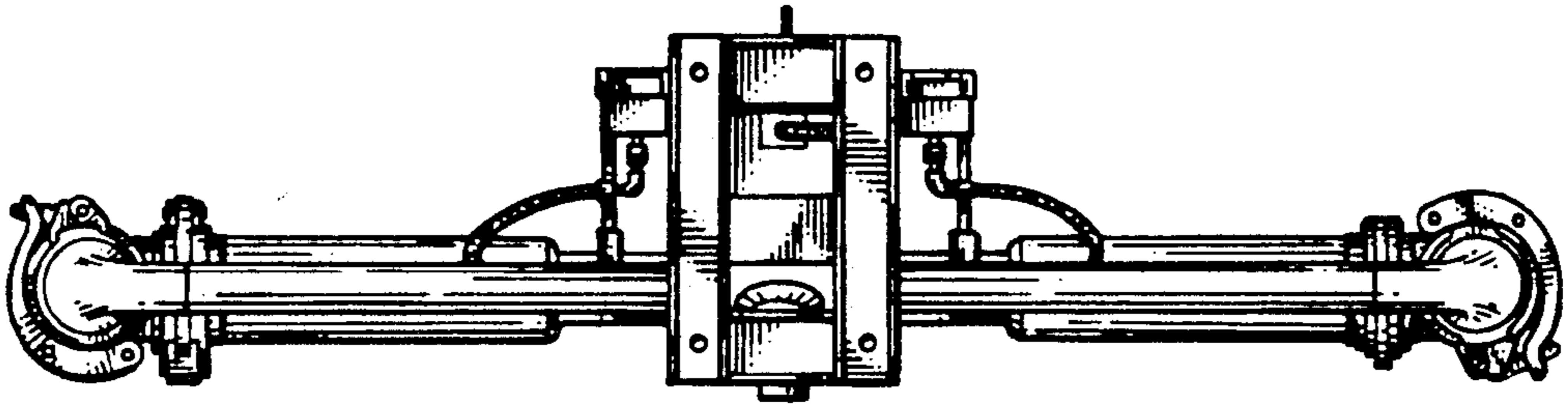


FIG. 3

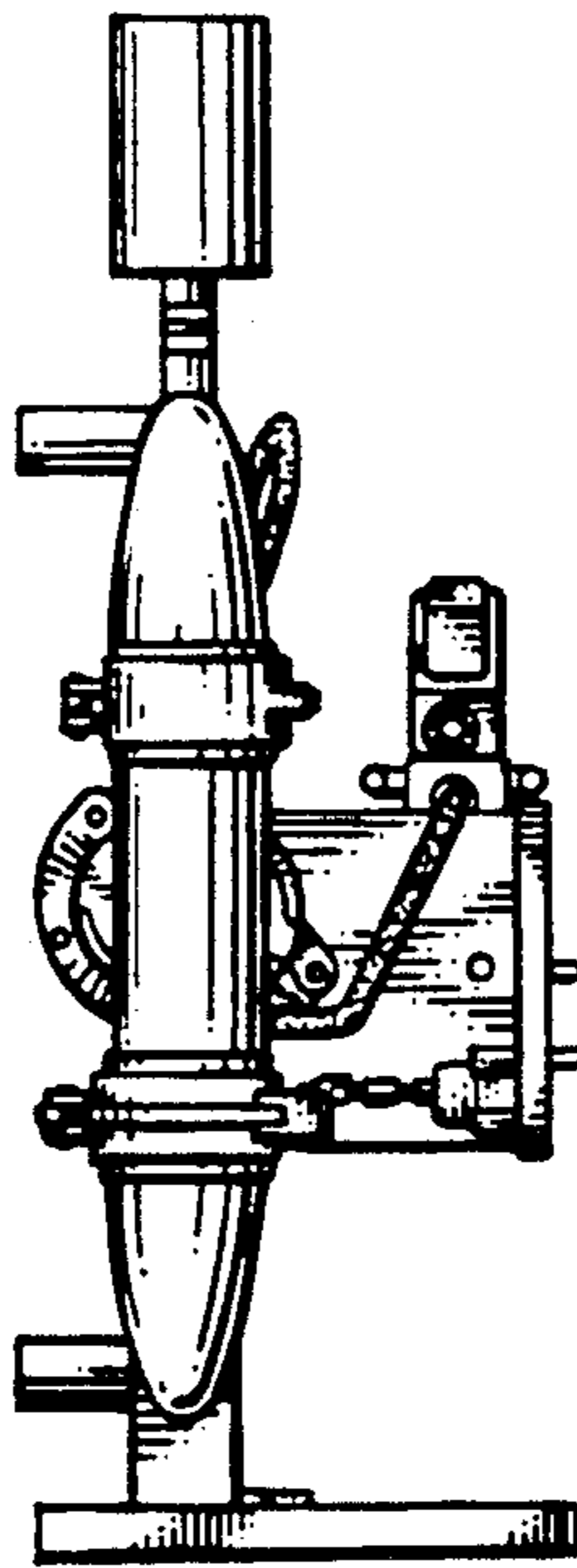


FIG. 4

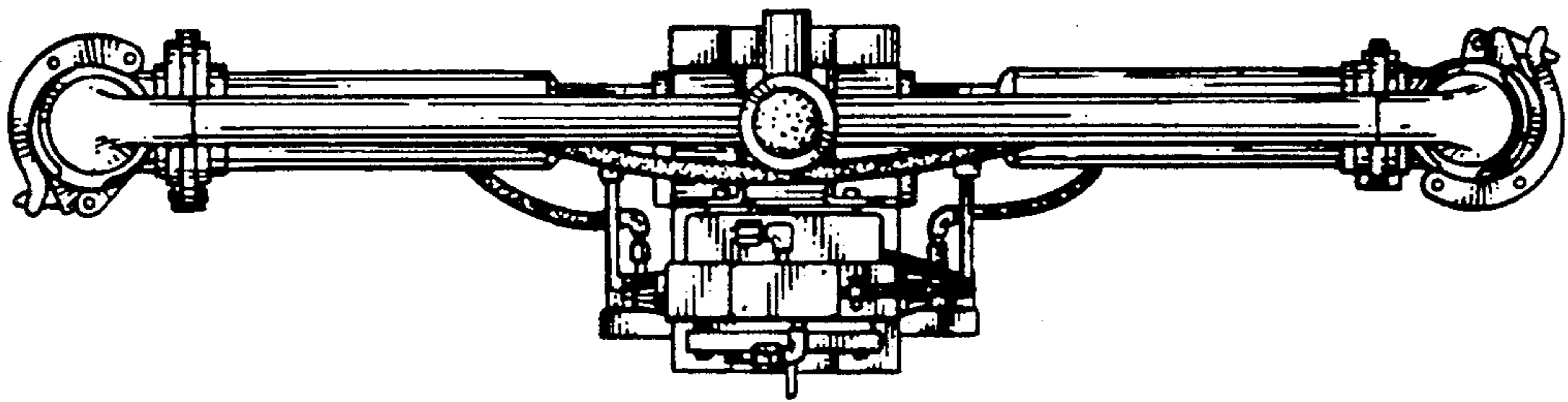


FIG. 5