



US00D325381S

United States Patent [19]

[11] Patent Number: **Des. 325,381**

Dennis et al.

[45] Date of Patent: **** Apr. 14, 1992**

[54] TELEPHONE INTERCOMMUNICATION SET

[75] Inventors: **Derek H. Dennis**, Helsingør, Denmark; **Jakob Jensen**, Mallorca, Spain

[73] Assignee: **Stentofon A.S.**, Trondheim, Norway

[**] Term: **14 Years**

[21] Appl. No.: **585,355**

[22] Filed: **Sep. 19, 1990**

[30] Foreign Application Priority Data

Mar. 19, 1990 [NO] Norway 900223

Mar. 19, 1990 [NO] Norway 900224

[52] U.S. Cl. **D14/151; D14/144; D14/252; 379/436**

[58] Field of Search **D14/151; 40/336, 339; 379/400, 446, 447**

[56] References Cited

U.S. PATENT DOCUMENTS

D. 270,155 8/1983 Shimizu D14/151
D. 294,694 3/1988 Stewart D14/151
D. 295,623 5/1988 Gilberton D14/151

D. 299,030 12/1988 Menn D14/151 X
D. 309,138 7/1990 Ortiz de Arri D14/151
D. 311,398 10/1990 Sugano D14/151
1,067,079 7/1913 Thomas 40/339 X
3,469,336 9/1969 Halperin 40/336
3,843,166 10/1974 Barone 40/336 X
4,233,766 11/1980 Doan 40/336
4,332,362 6/1982 Leopold 40/336 X

FOREIGN PATENT DOCUMENTS

102127 11/1916 United Kingdom 40/339

Primary Examiner—**Horace B. Fay, Jr.**
Attorney, Agent, or Firm—**Ladas & Parry**

[57] CLAIM

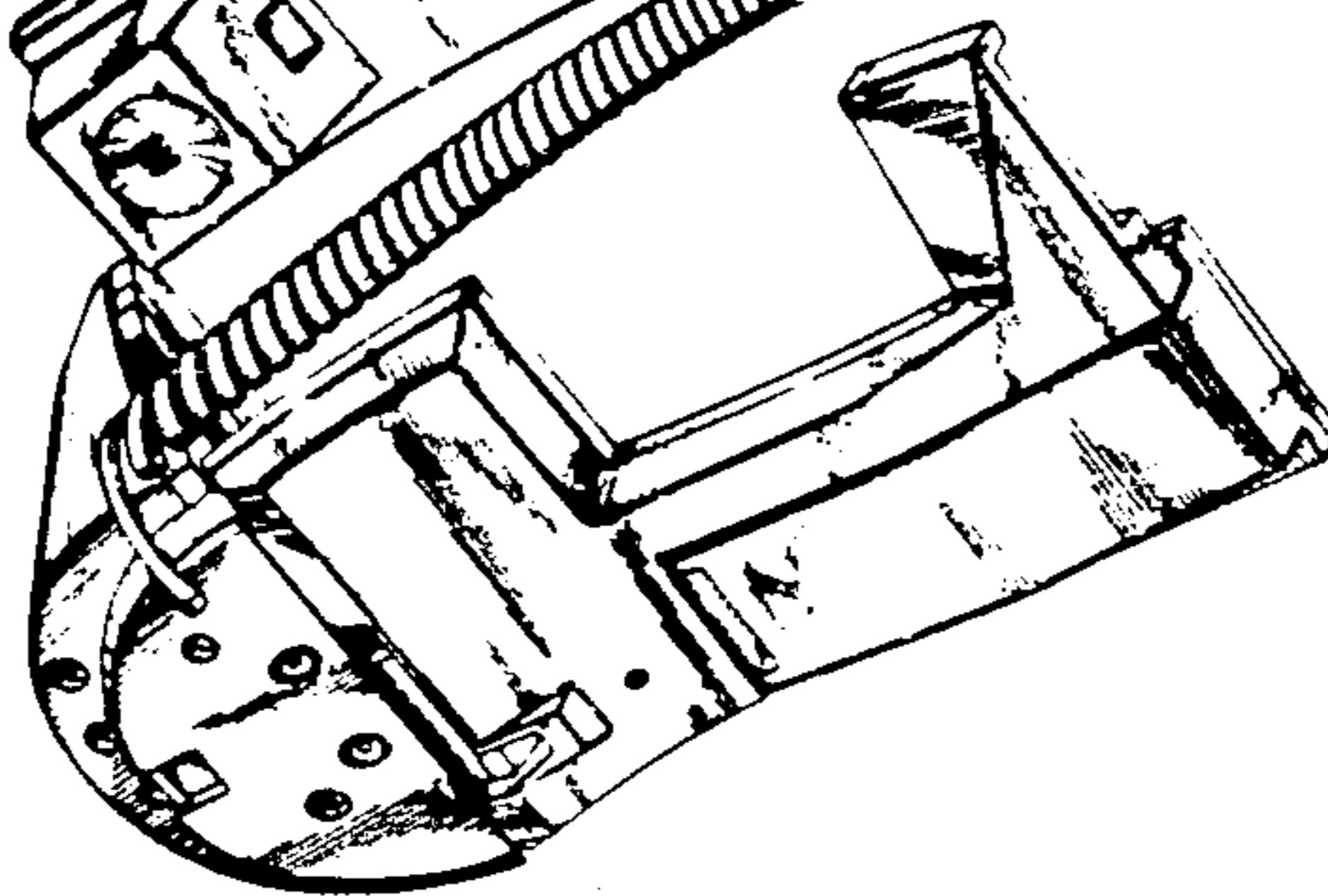
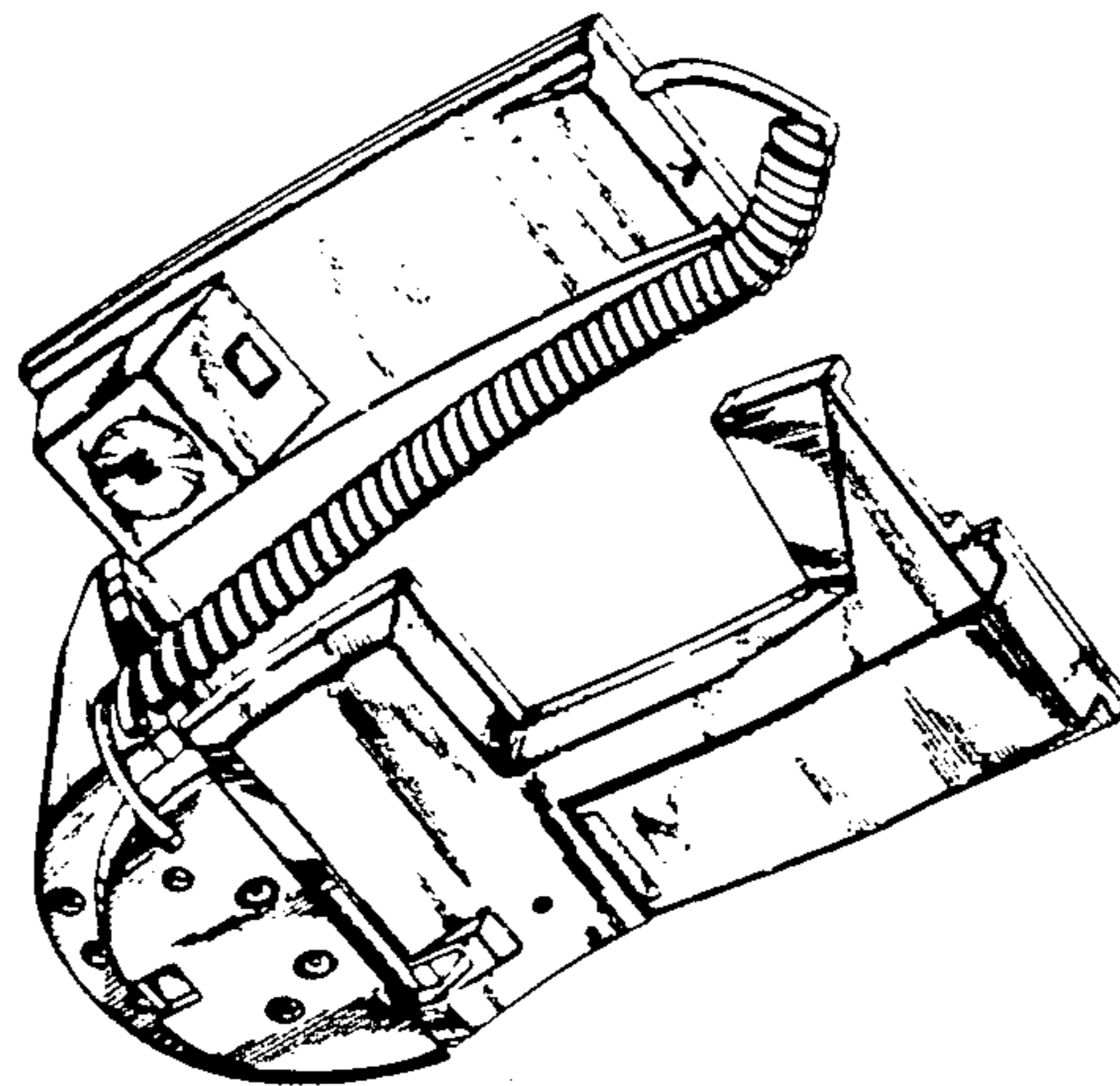
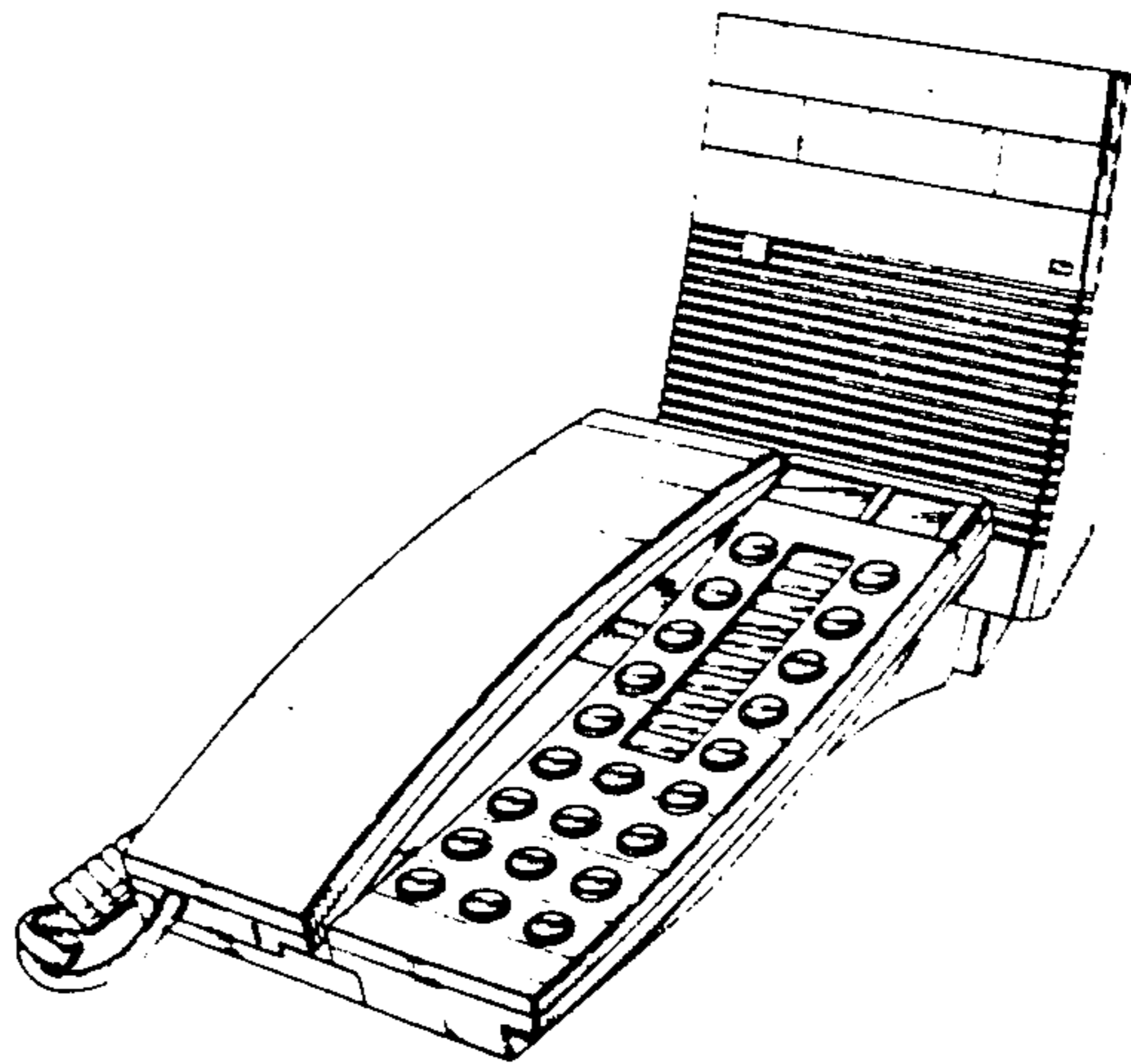
The ornamental design for telephone intercommunication set, as shown and described.

DESCRIPTION

FIG. 1 is a front, top, and right side perspective view of a telephone intercommunication set showing our new design;

FIG. 2 is a right side, partial top and rear perspective view thereof; and,

FIG. 3 is a bottom perspective view of the base, with a bottom perspective view of the handset spaced apart.



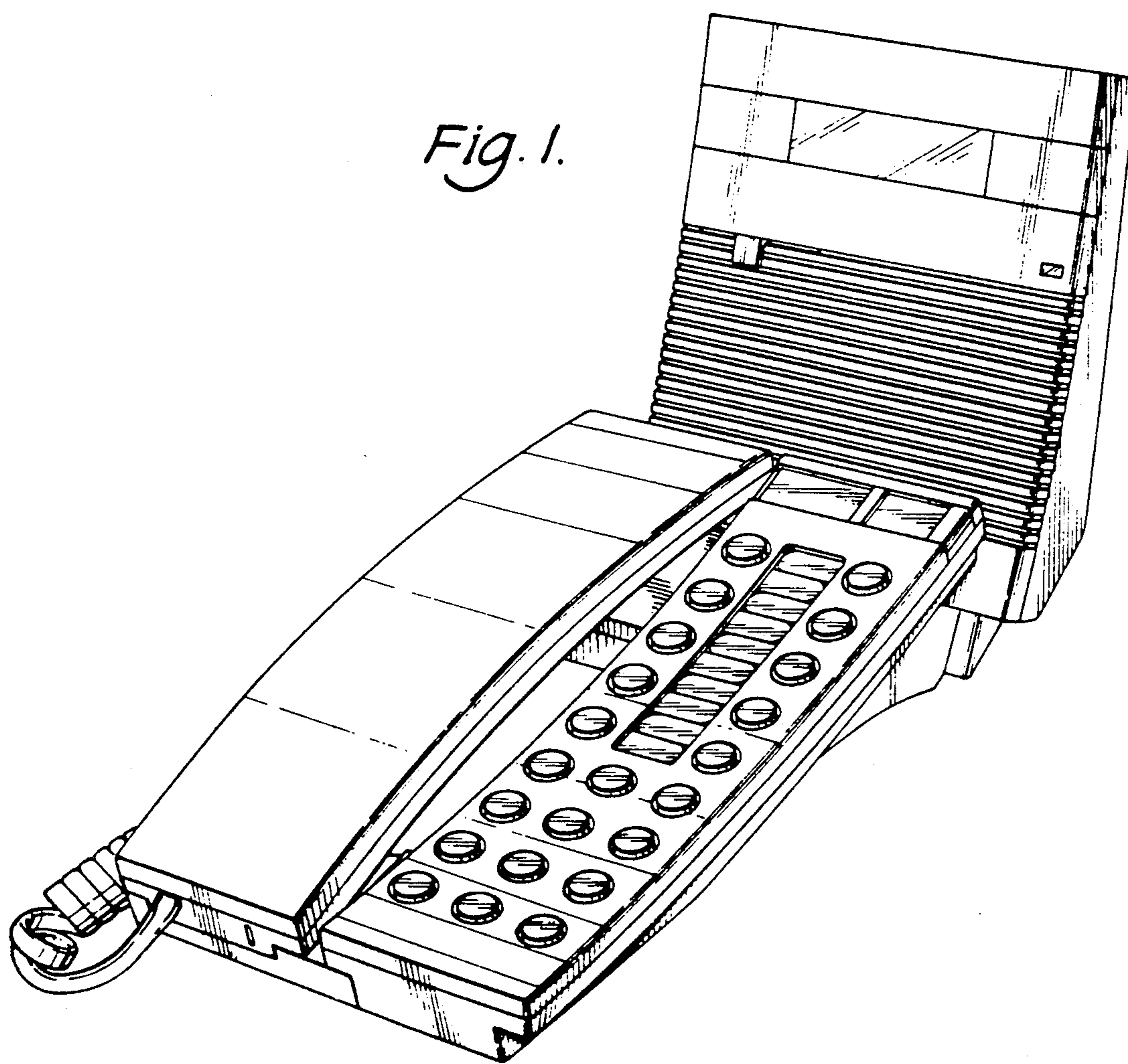


Fig. 2.

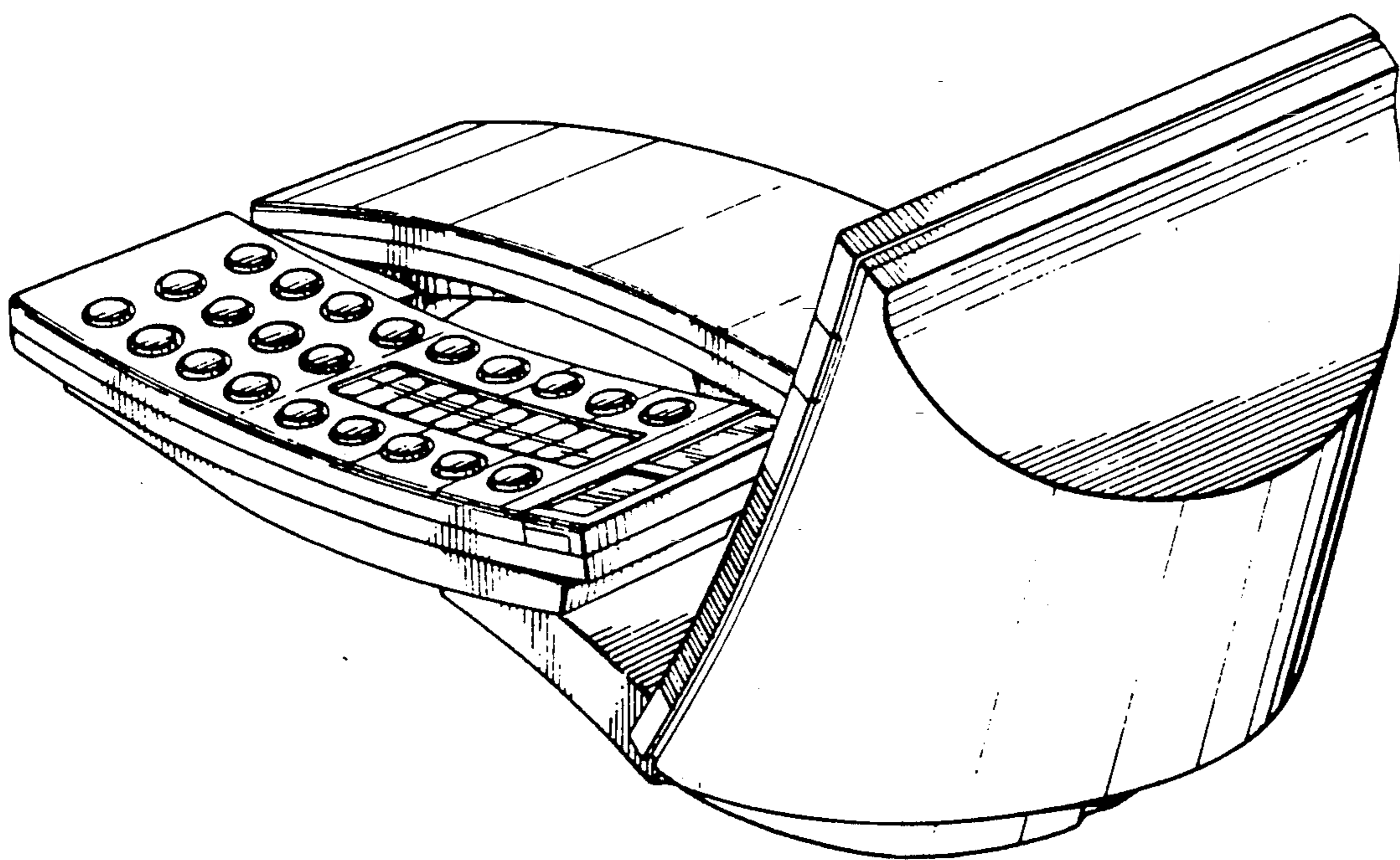


Fig. 3.

