



US00D325380S

# United States Patent [19]

[11] Patent Number: **Des. 325,380**

Rao et al.

[45] Date of Patent: **\*\* Apr. 14, 1992**

[54] **GROUND FAULT INTERRUPTER PLUG**

[75] Inventors: **Chepur P. Rao**, North Kingstown;  
**Juan J. Barrera**, Providence; **Victor V. Aromin**, West Warwick; **John J. Astley**, Barrington, all of R.I.

[73] Assignee: **Tower Manufacturing Corporation**, Providence, R.I.

[\*\*] Term: **14 Years**

[21] Appl. No.: **563,324**

[22] Filed: **Aug. 6, 1990**

[52] U.S. Cl. .... **D13/160; D13/142**

[58] Field of Search ..... **D13/138, 139, 142, 171; 335/18, 106; 361/42, 45, 117, 118, 394, 395, 399**

[56] **References Cited**

**U.S. PATENT DOCUMENTS**

D. 280,894 10/1985 Dickey ..... D13/141

D. 314,177 1/1991 Heiligenstein et al. .... D13/142  
D. 315,893 4/1991 Cheng ..... D13/142 X  
4,079,344 3/1978 Lauben et al. .... D13/139 X

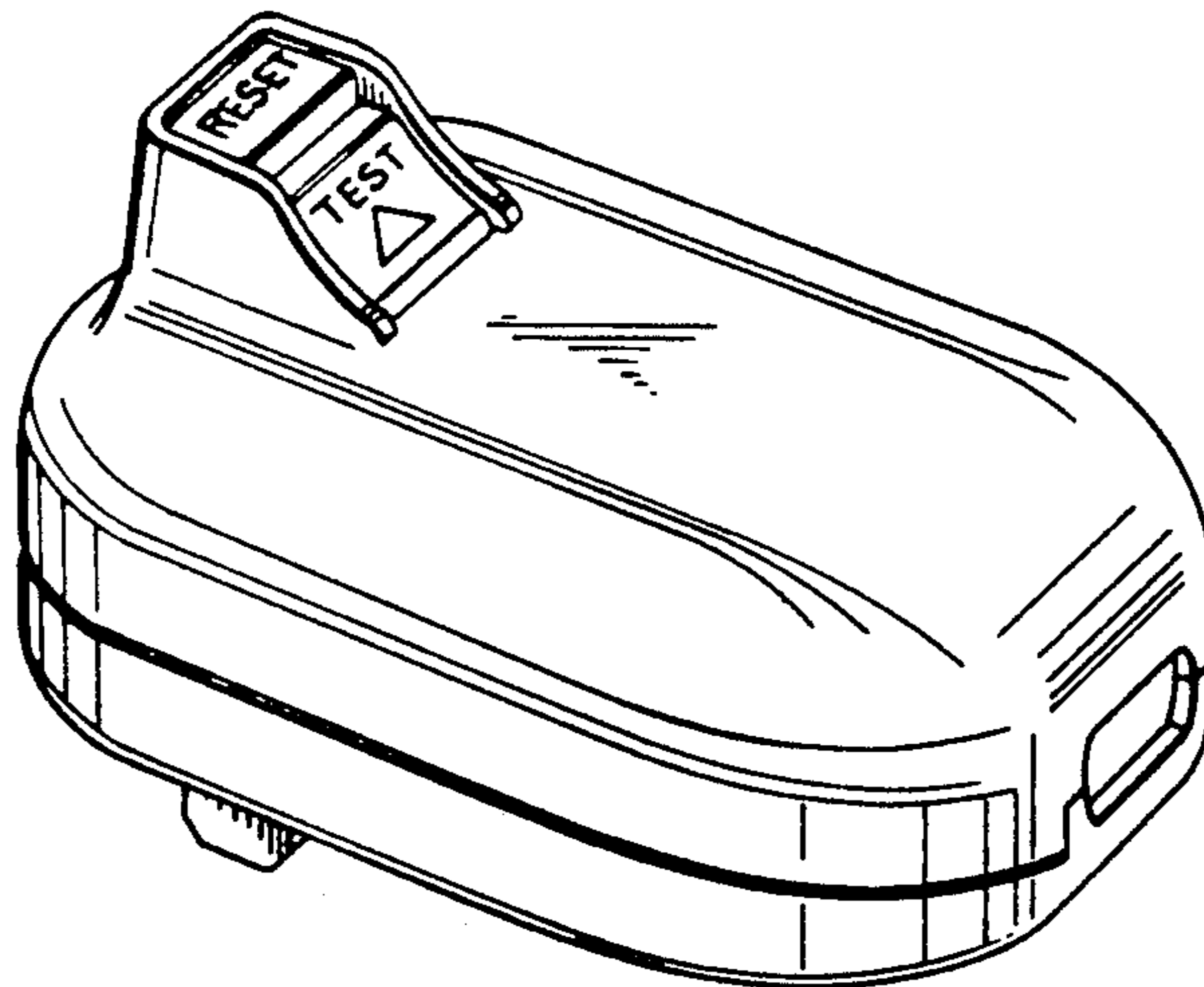
*Primary Examiner*—Susan J. Lucas  
*Assistant Examiner*—J. Sincavage  
*Attorney, Agent, or Firm*—Salter & Michaelson

[57] **CLAIM**

The ornamental design for a ground fault interrupter plug, as shown.

**DESCRIPTION**

FIG. 1 is a left side and upper right end perspective view of a ground fault interrupter plug showing our new design;  
FIG. 2 is a left end elevational view thereof;  
FIG. 3 is a right side elevational view thereof;  
FIG. 4 is a left side elevational view thereof;  
FIG. 5 is a top plan view thereof;  
FIG. 6 is a right end elevational view thereof; and,  
FIG. 7 is a bottom plan view thereof.



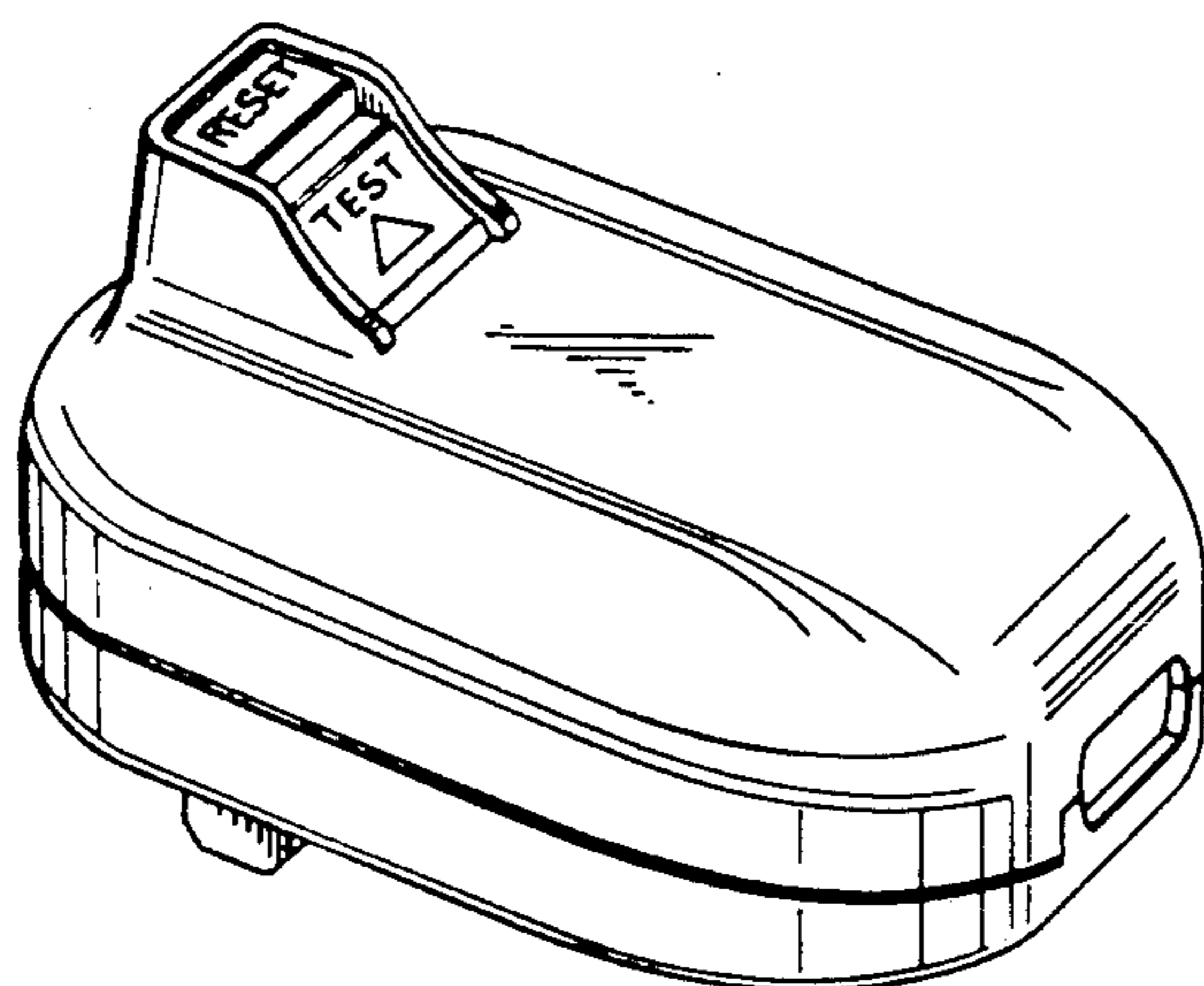


FIG. 1

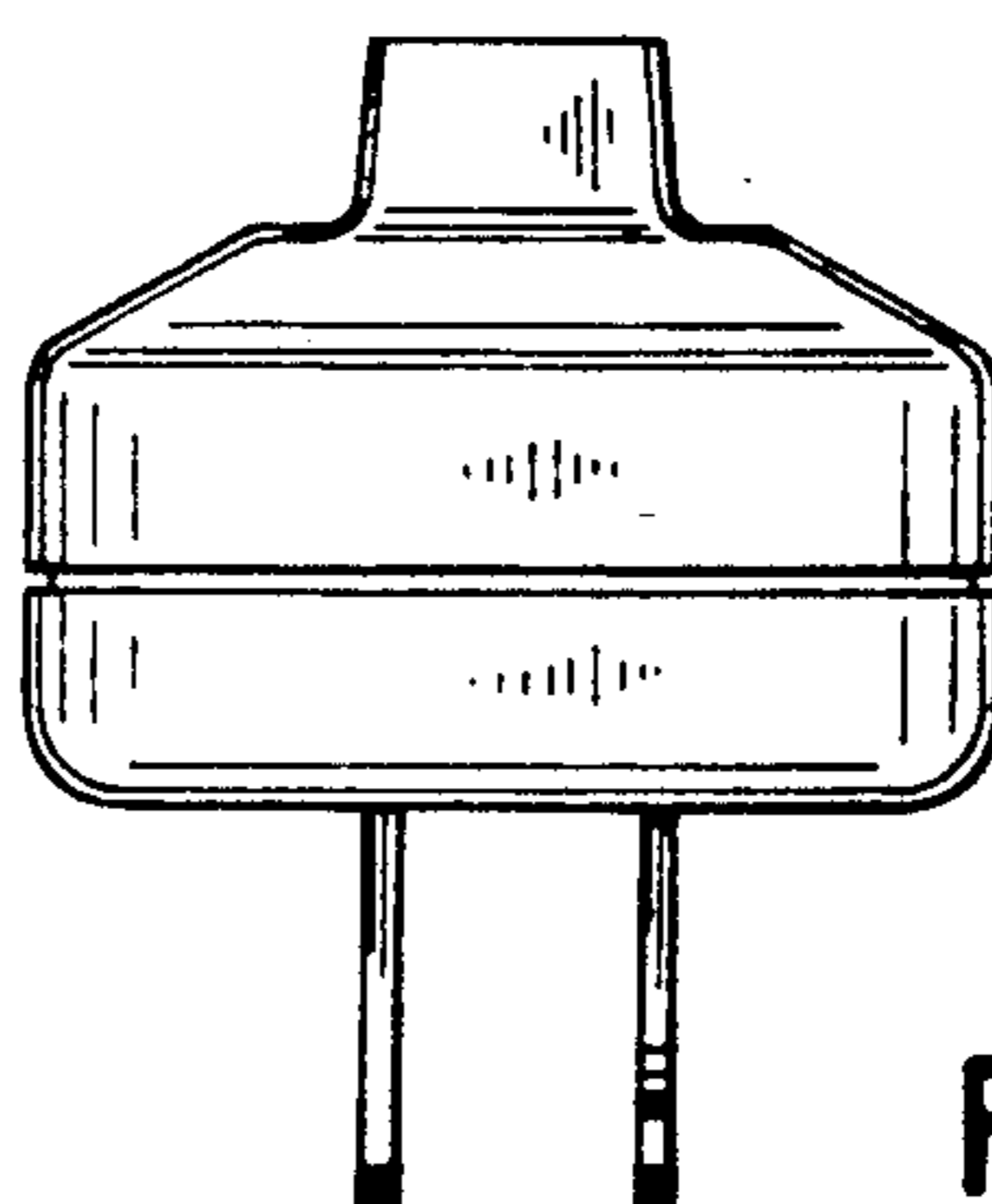


FIG. 2

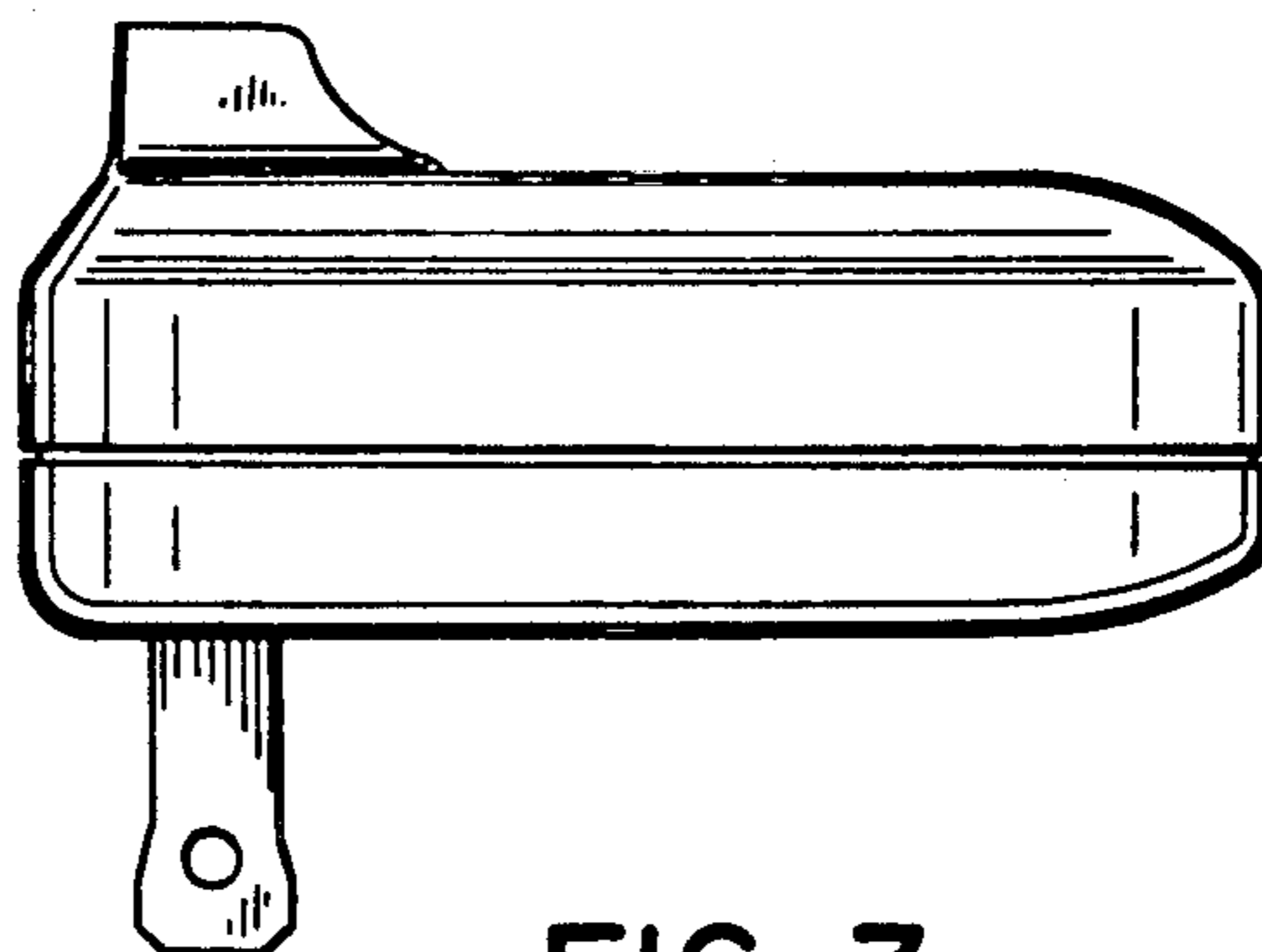


FIG. 3

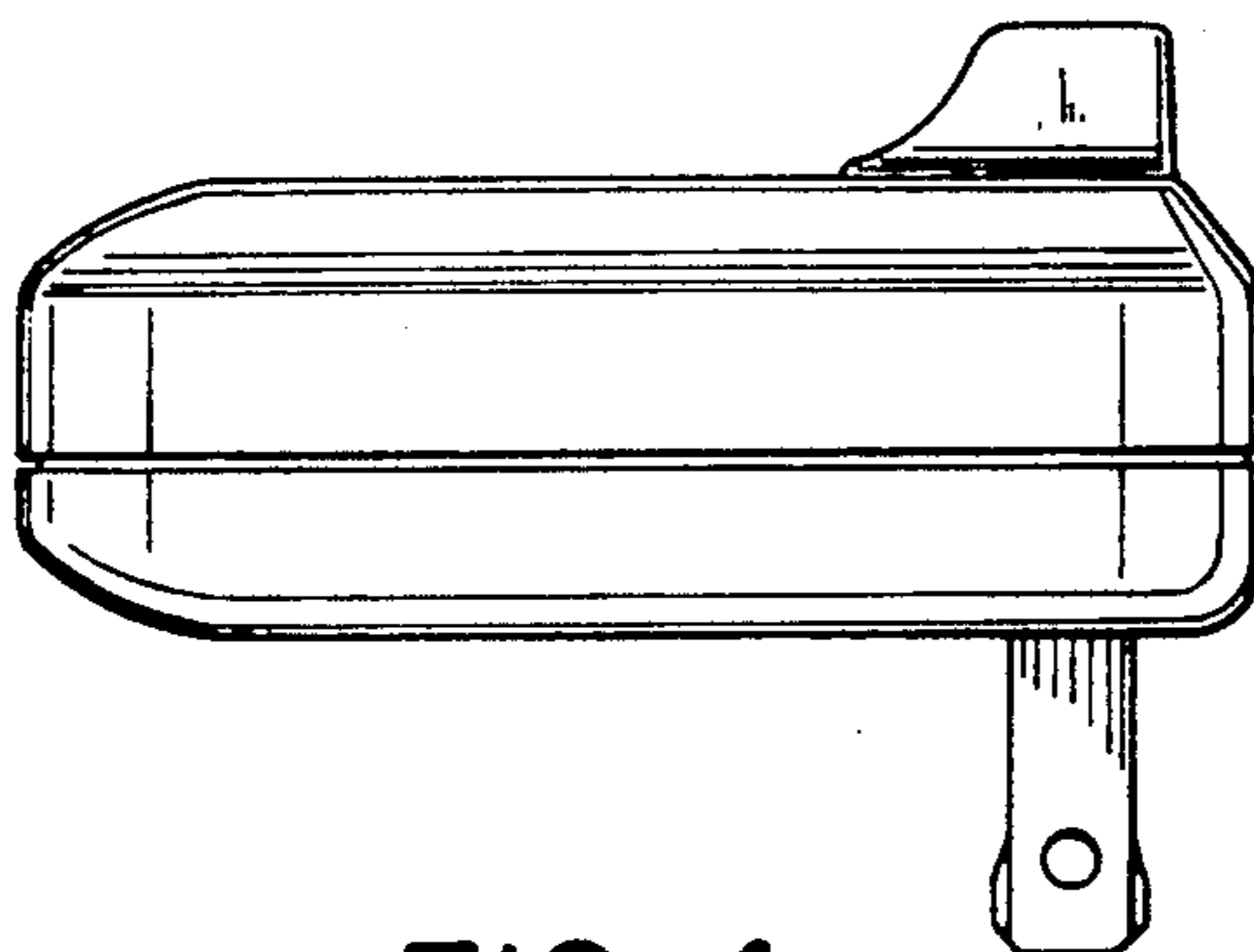


FIG. 4

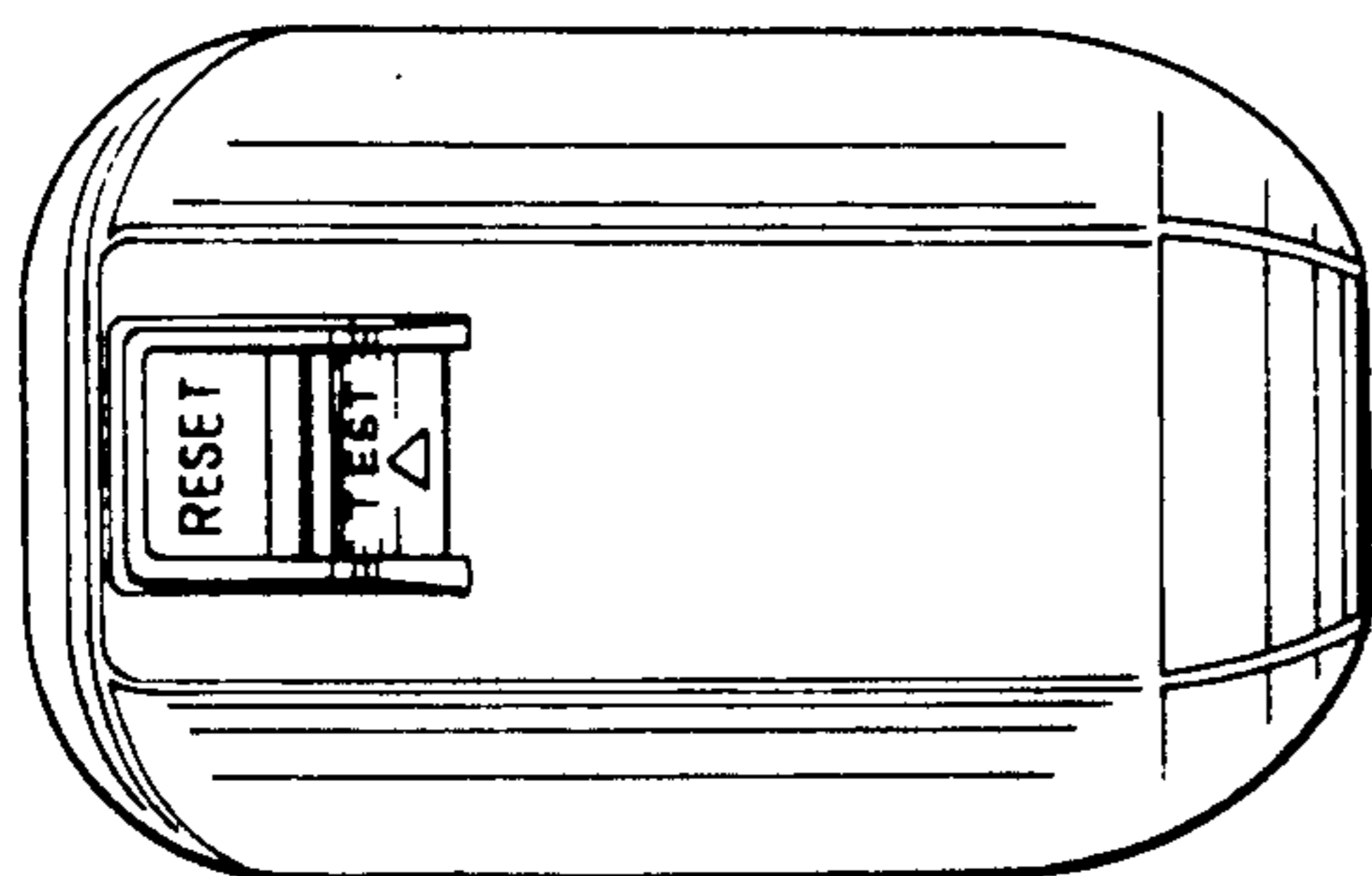


FIG. 5

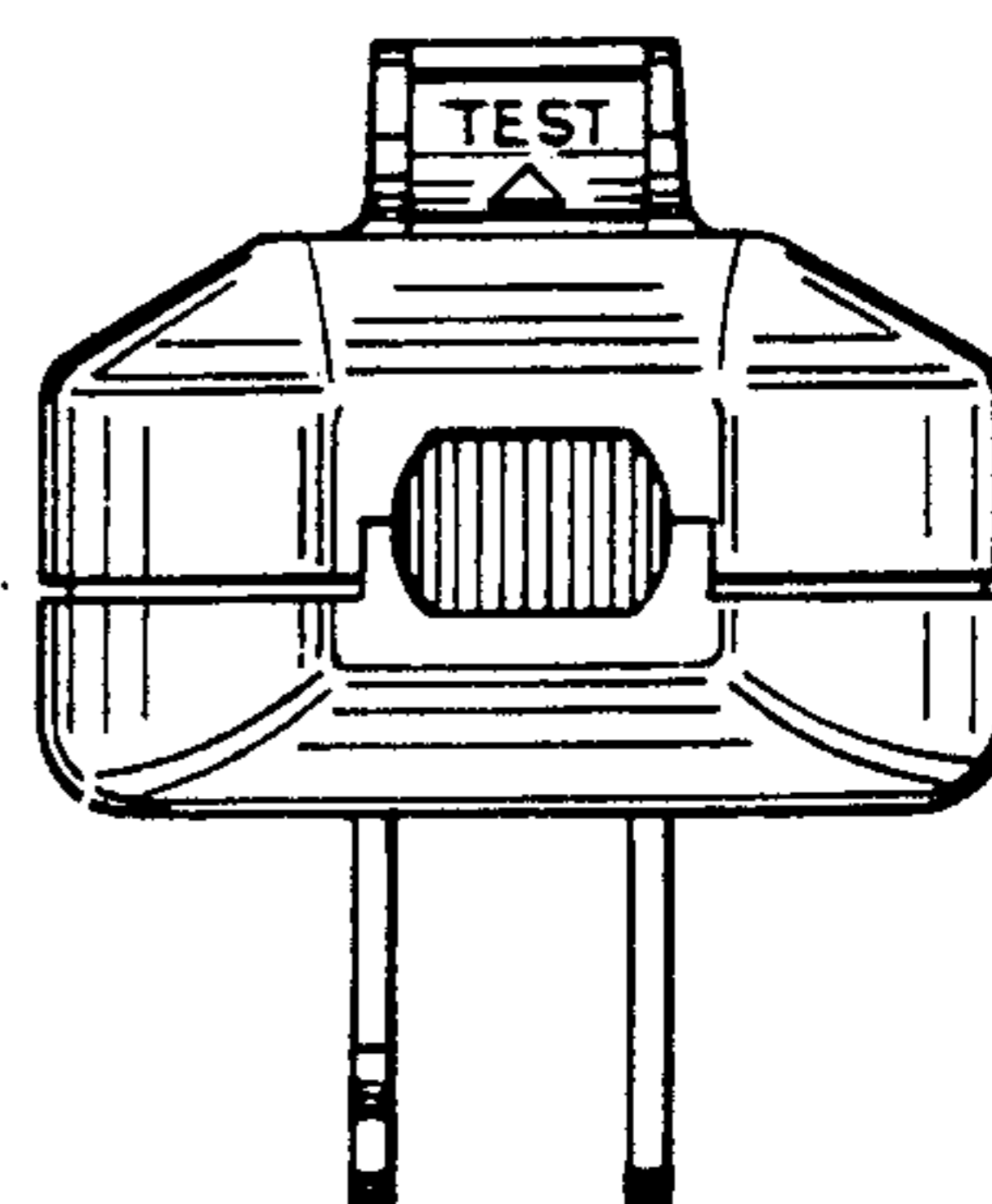


FIG. 6

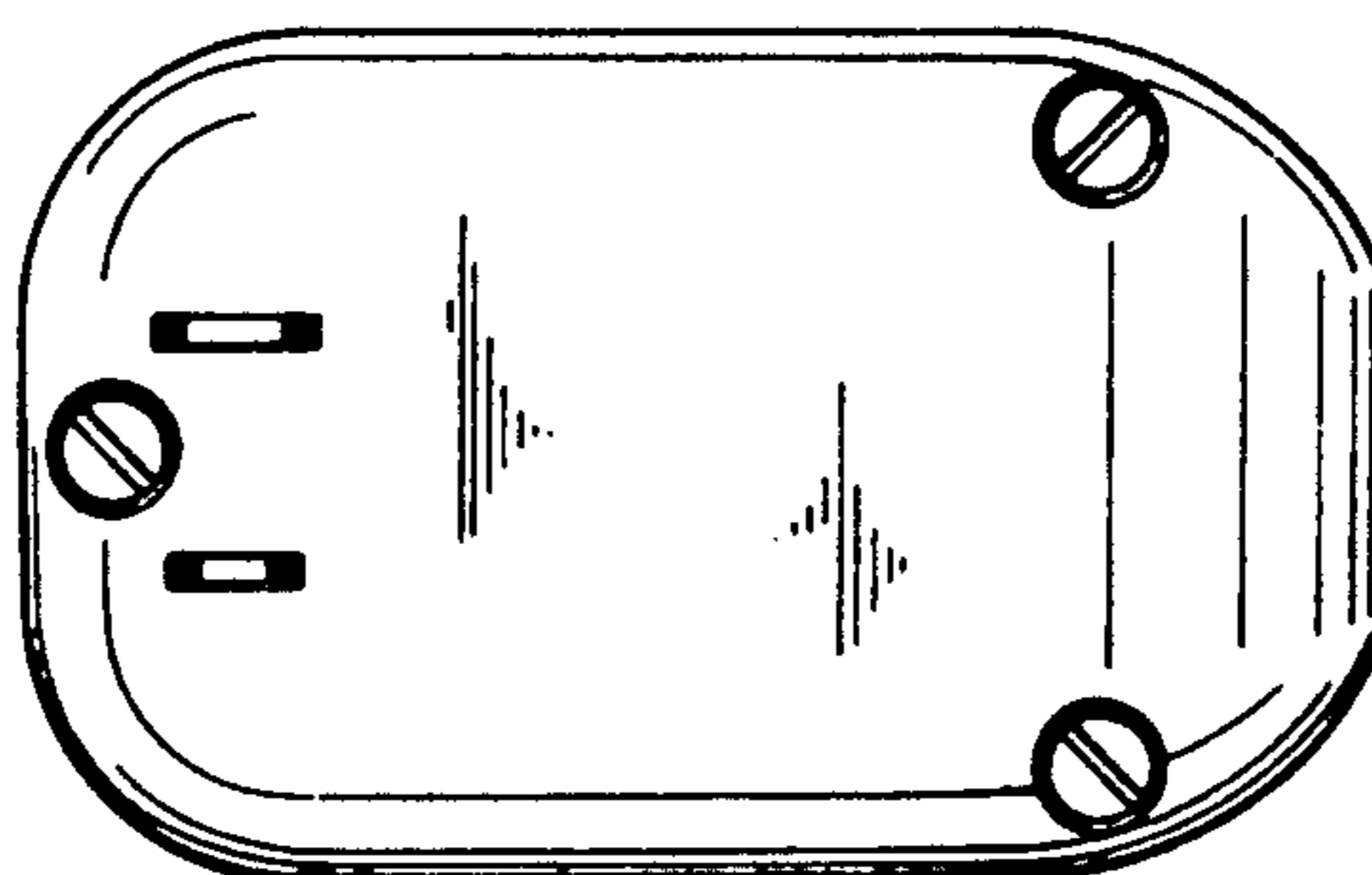


FIG. 7