



US00D325379S

# United States Patent [19]

[11] Patent Number: **Des. 325,379**

**Dow**

[45] Date of Patent: **\*\* Apr. 14, 1992**

## [54] TAPE DRIVE

[75] Inventor: **James C. Dow**, Fort Collins, Colo.

[73] Assignee: **Hewlett-Packard Company**, Palo Alto, Calif.

[\*\*] Term: **14 Years**

[21] Appl. No.: **742,265**

[22] Filed: **Aug. 7, 1991**

## FOREIGN PATENT DOCUMENTS

207584 2/1960 Netherlands ..... 360/90

## OTHER PUBLICATIONS

Audio Engineering, Sep. 1950, p. 39—Tape Model 1401 (Concertone).

Computer Products, Oct. 1985, p. 8—Qualstar's 9-Track Tape Drive.

*Primary Examiner*—Wallace R. Burke

*Assistant Examiner*—Freda S. Nunn

## [57] CLAIM

The ornamental design for a tape drive, as shown and described.

## Related U.S. Application Data

[63] Continuation of Ser. No. 140,285, Dec. 31, 1987, abandoned.

[52] U.S. Cl. .... **D14/108**

[58] Field of Search ..... D14/100, 101, 102, 103, D14/105, 107, 108, 109; D13/184, 199; 360/90, 91, 93, 96.1, 96.2, 96.4; 361/331, 380, 390

## DESCRIPTION

FIG. 1 is a top, front, right side perspective view of a tape drive showing my new design;

FIG. 2 is a front elevational view thereof on an enlarged scale;

FIG. 3 is a rear elevational view thereof on an enlarged scale;

FIG. 4 is a right side elevational view thereof on an enlarged scale;

FIG. 5 is a left side elevational view thereof on an enlarged scale;

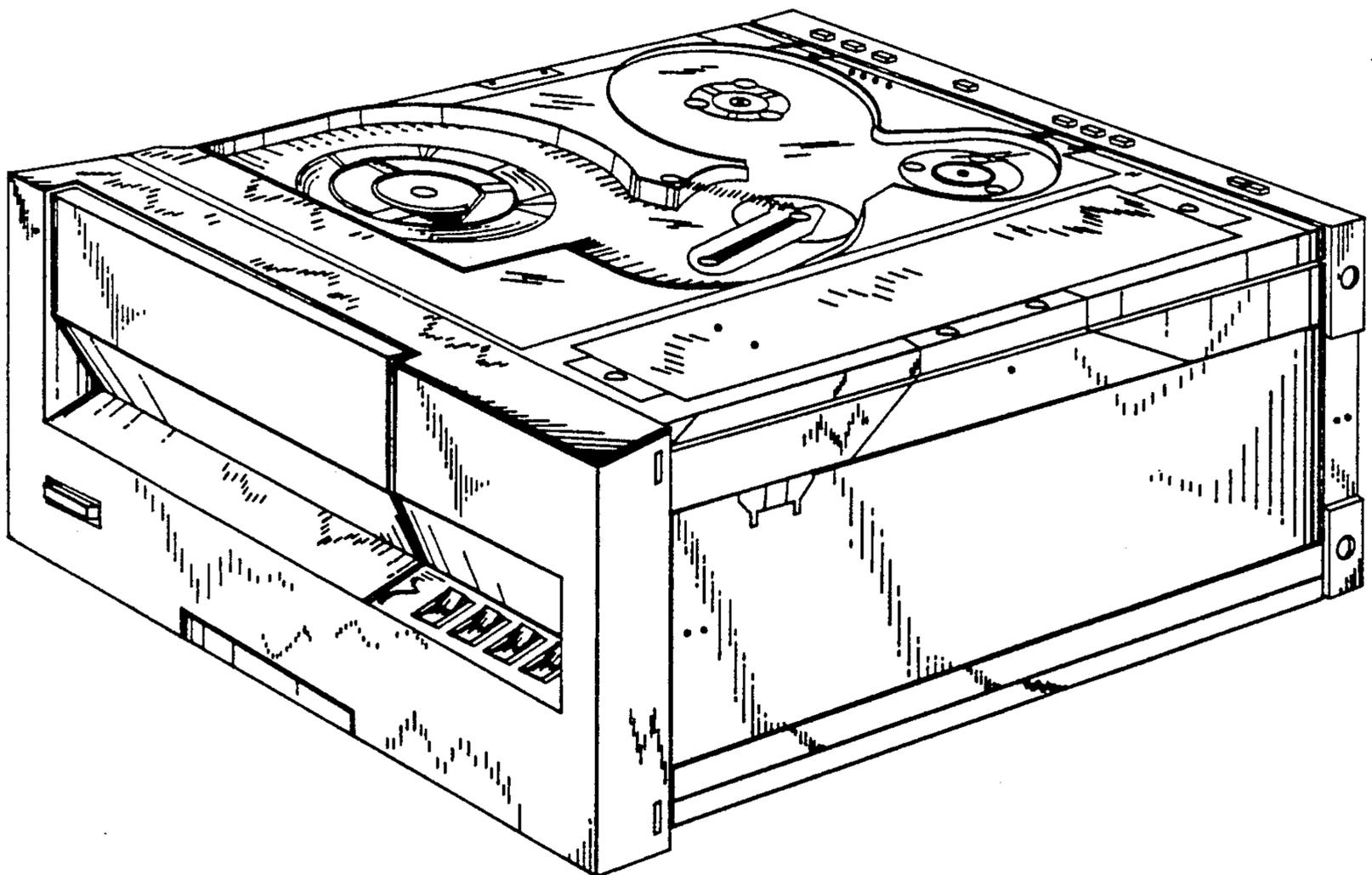
FIG. 6 is a bottom plan view thereof on an enlarged scale; and,

FIG. 7 is a top plan view thereof on an enlarged scale.

## [56] References Cited

### U.S. PATENT DOCUMENTS

- |            |         |                        |           |
|------------|---------|------------------------|-----------|
| D. 207,058 | 2/1967  | Rayfield et al. ....   | D14/108   |
| D. 222,475 | 10/1971 | Blesch et al. ....     | D14/108 X |
| D. 270,055 | 8/1983  | Irwin et al. ....      | D14/108 X |
| D. 281,320 | 11/1985 | Knott ....             | D14/108   |
| 2,954,911  | 10/1960 | Baumeister et al. .... | 360/90    |



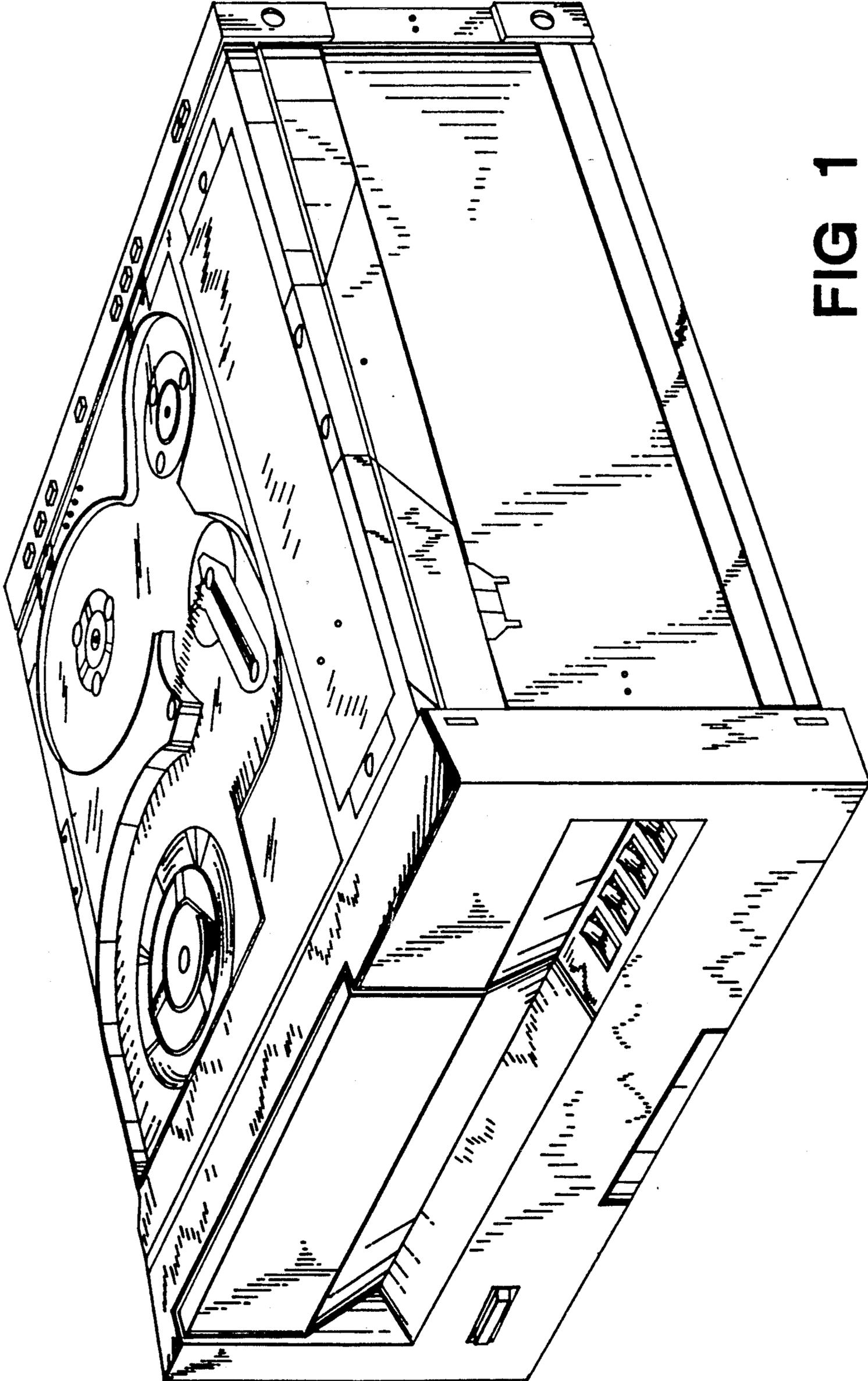


FIG 1

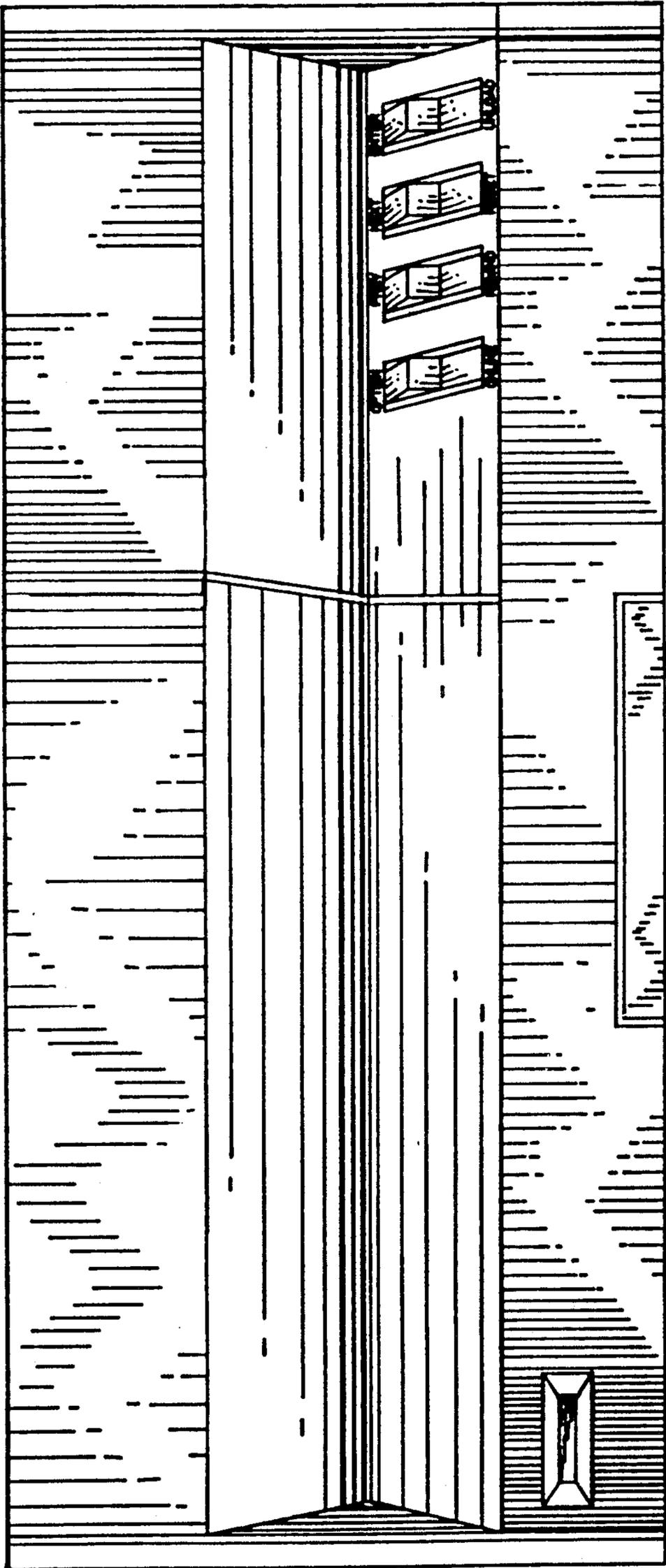


FIG 2

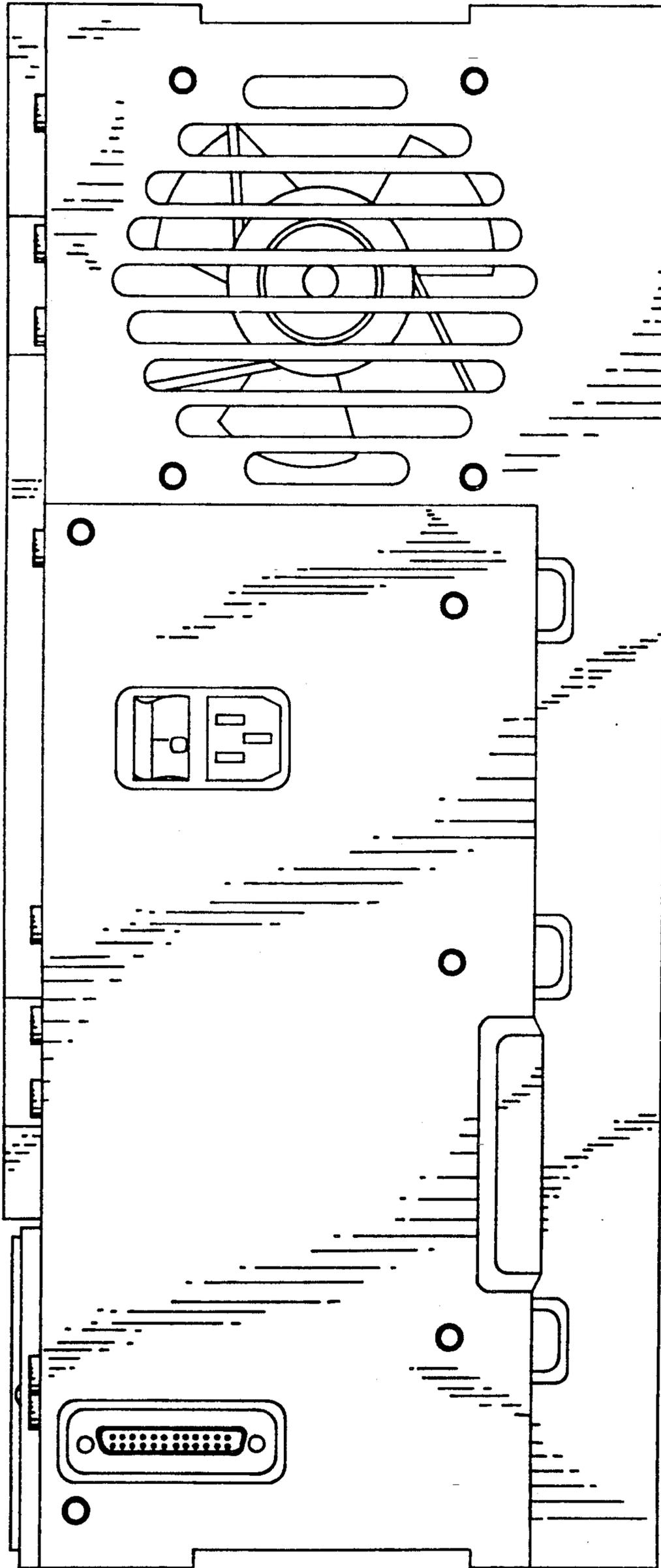


FIG 3

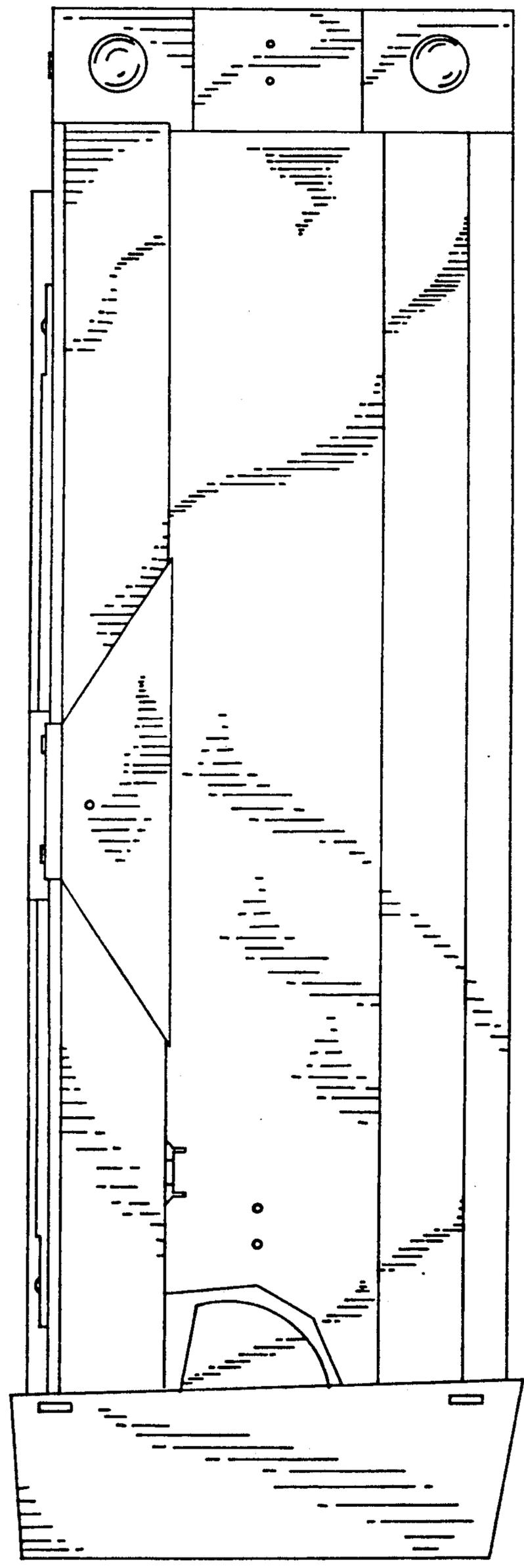


FIG 4

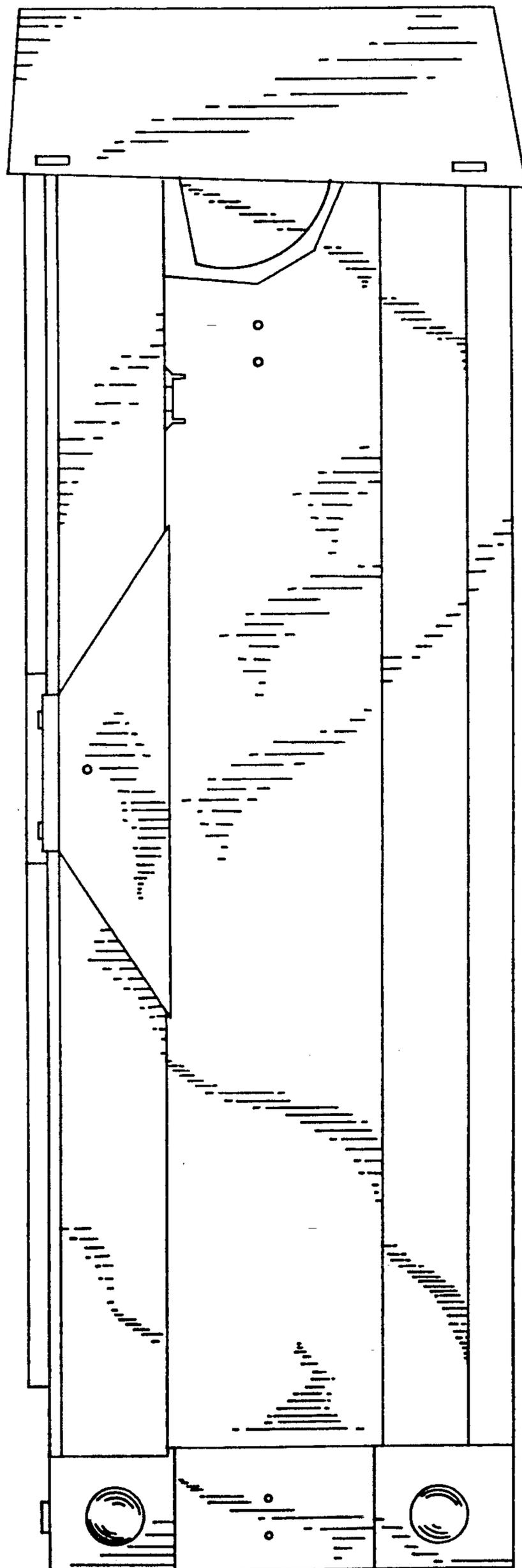


FIG 5

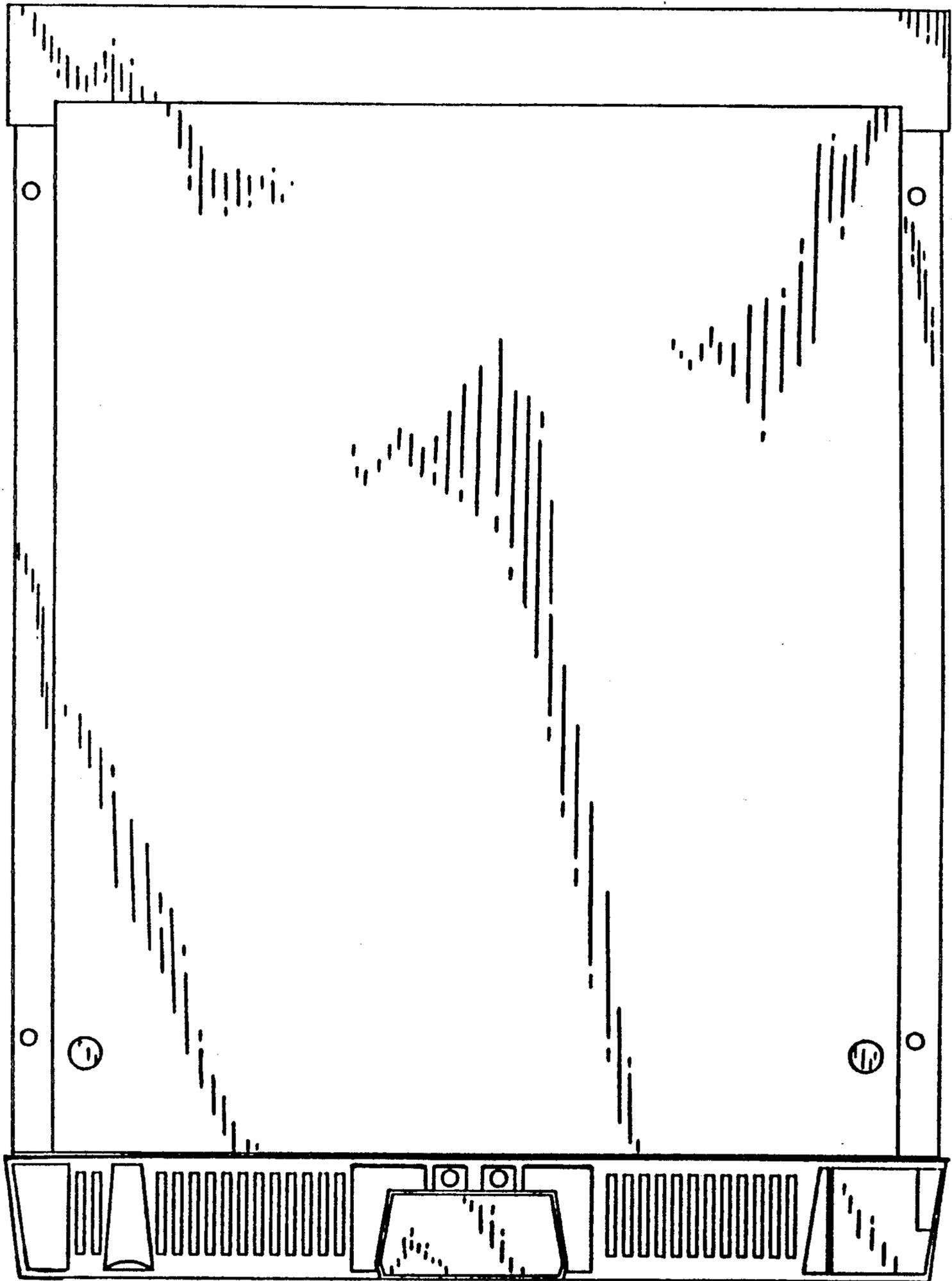


FIG 6

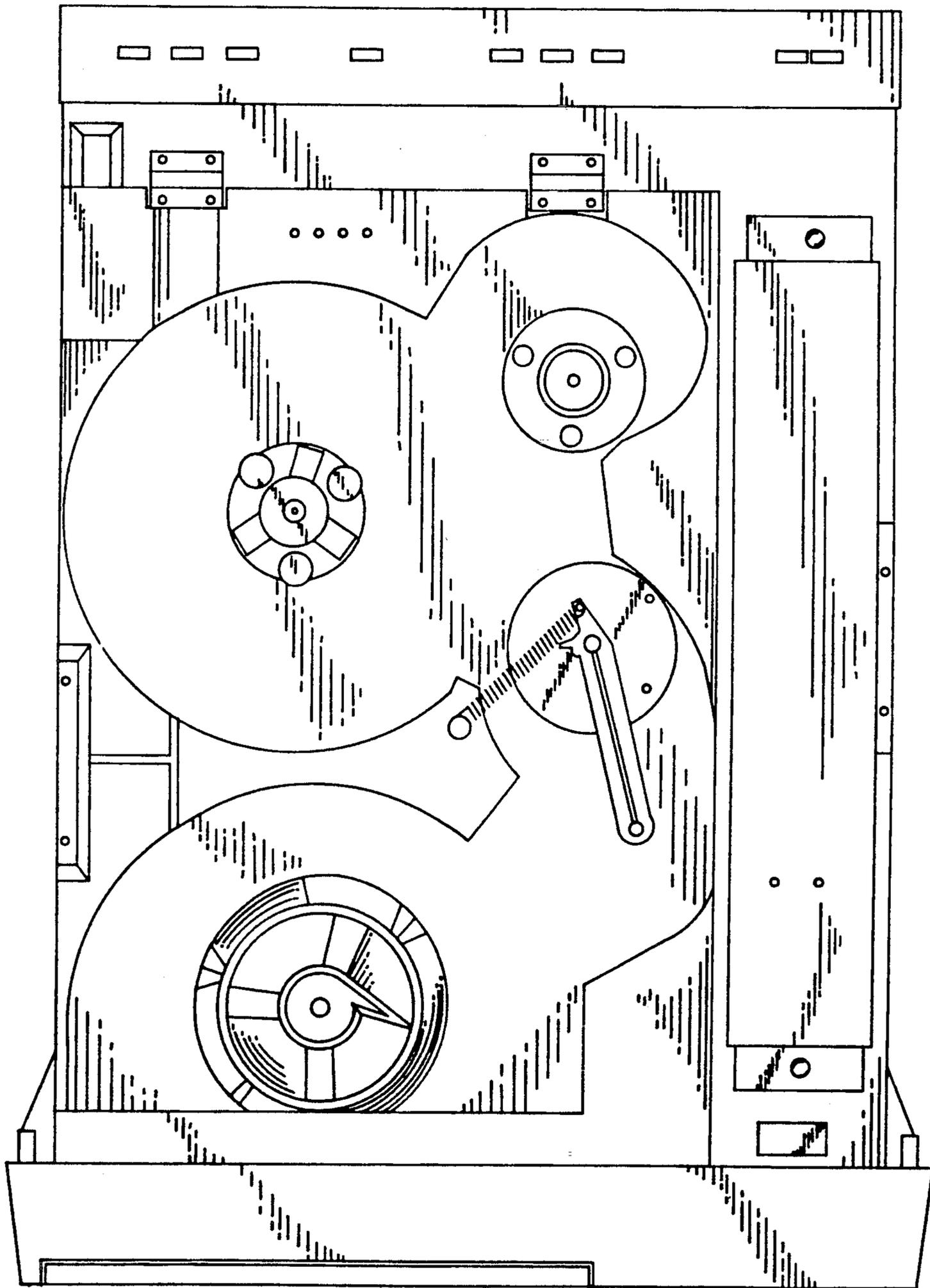


FIG 7