



US00D325377S

United States Patent [19]

[11] Patent Number: **Des. 325,377**

Krasser

[45] Date of Patent: **** Apr. 14, 1992**

[54] **OVERLOAD SWITCH**

3,307,122 2/1967 Ellenberger 335/17
3,443,043 5/1969 Schmid-Zeller et al. 335/205

[75] Inventor: **Fritz Krasser, Altdorf, Fed. Rep. of Germany**

OTHER PUBLICATIONS

Push Button Switch 0725-0004 on p. 23 of McGill Specialty Catalog.

[73] Assignee: **Ellenberger & Poensgen GmbH, Altdorf, Fed. Rep. of Germany**

Primary Examiner—Susan J. Lucas
Assistant Examiner—J. Sincavage
Attorney, Agent, or Firm—Spencer, Frank & Schneider

[**] Term: **14 Years**

[21] Appl. No.: **479,592**

[57] **CLAIM**

The ornamental design for an overload switch, as shown.

[22] Filed: **Feb. 13, 1990**

[30] **Foreign Application Priority Data**

Aug. 16, 1989 [DE] Fed. Rep. of Germany M8905748.1

Sep. 20, 1989 [WO] World Int. Prop. O. DM/014606

[52] U.S. Cl. **D13/160; D13/171**

[58] Field of Search **D13/158, 160, 171; 200/293, 302.2, 341; 335/17, 205; 337/36, 112**

DESCRIPTION

FIG. 1 is a front and upper left perspective view of an overload switch showing my new design;

FIG. 2 is a front and lower left perspective view thereof;

FIG. 3 is a right end elevational view of an overload switch showing my new design on a reduced scale;

FIG. 4 is a rear elevational view thereof;

FIG. 5 is a right end elevational view thereof;

FIG. 6 is a front elevational view thereof;

FIG. 7 is a bottom plan view thereof; and,

FIG. 8 is a top plan view thereof.

[56] **References Cited**

U.S. PATENT DOCUMENTS

| | | | | |
|------------|--------|----------------|-------|-----------|
| D. 277,903 | 7/1973 | Nicol | | D13/160 X |
| 2,649,691 | 7/1953 | Ingwersen | | 337/112 |
| 2,986,620 | 5/1961 | Bullock et al. | | 337/36 |
| 3,038,047 | 6/1962 | Marquis | | 337/112 |

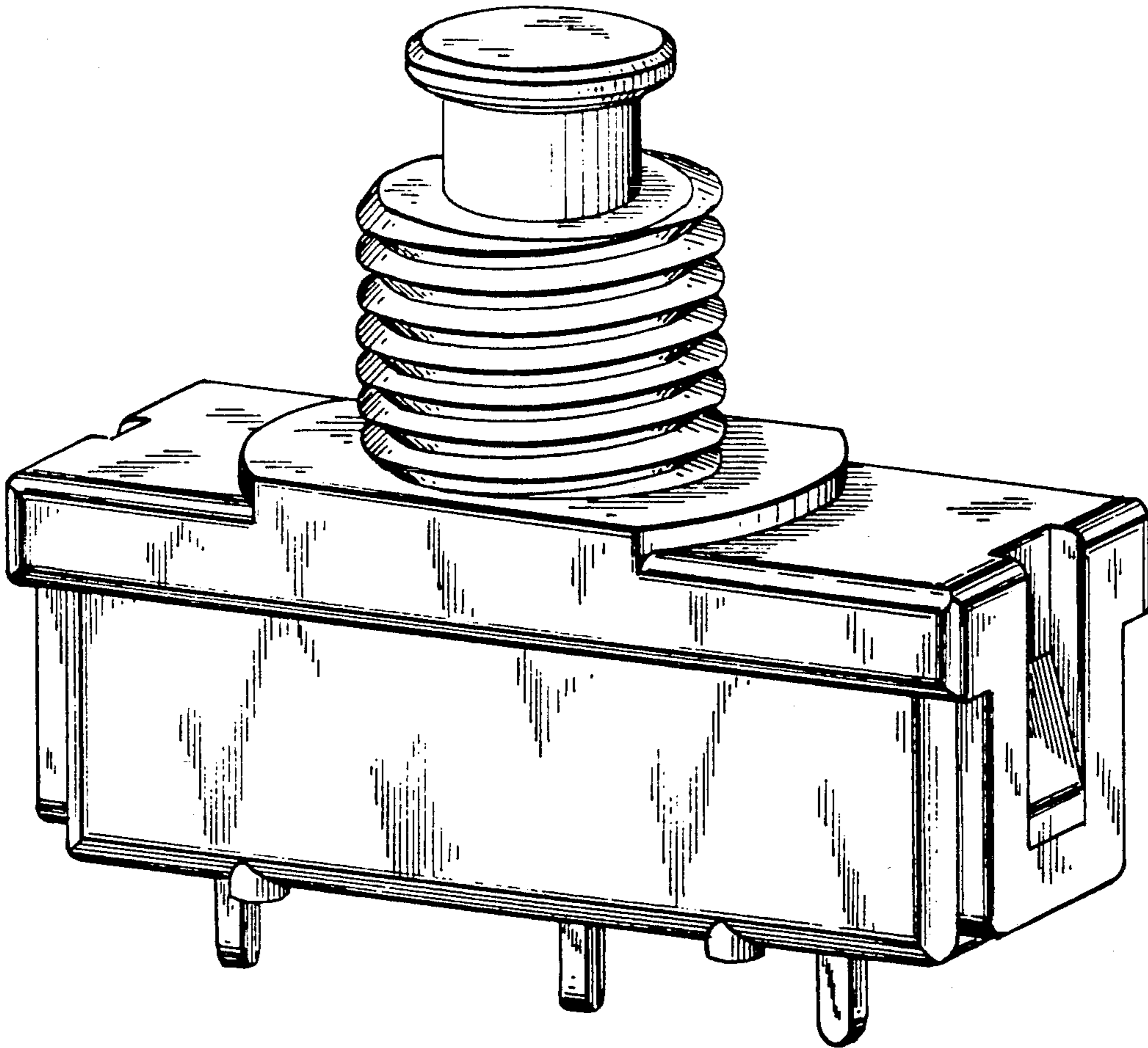


FIG. 1

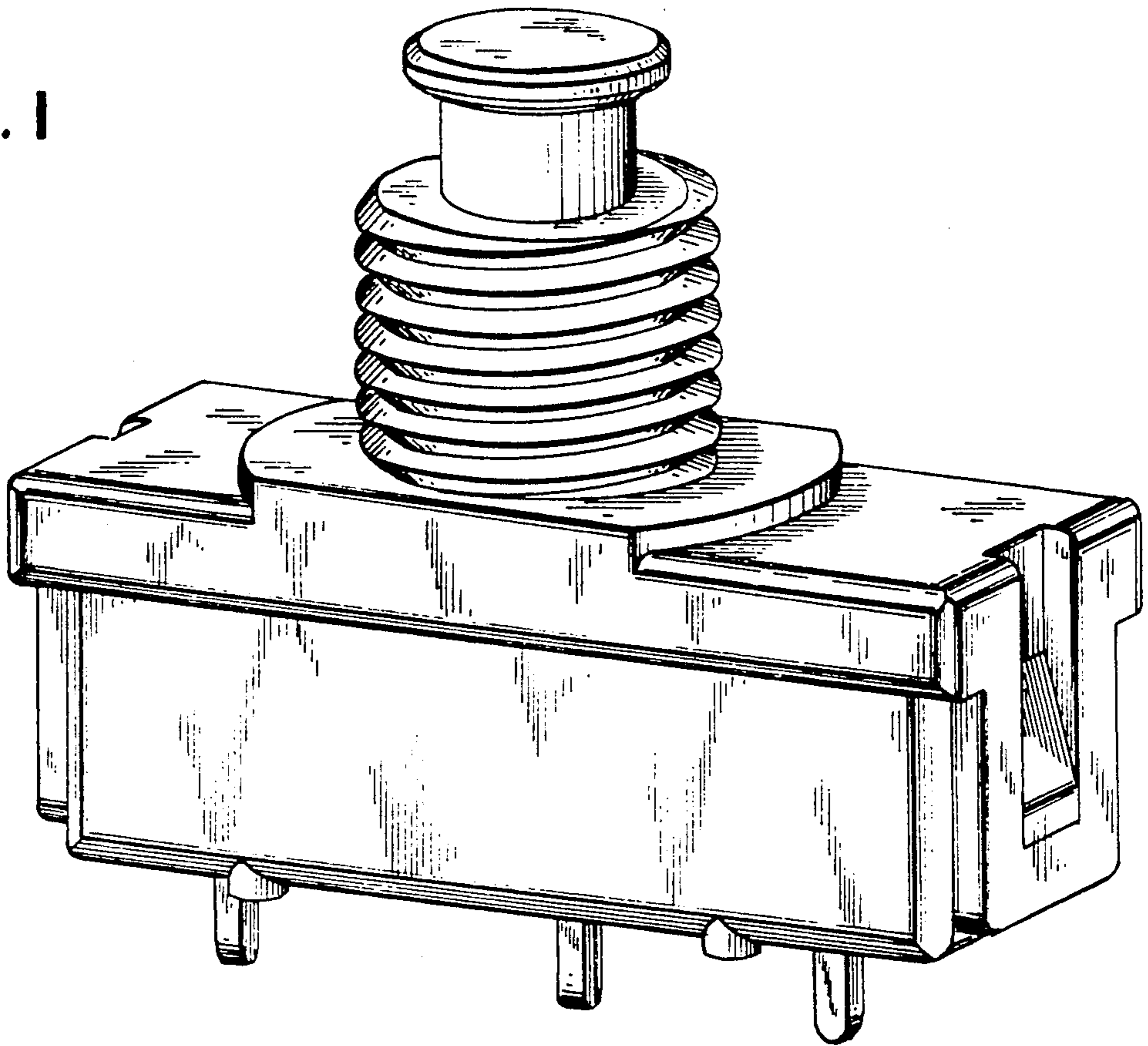


FIG. 2

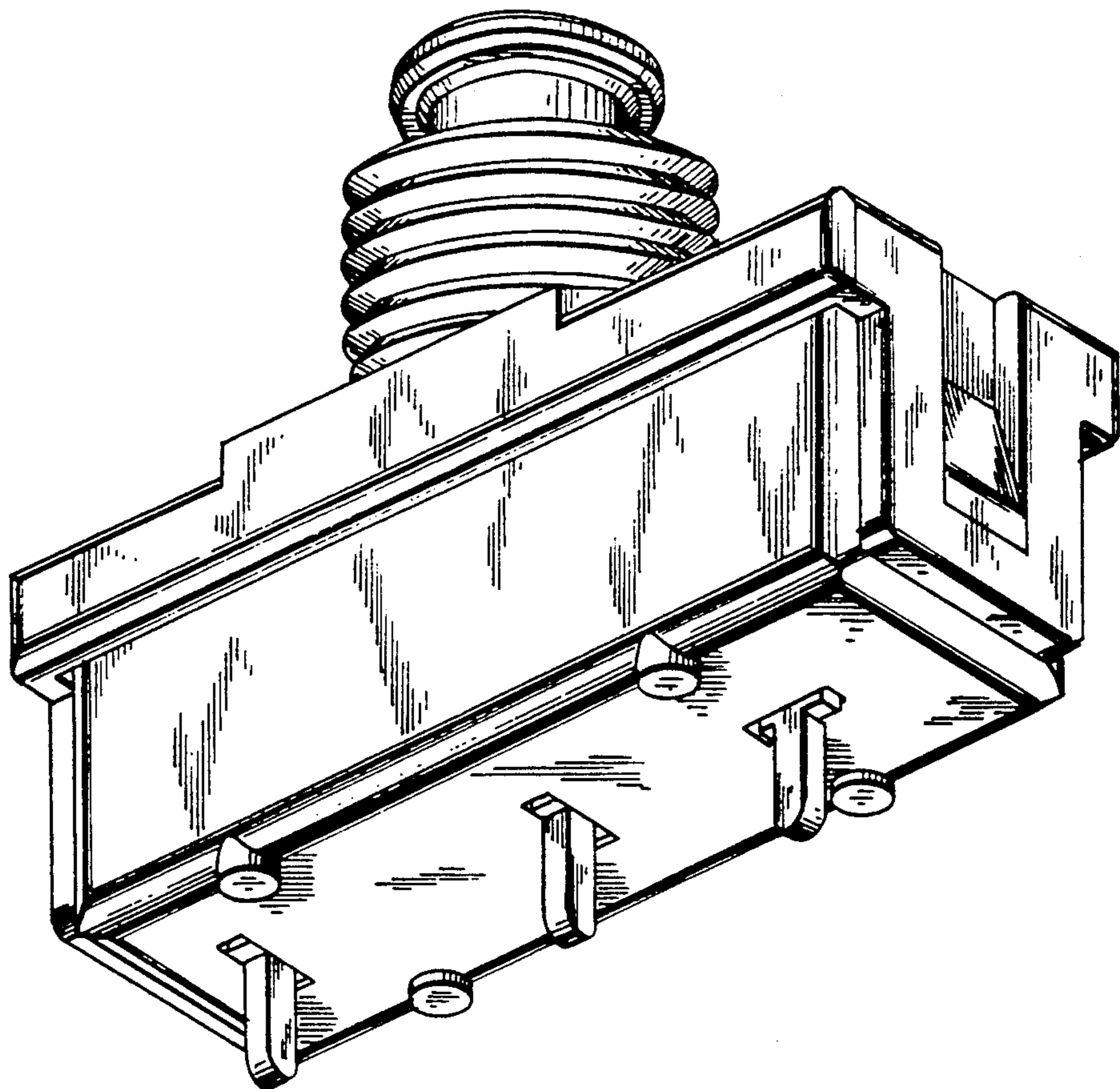


FIG. 3

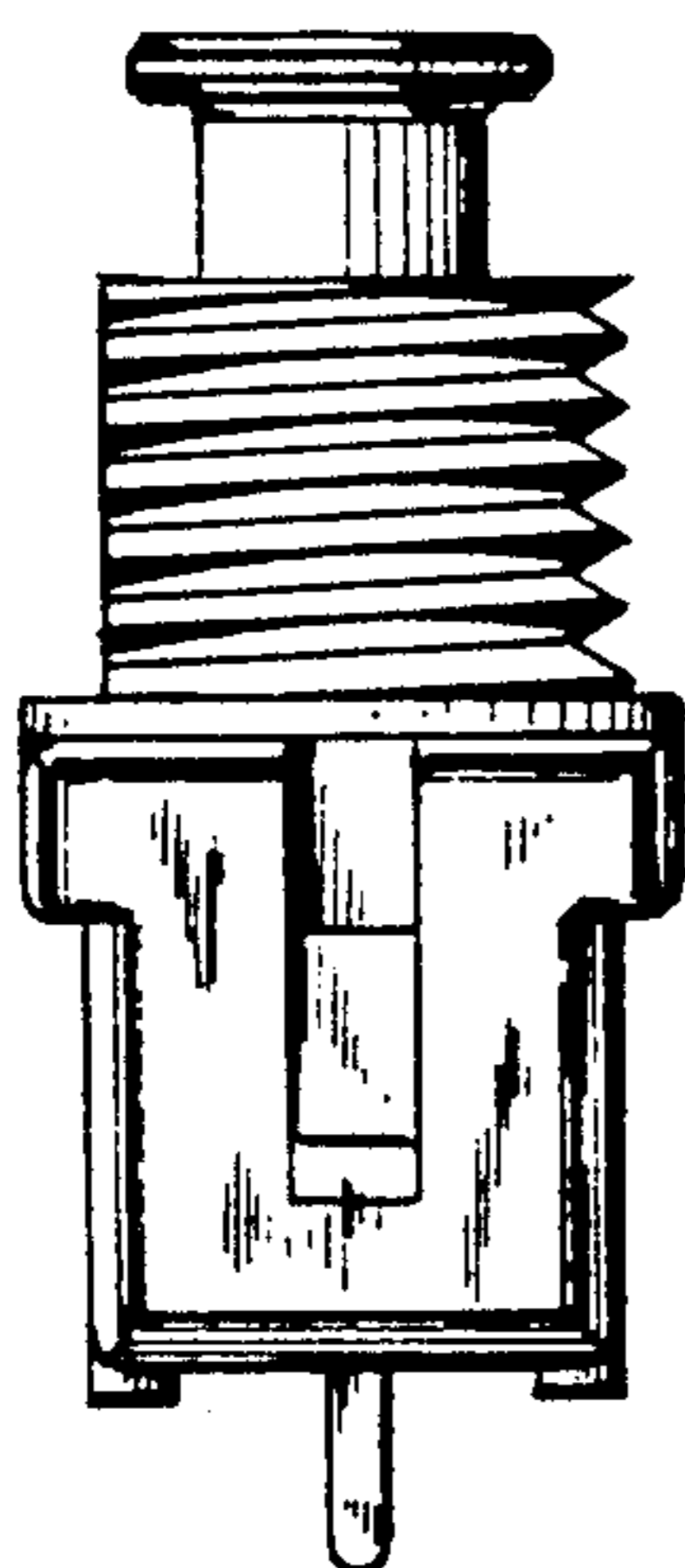


FIG. 4

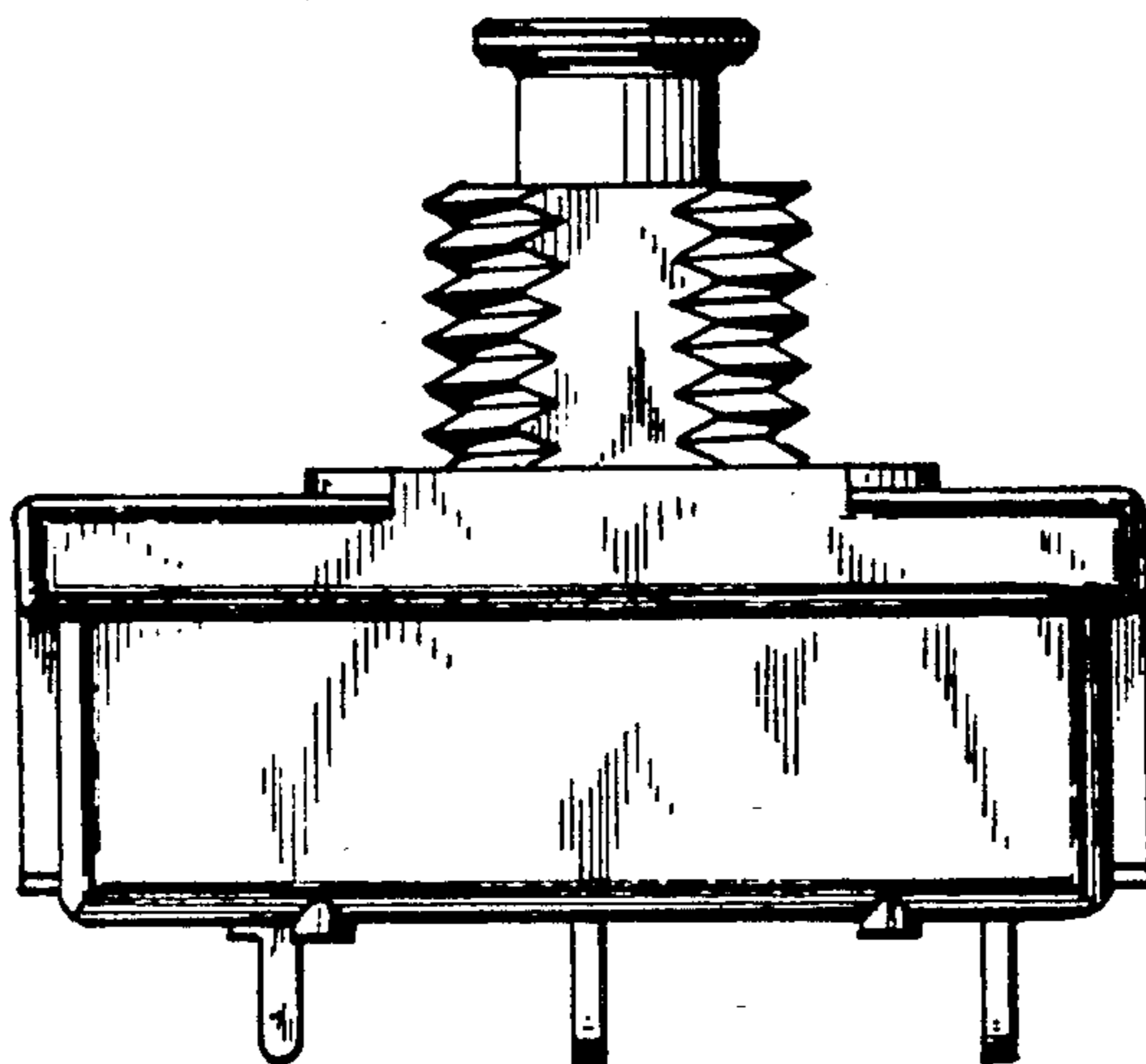


FIG. 5

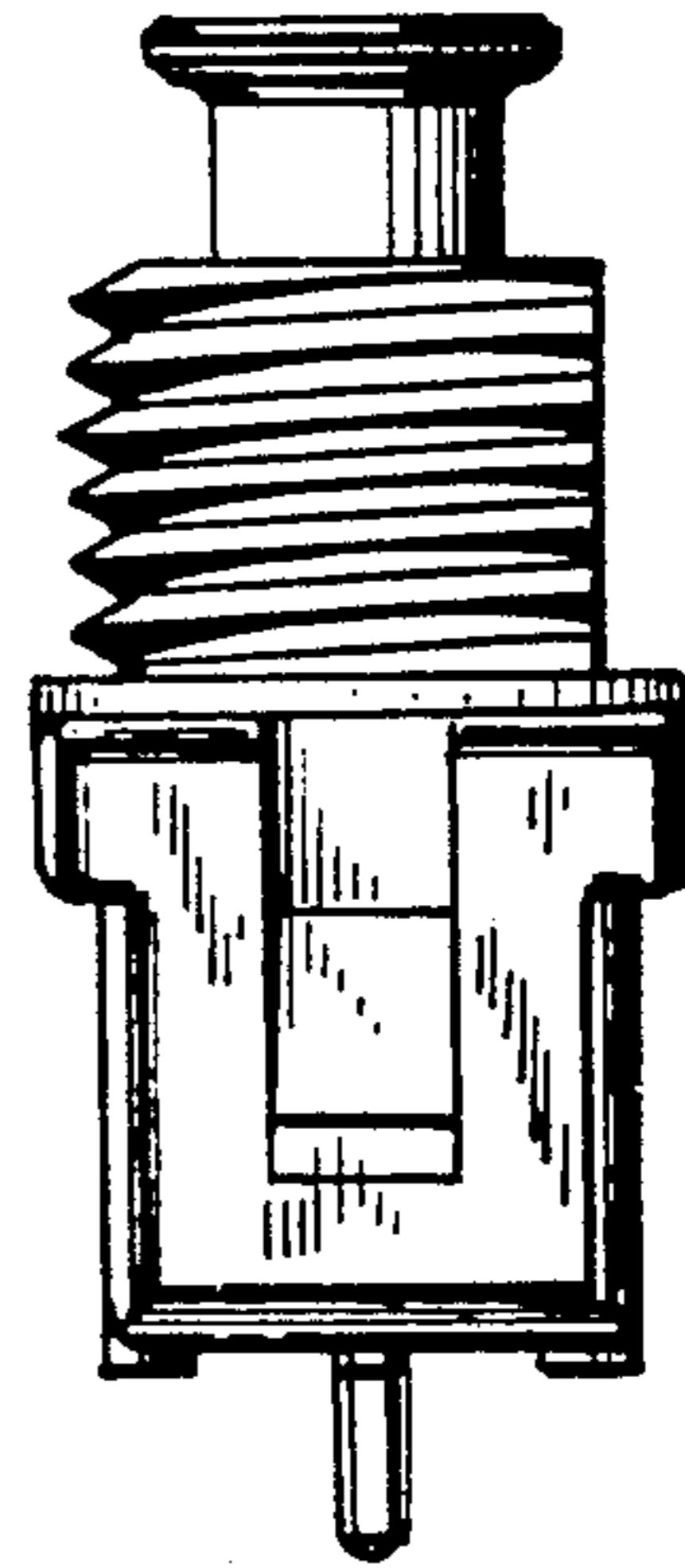


FIG. 6

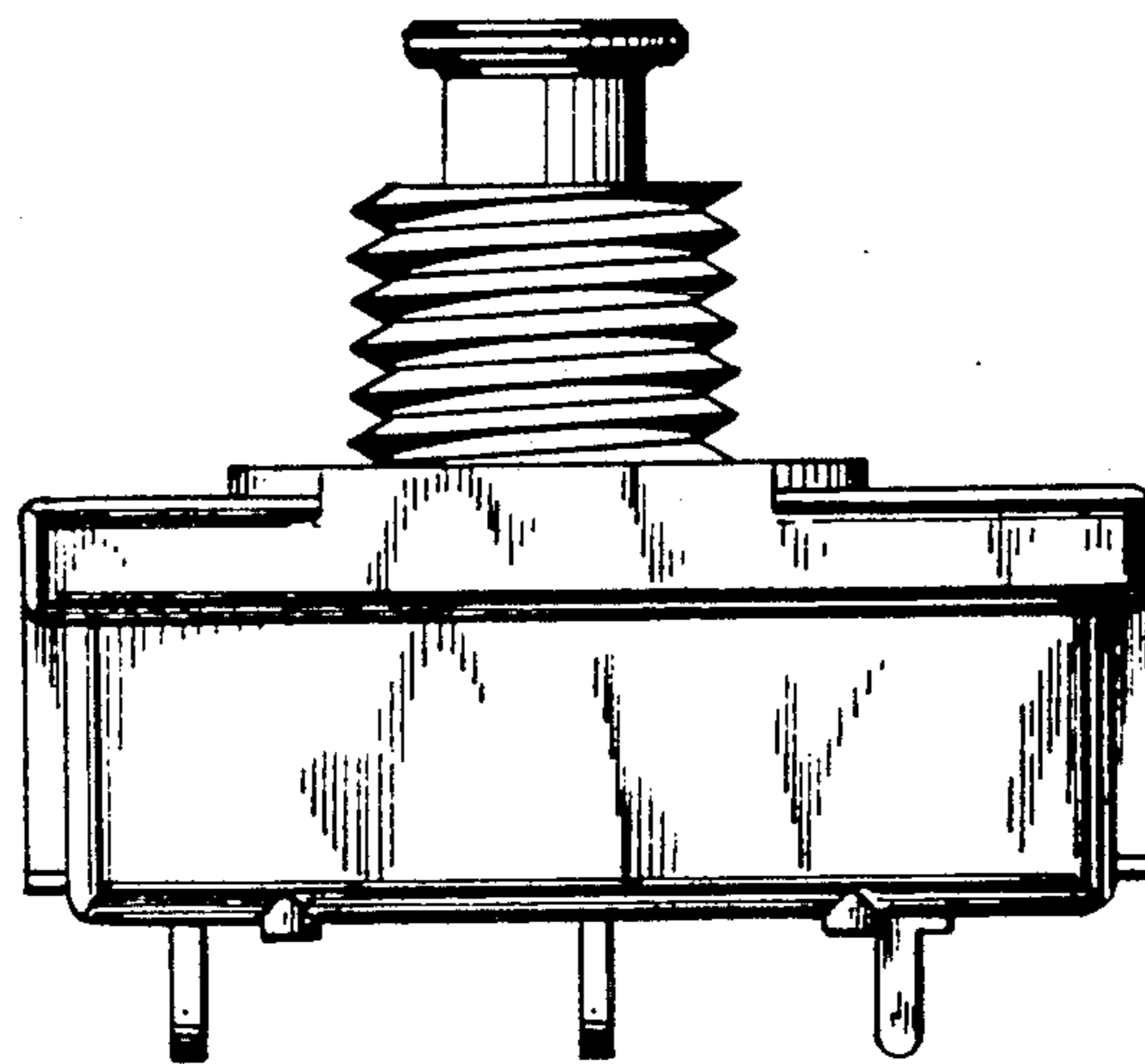


FIG. 7

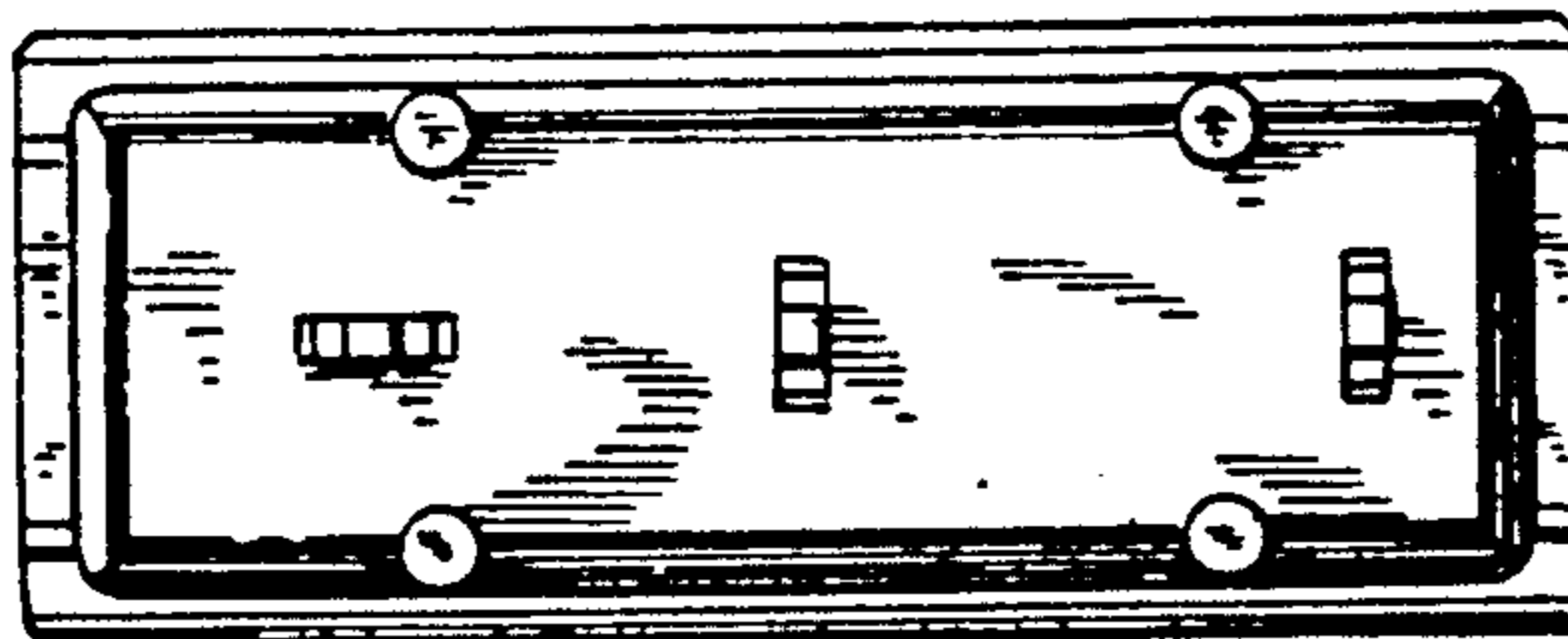


FIG. 8

