



US00D325374S

United States Patent [19]

[11] Patent Number: **Des. 325,374**

Ashby

[45] Date of Patent: **** Apr. 14, 1992**

[54] ELECTRIC CORD LOCKBOX

[76] Inventor: **James C. Ashby**, 2061 Caminoway La., Salt Lake City, Utah 84121

[**] Term: **14 Years**

[21] Appl. No.: **409,877**

[22] Filed: **Sep. 20, 1989**

[52] U.S. Cl. **D13/154; D13/156**

[58] Field of Search **D13/156; D8/336, 345, D8/350; D9/353, 361, 363, 364, 365, 414, 420, 423, 428, 430; D6/396, 422, 432; D3/30.1; 220/3.8, 210, 241, 242; 439/93, 135, 136, 146, 149, 367, 892, 893; 109/52; 292/281, 285; 312/215; 174/50, 67; 248/551, 552, 553**

[56] References Cited

U.S. PATENT DOCUMENTS

D. 242,000	10/1976	Brown	D6/432
D. 265,867	8/1982	Margulis	D3/39
D. 311,686	10/1990	Tozawa	D9/432
848,431	3/1907	Blumberg	D9/423 X
2,330,975	10/1943	Jackson	220/3.8
2,332,918	10/1943	Kalske	D3/78 X
2,643,787	6/1953	Rockman	220/3.2
2,763,707	9/1956	Soderberg	174/50
3,945,530	3/1976	Bozich	220/3.8 X
4,782,971	11/1988	Hill	220/3.2

FOREIGN PATENT DOCUMENTS

0326275 3/1935 Italy 292/285
244009 12/1985 Japan 174/65 R

OTHER PUBLICATIONS

Tool Box on p. 20 of Lyon Steel Equipment Cat. Sheet No. 100-F, 1957.

Safety Hasp on p. 4 of Lawrence Bros. Cat. 81-f.

Extra Heavy Hinge Hasp on p. 7 of Lawrence Bros. Cat. 81-f.

Primary Examiner—Susan J. Lucas

Assistant Examiner—J. Sincavage

Attorney, Agent, or Firm—Richard C. Litman

[57] CLAIM

The ornamental design for an electric cord lockbox, as shown and described.

DESCRIPTION

FIG. 1 is a rear and upper right perspective view of an electric cord lockbox showing my new design with the lid in the open position;

FIG. 2 is a front elevational view of an electric cord lockbox showing my new design with the lid in the closed position and on a reduced scale;

FIG. 3 is a rear elevational view thereof;

FIG. 4 is a top plan view thereof;

FIG. 5 is a bottom plan view thereof; and,

FIG. 6 is a left side elevational view thereof.

The broken line showing of the plug in FIG. 1 is included for the purposes of illustrating environmental elements only and forms no part of the claimed design.

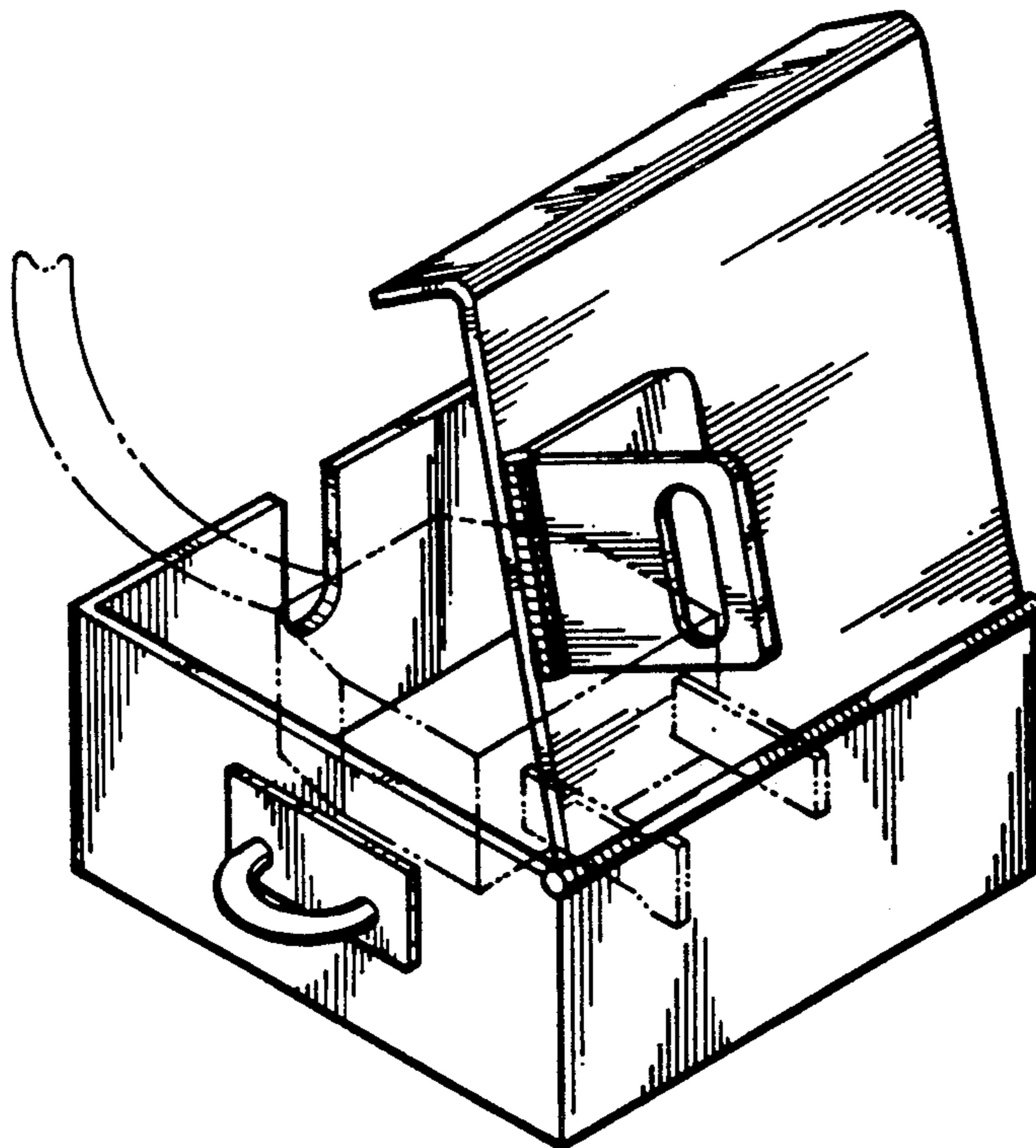


FIG. 1

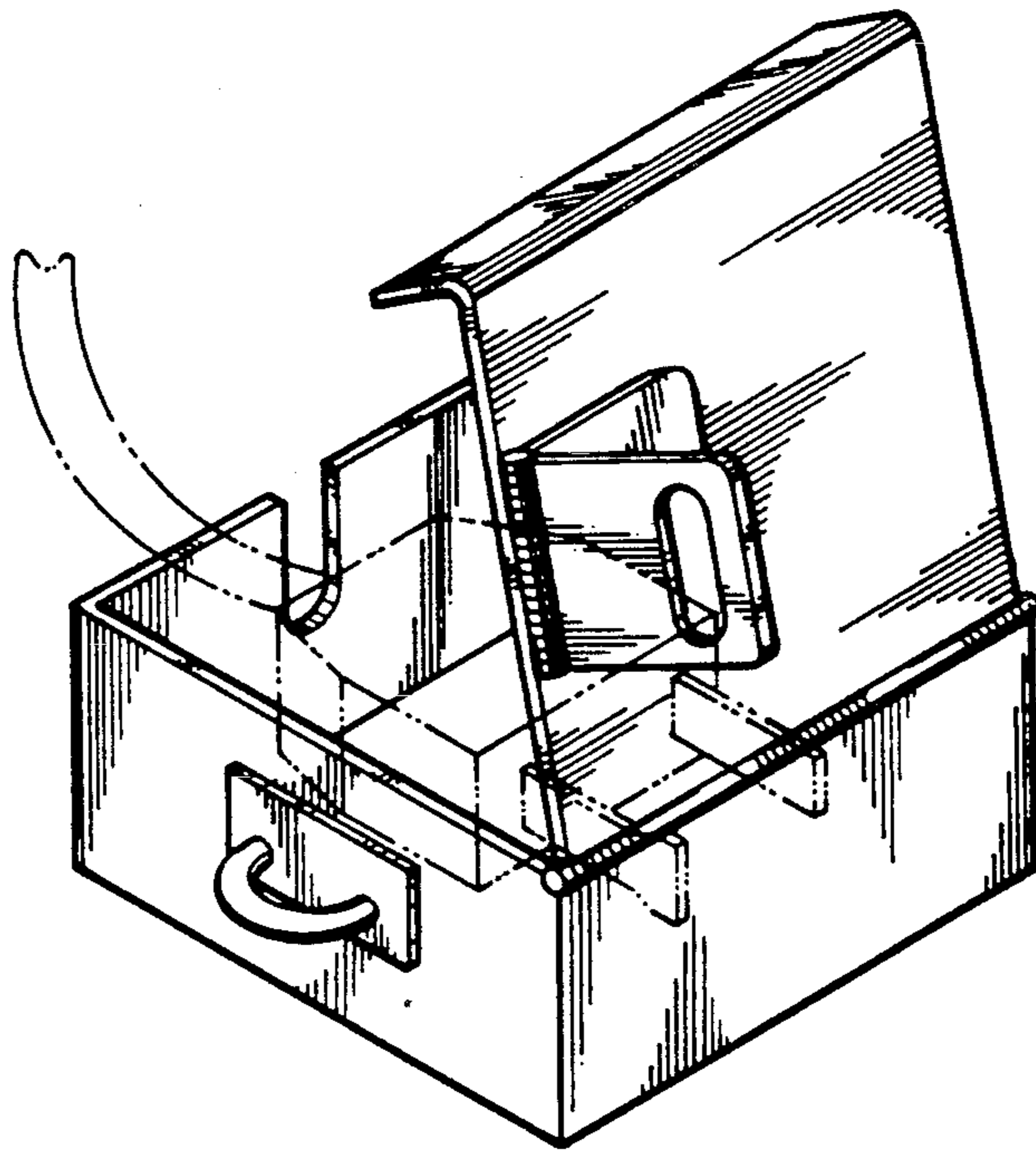


FIG. 2

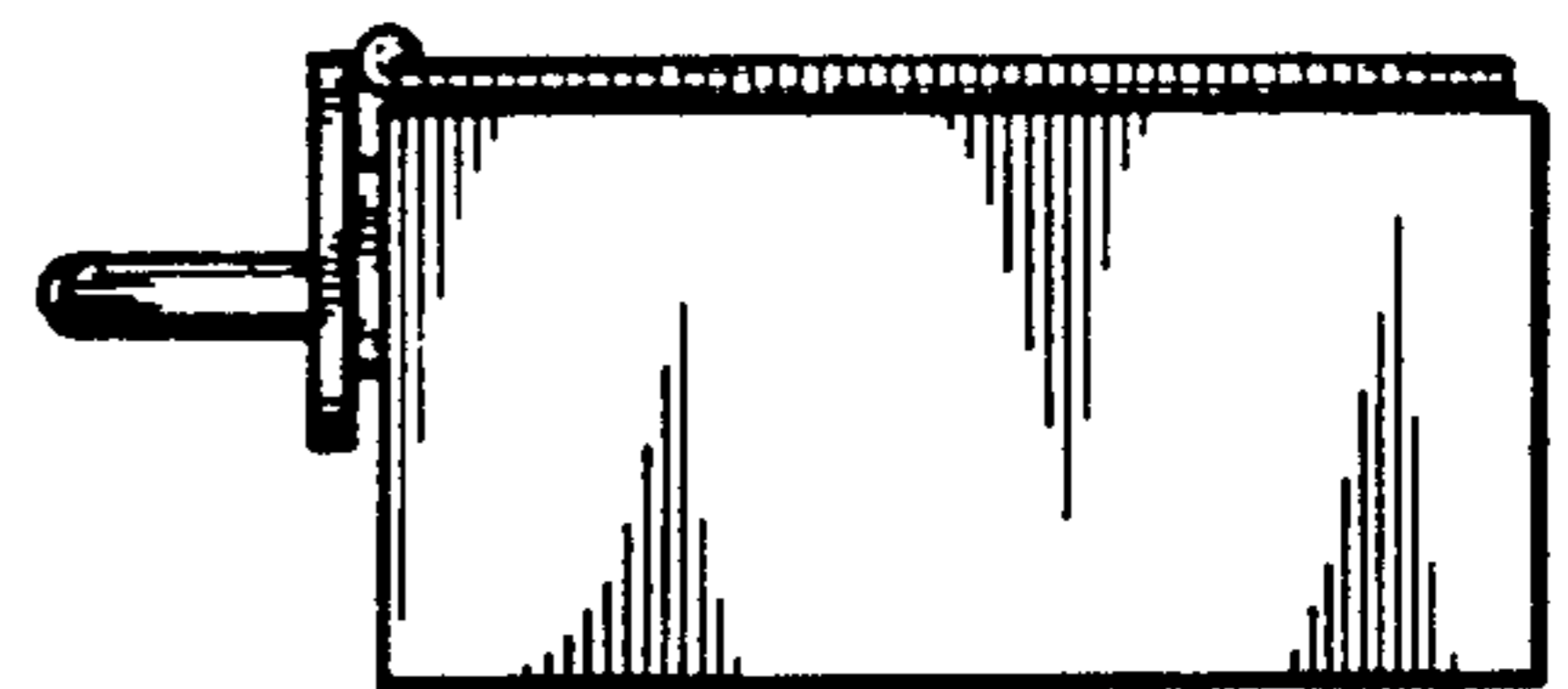


FIG. 3

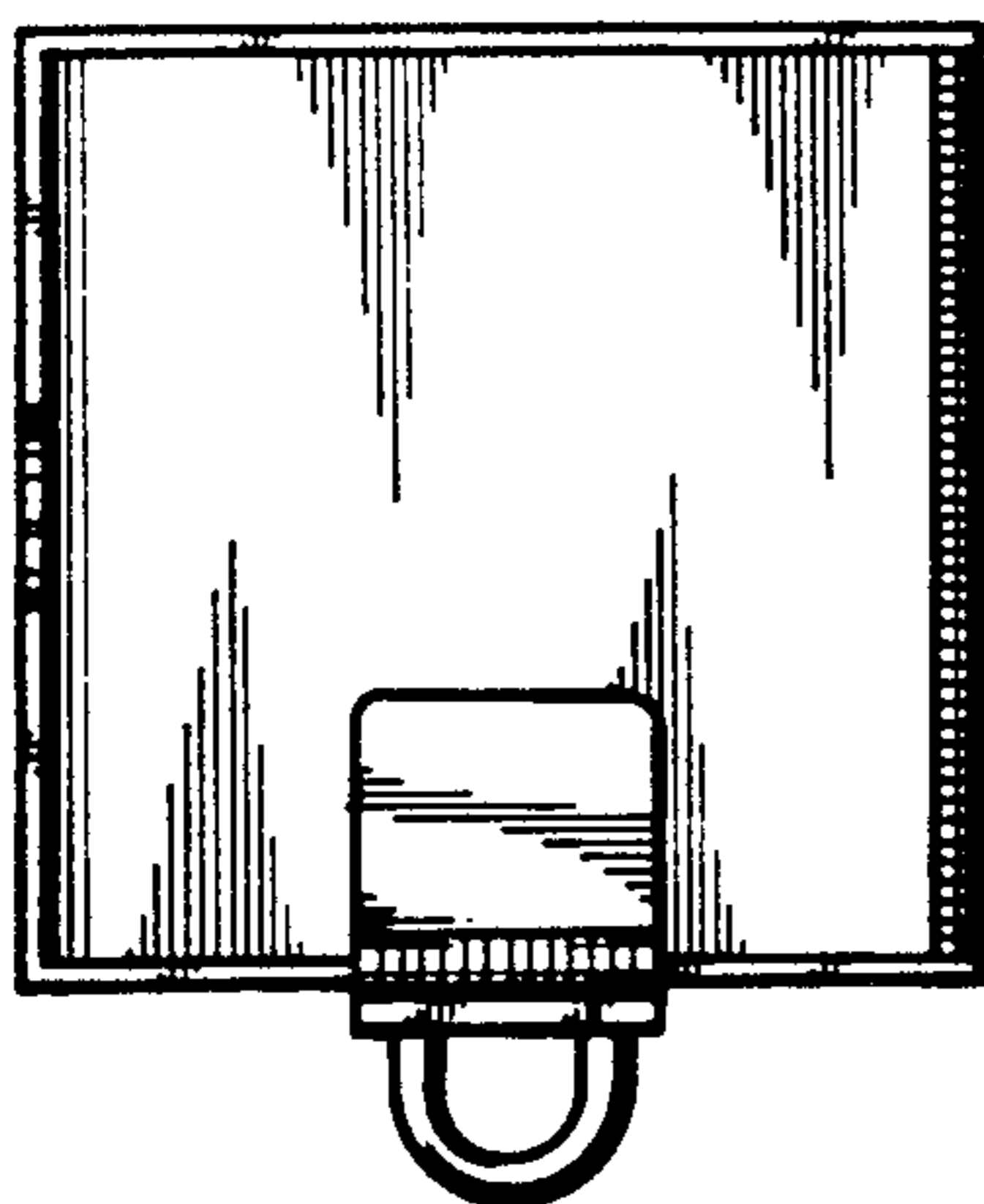


FIG. 4

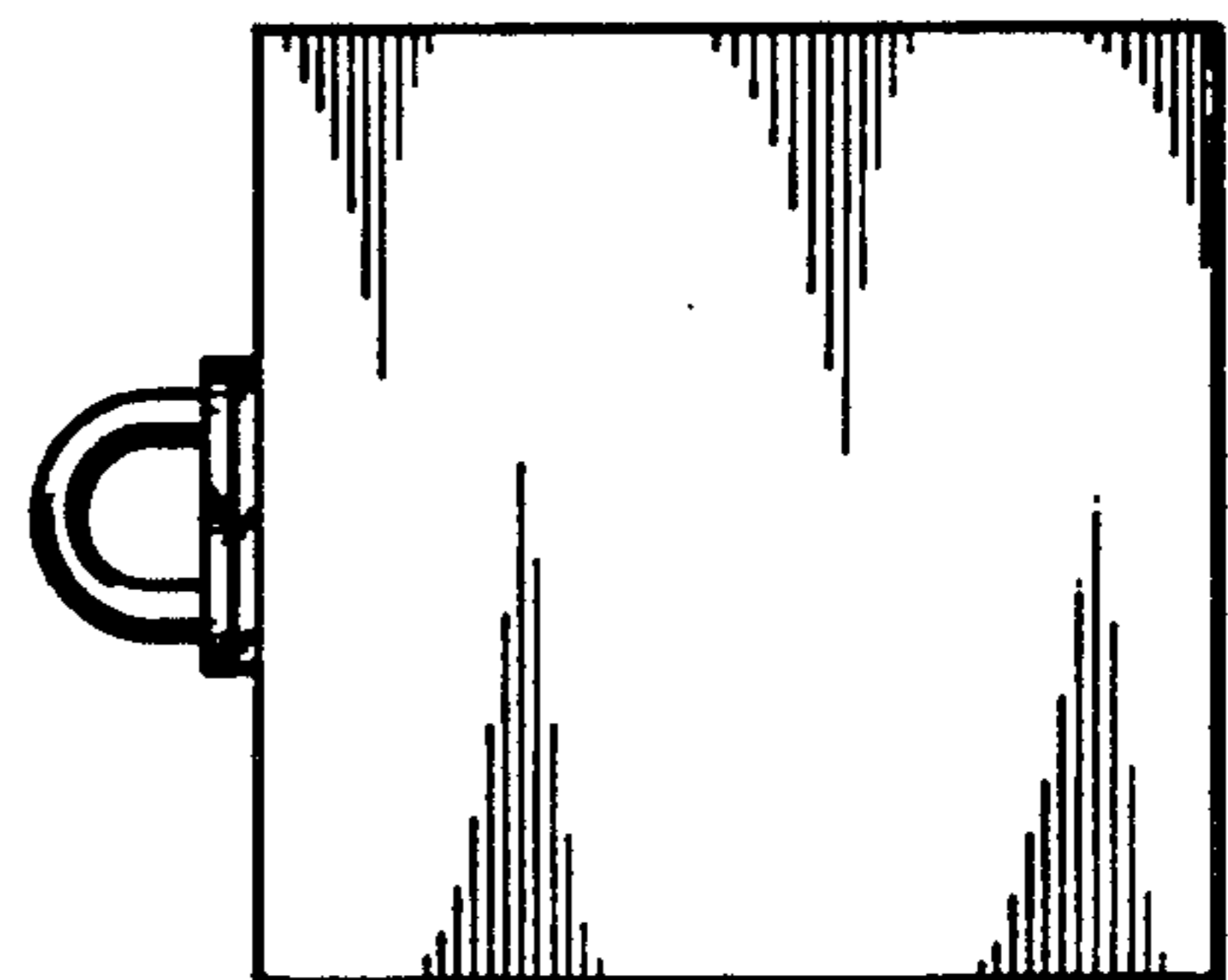


FIG. 5



FIG. 6