



US00D325366S

# United States Patent [19]

[11] Patent Number: **Des. 325,366**

Mansberger

[45] Date of Patent: **\*\* Apr. 14, 1992**

[54] TRUCK CAP

[56] References Cited

[75] Inventor: **Larry Mansberger**, P.O. Box 21318,  
Carson City, Nev. 89721

### U.S. PATENT DOCUMENTS

D. 212,469 10/1968 Kroll ..... D12/156  
D. 250,012 10/1978 Windecker et al. .... D12/156  
4,496,184 1/1985 Byrd et al. .... 296/100

[73] Assignee: **Larry Mansberger**, Carson City,  
Nev.

*Primary Examiner*—James M. Gandy

[\*\*] Term: **14 Years**

### [57] CLAIM

The ornamental design for a truck cap, as shown and described.

[21] Appl. No.: **547,100**

### DESCRIPTION

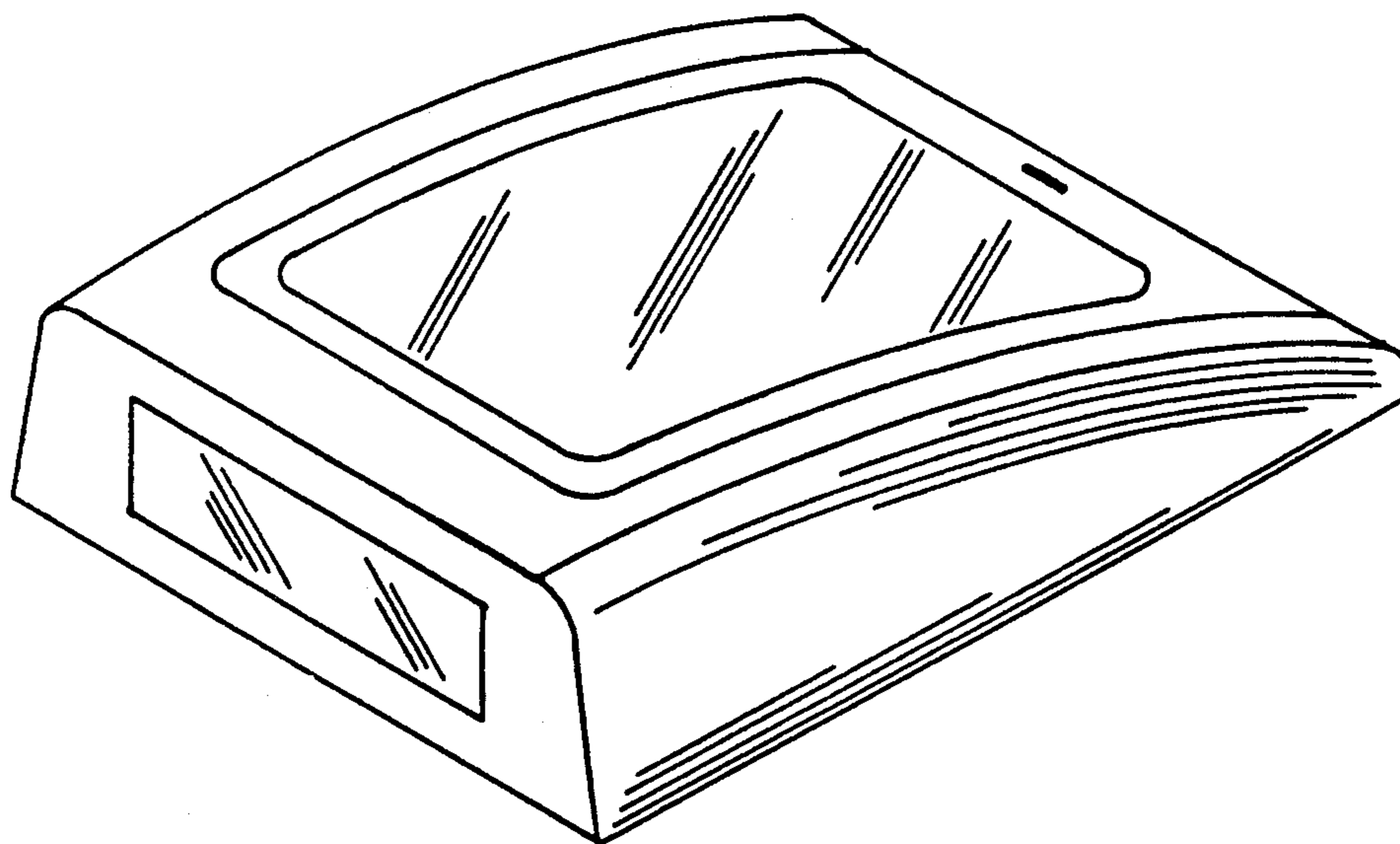
[22] Filed: **Jul. 2, 1990**

[52] U.S. Cl. .... **D12/156**

[58] Field of Search ..... D12/156; 296/10, 26,  
296/99.1, 100, 102, 164

FIG. 1 is a perspective view of the top, rear and one side of a truck cap showing my new design it being understood that the broken line showing of a pickup truck is for illustrative purposes only and forms no part of the claimed design; and,

FIG. 2 is an enlarged perspective view of the top, front and side thereof shown in FIG. 1 it being understood that the opposite side is a mirror image of that shown.



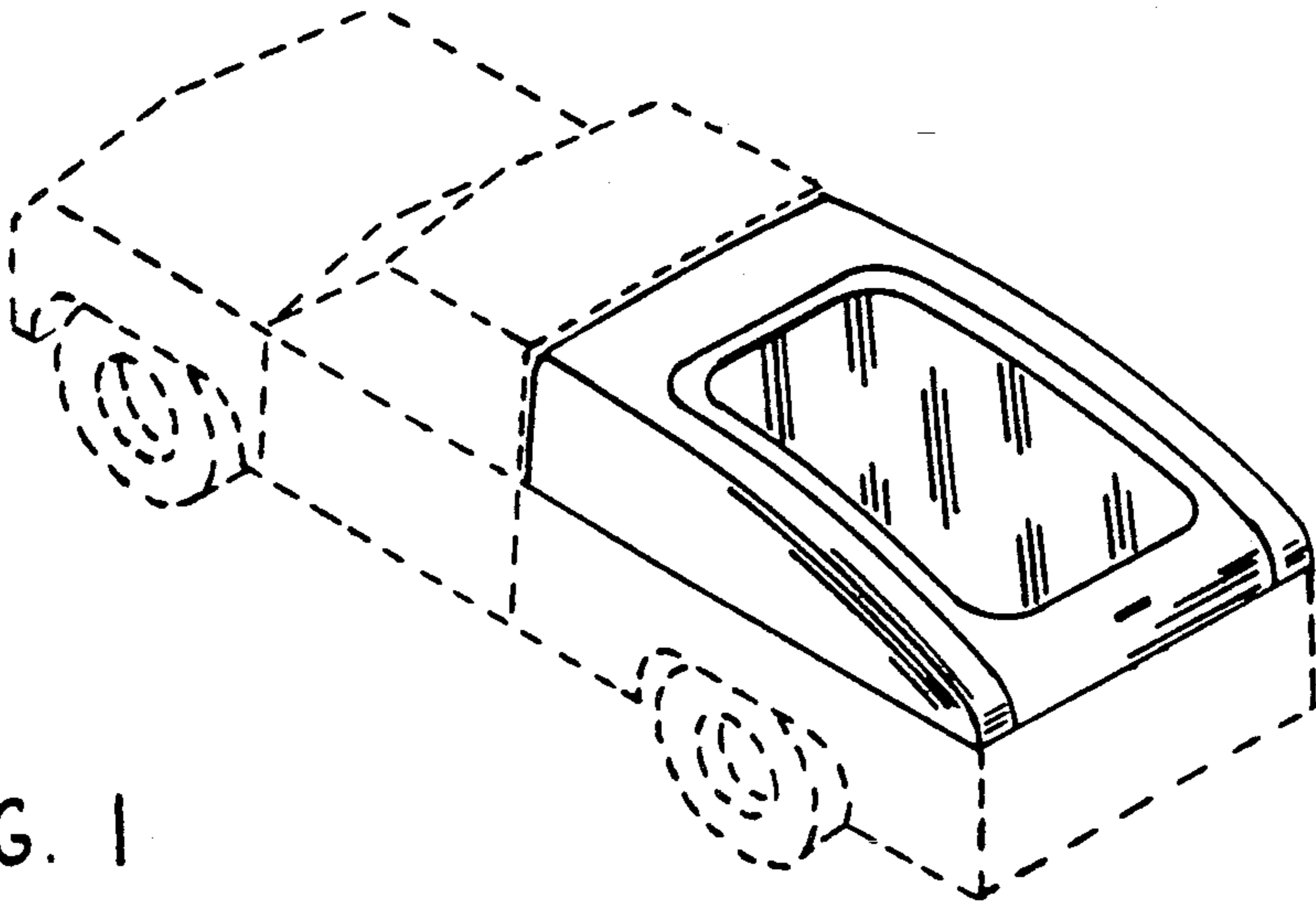


FIG. 1

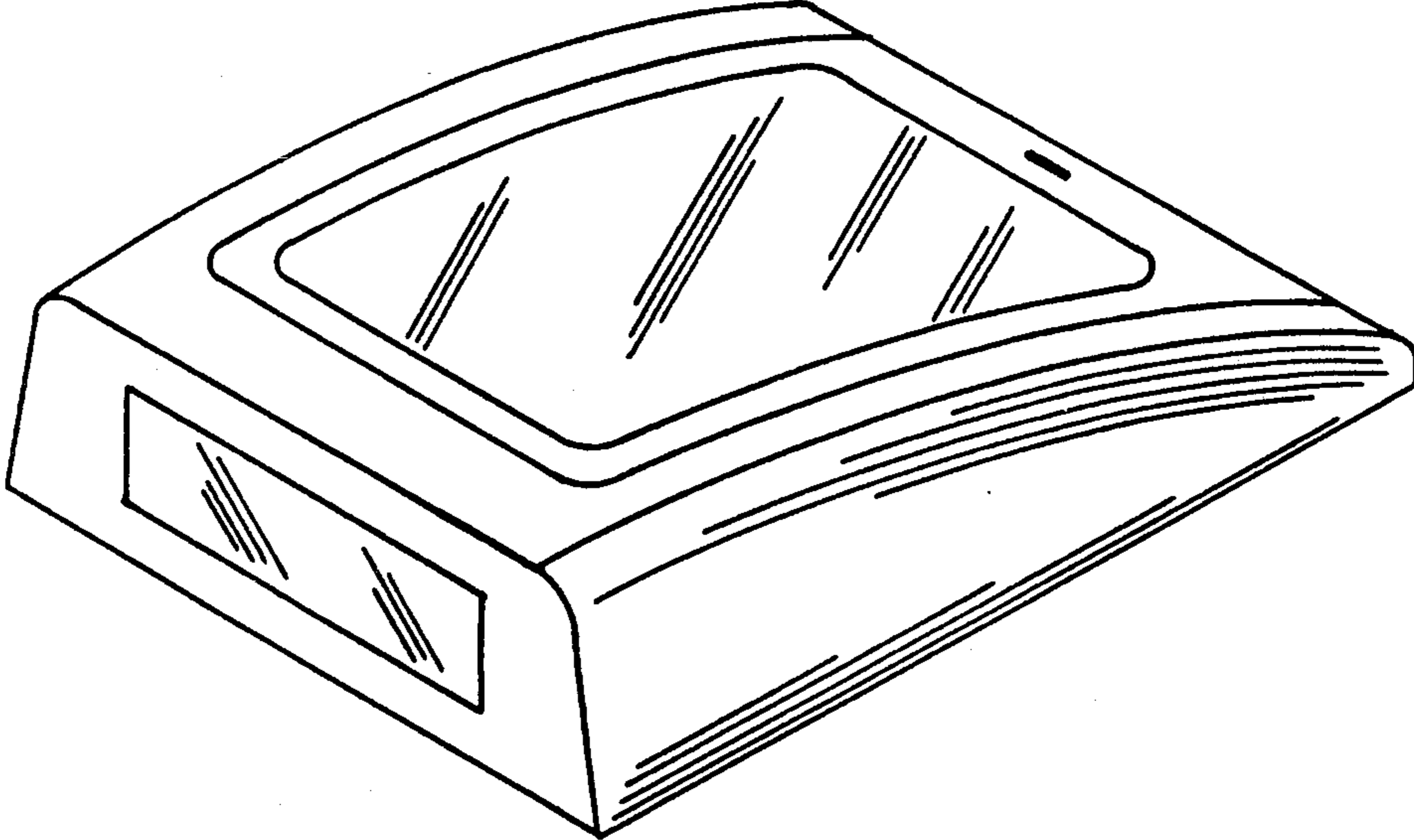


FIG. 2