



US00D325364S

United States Patent [19]

Stilley

[11] Patent Number: **Des. 325,364**

[45] Date of Patent: **** Apr. 14, 1992**

[54] **STROLLER**

D. 298,019 10/1988 McMillen D12/129

[76] Inventor: **Charles G. Stilley**, 167 Woodland Dr., Pittsburgh, Pa. 15236

Primary Examiner—Kay H. Chin

[**] Term: **14 Years**

[57] **CLAIM**

The ornamental design for a stroller, as shown and described.

[21] Appl. No.: **439,165**

[22] Filed: **Dec. 18, 1989**

DESCRIPTION

[52] U.S. Cl. **D12/129; D34/20**

FIG. 1 is a top and front perspective view of a stroller showing my new design;

[58] Field of Search **D12/128, 129; 280/658, 280/650, 62, 47.38; D34/12, 14, 17, 19, 20, 21**

FIG. 2 is a left side elevational view thereof;

FIG. 3 is a front elevational view thereof;

FIG. 4 is a right side elevational view thereof;

FIG. 5 is a rear elevational view thereof;

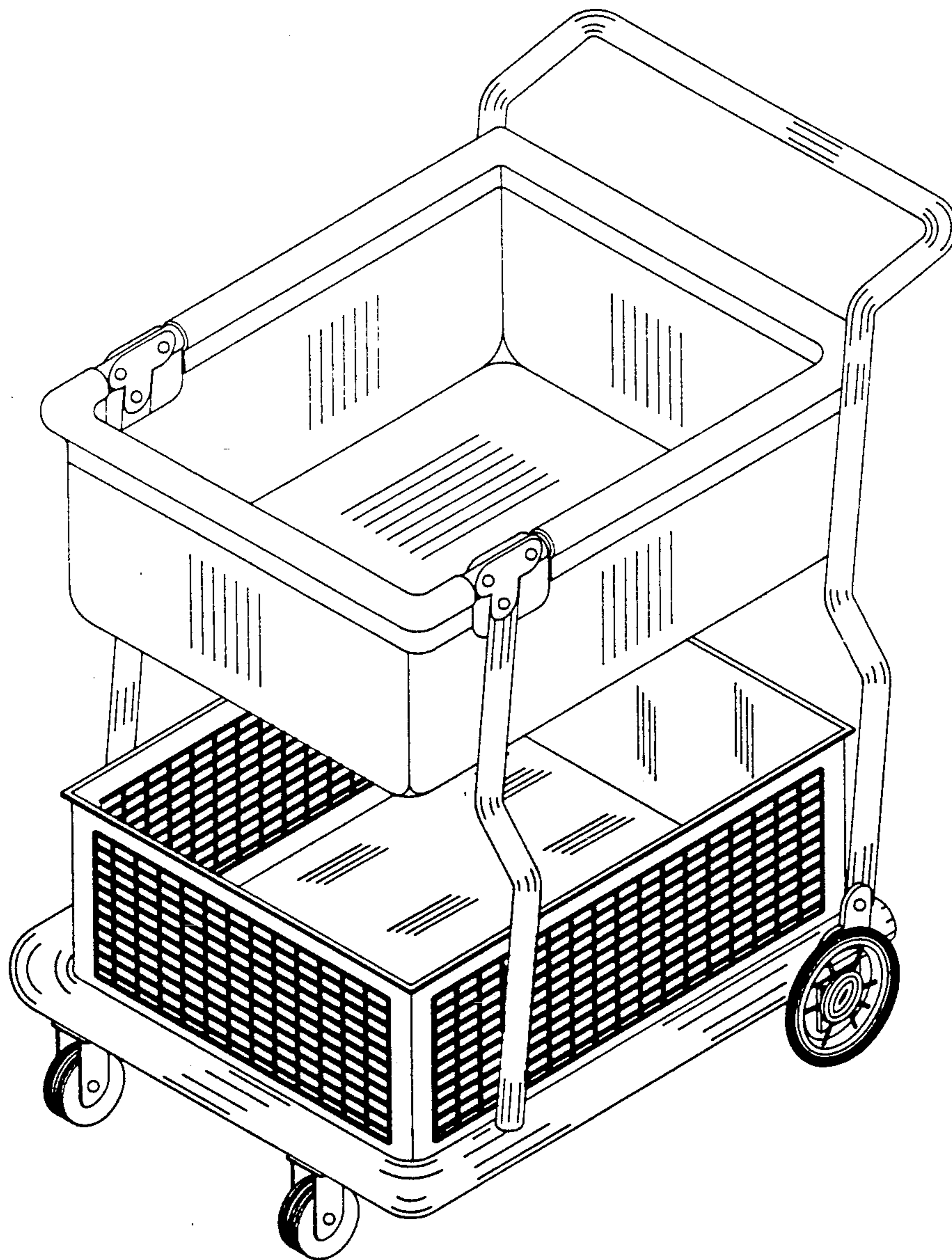
FIG. 6 is a top plan view thereof; and,

FIG. 7 is a bottom plan view thereof.

[56] **References Cited**

U.S. PATENT DOCUMENTS

D. 282,499 2/1986 Alstrom D12/129



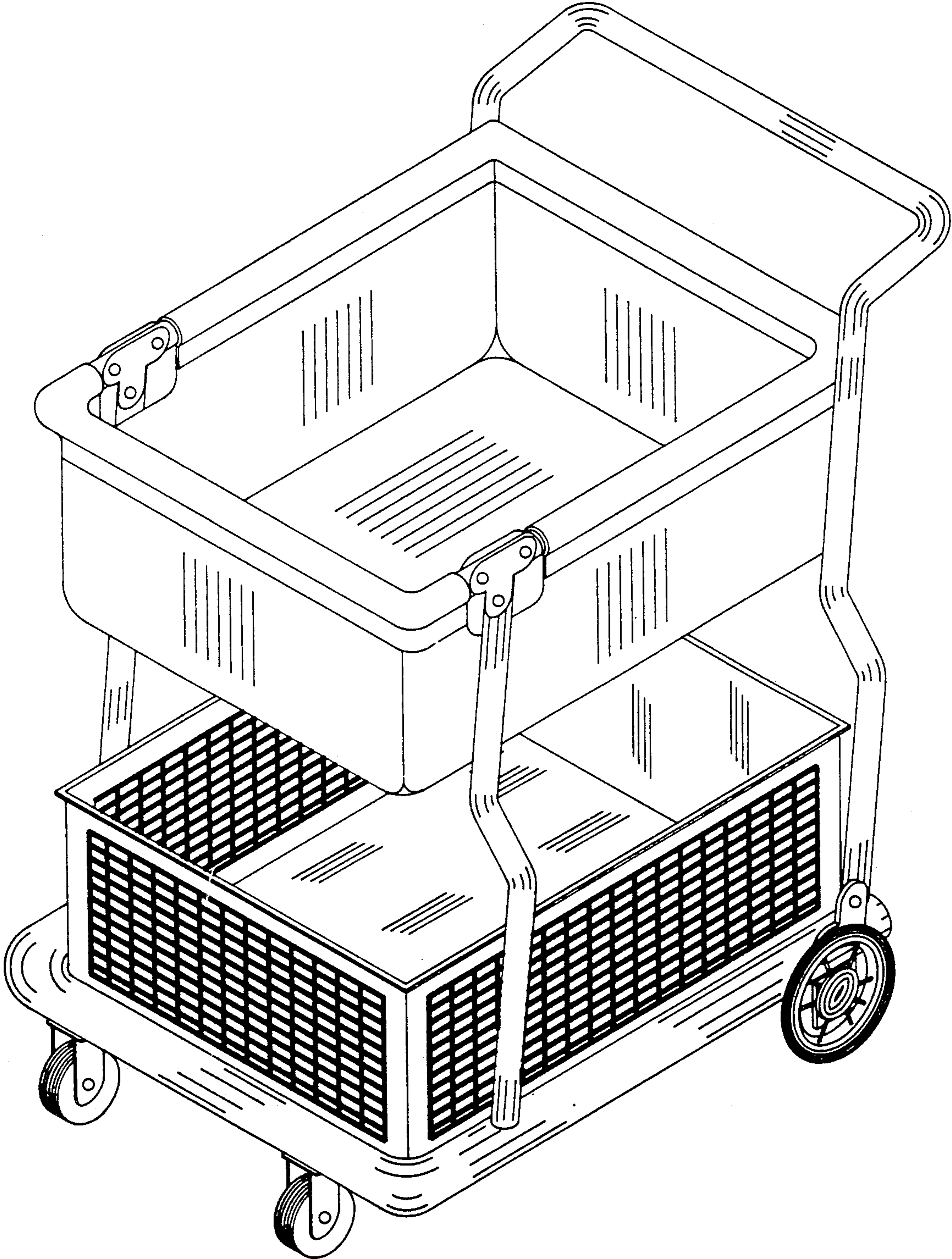


FIG. 1

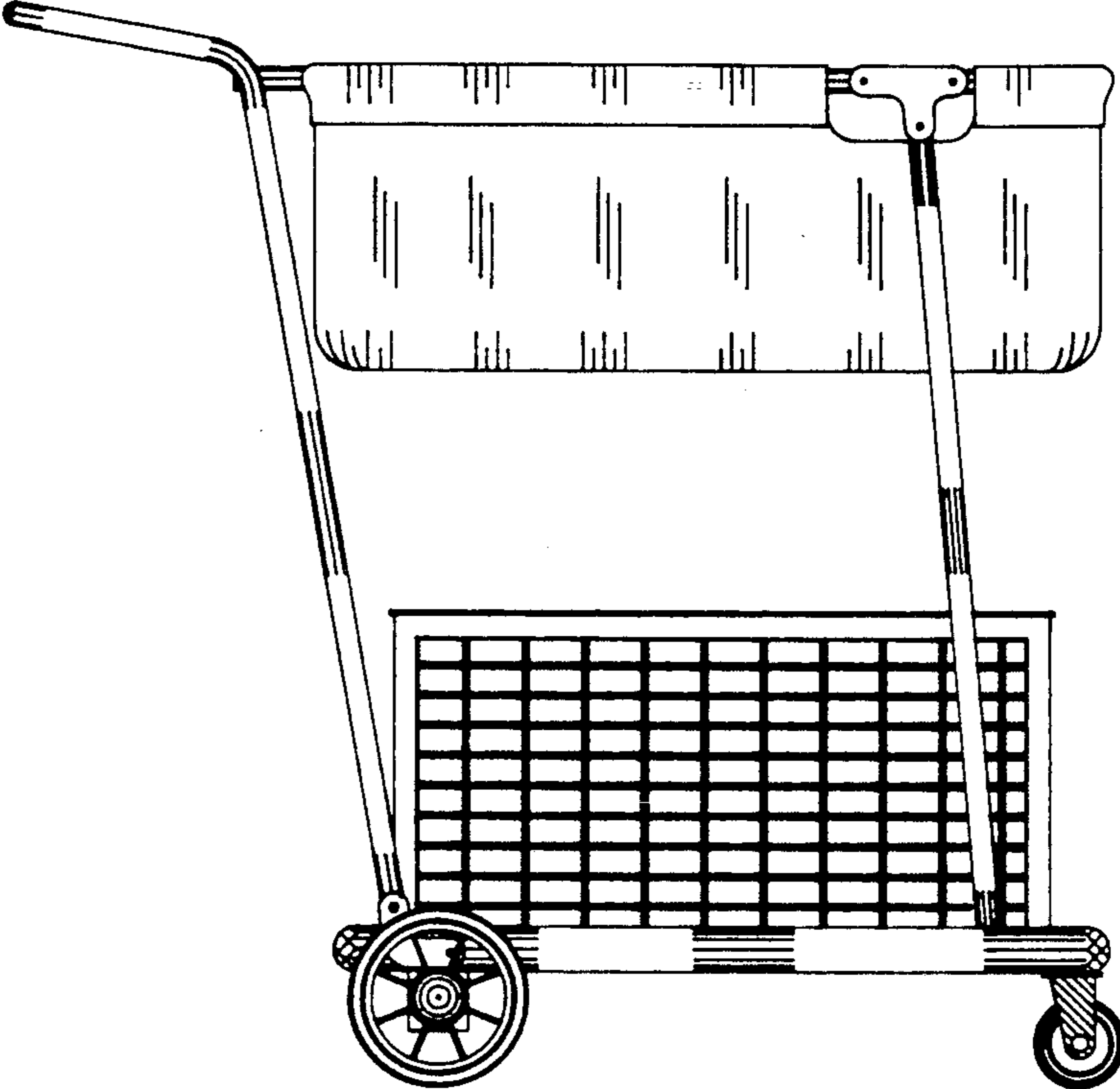


FIG. 2

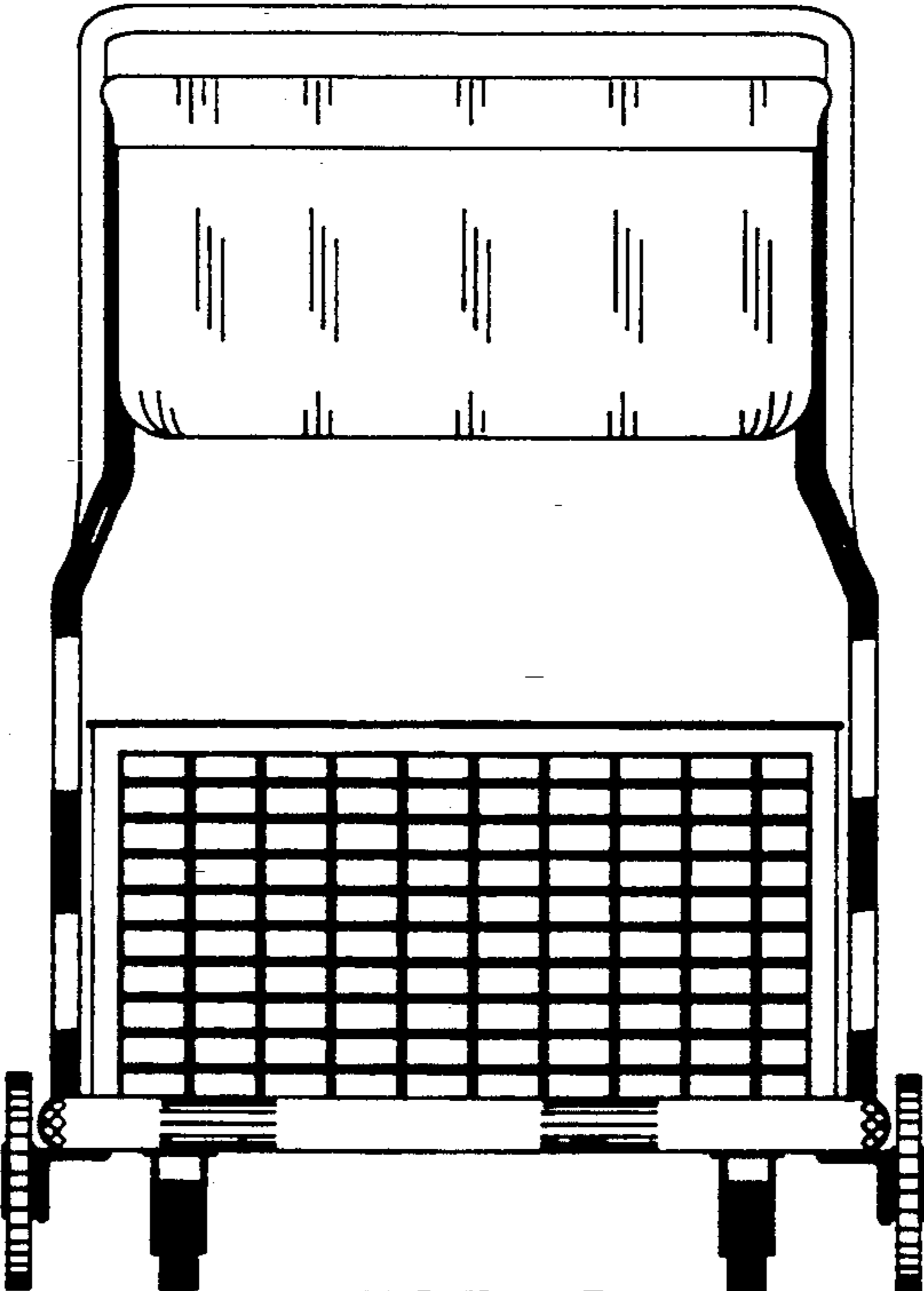


FIG. 3

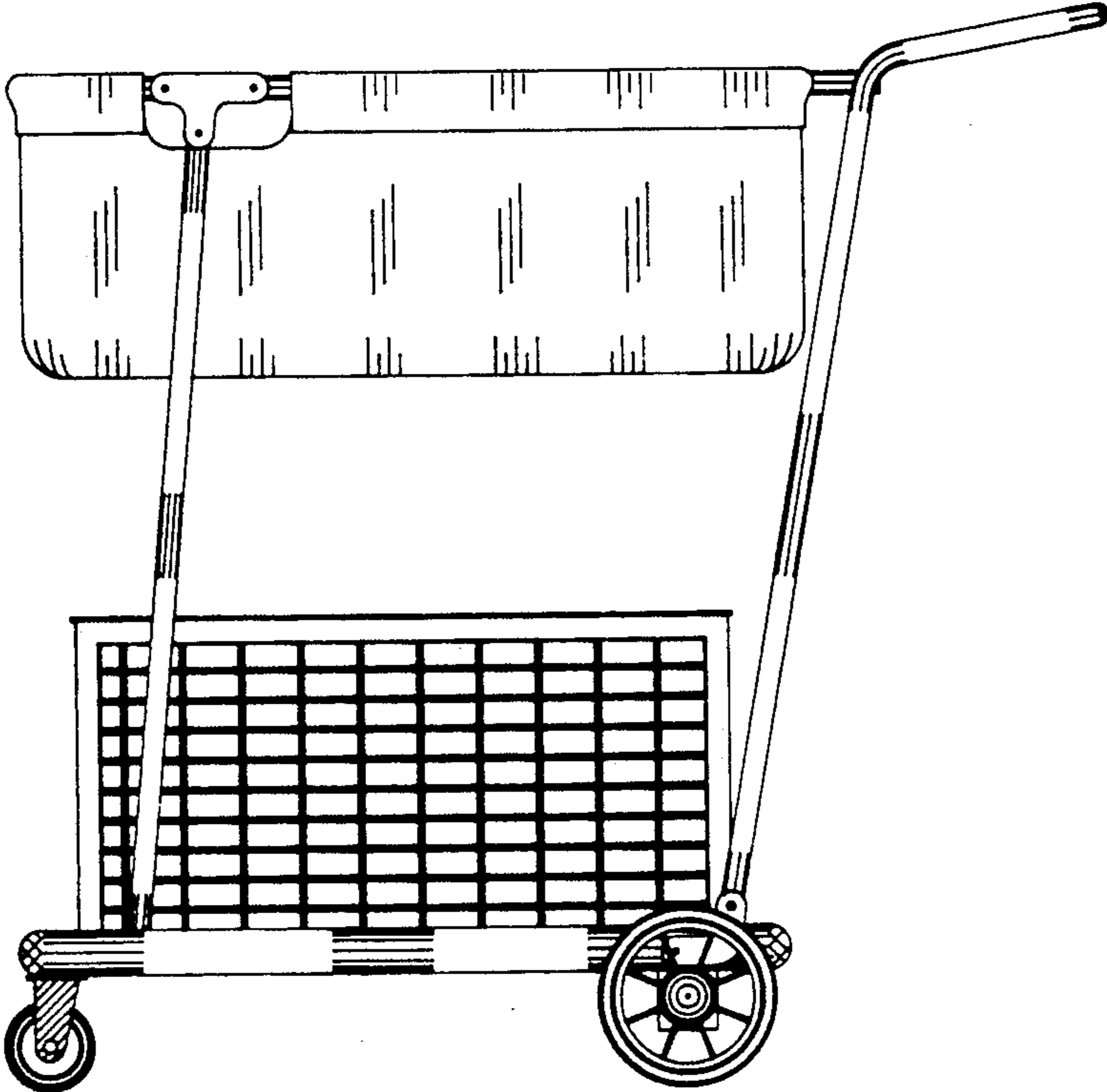


FIG. 4

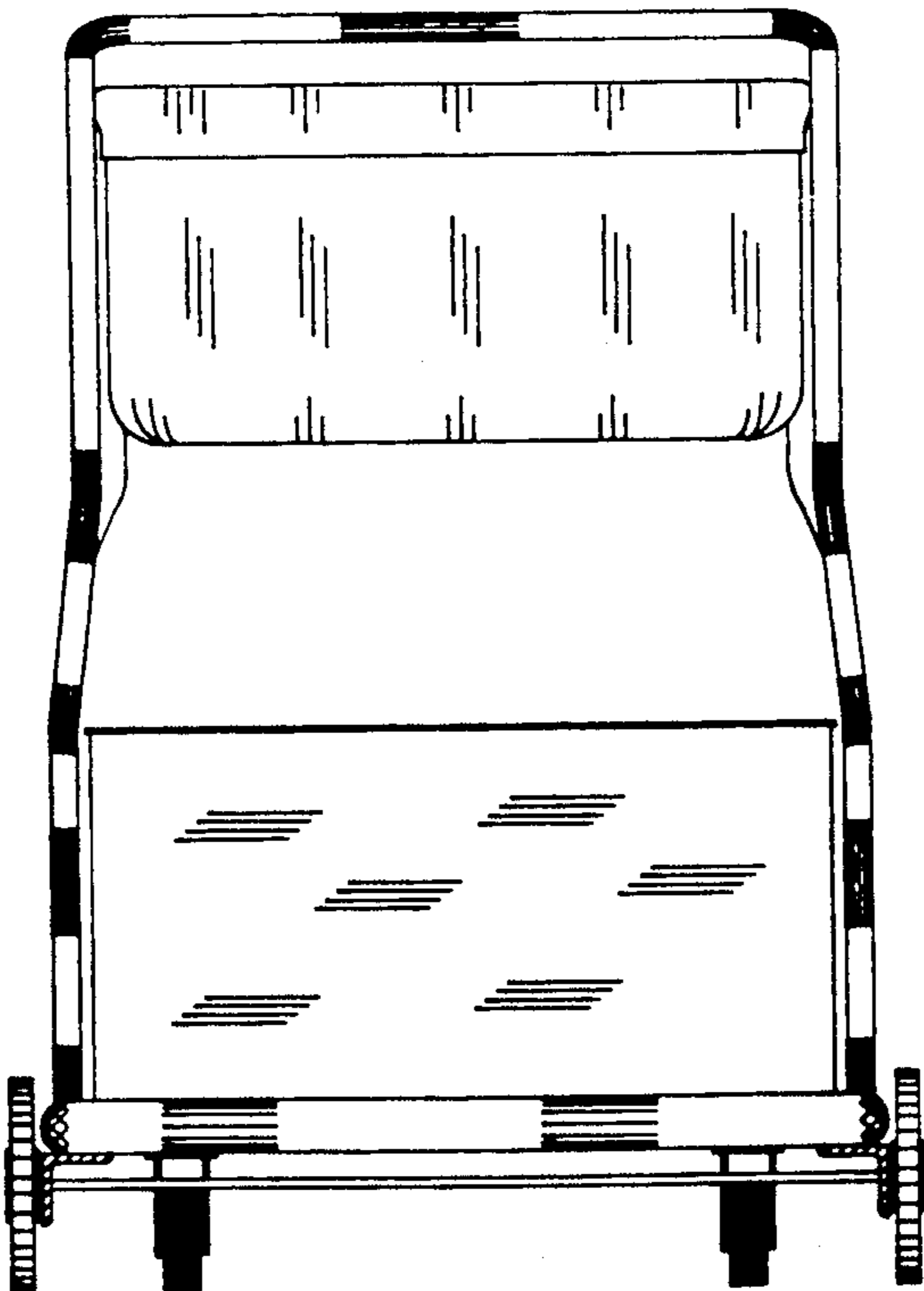


FIG. 5

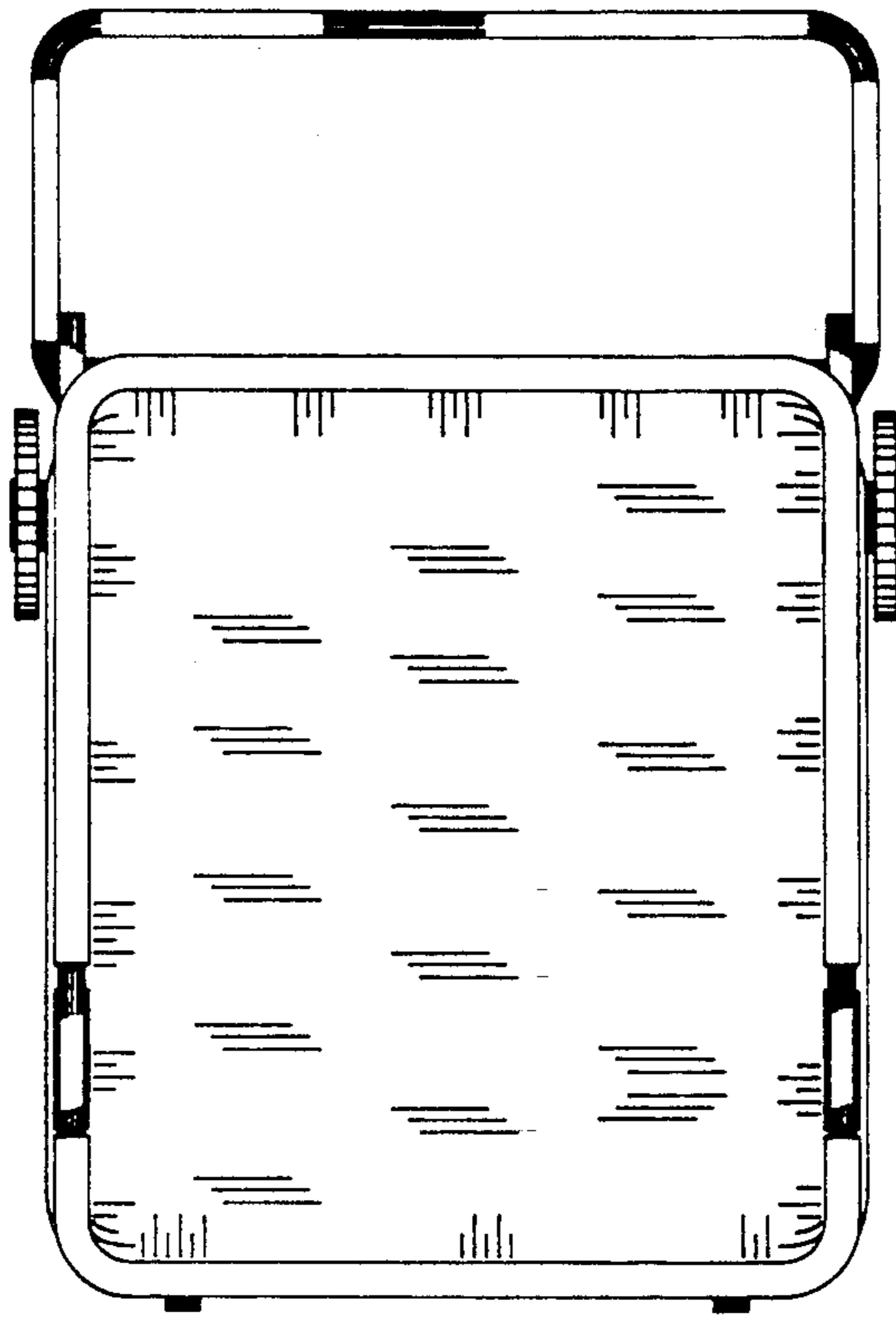


FIG. 6

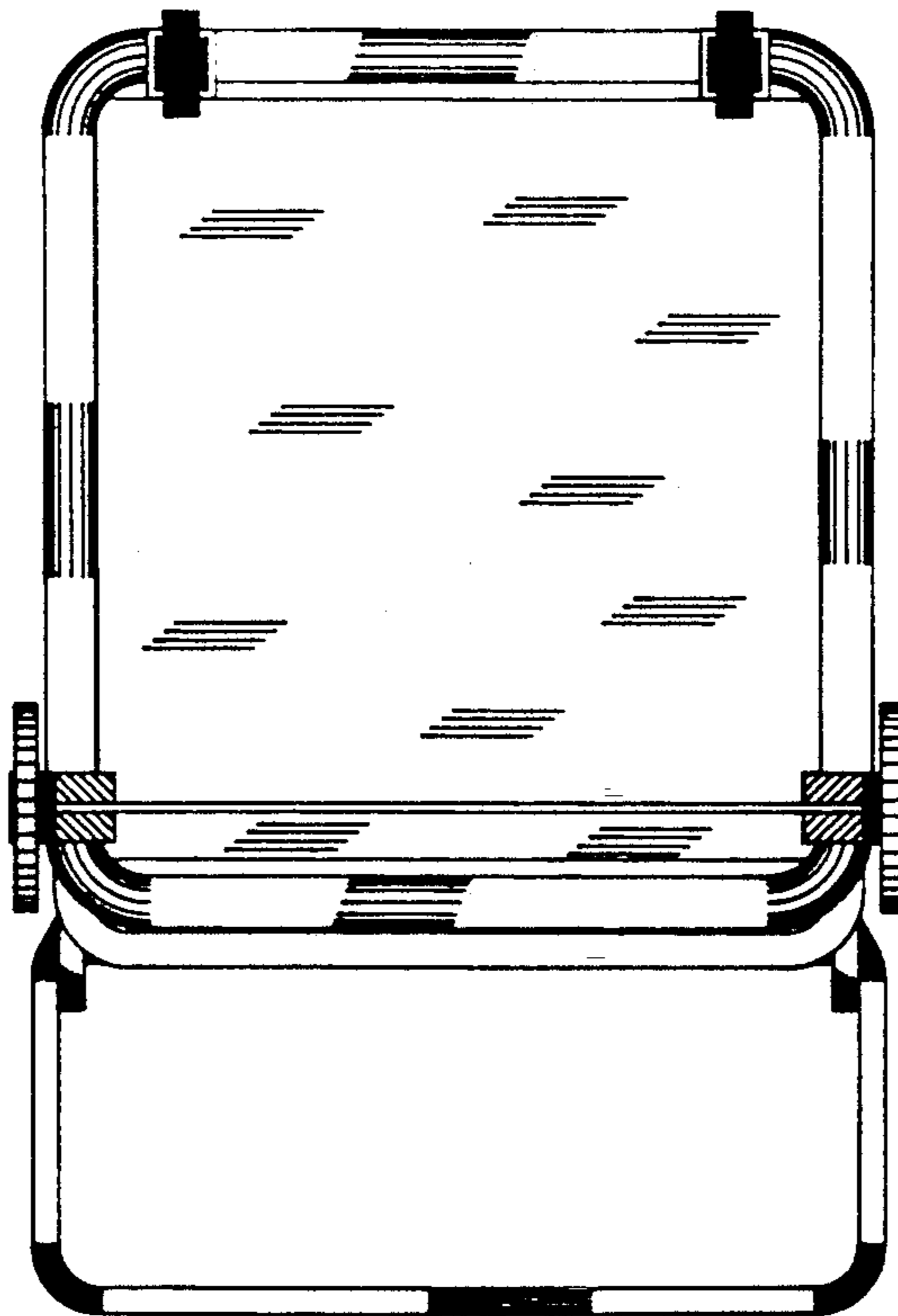


FIG. 7