



US00D325363S

United States Patent [19]

Yamada et al.

[11] Patent Number: Des. 325,363

[45] Date of Patent: ** Apr. 14, 1992

[54] MOTORCYCLE

[75] Inventors: Hajime Yamada, Fujimi; Shuichi Etoh, Kamifukuoka; Munehiro Sugimoto, Fujimi, all of Japan

[73] Assignee: Honda Giken Kogyo Kabushiki Kaisha, Tokyo, Japan

[**] Term: 14 Years

[21] Appl. No.: 454,866

[22] Filed: Dec. 20, 1989

[30] Foreign Application Priority Data

Jun. 23, 1989 [JP] Japan 1-23383
Aug. 23, 1989 [JP] Japan 1-30718

[52] U.S. Cl. D12/110

[58] Field of Search D12/110; 180/219

[56] References Cited

U.S. PATENT DOCUMENTS

- D. 285,185 8/1986 Morioka et al. .
- D. 298,114 10/1988 Abe et al. .
- D. 299,446 1/1989 Kohama et al. .
- D. 299,447 1/1989 Sakuma et al. .
- 4,796,719 1/1989 Shiratsuchi .

OTHER PUBLICATIONS

Cycle World, Oct. 1988, p. 28, The Kawasaki 2X-10 and Honda 1000 Hurricane Motorcycles.

Cycle World, Dec. 1988, p. 43, The Suzuki GSX-R1100 and Katana 750 Motorcycles.

Cycle World, Sep. 1989, p. 35, The Suzuki Katana 600.

Primary Examiner—James M. Gandy

Assistant Examiner—Melody Brown

Attorney, Agent, or Firm—Armstrong, Nikaido, Marmelstein, Kubovcik & Murray

[57] CLAIM

The ornamental design for a motorcycle, as shown and described.

DESCRIPTION

FIG. 1 is a right side elevation view of a motorcycle showing our new design;

FIG. 2 is a left side elevation view thereof;

FIG. 3 is a top plan view thereof;

FIG. 4 is a bottom plan view thereof;

FIG. 5 is a front elevation view thereof;

FIG. 6 is a rear elevation view thereof;

FIG. 7 is a right side elevation view of a motorcycle showing a second embodiment of our new design;

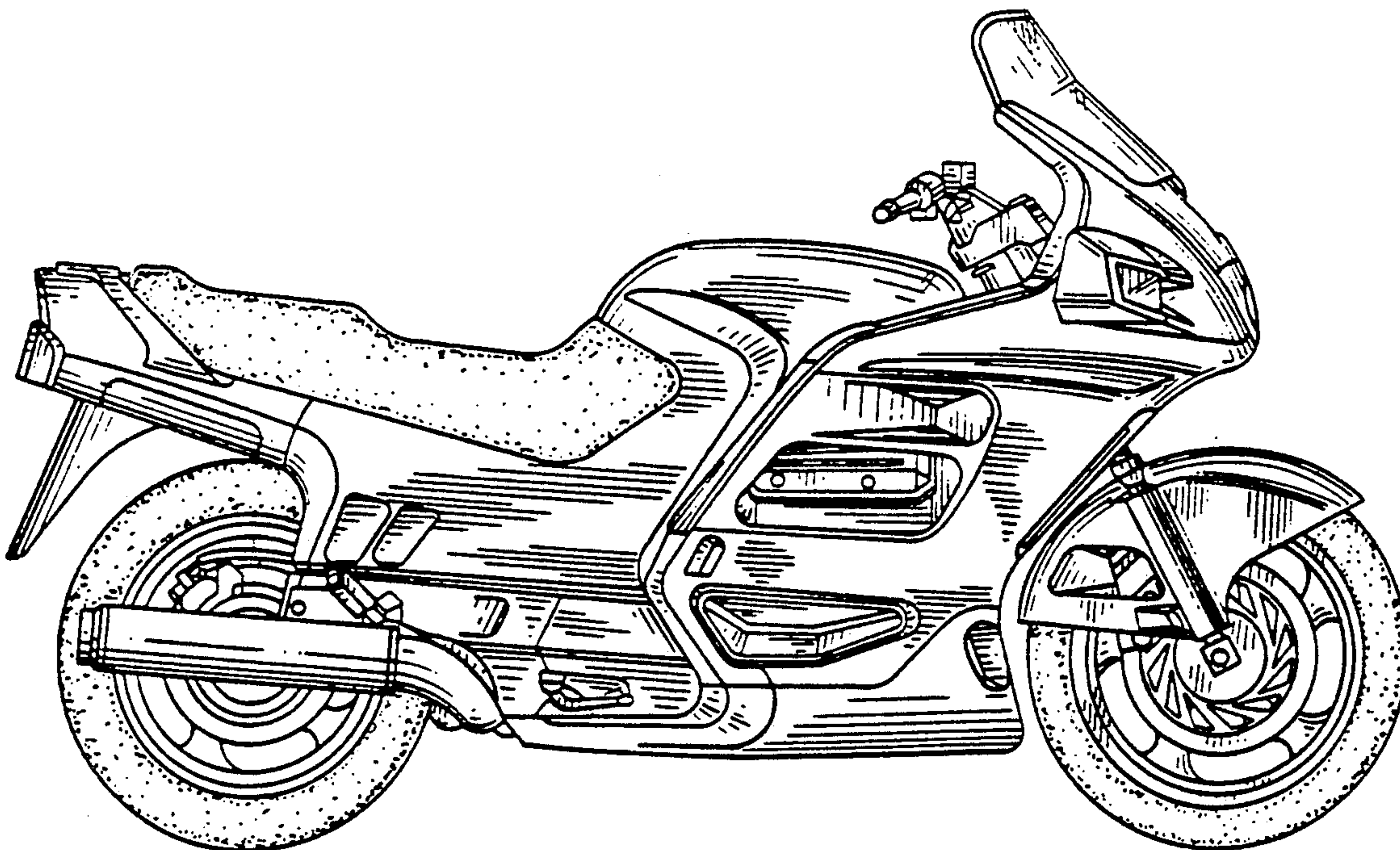
FIG. 8 is a left side elevation view of FIG. 7;

FIG. 9 is a top plan view of FIG. 7;

FIG. 10 is a bottom plan view of FIG. 7;

FIG. 11 is a front elevation view of FIG. 7; and,

FIG. 12 is a rear elevation view of FIG. 7.



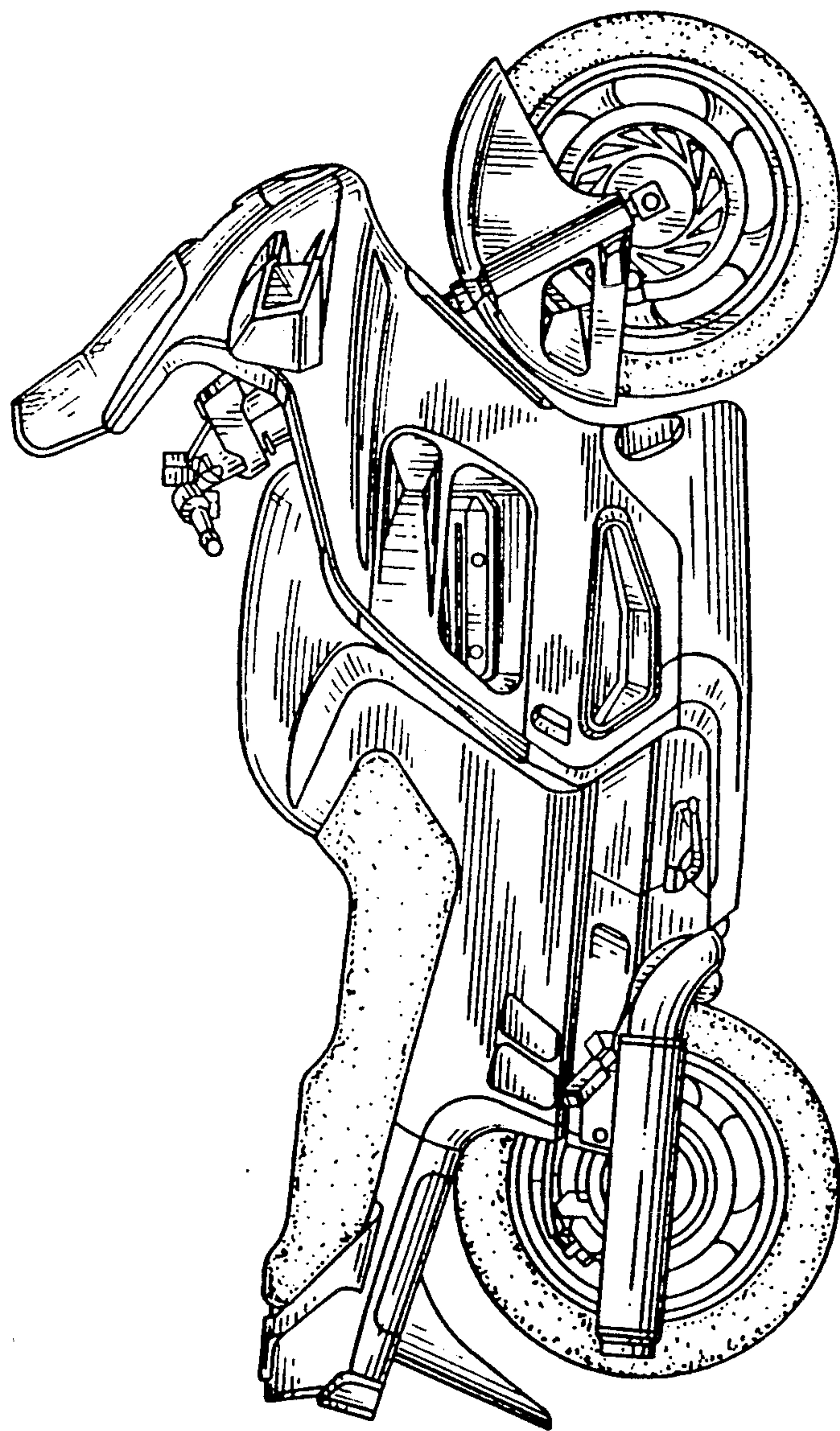


FIG. 1

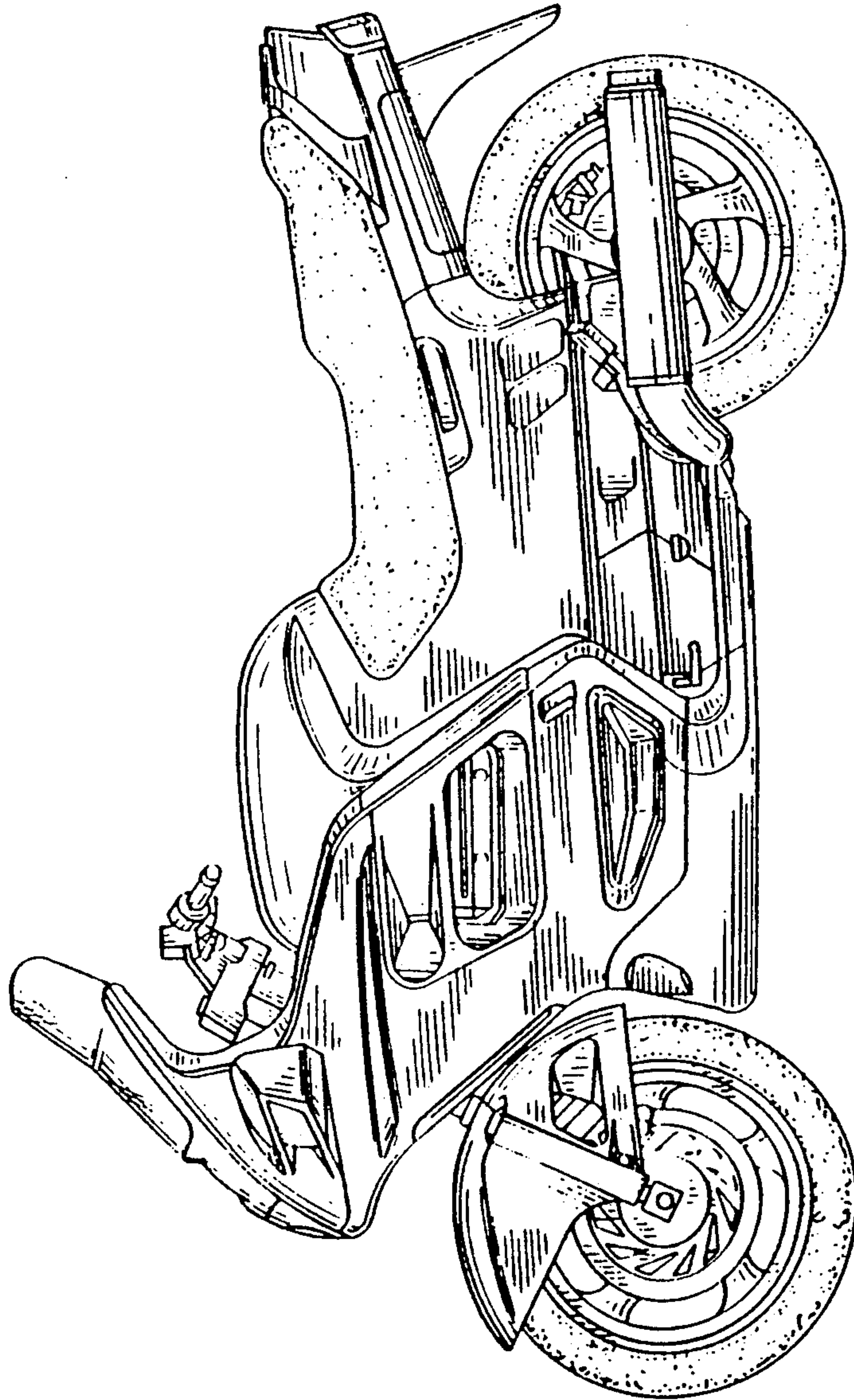


FIG. 2

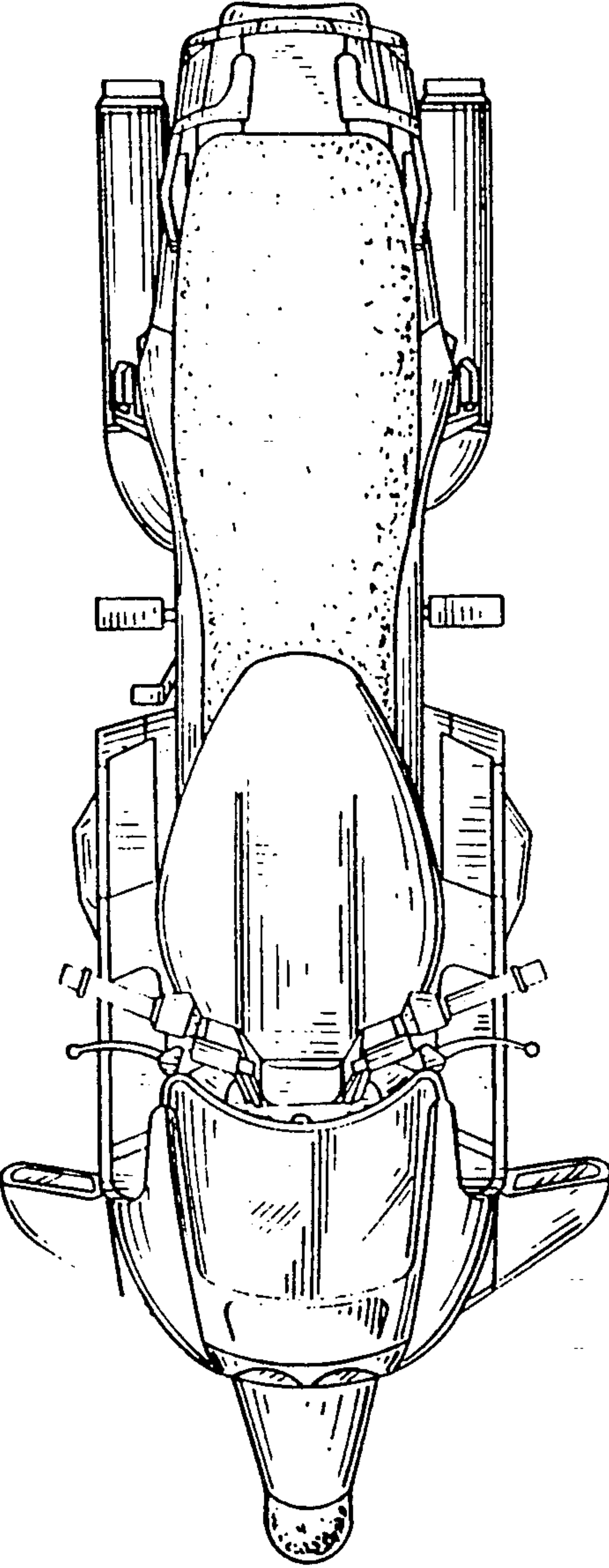


FIG. 3

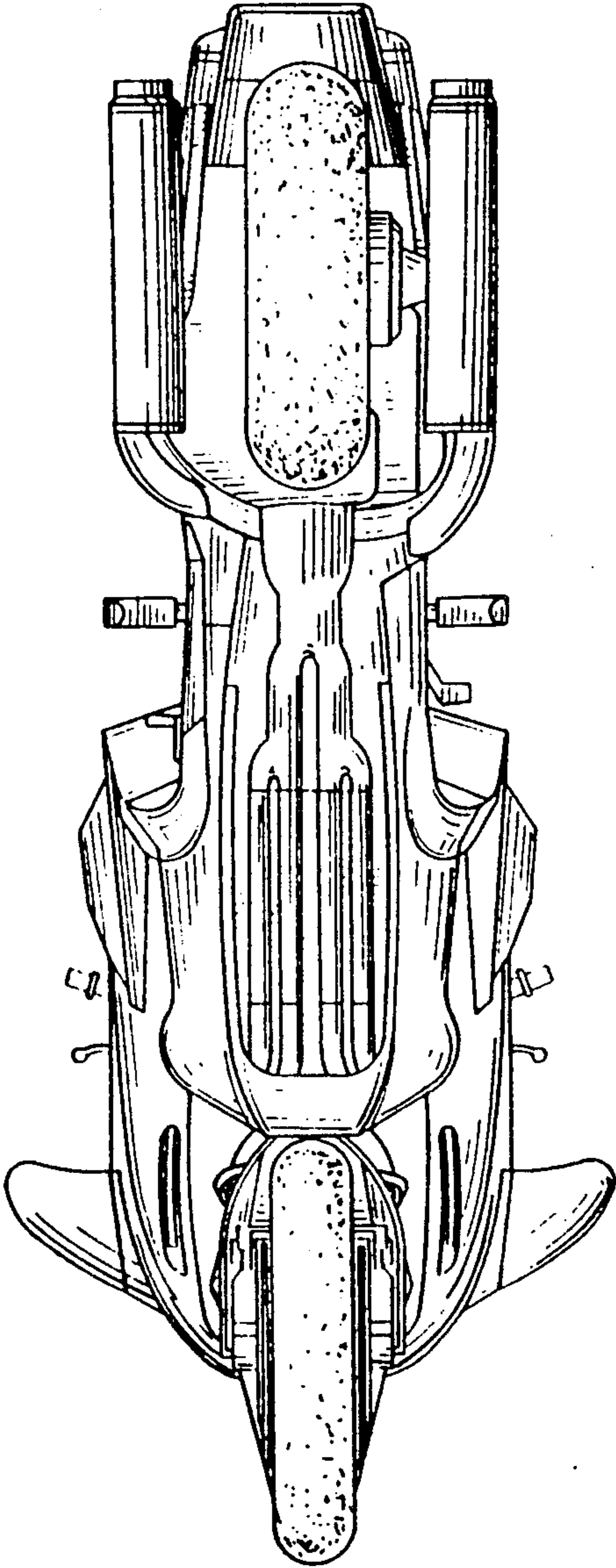


FIG. 4

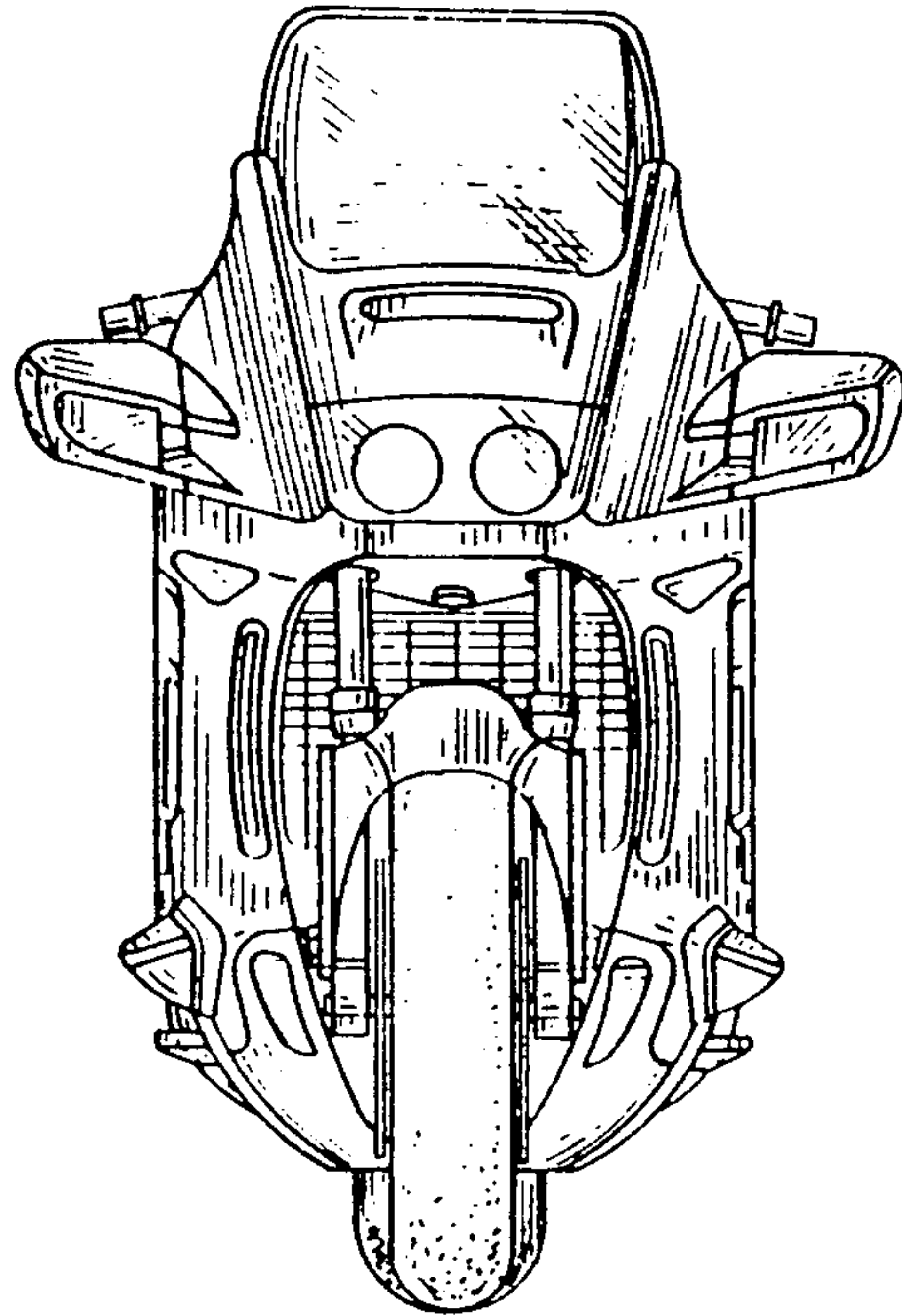


FIG. 5

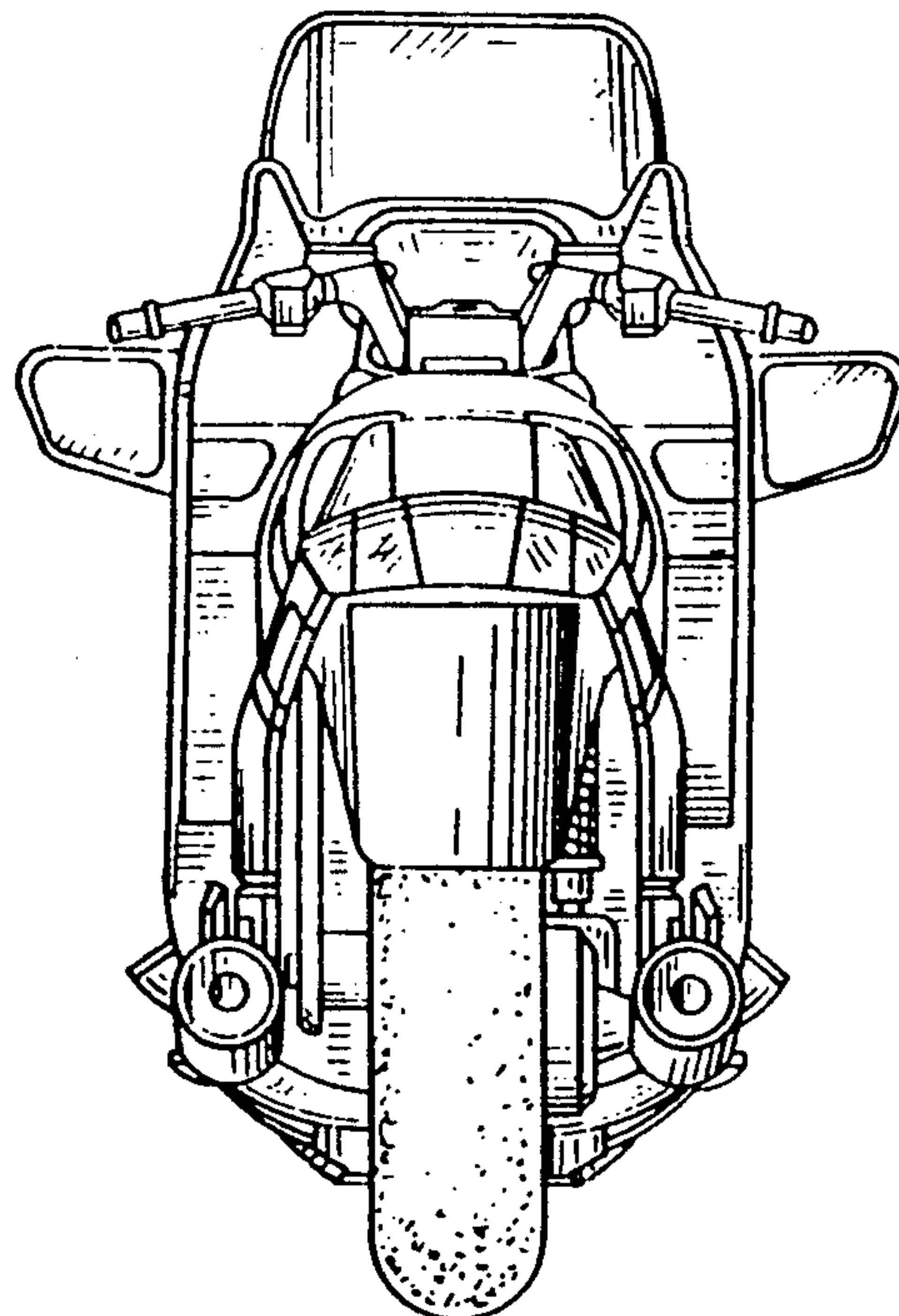


FIG. 6

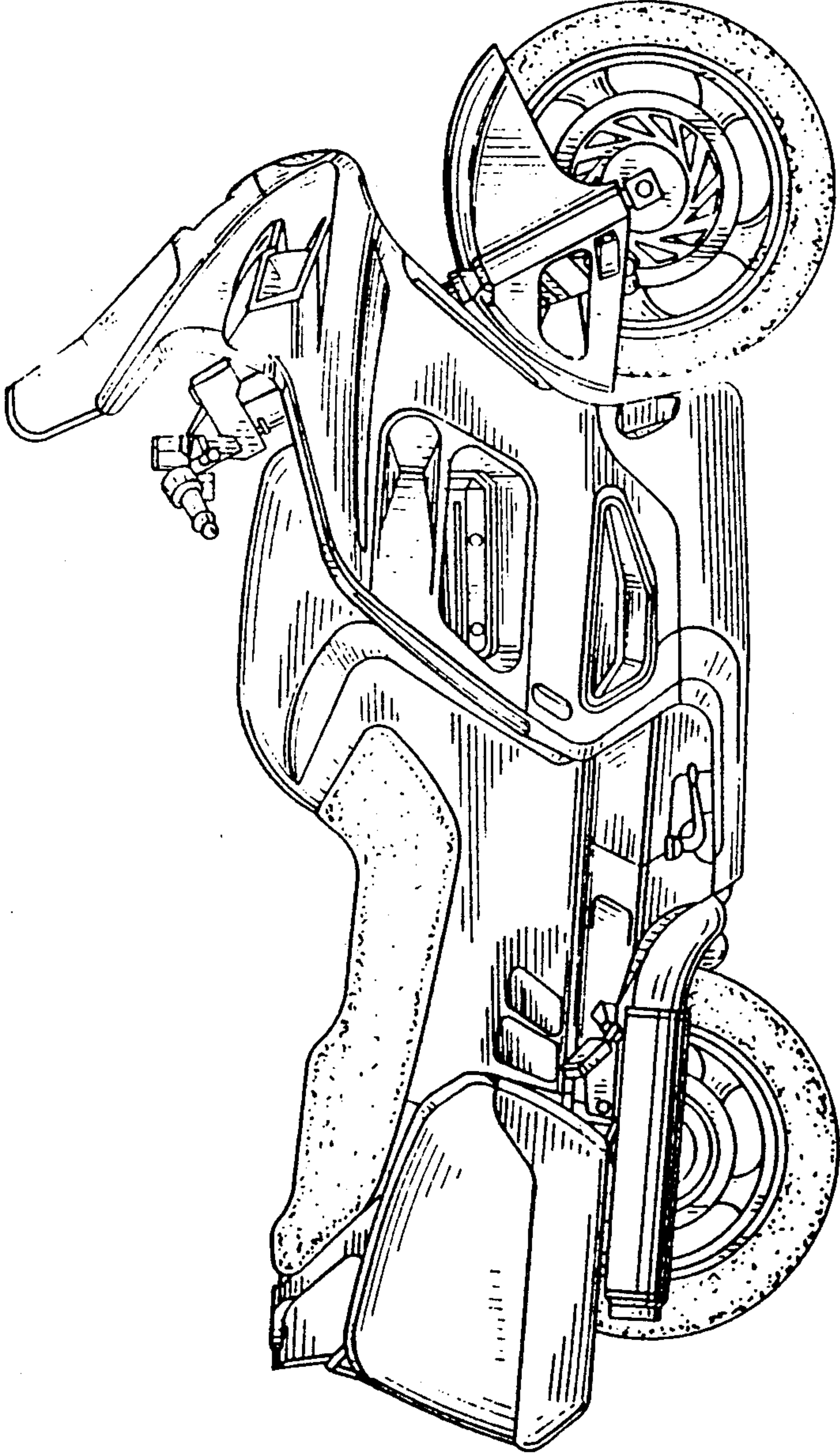


FIG. 7

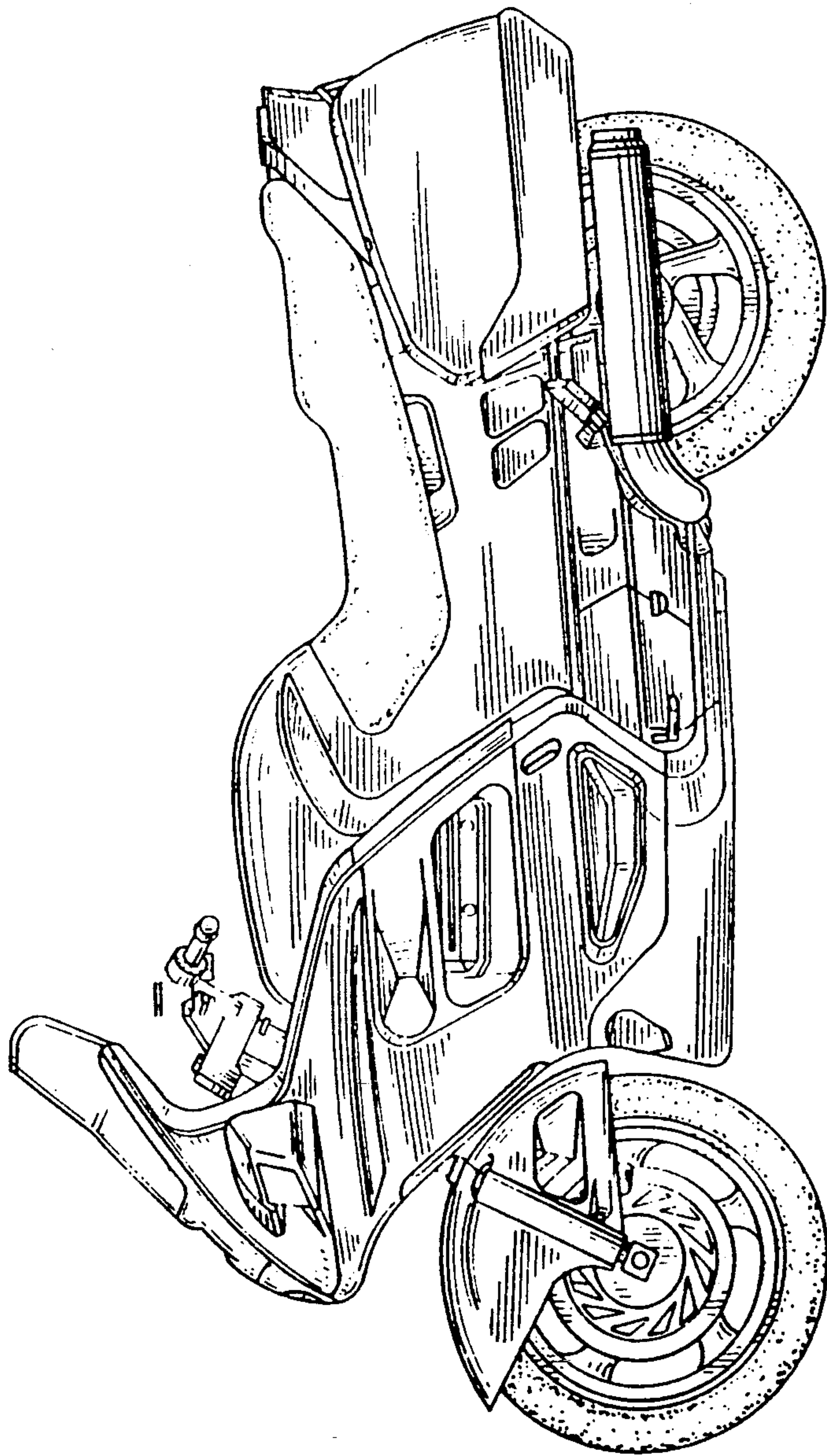


FIG. 8

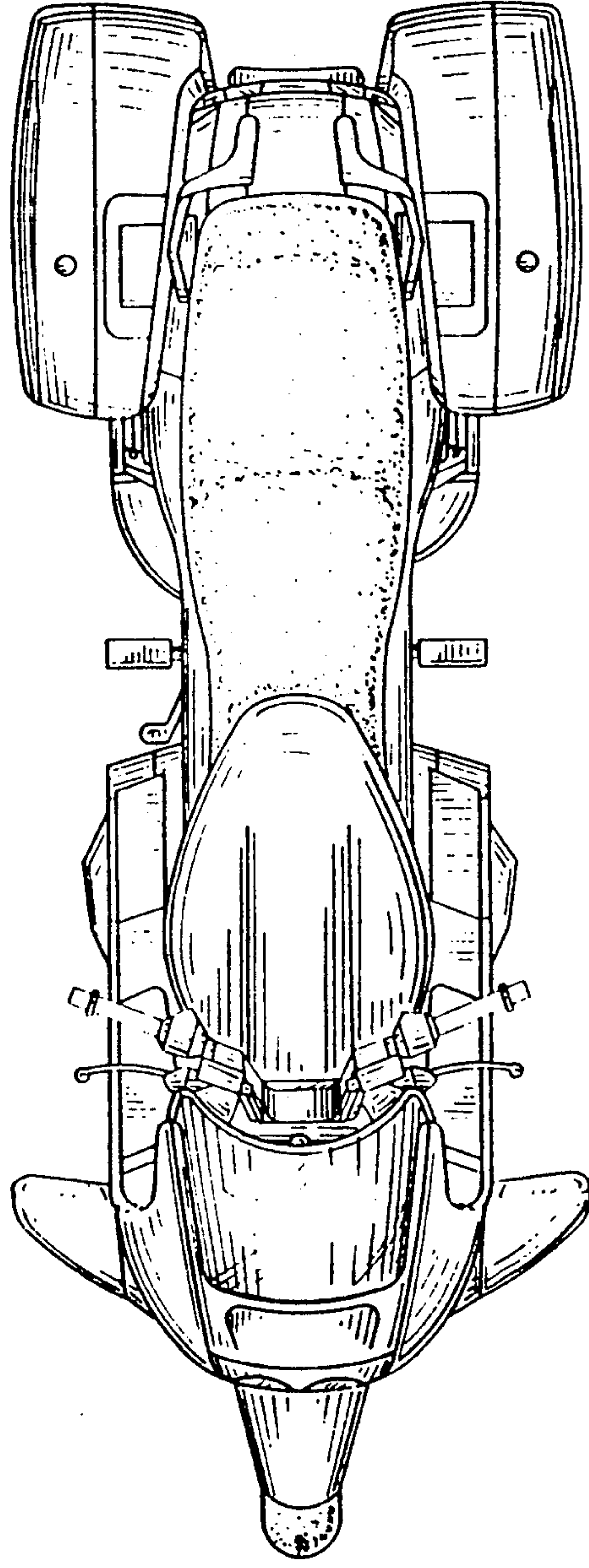


FIG. 9

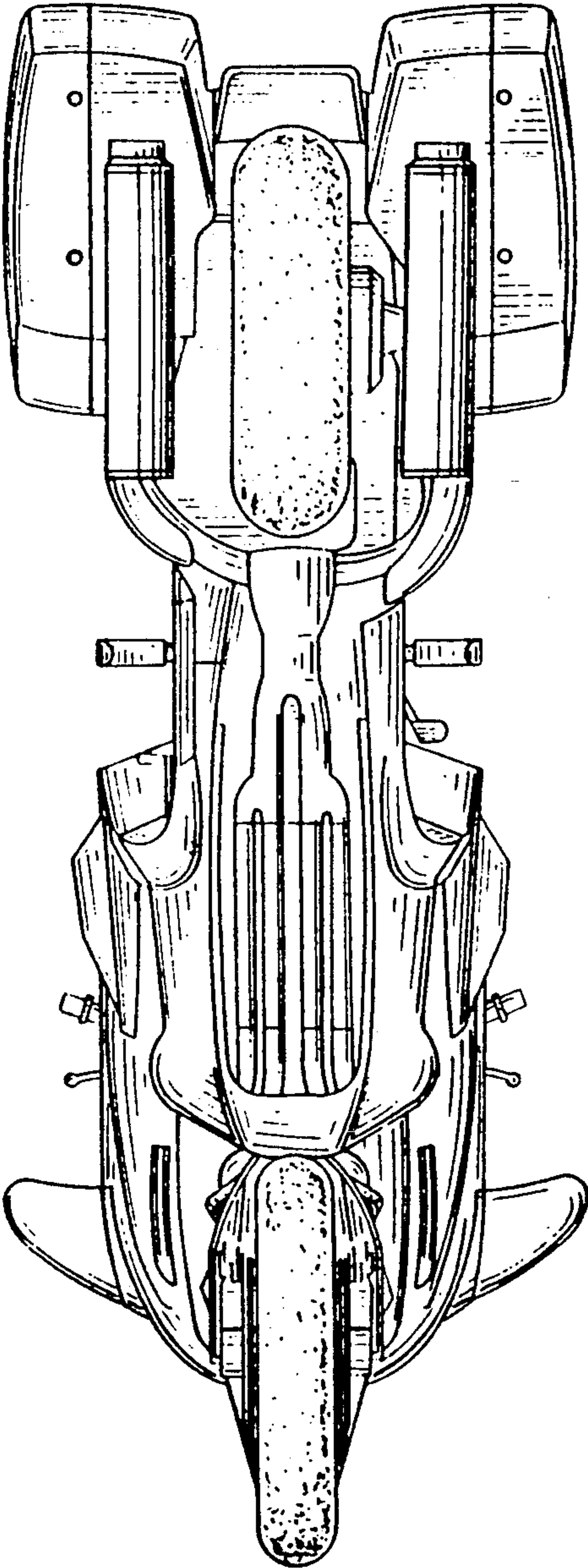


FIG. 10

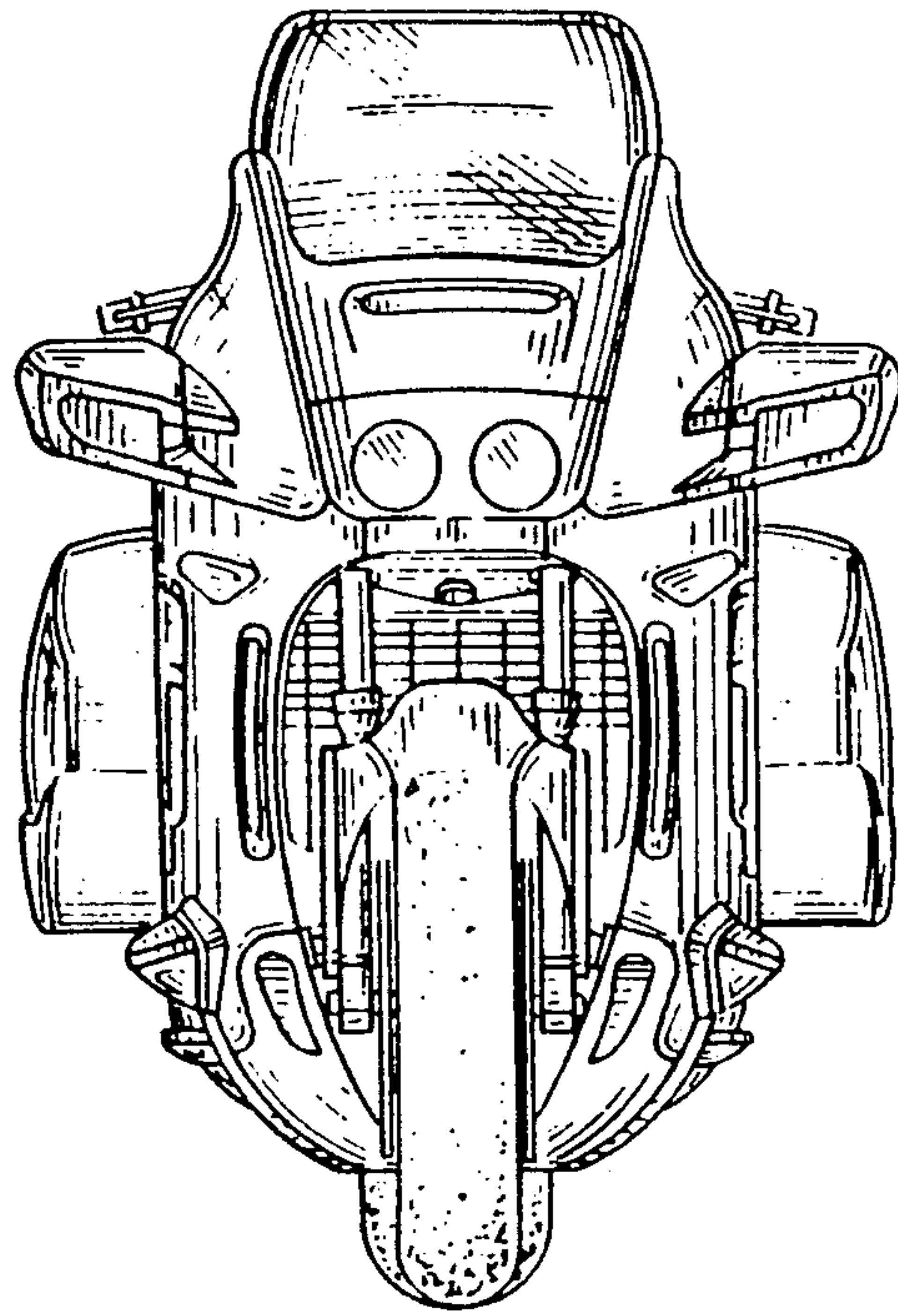


FIG. 11

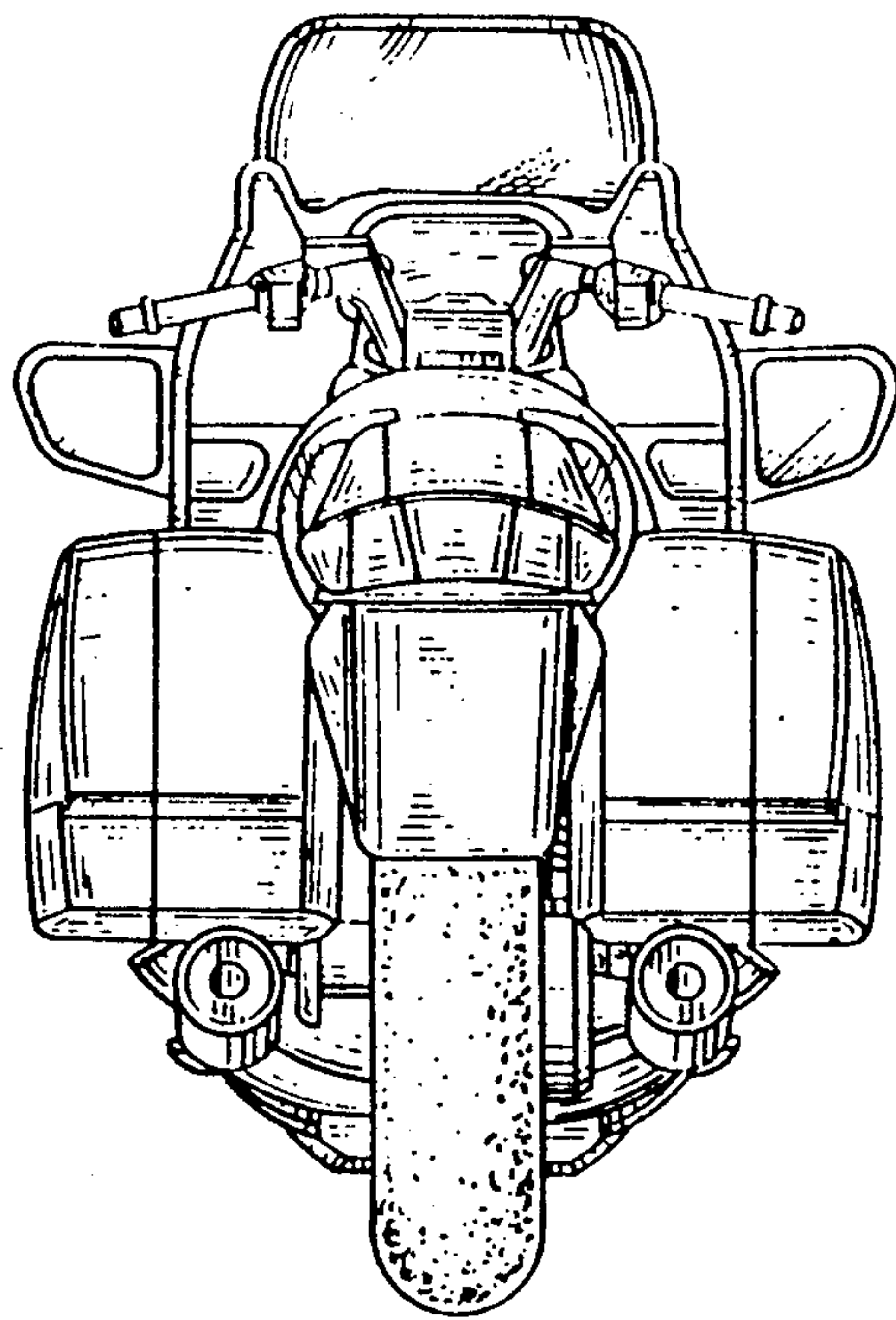


FIG. 12