



US00D325362S

United States Patent [19]

[11] Patent Number: Des. 325,362

Mogi et al.

[45] Date of Patent: ** Apr. 14, 1992

[54] MOTORCYCLE

[75] Inventors: Tomonori Mogi, Saitama; Akira Kamata, Tokyo; Kazuhiro Sakamoto; Yasuharu Ishino, both of Saitama, all of Japan

[73] Assignee: Honda Giken Kogyo Kabushiki Kaisha, Tokyo, Japan

[**] Term: 14 Years

[21] Appl. No.: 420,398

[22] Filed: Oct. 12, 1989

[30] Foreign Application Priority Data

Apr. 14, 1989 [JP] Japan 1-13836
[52] U.S. Cl. D12/110
[58] Field of Search D12/110; 280/219

[56] References Cited

U.S. PATENT DOCUMENTS

D. 299,120 12/1988 Tamura et al. D12/110
D. 314,536 2/1991 Yeh D12/110

FOREIGN PATENT DOCUMENTS

0322305 6/1989 European Pat. Off. 180/219

OTHER PUBLICATIONS

Cycle World, Dec. 1988, p. 41, Honda Elite 250 Motor Scooter.

Cycle World, Oct. 1971, p. 62, The Suzuki Roto Trail Motorcycle.

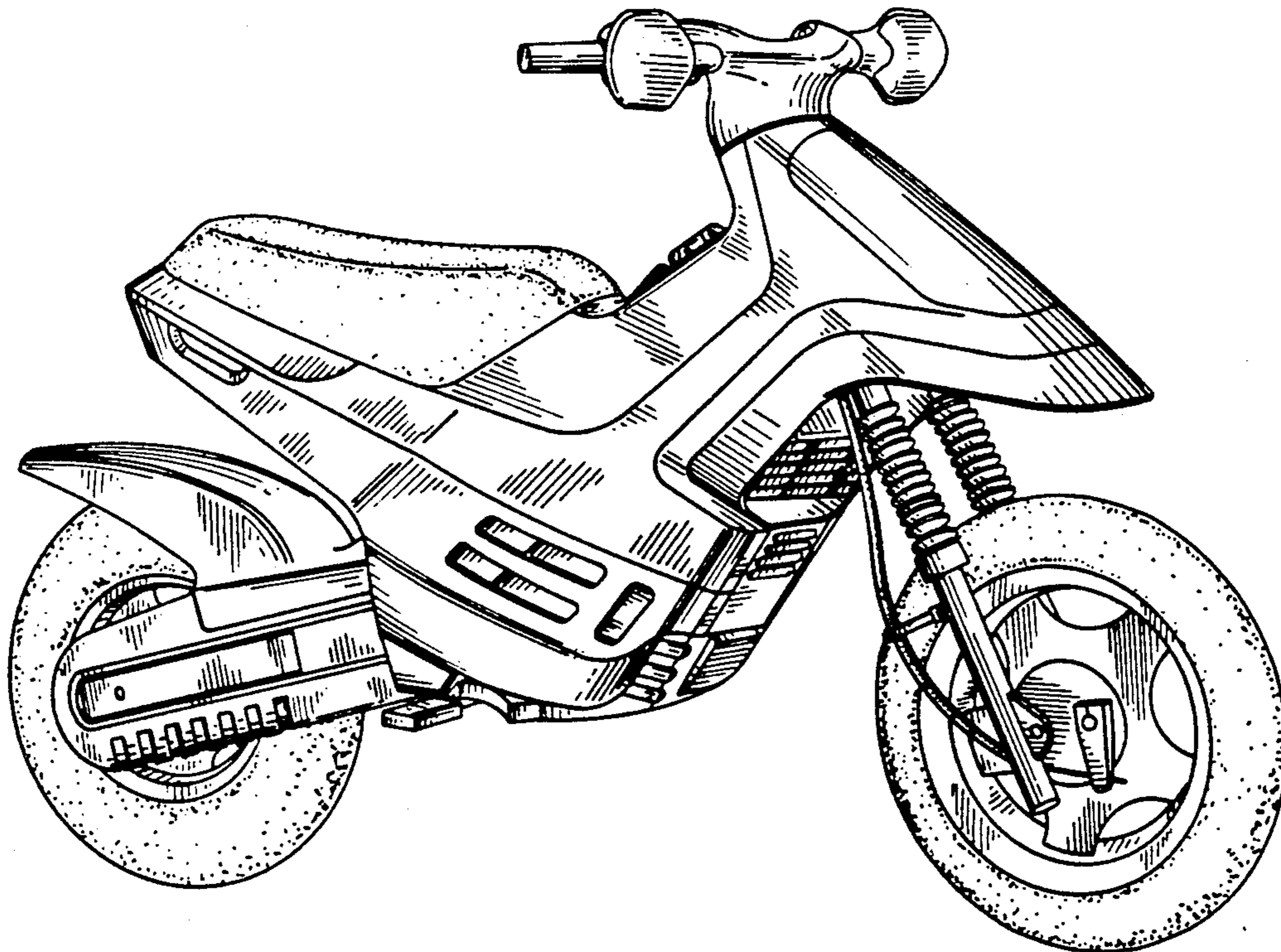
Primary Examiner—James M. Gandy
Assistant Examiner—Melody Brown
Attorney, Agent, or Firm—Armstrong, Nikaido, Marmelstein, Kubovcik & Murray

[57] CLAIM

The ornamental design for a motorcycle, as shown and described.

DESCRIPTION

FIG. 1 is a right front perspective view of a motorcycle showing our new design;
FIG. 2 is a right side elevation view thereof;
FIG. 3 is a front elevation view thereof;
FIG. 4 is a rear elevation view thereof;
FIG. 5 is a left side elevation view thereof;
FIG. 6 is a bottom plan view thereof, on a reduced scale;
FIG. 7 is a top plan view thereof, on a reduced scale;
FIG. 8 is a left front perspective view of a motorcycle showing a second embodiment of our new design;
FIG. 9 is a left side elevation view of FIG. 8;
FIG. 10 is a rear elevation view of FIG. 8;
FIG. 11 is a front elevation view of FIG. 8;
FIG. 12 is a right side elevation view of FIG. 8;
FIG. 13 is a bottom plan view of FIG. 8; and,
FIG. 14 is a top plan view of FIG. 8.



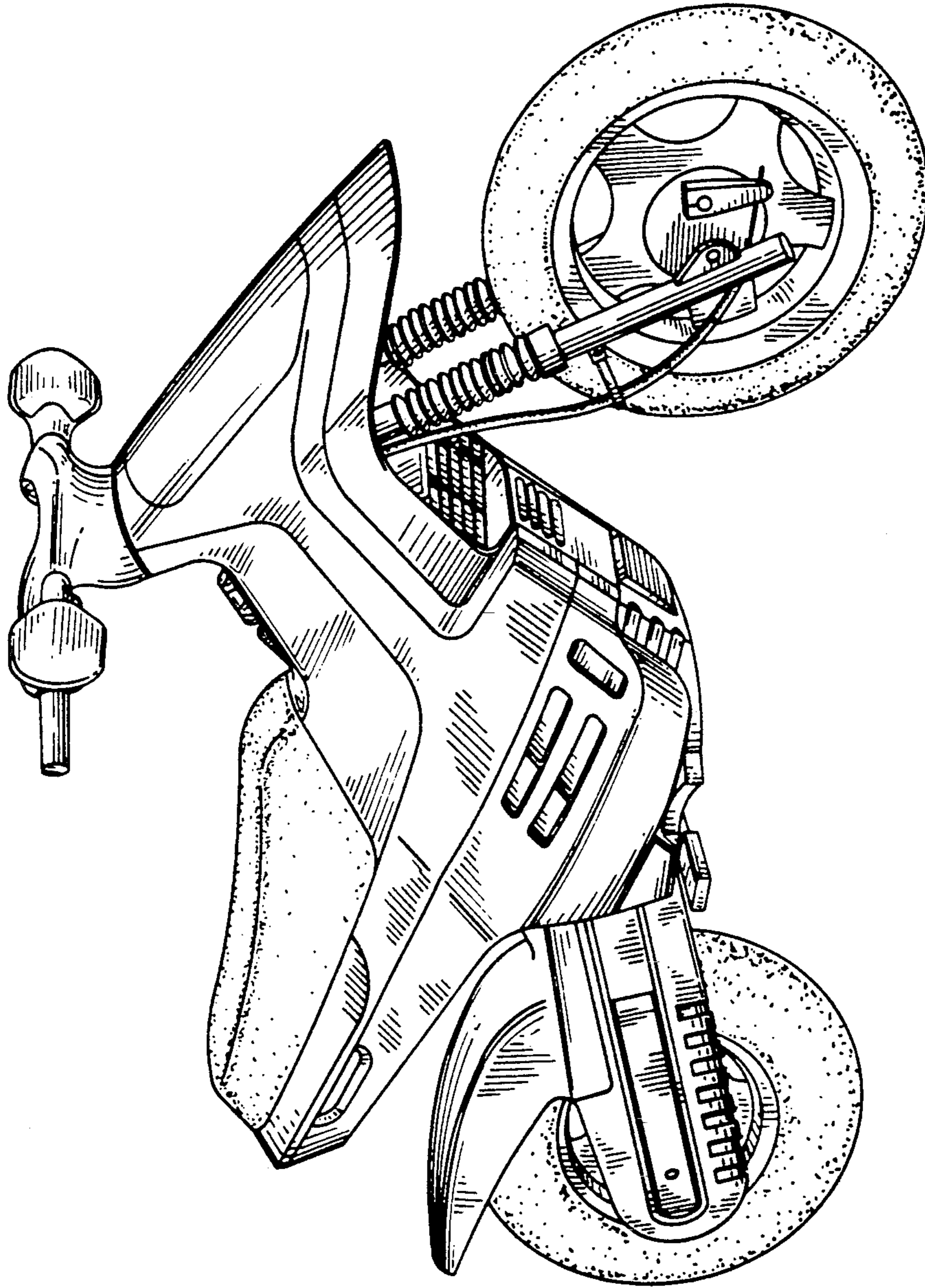


Fig. 1

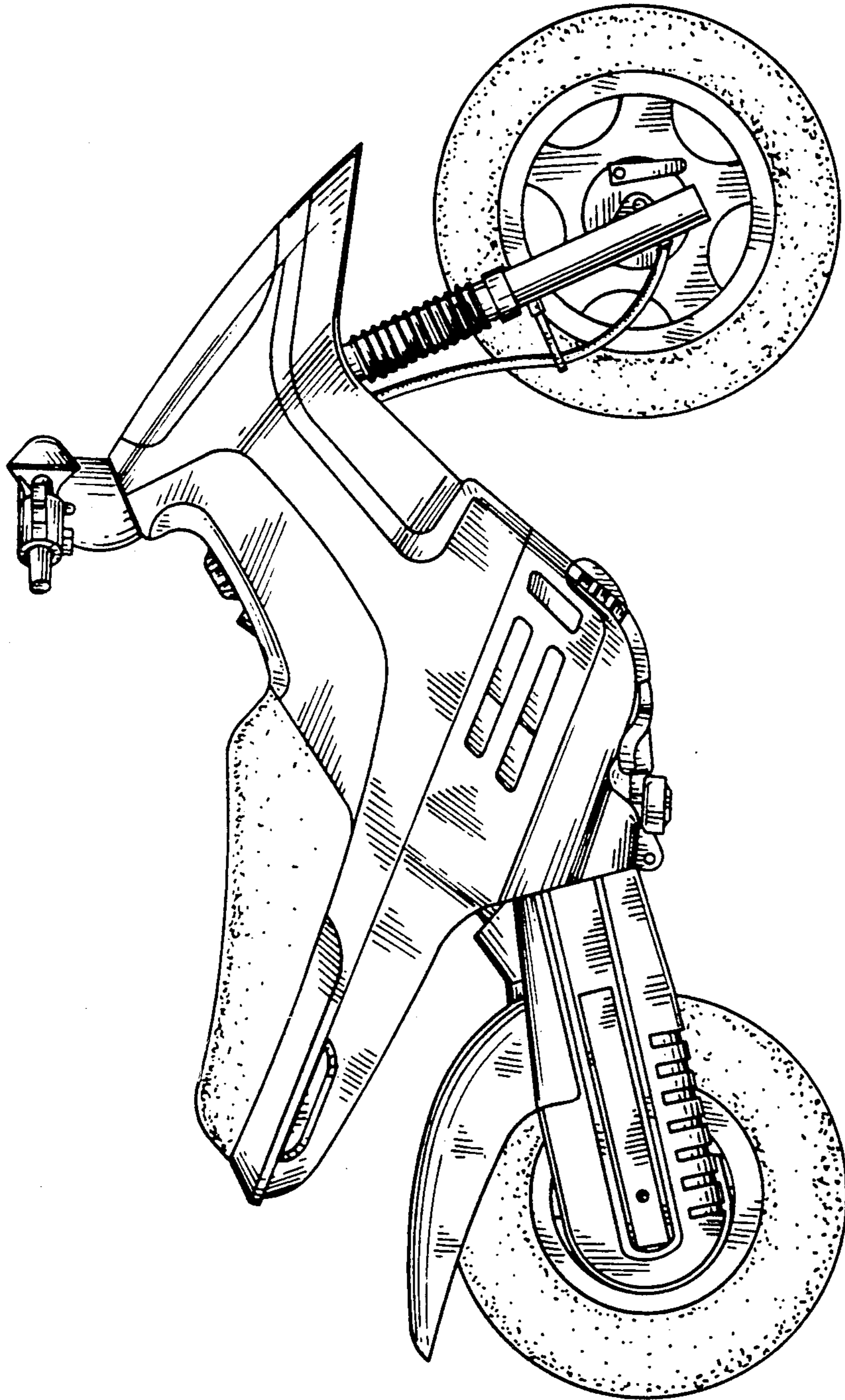


Fig. 2

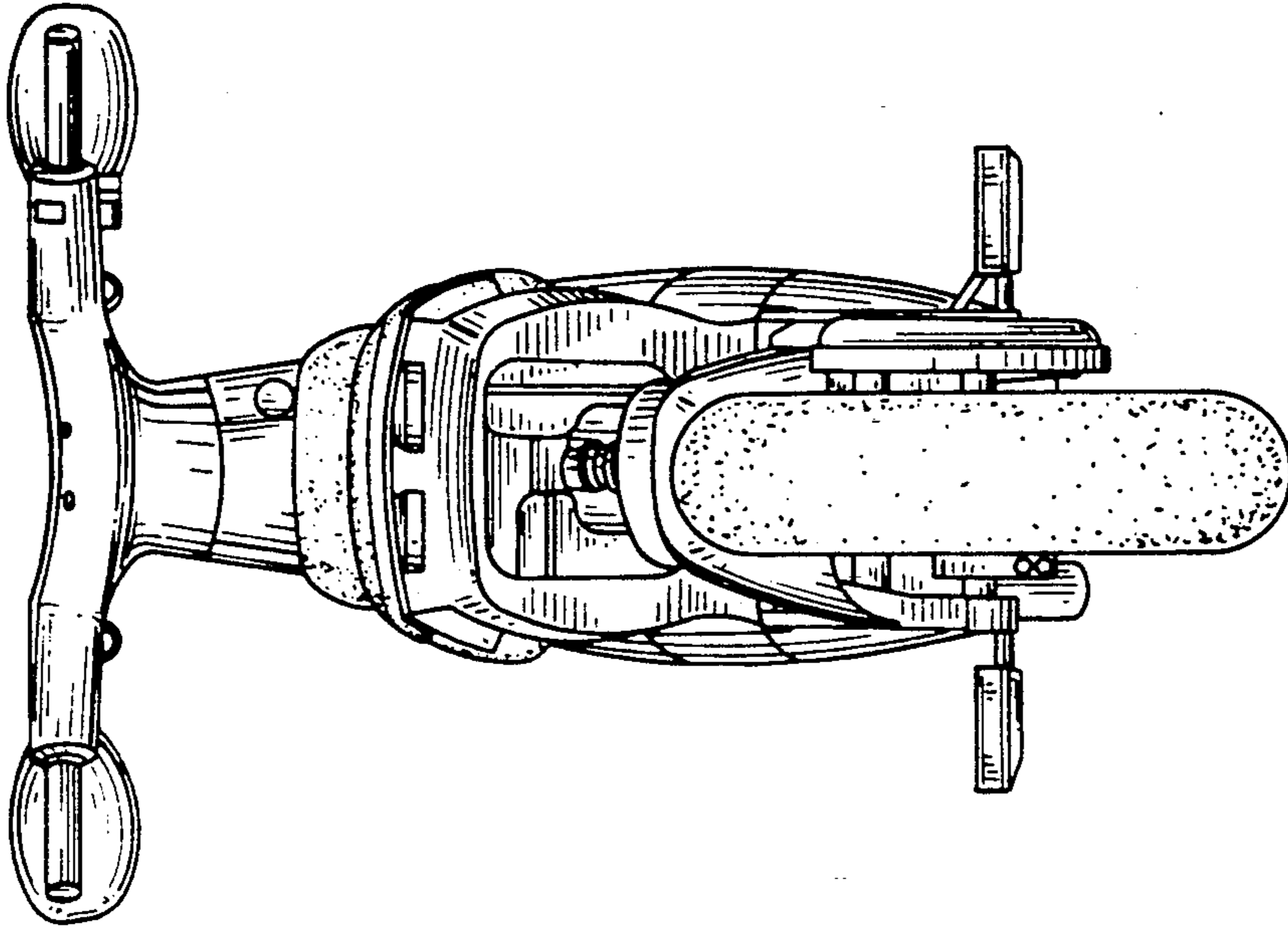


Fig. 4

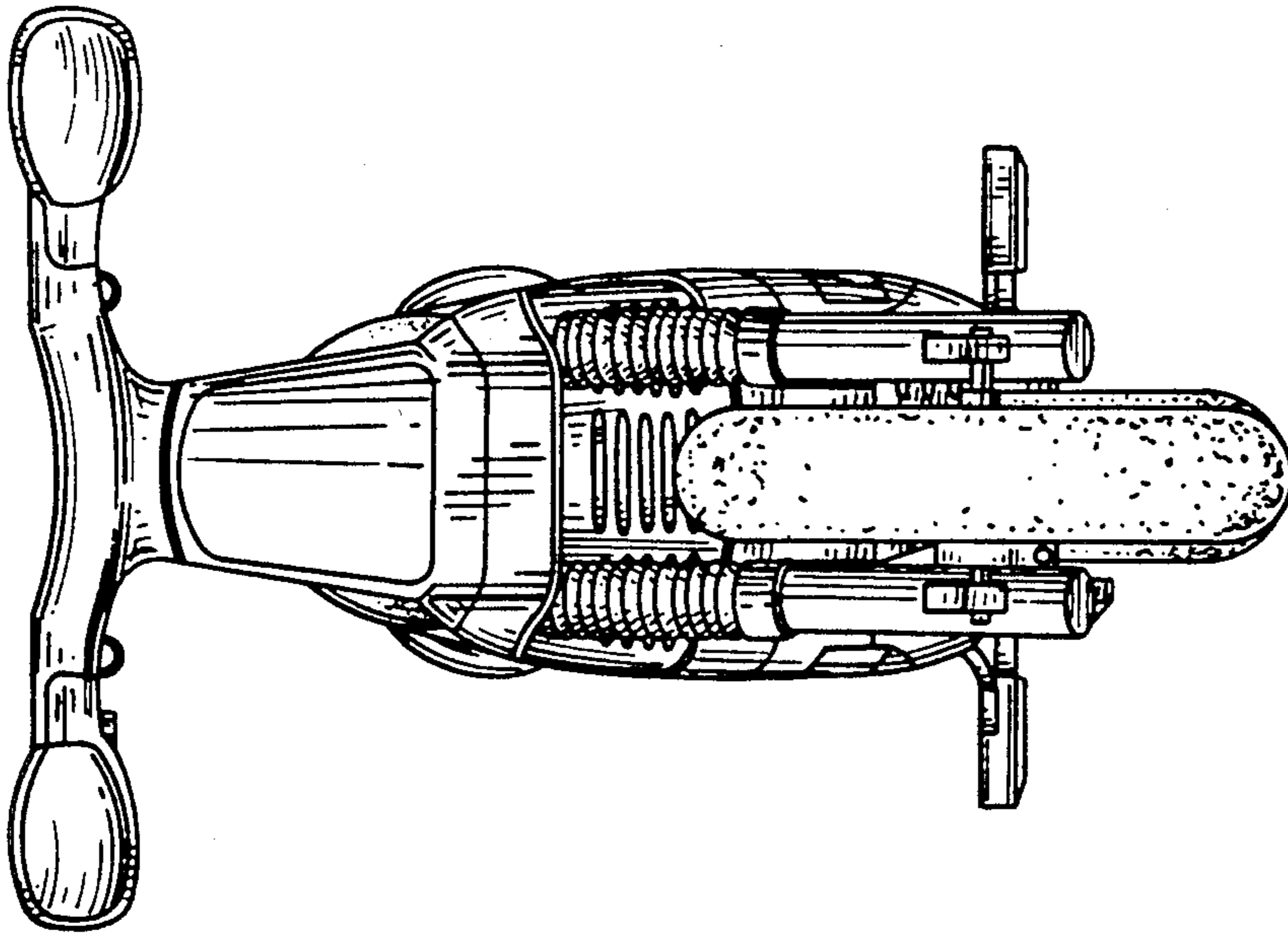


Fig. 3

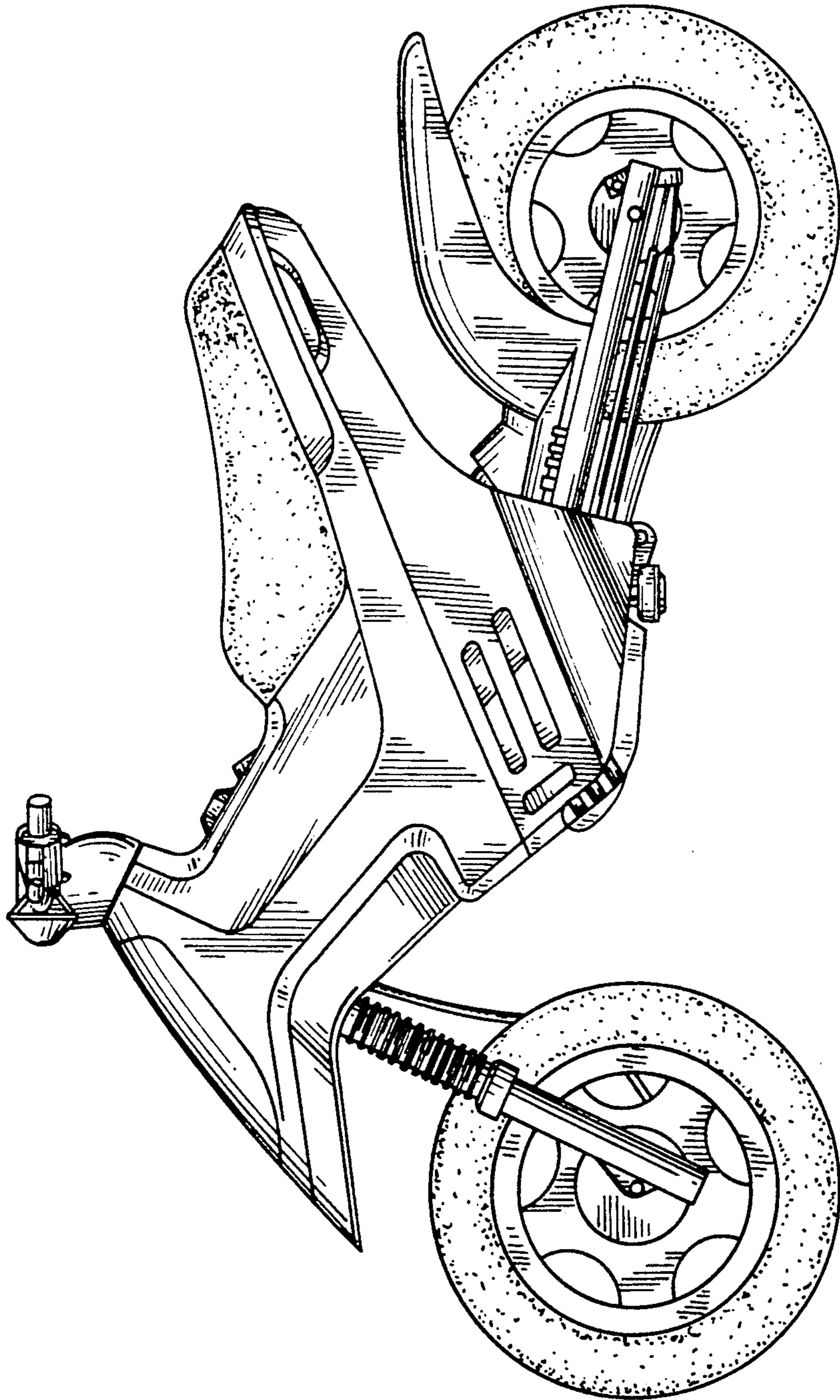


Fig. 5

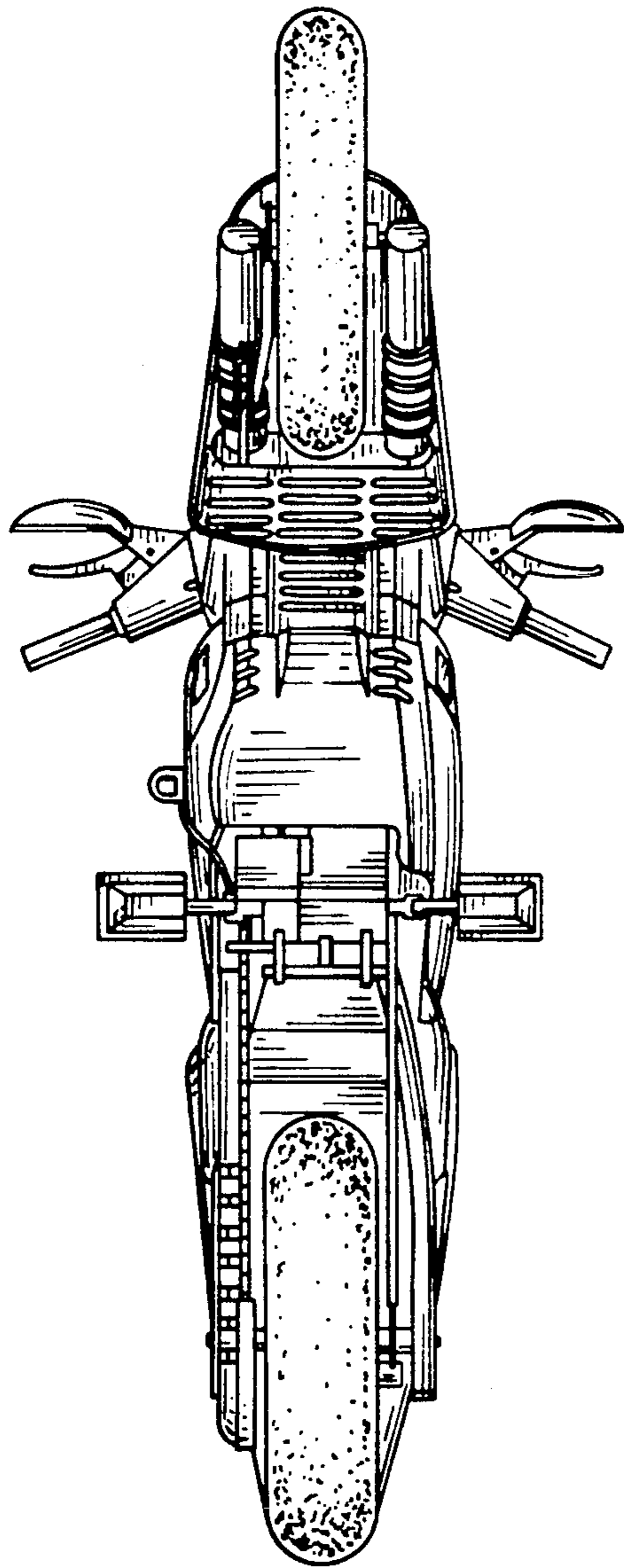


Fig. 6

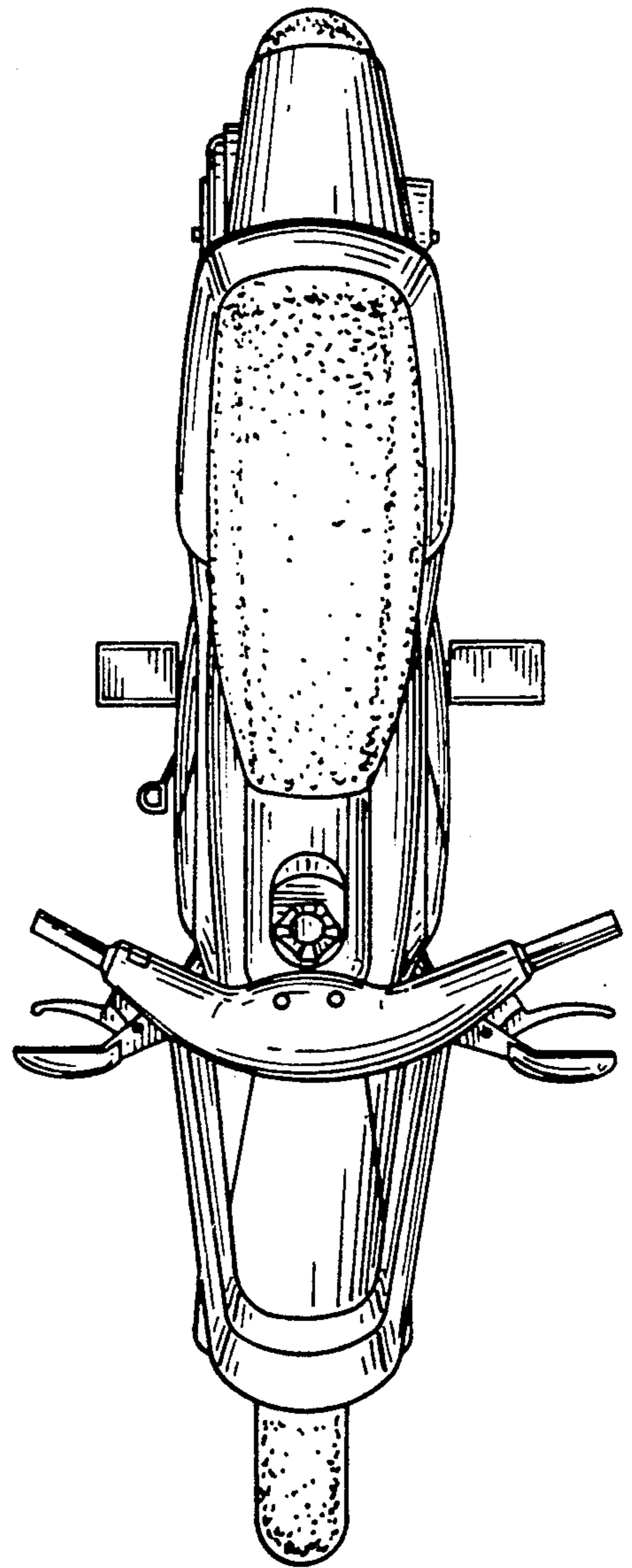


Fig. 7

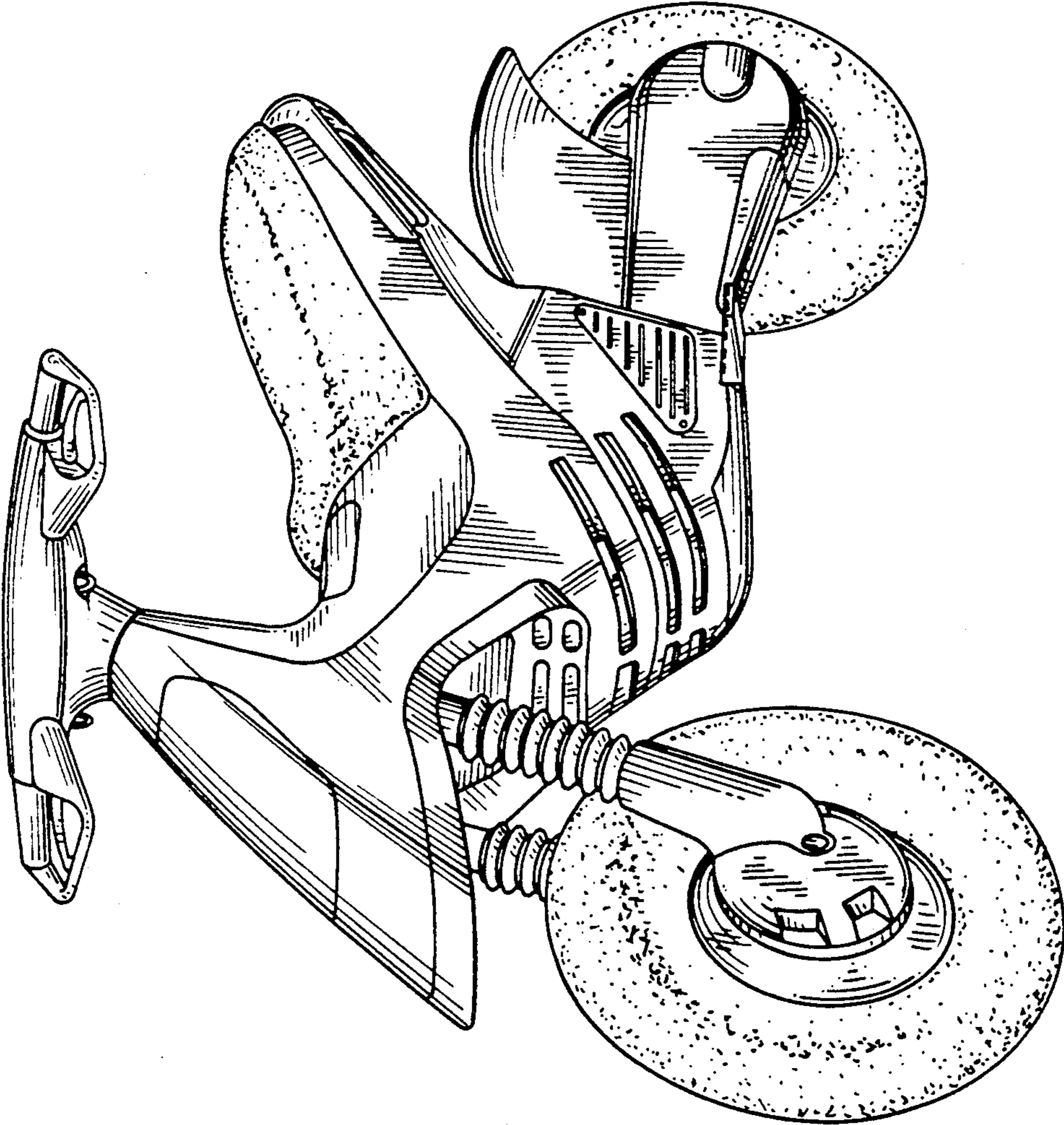


Fig. 8

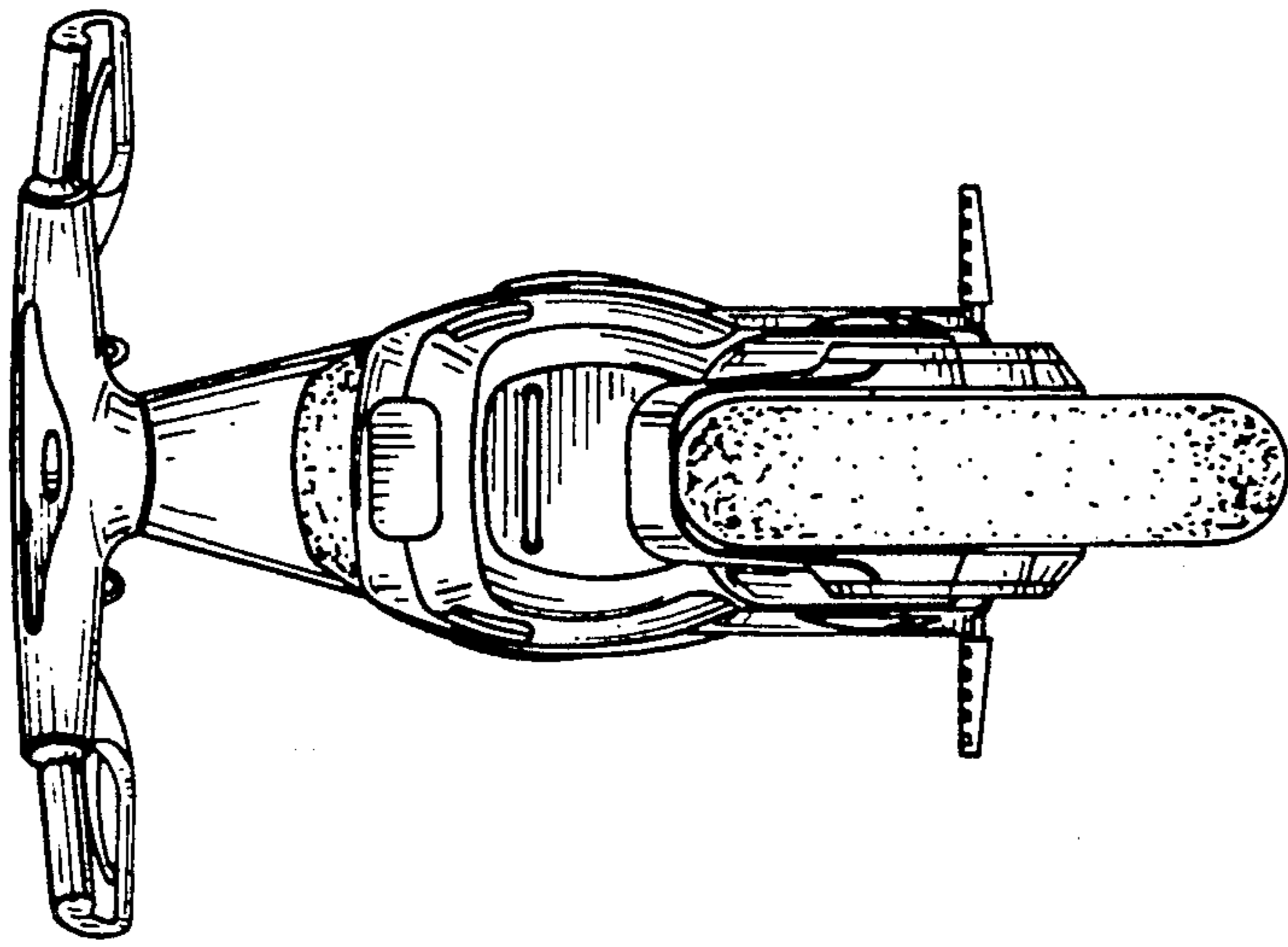


Fig. 10

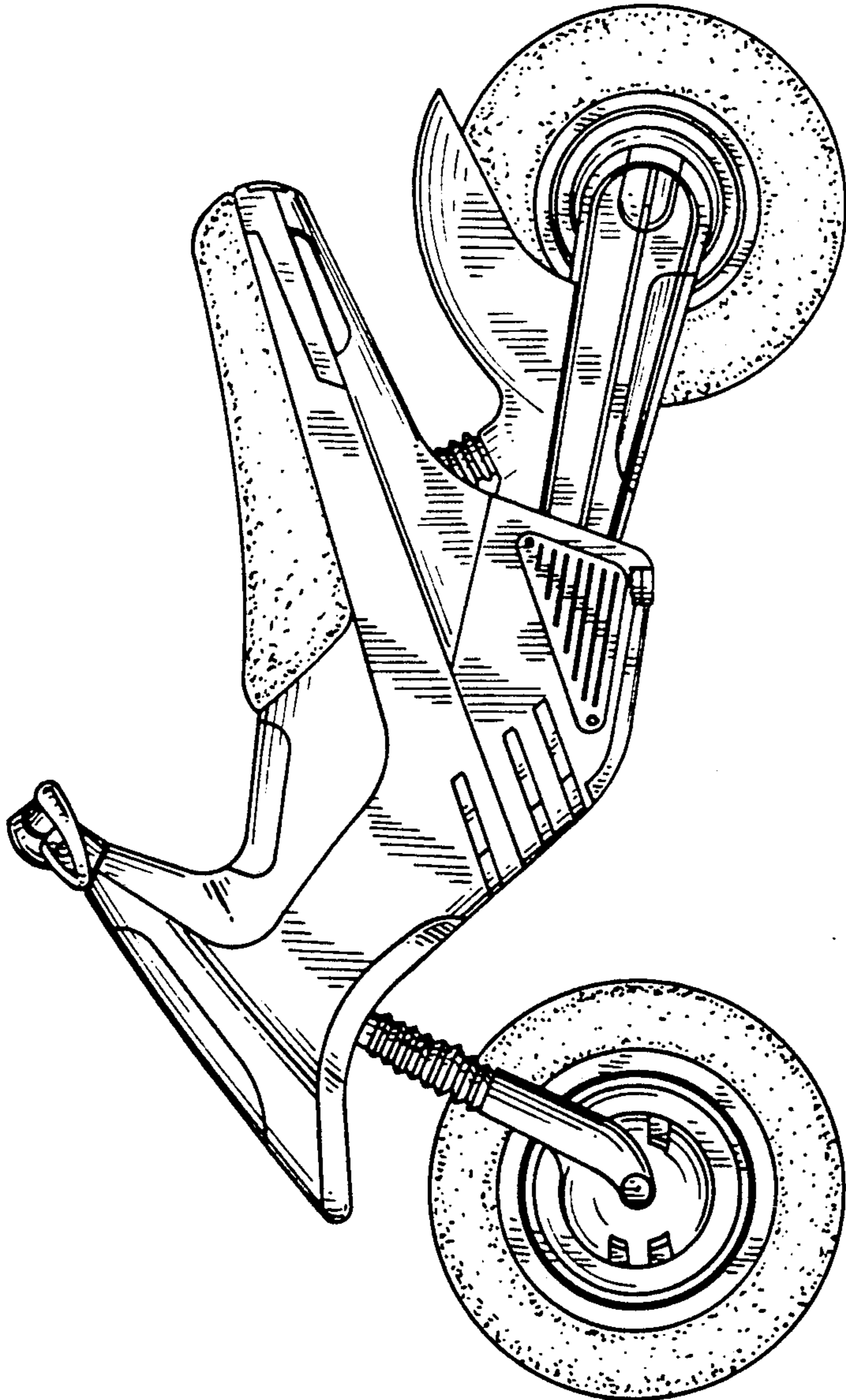


Fig. 9

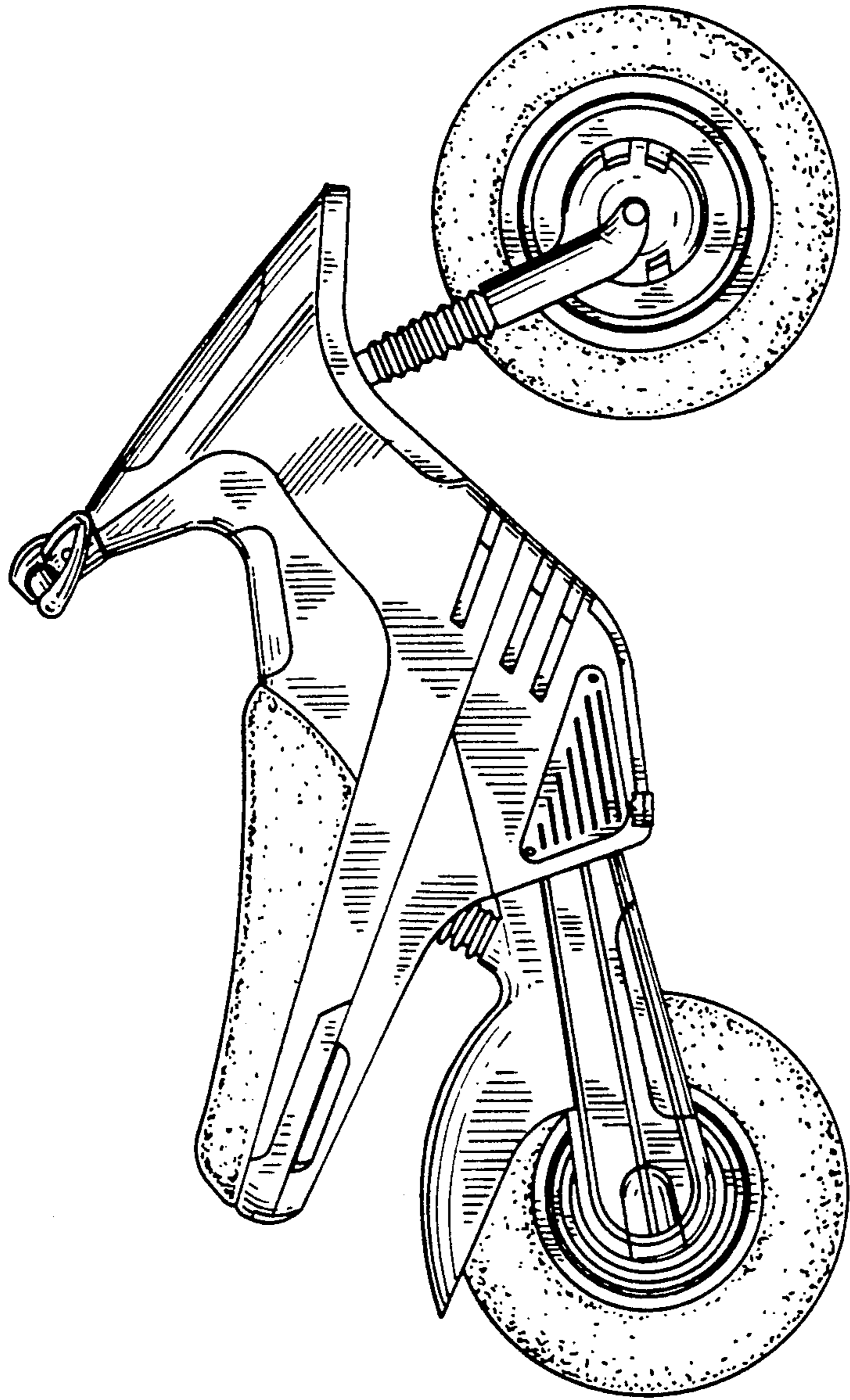


Fig. 12

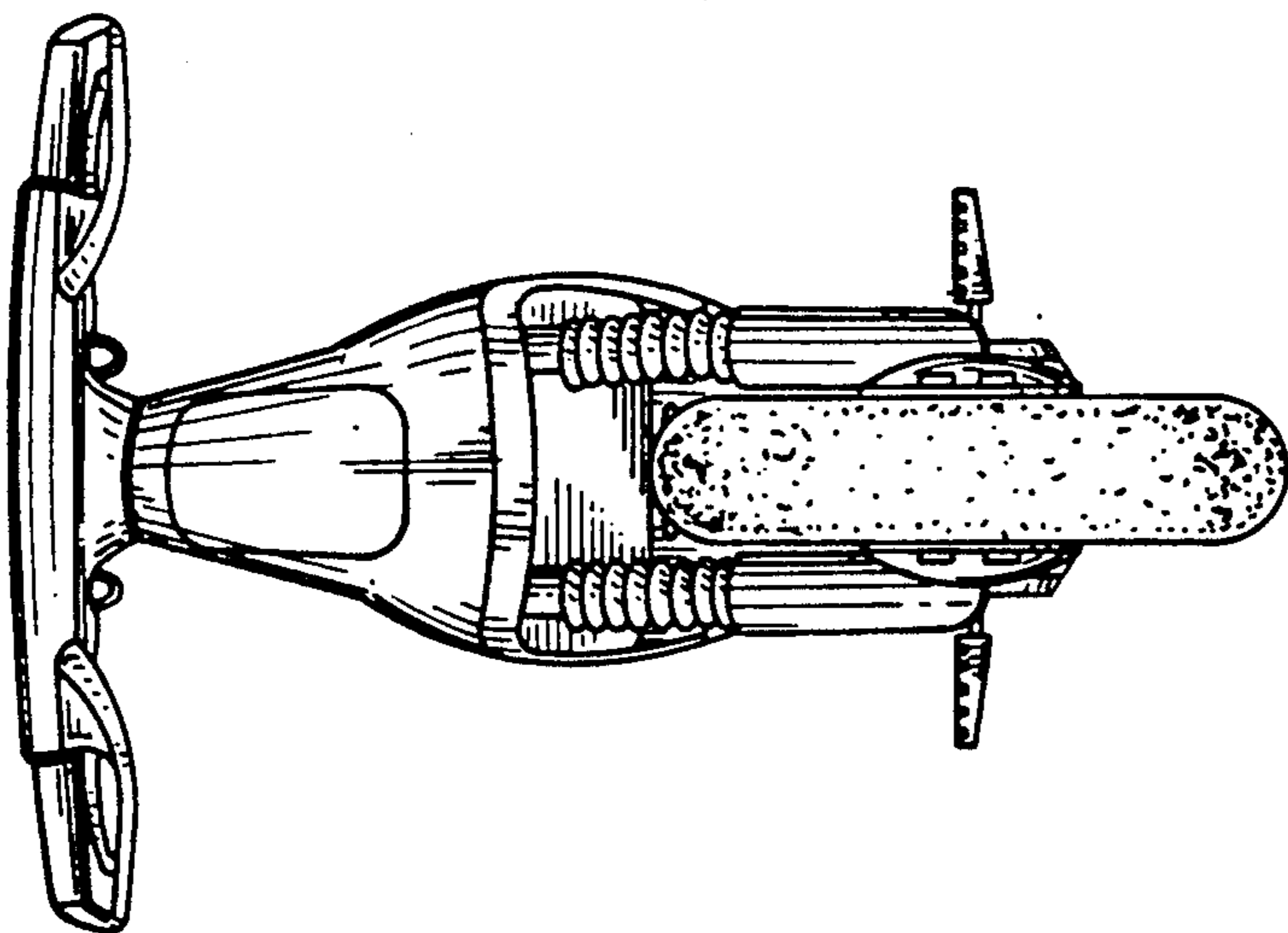


Fig. 11

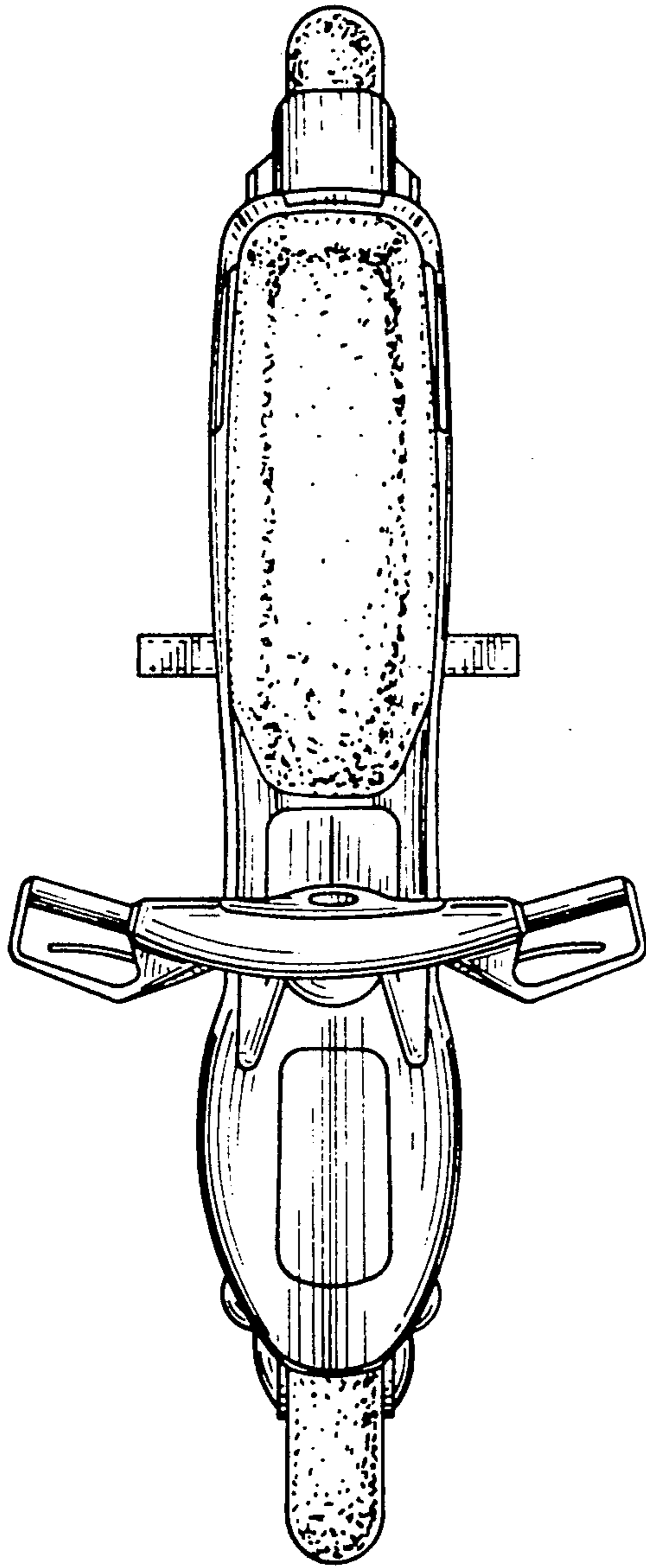


FIG. 14

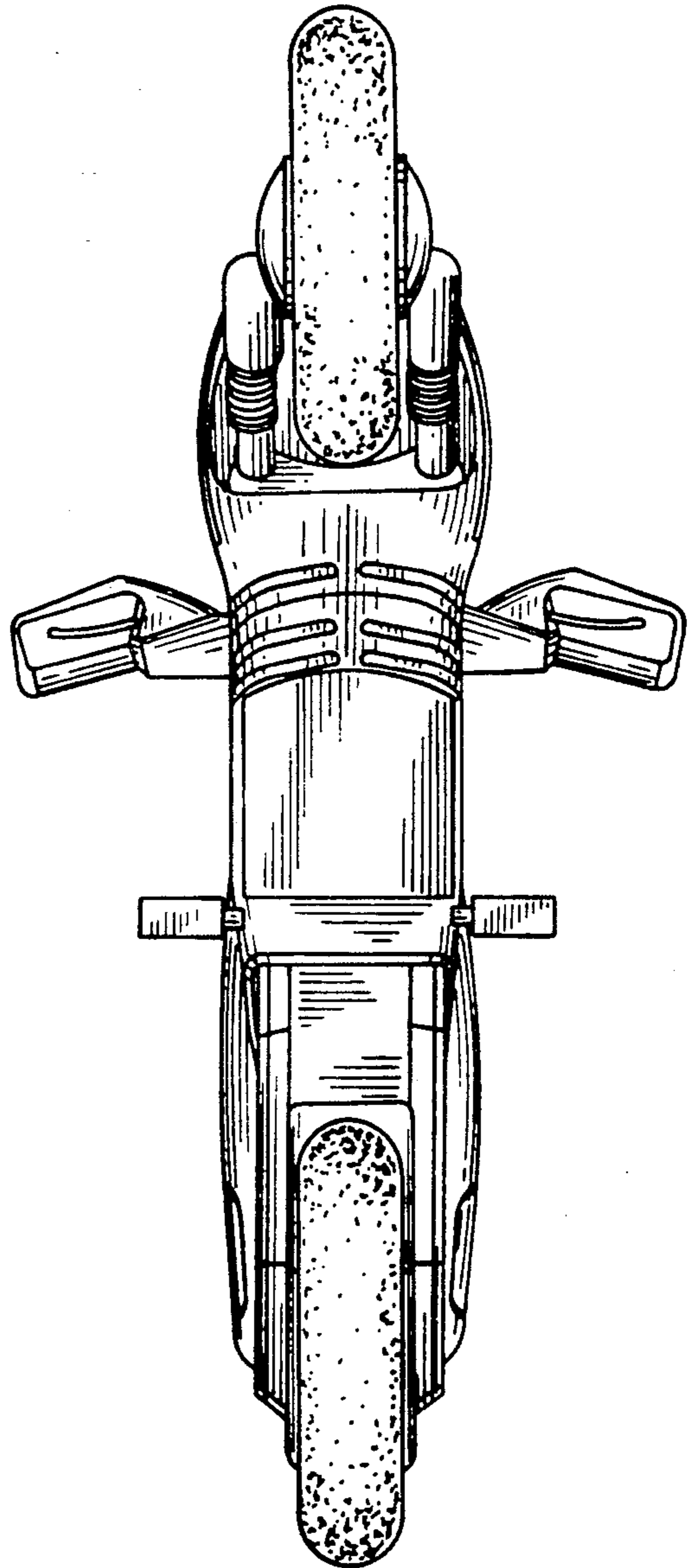


FIG. 13