



US00D325356S

# United States Patent [19]

[11] Patent Number: **Des. 325,356**

**Kin Man Tse**

[45] Date of Patent: **\*\* Apr. 14, 1992**

[54] **BURGLER DETECTOR**

D. 261,371 10/1981 Lewis ..... D10/106

[75] Inventor: **Michael Kin Man Tse, Kowloon, Hong Kong**

*Primary Examiner*—Wallace R. Burke  
*Assistant Examiner*—Marcus Jackson  
*Attorney, Agent, or Firm*—Burns, Doane, Swecker & Mathis

[73] Assignee: **STD Electronic International Ltd., Kwun Tong, Hong Kong**

[\*\*] Term: **14 Years**

[57] **CLAIM**

[21] Appl. No.: **463,263**

The ornamental design for a burglar detector, as shown and described.

[22] Filed: **Dec. 11, 1989**

**DESCRIPTION**

[52] U.S. Cl. .... **D10/106**

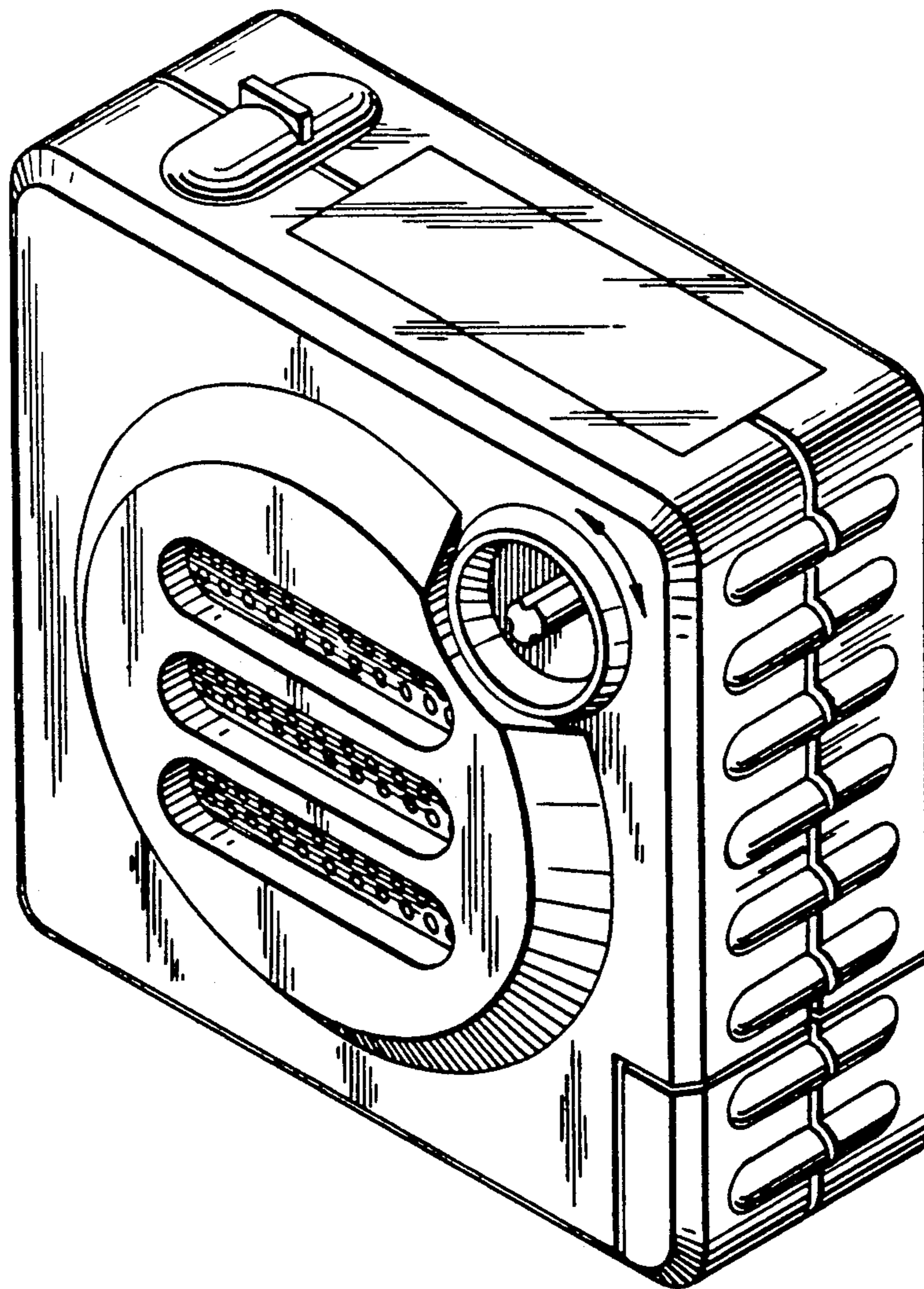
[58] Field of Search ..... **D10/104, 105, 106, 121; 340/540, 541, 545, 546, 547, 565, 566, 551**

FIG. 1 is a perspective view of a burglar detector showing my new design;  
FIG. 2 is a front elevational view thereof;  
FIG. 3 is a front elevational view thereof;  
FIG. 4 is a left side elevational view thereof;  
FIG. 5 is a right side elevational view thereof;  
FIG. 6 is a top plan view thereof; and,  
FIG. 7 is a bottom plan view thereof.

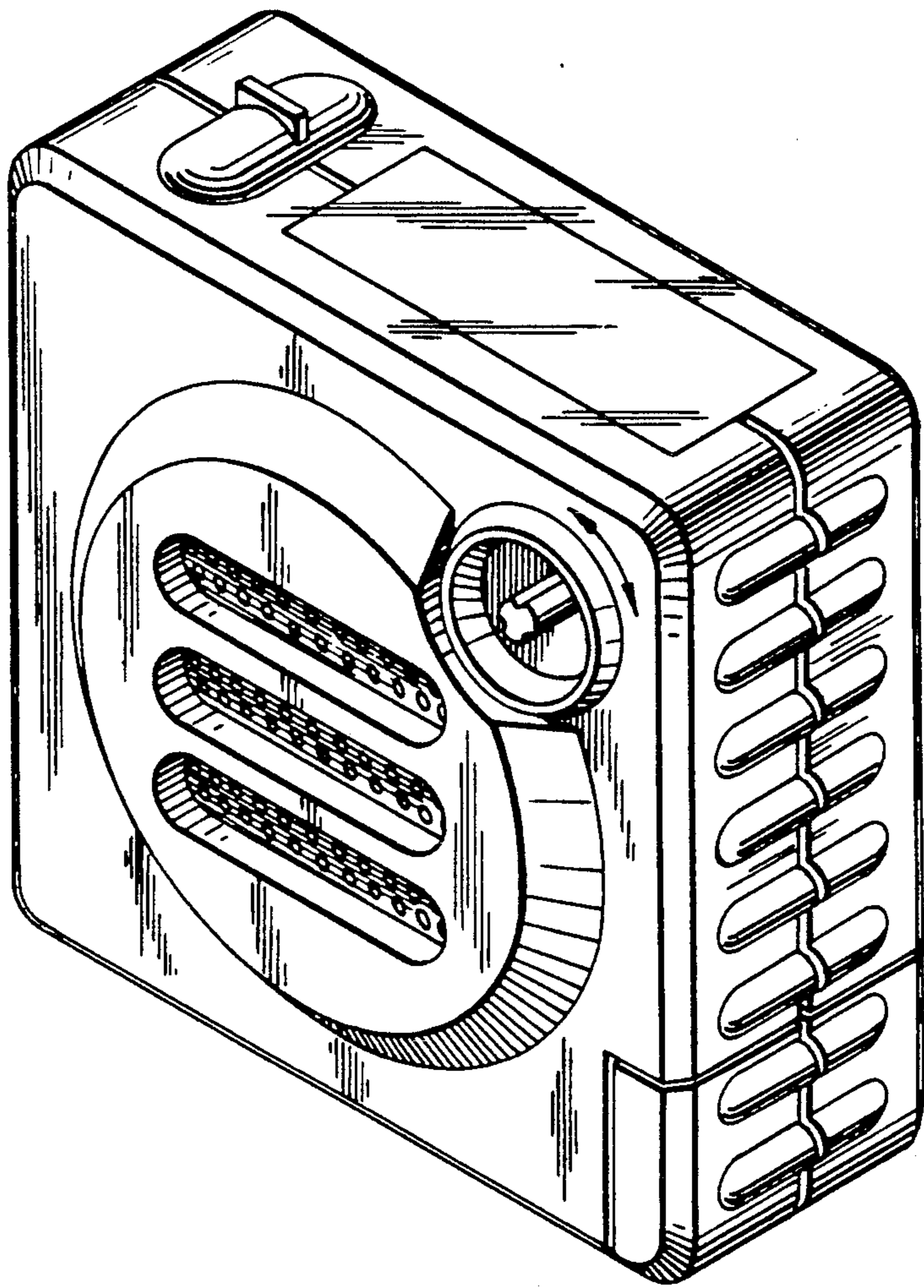
[56] **References Cited**

**U.S. PATENT DOCUMENTS**

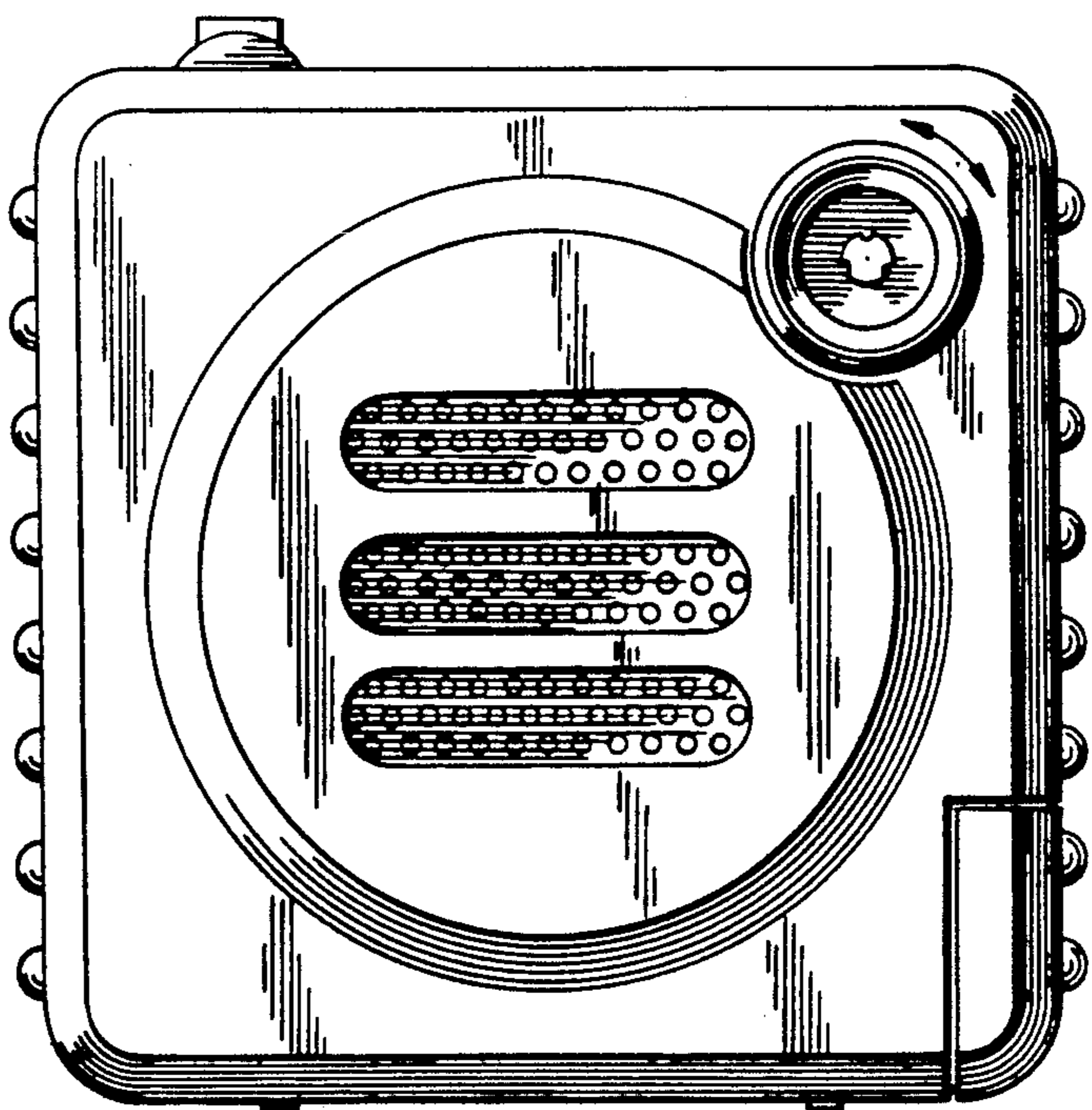
- D. 238,345 1/1976 Montalbano ..... D10/106
- D. 252,850 9/1979 Jorgenson ..... D10/106



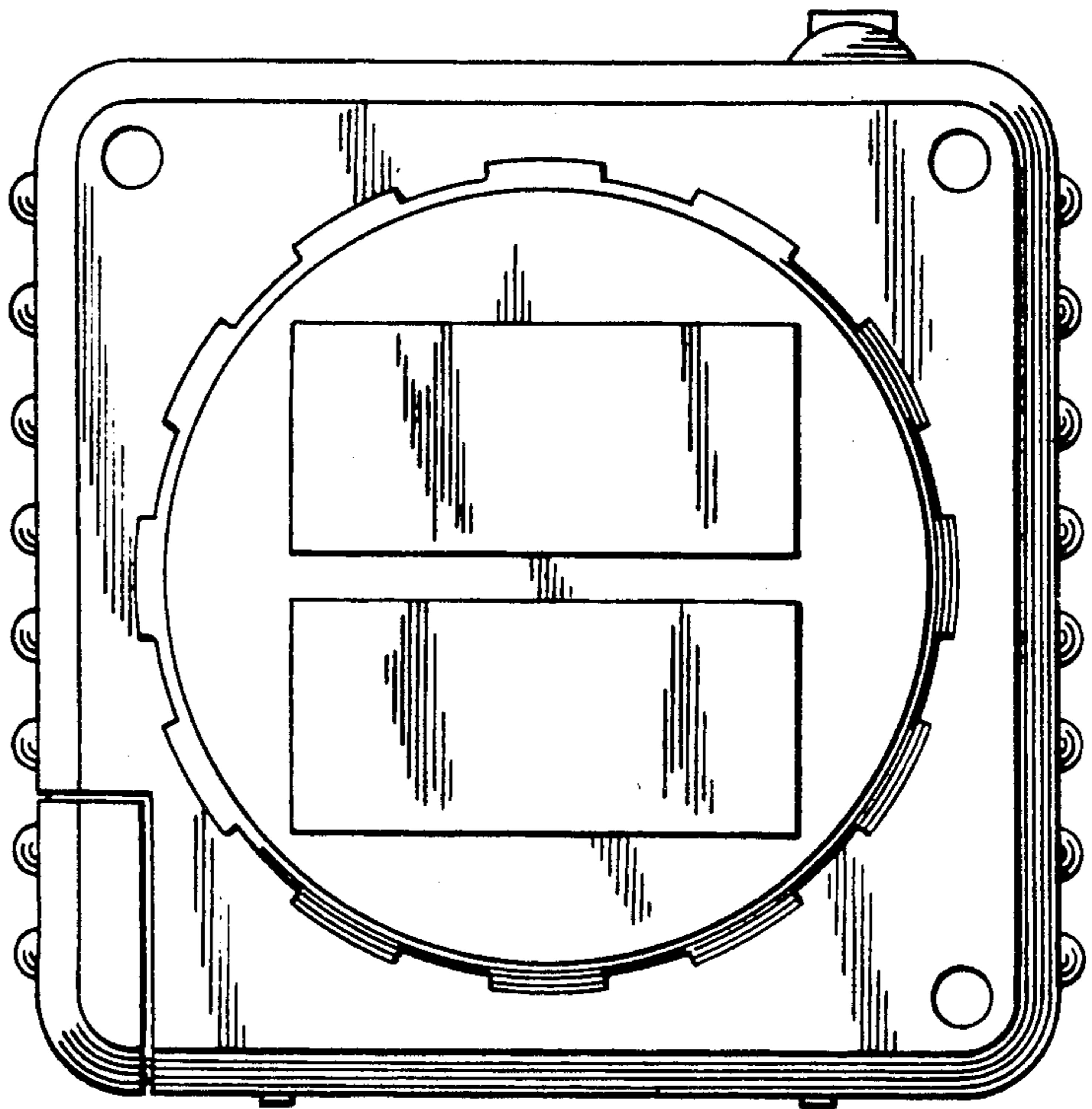
*Fig. 1*



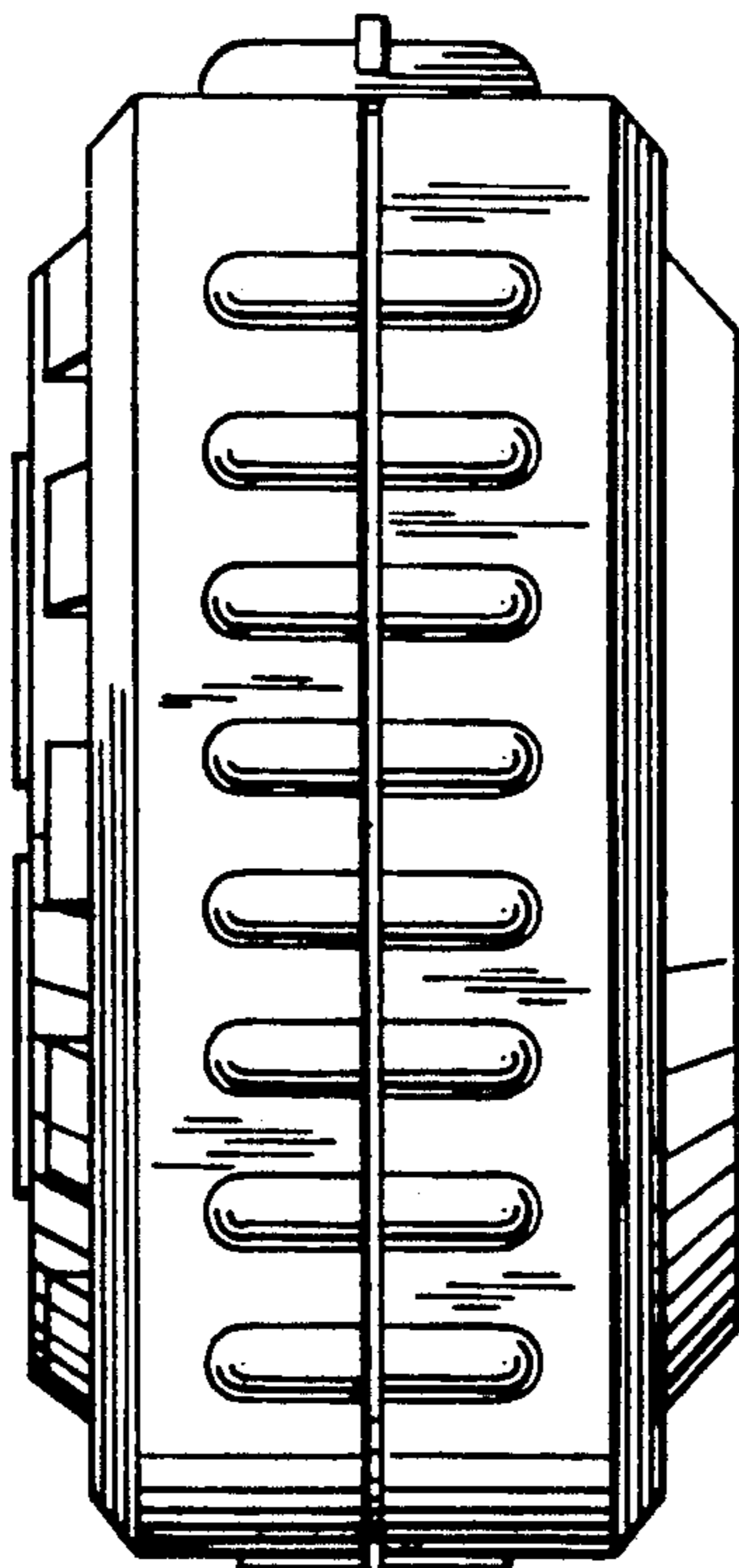
*Fig. 2*



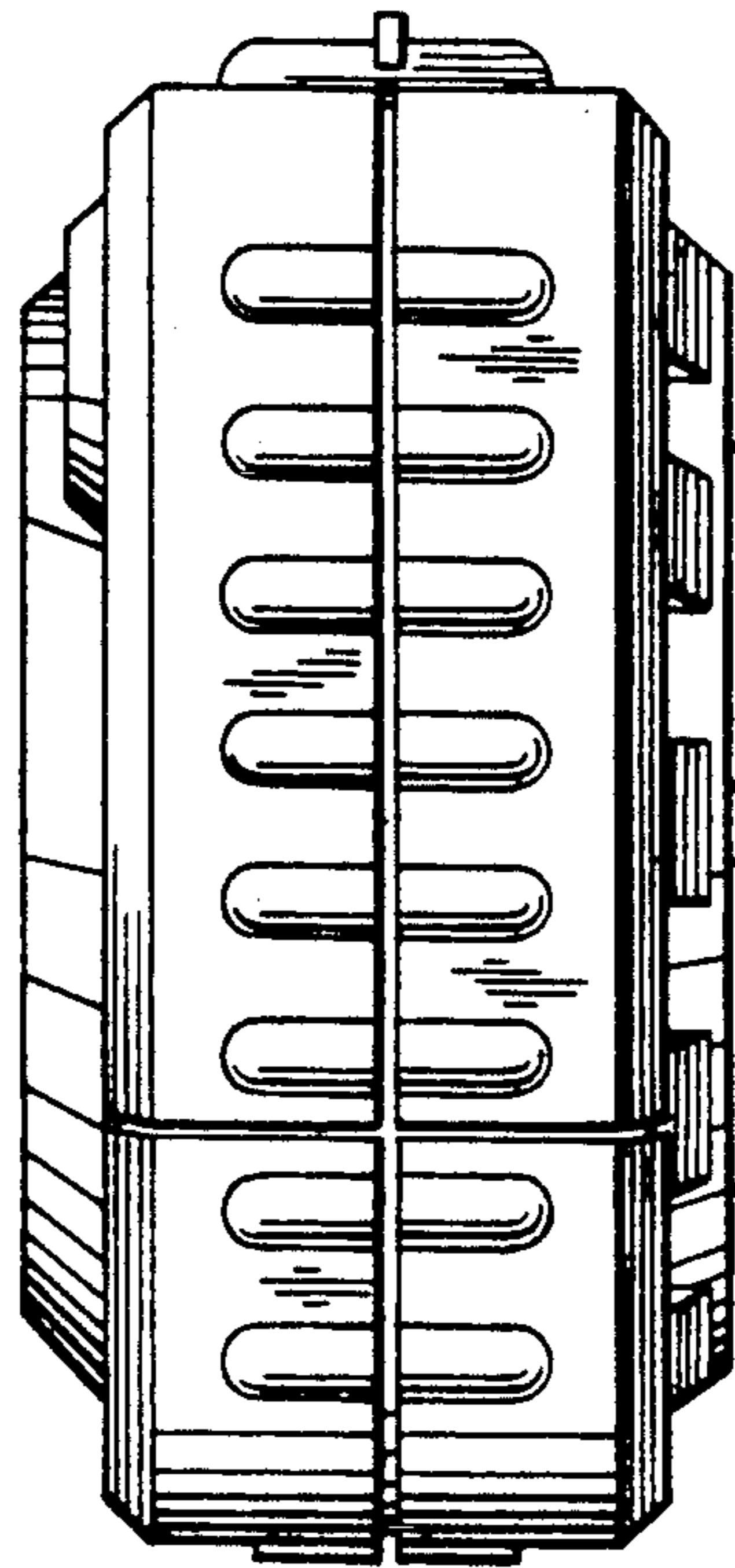
*FIG. 3*



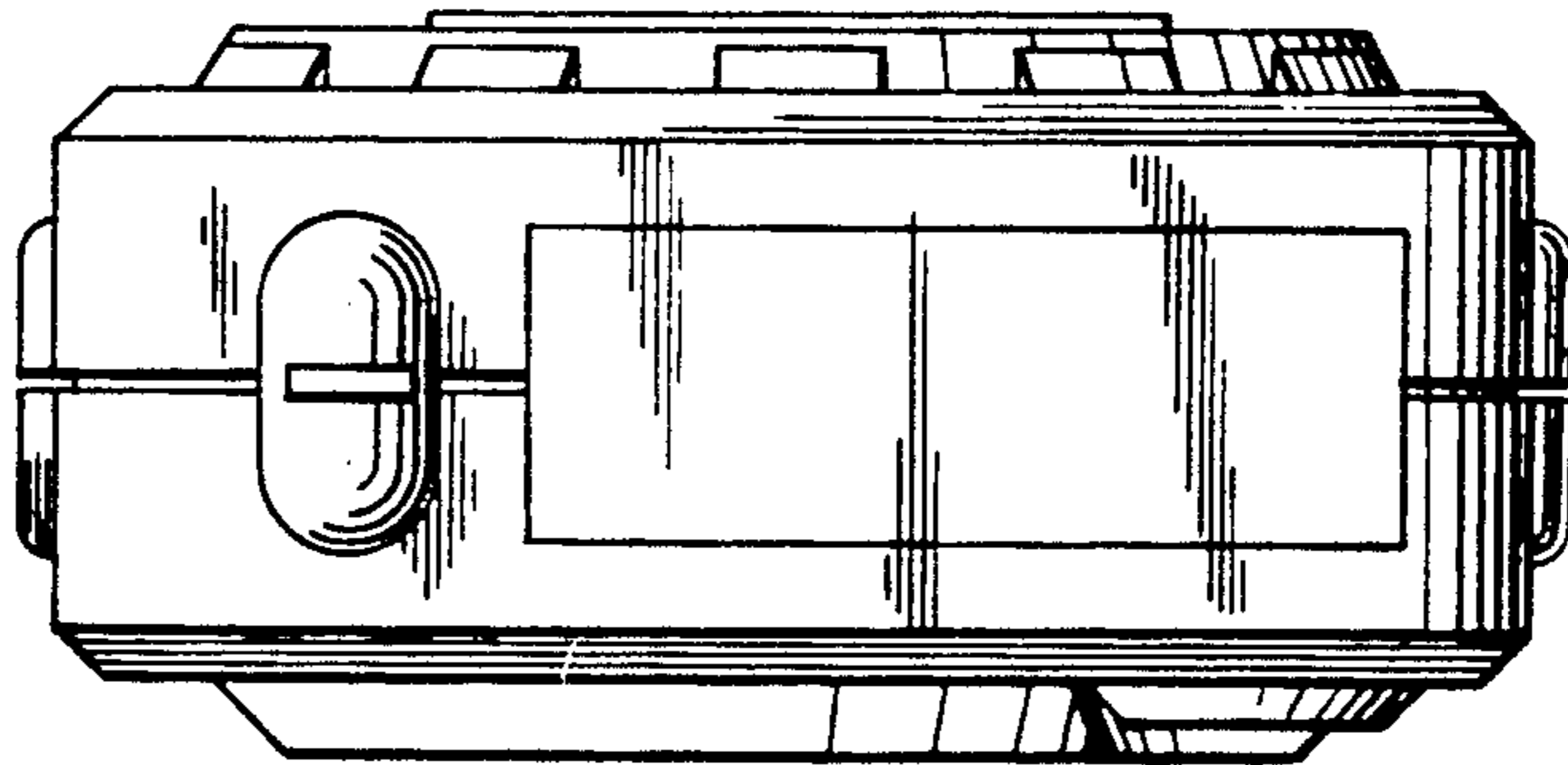
*FIG. 4*



*Fig. 5*



*Fig. 6*



*Fig. 7*

