



US00D325354S

United States Patent [19]

[11] Patent Number: **Des. 325,354**

Nosek

[45] Date of Patent: **** Apr. 14, 1992**

[54] WHEELED DISTANCE METER

[76] Inventor: **Frank J. Nosek**, 1236 Whitingham Cir., Naperville, Ill. 60540

[**] Term: **14 Years**

[21] Appl. No.: **403,713**

[22] Filed: **Sep. 6, 1989**

[52] U.S. Cl. **D10/70**

[58] Field of Search **D10/70; 33/772, 779, 33/780, 781; 403/109, 367**

[56] References Cited

U.S. PATENT DOCUMENTS

D. 110,720	8/1938	Harris	D10/70
D. 224,045	6/1972	Evans, Jr.	D10/70
D. 224,046	6/1972	Evans, Jr.	D10/70
D. 299,214	1/1989	Kimura	D10/70
2,123,360	7/1938	Harris	33/781
2,325,130	7/1943	Harmon	33/781
3,191,310	6/1965	Carlson et al.	33/781
3,696,510	10/1972	Evans, Jr.	33/781

FOREIGN PATENT DOCUMENTS

584893 9/1933 Fed. Rep. of Germany 33/780

Primary Examiner—Bruce W. Dunkins

Assistant Examiner—Antoine D. Davis

Attorney, Agent, or Firm—Wood, Phillips, Mason, Recktenwald & Van Santen

[57] CLAIM

The ornamental design for a wheeled distance meter, as shown.

DESCRIPTION

FIG. 1 is a perspective view of a wheeled distance meter showing my new design thereof and drawn on a reduced scale with respect to FIGS. 2-6;

FIG. 2 is a right side elevational view;

FIG. 3 is a top plan view;

FIG. 4 is a front elevational view;

FIG. 5 is a left side elevational view; and,

FIG. 6 is a rear elevational view thereof.

The broken line showing of handle is for illustrative purposes only and forms no part of the claimed design.

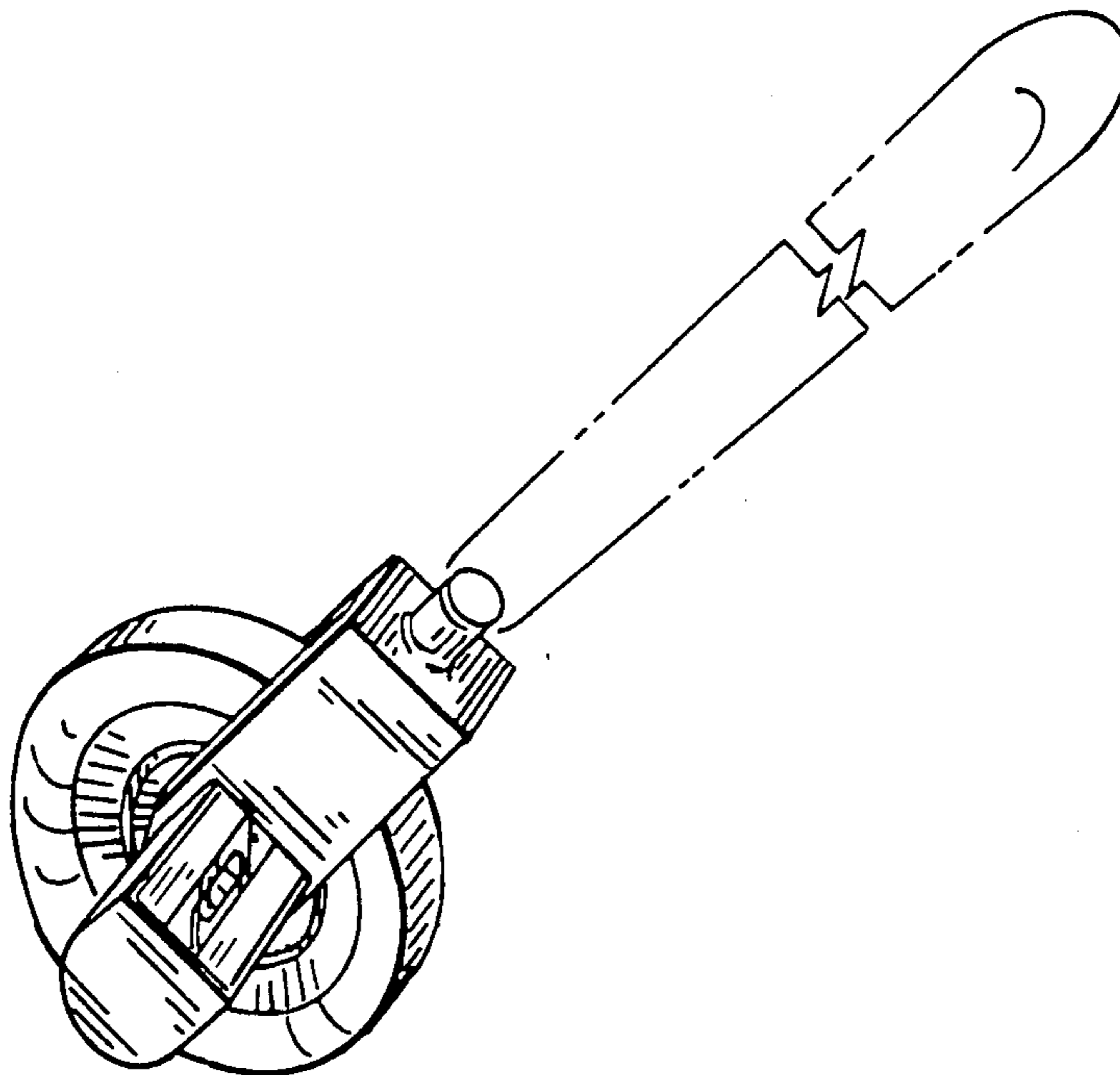


FIG. 1

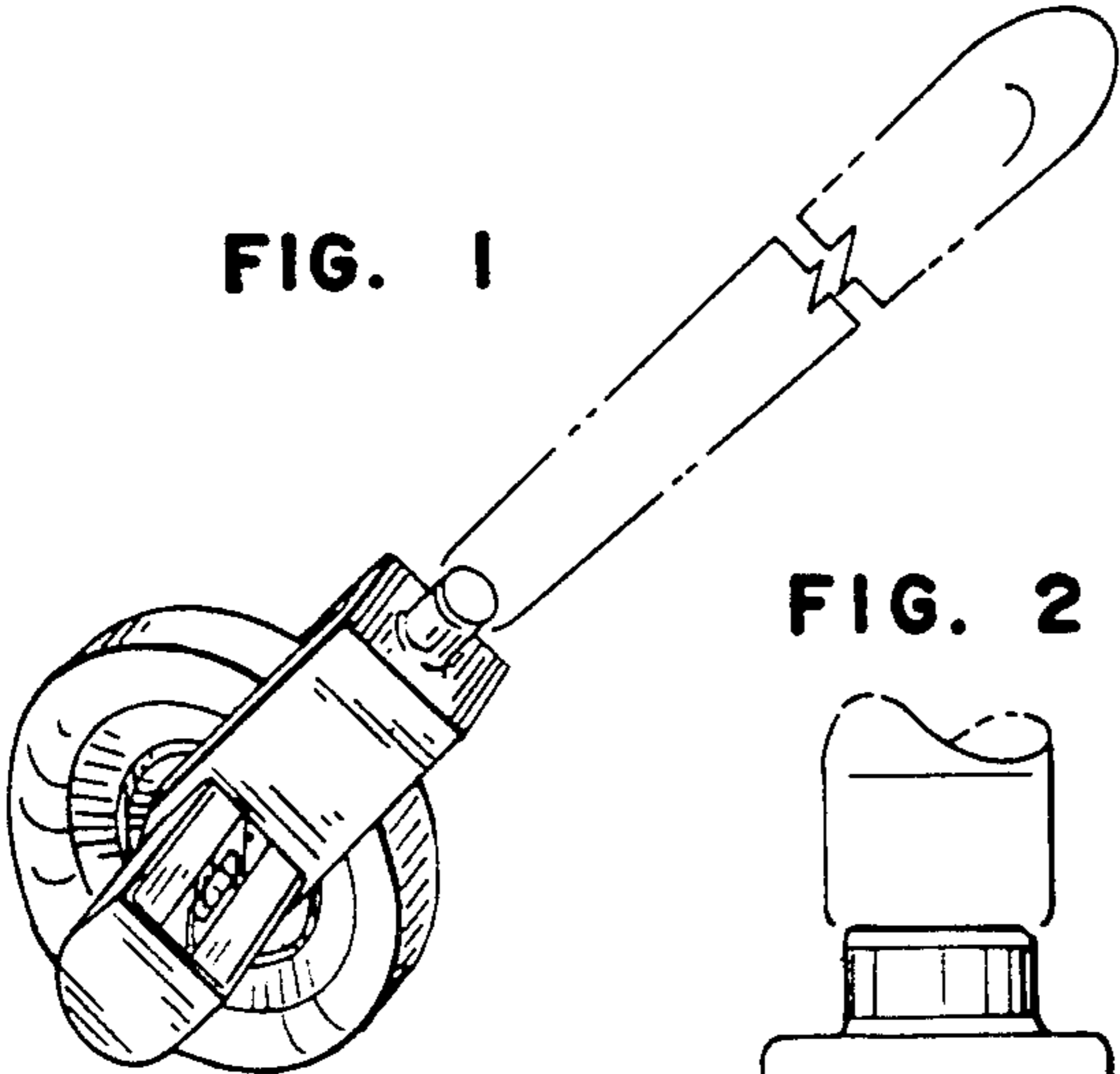


FIG. 2

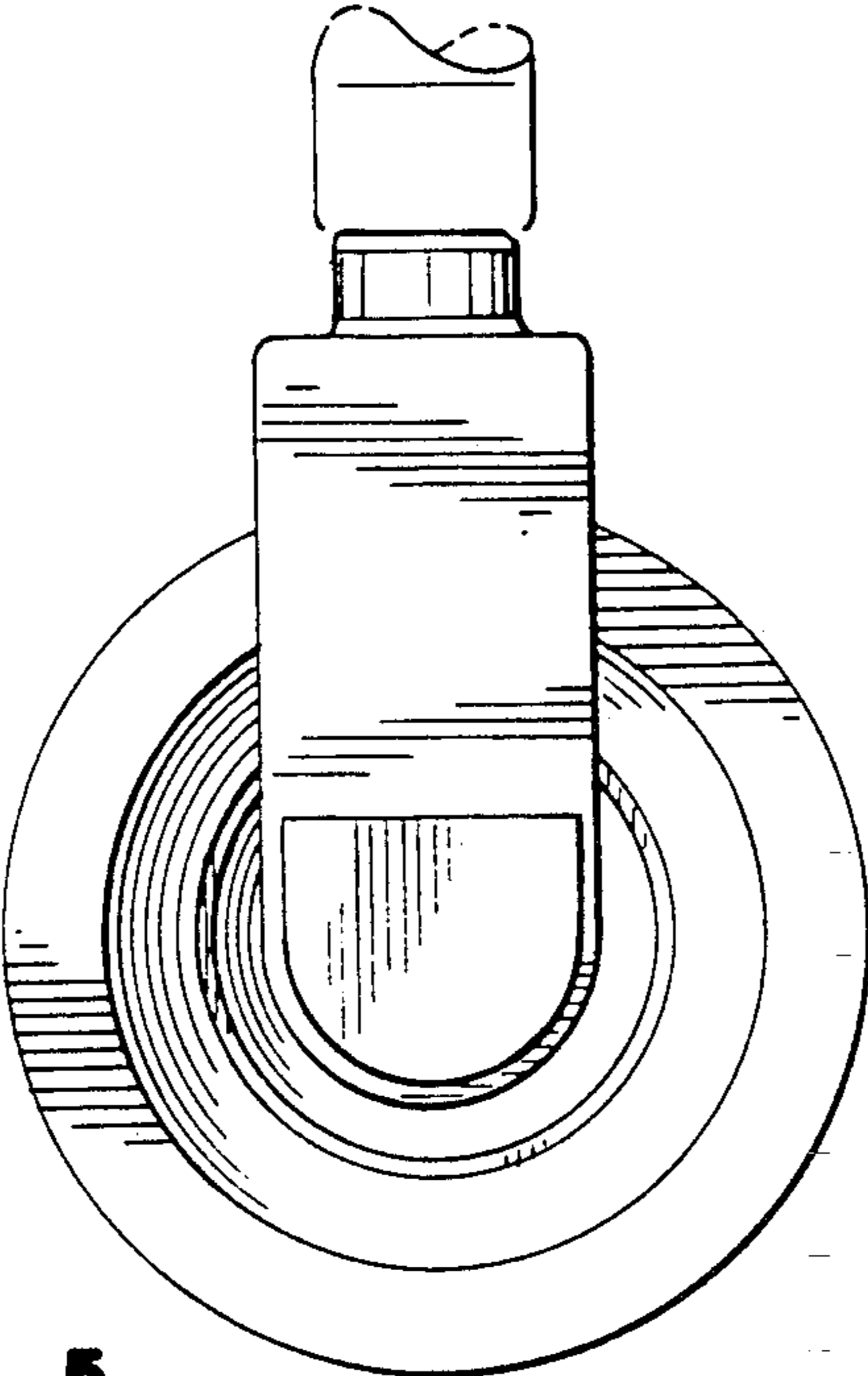


FIG. 4

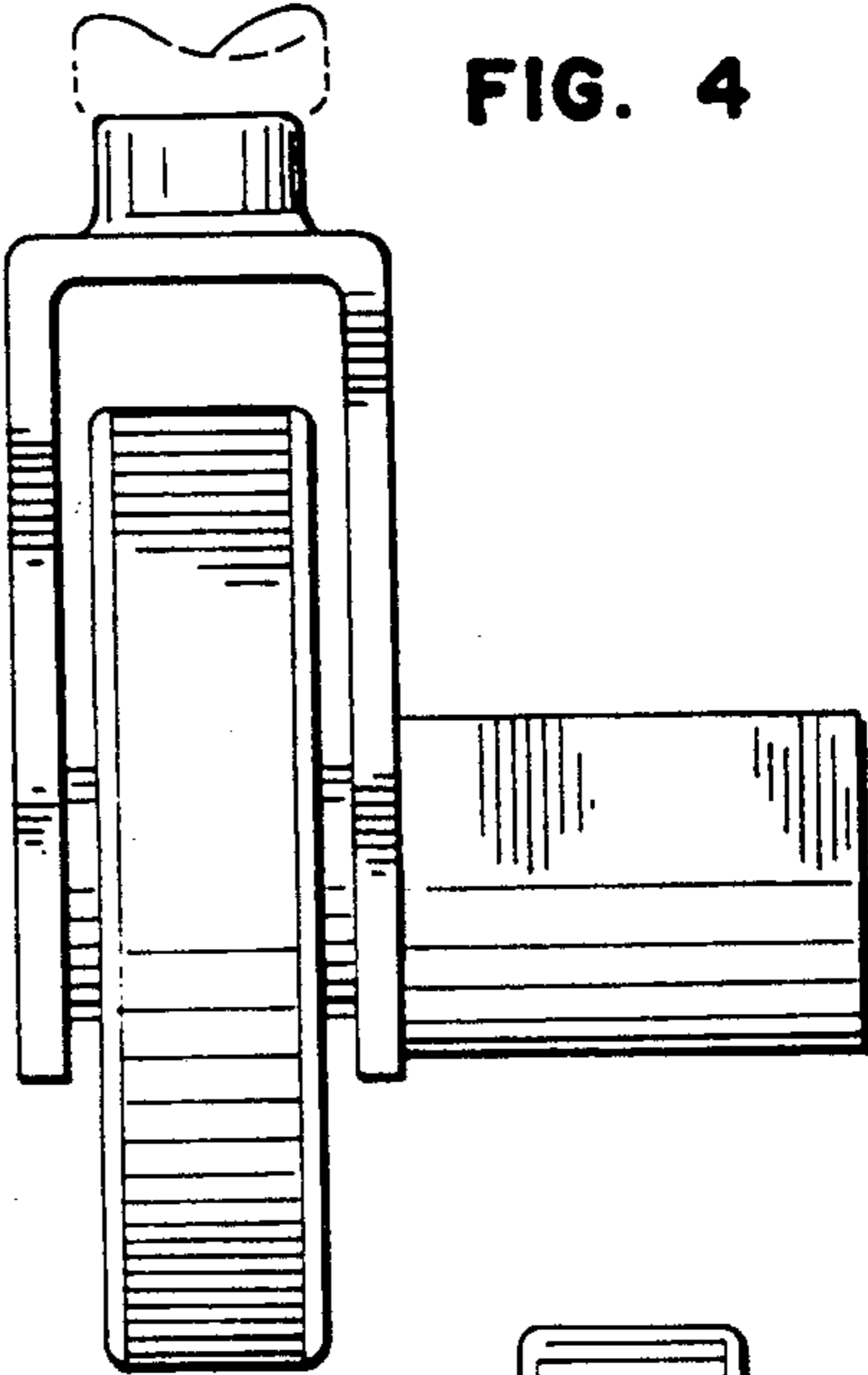


FIG. 3

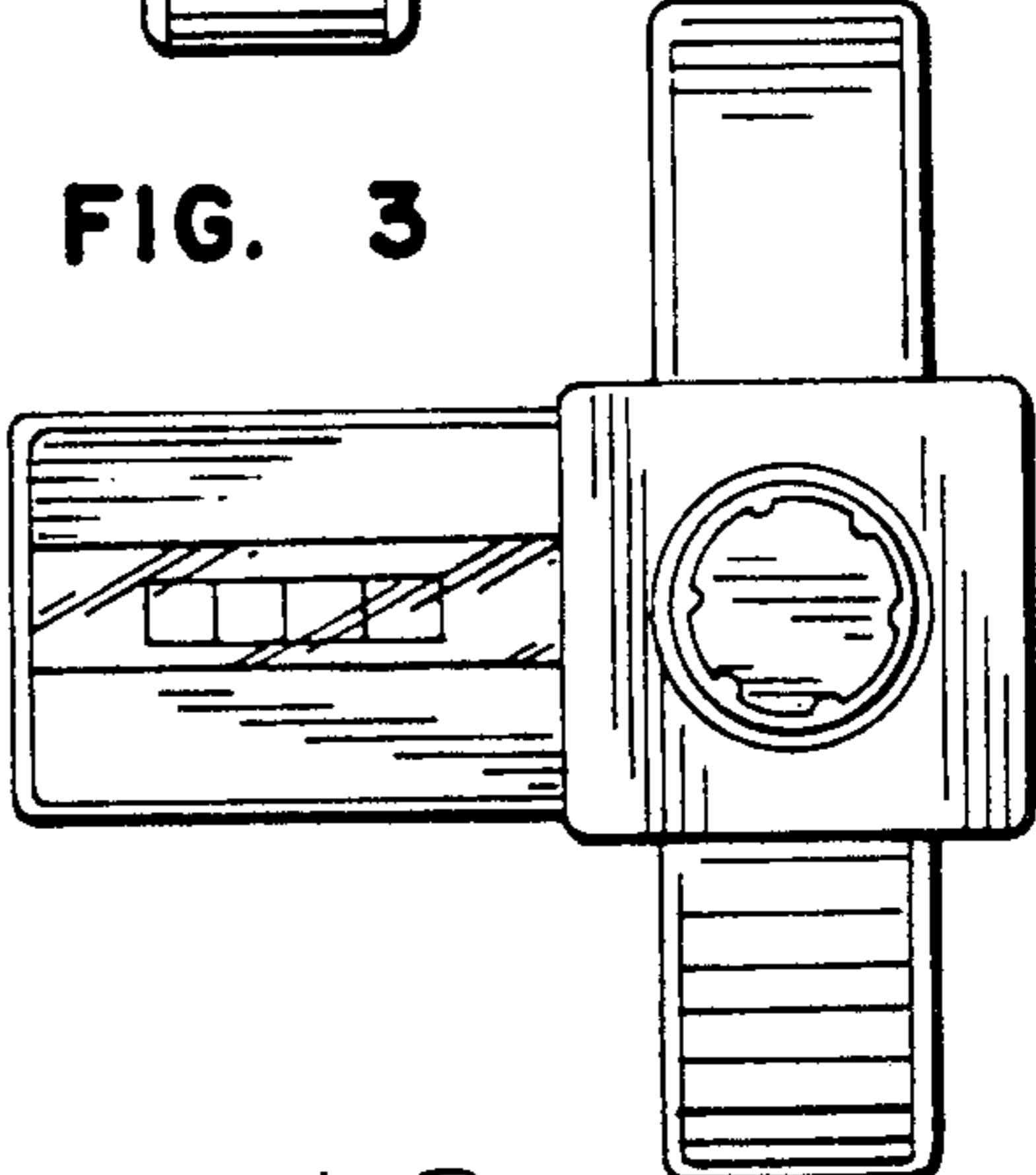


FIG. 5

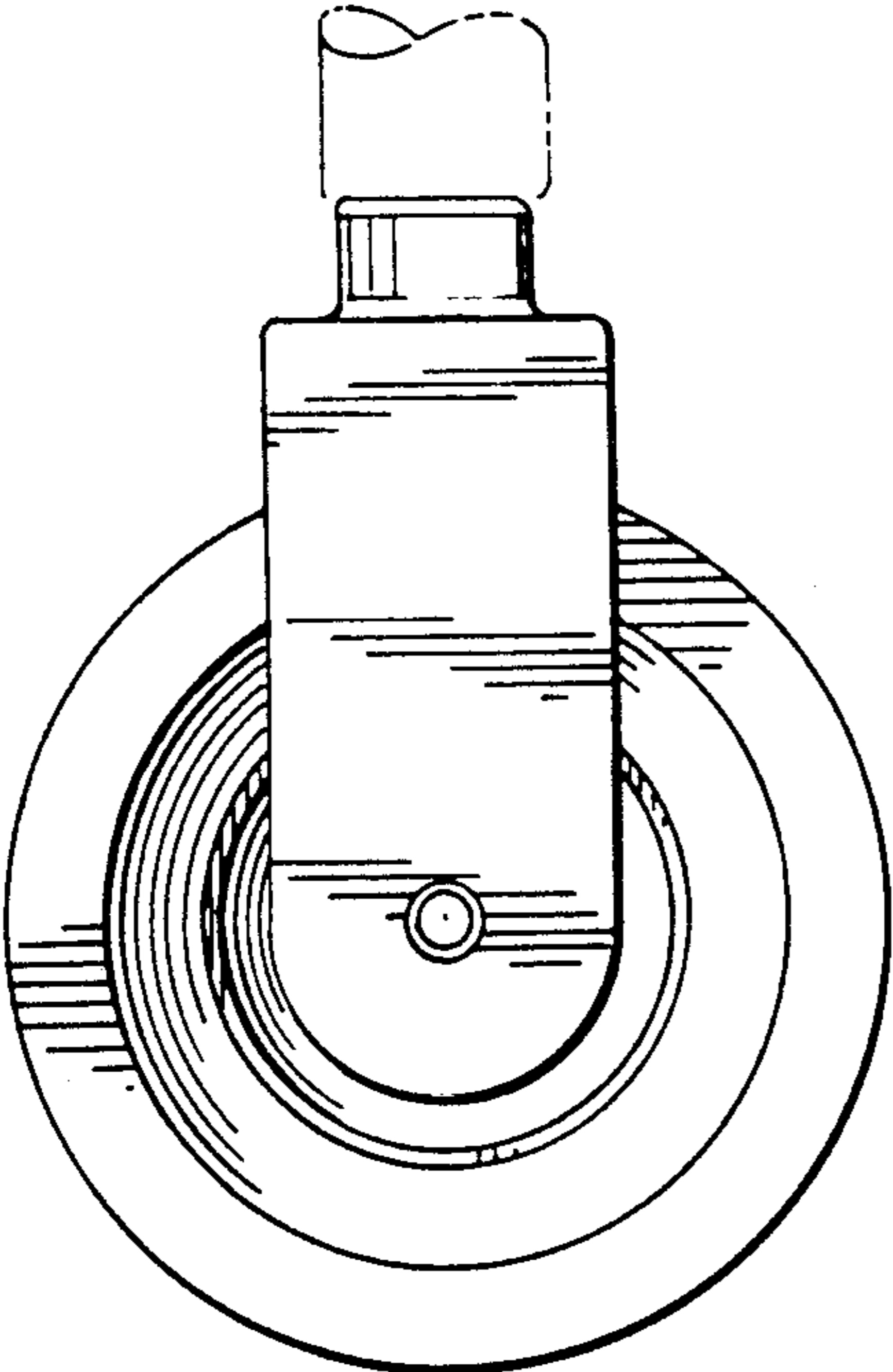


FIG. 6

