



US00D325348S

United States Patent [19]

[11] Patent Number: **Des. 325,348**

Bishop et al.

[45] Date of Patent: **** Apr. 14, 1992**

[54] **ACTUATOR CAP**

2,011,122 8/1935 Shields .
3,081,949 3/1963 Simmons 239/383
3,209,953 10/1965 Nichol D9/448

[75] Inventors: **Henry D. Bishop**, Lincolnshire;
Henry P. Furgal, Lombard; **Kurt D. Pottinger**, Willowbrook, all of Ill.

OTHER PUBLICATIONS

[73] Assignee: **Miles Inc.**, Elkhart, Ind.

Aerosol Age; Jun. 1982; p. 18; Raid Spray Head.
Aerosol Age; Mar. 1982; p. 51; Valois Spray Head (front right).
Aerosol Age; Apr. 1984; p. 4; Yard Frogger Spray Head (top right).

[**] Term: **14 Years**

Primary Examiner—B. J. Bullock
Assistant Examiner—Dominic Simone
Attorney, Agent, or Firm—Jerome L. Jeffers

[21] Appl. No.: **190,075**

[22] Filed: **May 4, 1988**

[52] U.S. Cl. **D9/448**

[58] Field of Search D9/300, 448;
222/92-94, 212, 335, 385, 405, 632, 635, 637;
239/333, 337, 383

[57] **CLAIM**

The ornamental design for the actuator cap, substantially as shown and described.

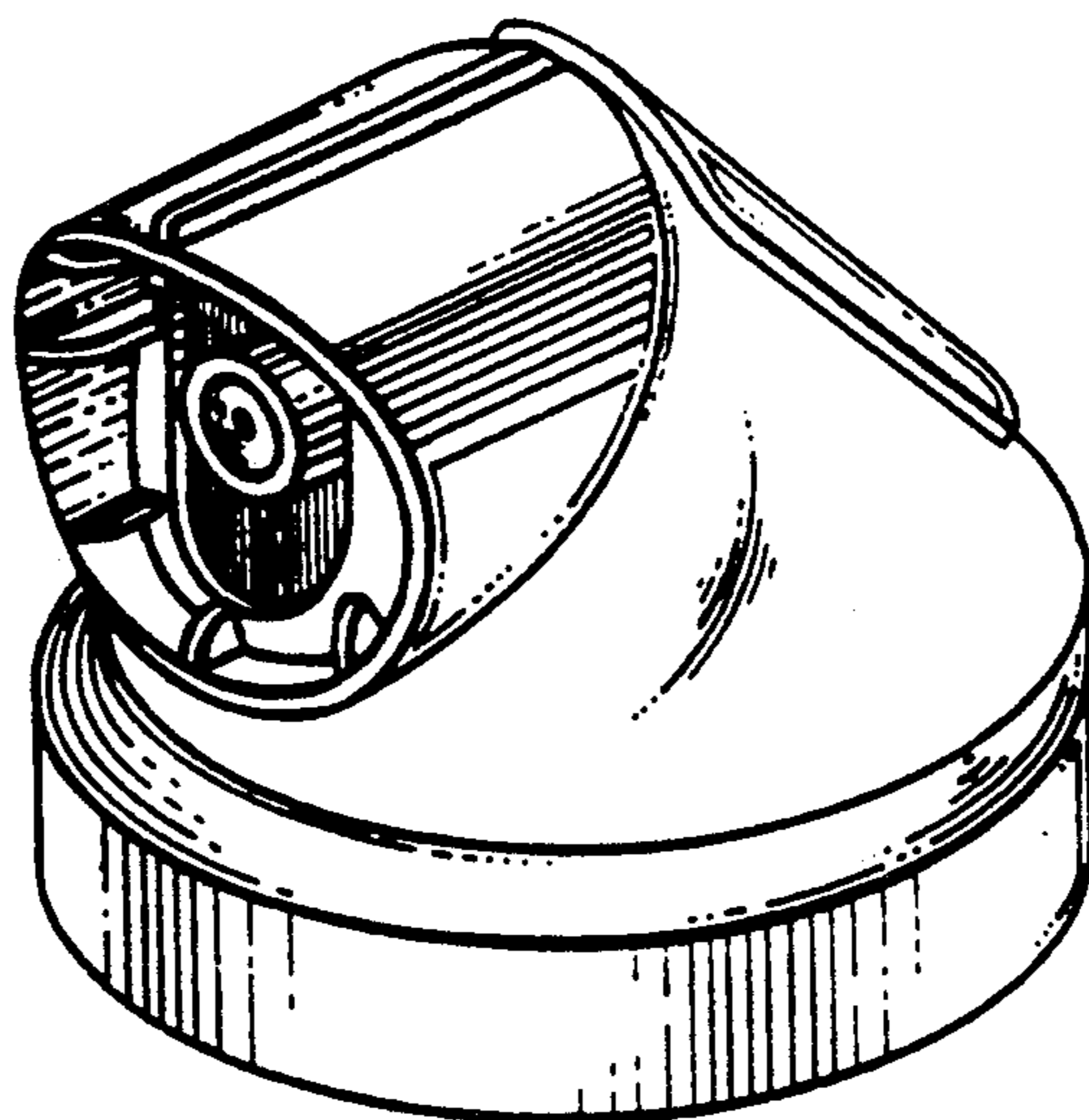
[56] **References Cited**

DESCRIPTION

U.S. PATENT DOCUMENTS

- D. 118,449 1/1940 Hubenet .
- D. 125,632 3/1941 Chapman .
- D. 126,185 4/1941 Gebhart et al. .
- D. 214,616 7/1969 Monahon D9/448
- D. 227,085 6/1973 Nigio D9/448
- D. 227,659 7/1973 Johnson D9/448
- D. 241,201 8/1976 Long et al. D9/448
- D. 279,866 7/1985 Czech D9/336
- D. 293,214 12/1987 Crapser D9/448

FIG. 1 is a perspective view of an actuator cap showing our new design;
FIG. 2 is a top view thereof;
FIG. 3 is a front view thereof;
FIG. 4 is a rear view thereof;
FIG. 5 is a bottom view thereof;
FIG. 6 is a right side view thereof; and,
FIG. 7 is a left side view thereof.



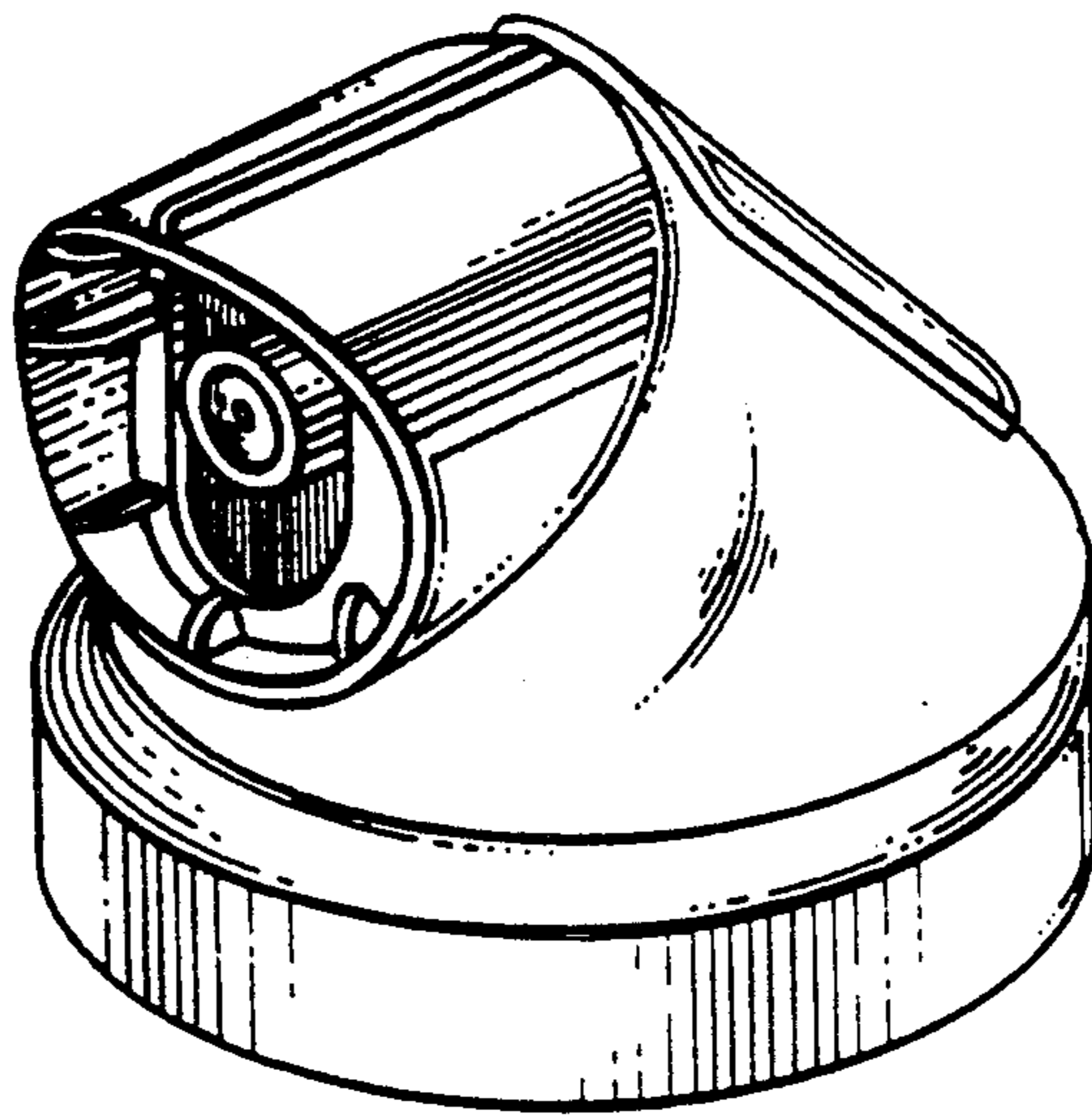


FIG. 1

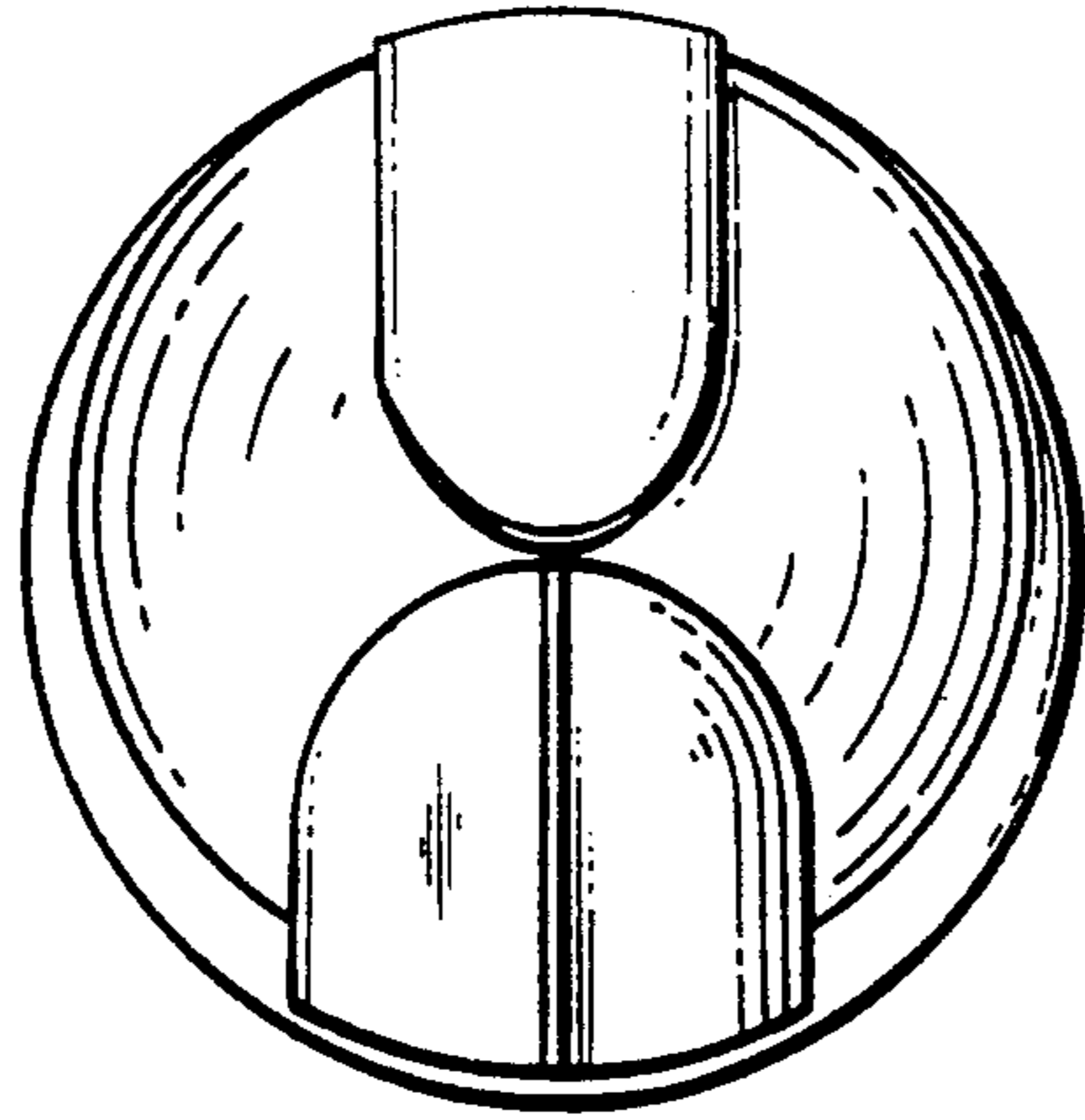


FIG. 2

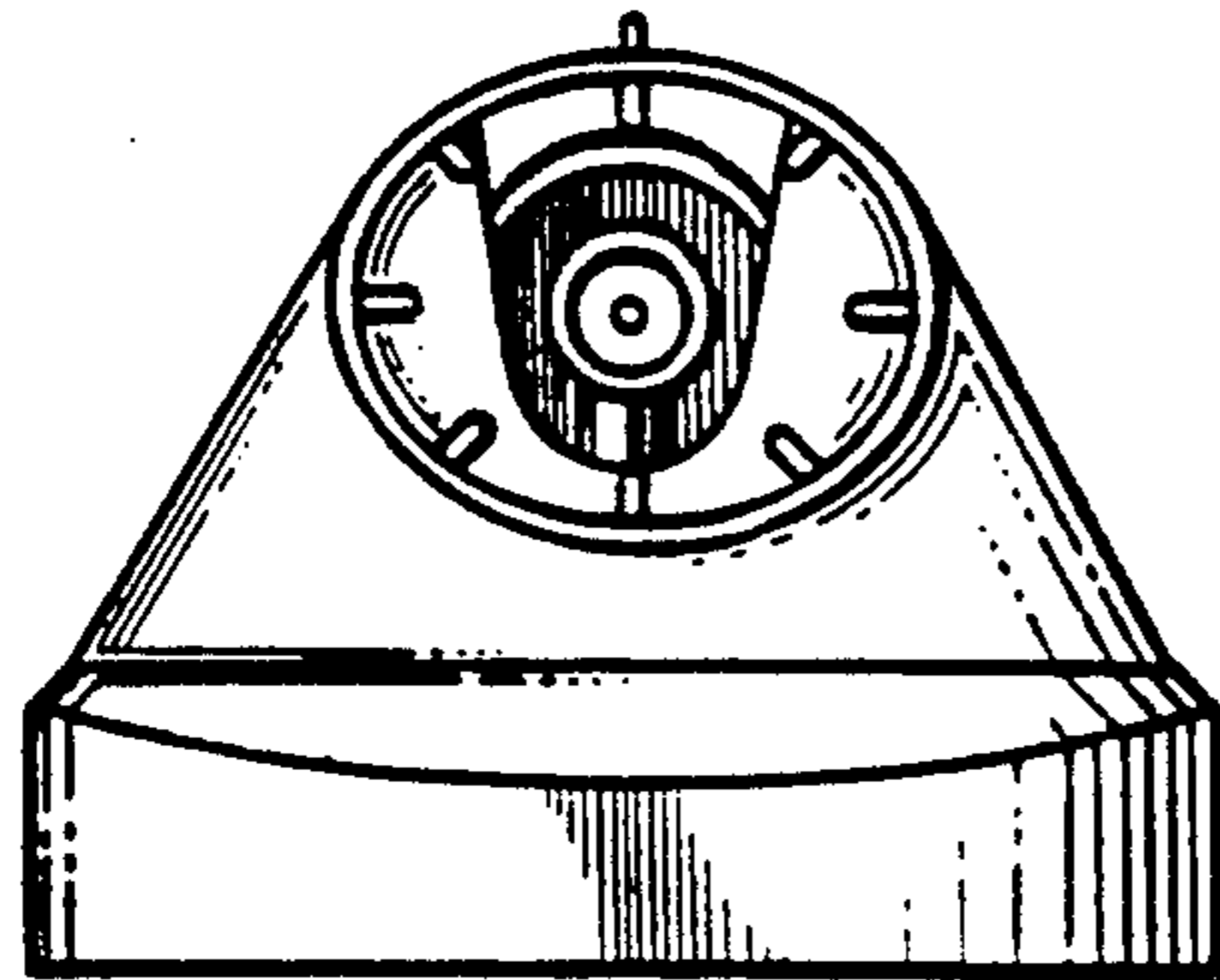


FIG. 3

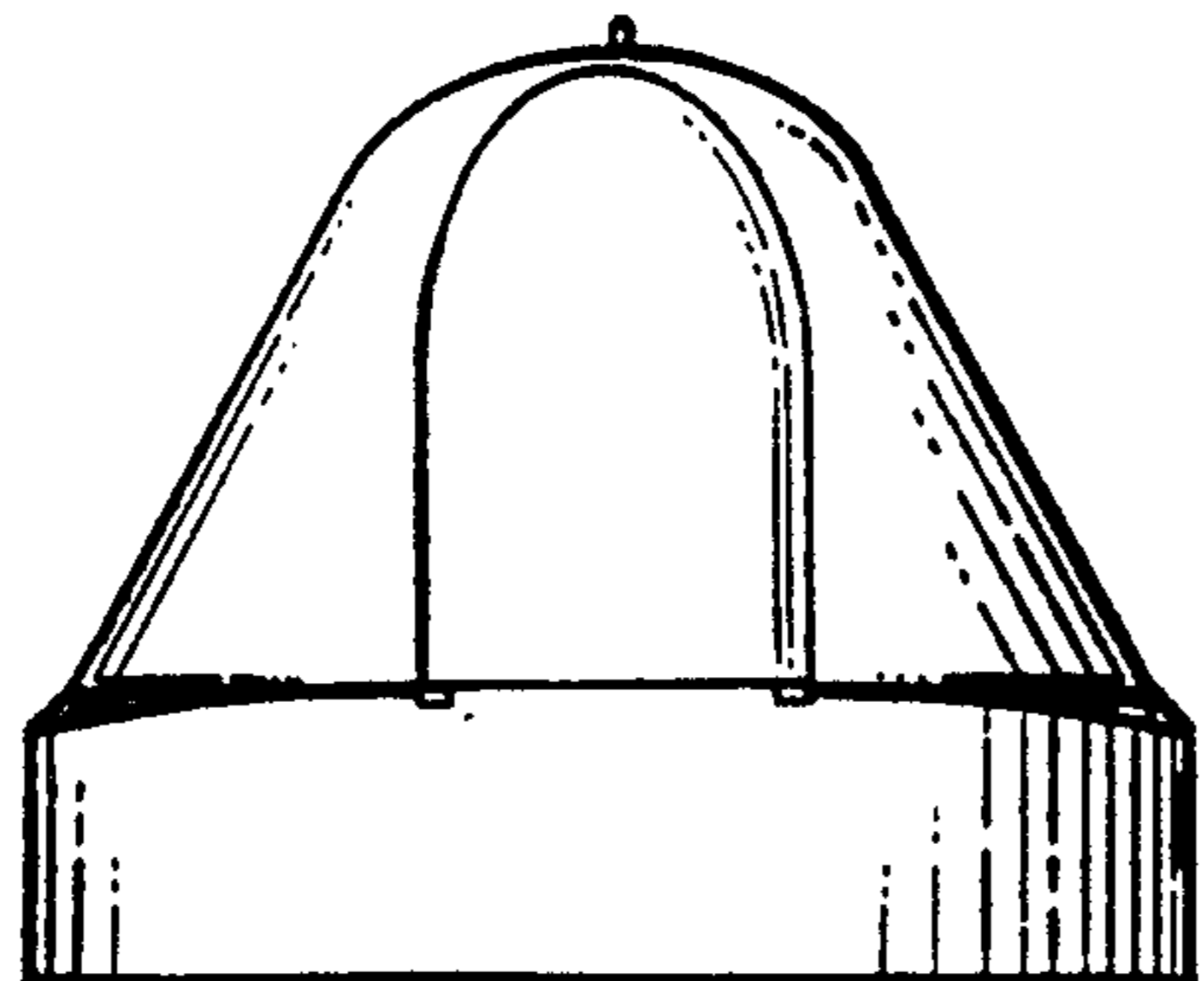


FIG. 4

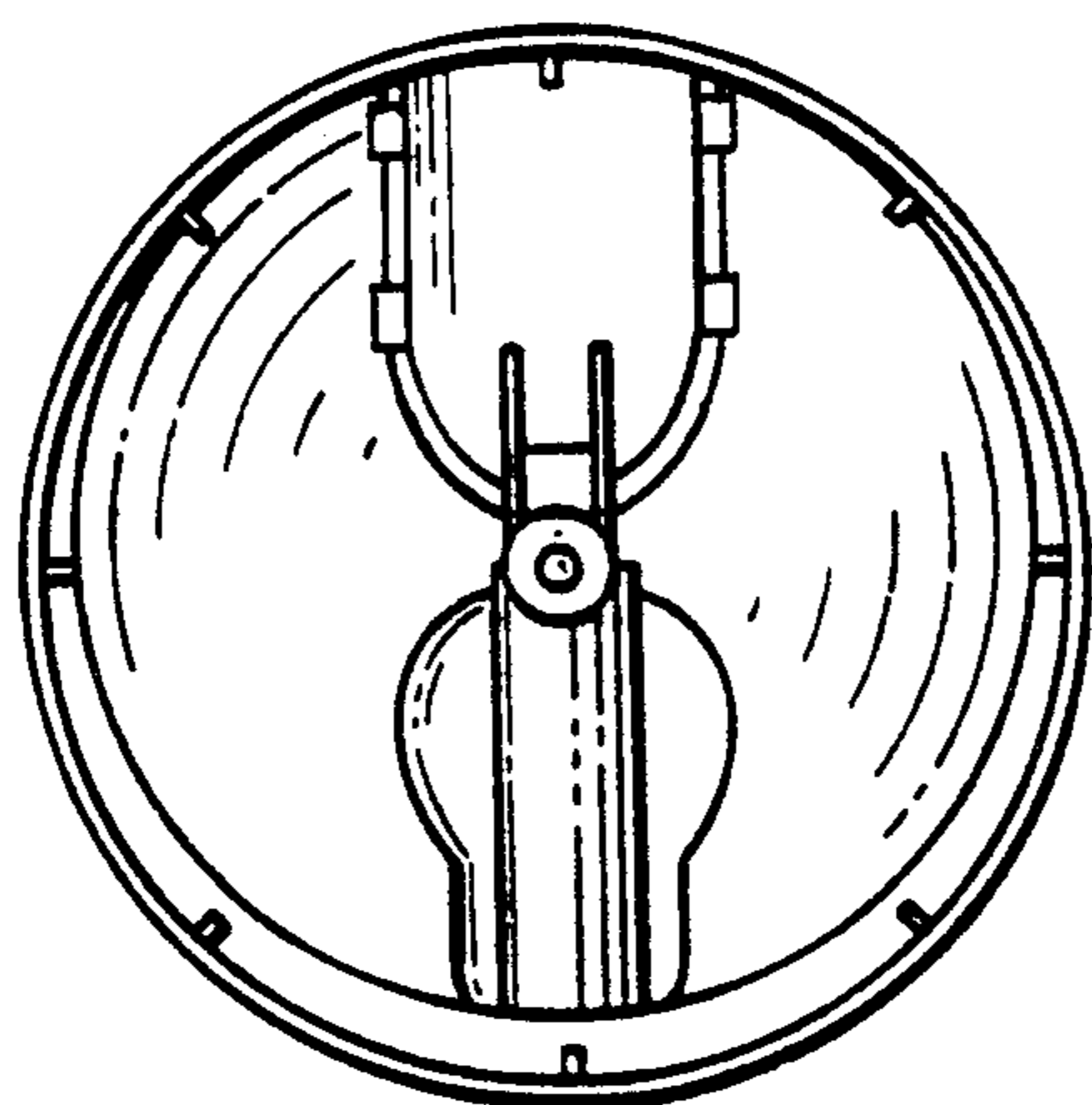


FIG. 5

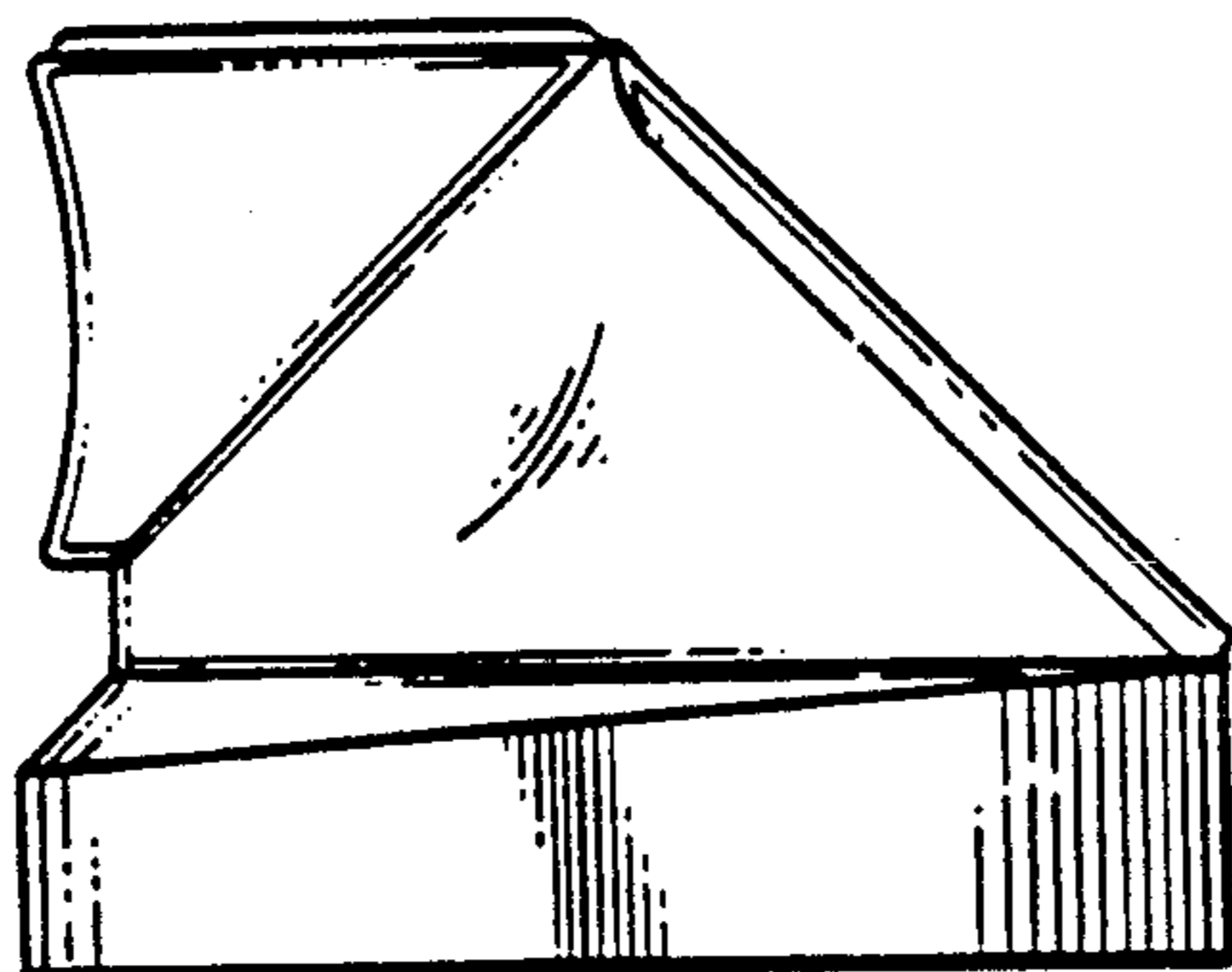


FIG. 6

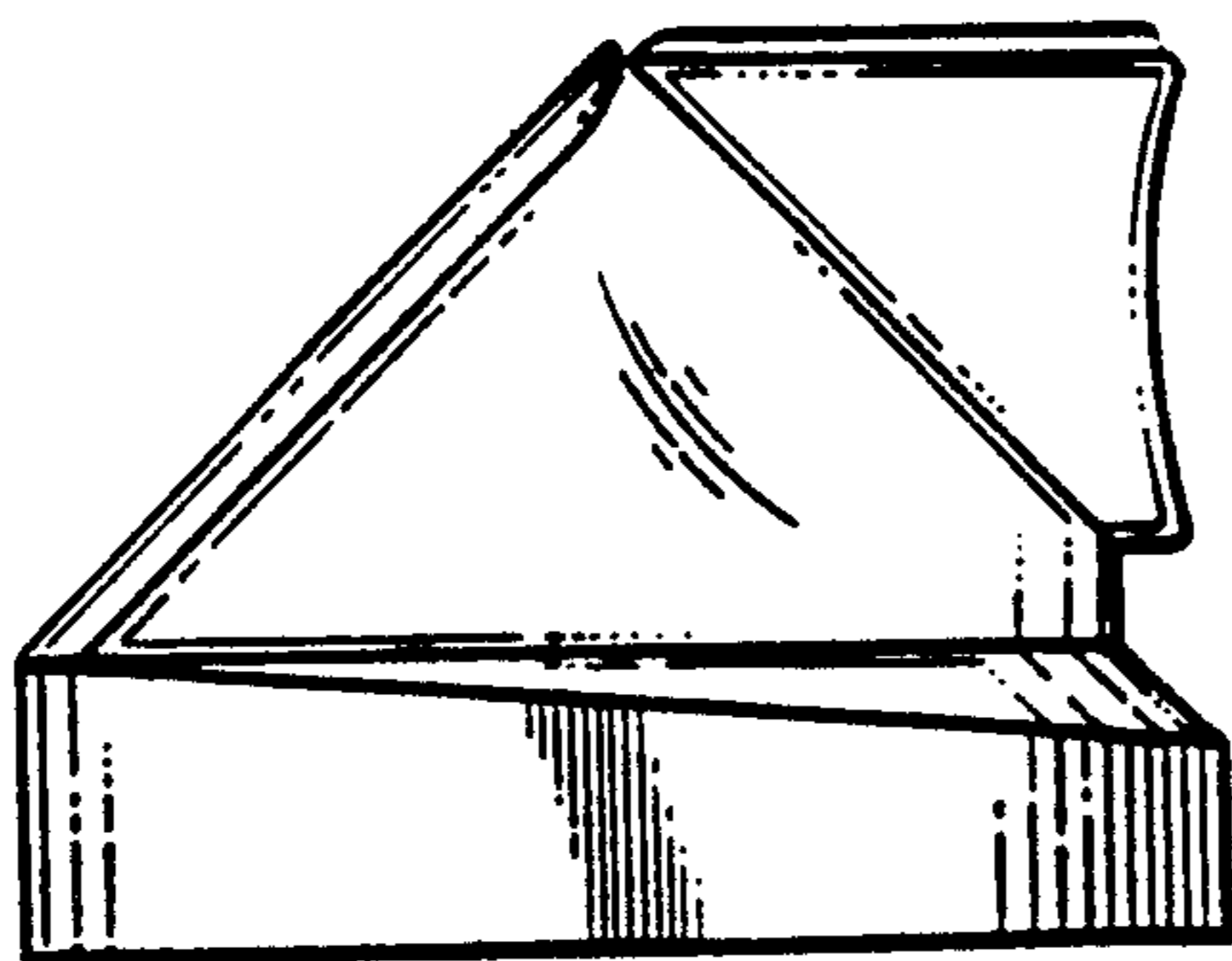


FIG. 7