



US00D325342S

United States Patent [19]

[11] Patent Number: **Des. 325,342**

Balavich

[45] Date of Patent: **** Apr. 14, 1992**

[54] **COMBINED BOTTLE AND CAP WITH NESTED VIAL**

FOREIGN PATENT DOCUMENTS

729092 11/1939 Fed. Rep. of Germany 215/6
20127 7/1944 Finland 215/6

[75] Inventor: **Nancy P. Balavich, New York, N.Y.**

OTHER PUBLICATIONS

[73] Assignee: **Revlon, Inc., New York, N.Y.**

Drug & Cosmetic Industry, May 1984, p. 112, Oval Doric Bottle with Overcap by Braun.

[**] Term: **14 Years**

Drug & Cosmetic Industry, Sep. 1984, p. 73, Presentation Vehicles Container.

[21] Appl. No.: **587,365**

Harper's Bazaar, Apr. 1986, p. 121, Nivea Sun Moisturizing Sun Tan Lotion Bottle.

[22] Filed: **Sep. 21, 1990**

Primary Examiner—Bernard Ansher

[52] U.S. Cl. **D9/347; D9/337; D9/367; D9/377**

Assistant Examiner—Lucy Lieberman

Attorney, Agent, or Firm—Julie Blackburn

[58] Field of Search **D9/347, 341, 337, 367, D9/377, 447, 449, 409, 373; 215/1 R, 1 C, 6, 10**

[57] CLAIM

The ornamental design for a combined bottle and cap with nested vial, as shown and described.

[56] References Cited

DESCRIPTION

U.S. PATENT DOCUMENTS

D. 100,412	7/1936	Carp	D9/347
D. 195,148	4/1963	Marchant	D9/377
D. 219,642	1/1971	Prahs	D9/347
D. 220,864	6/1971	Weckman	D9/347
D. 306,554	3/1990	Lawson	D9/403 X
D. 317,121	5/1991	Crawford et al.	D9/377 X
D. 319,180	8/1991	Balavich	D9/347
D. 319,181	8/1991	Balavich	D9/347
D. 319,182	8/1991	Balavich	D9/347
251,566	12/1881	Fuller	215/6
519,601	5/1894	Dryfoos	215/6
2,493,922	1/1950	Miller	215/6
2,780,225	2/1957	Barr	215/6
5,065,875	11/1991	Balavich	215/10

FIG. 1 is a front perspective view from above of a combined bottle and cap with nested vial showing my new design;
FIG. 2 is a front elevation thereof;
FIG. 3 is a left side elevation thereof;
FIG. 4 is a right side elevation thereof;
FIG. 5 is a rear elevation thereof;
FIG. 6 is a top plan view thereof;
FIG. 7 is a bottom plan view thereof; and,
FIG. 8 is a perspective view of the bottle and cap shown in an exploded condition.

The broken line showing of a bottle neck in FIG. 8 is for illustrative purposes only and does not form part of the claimed design.

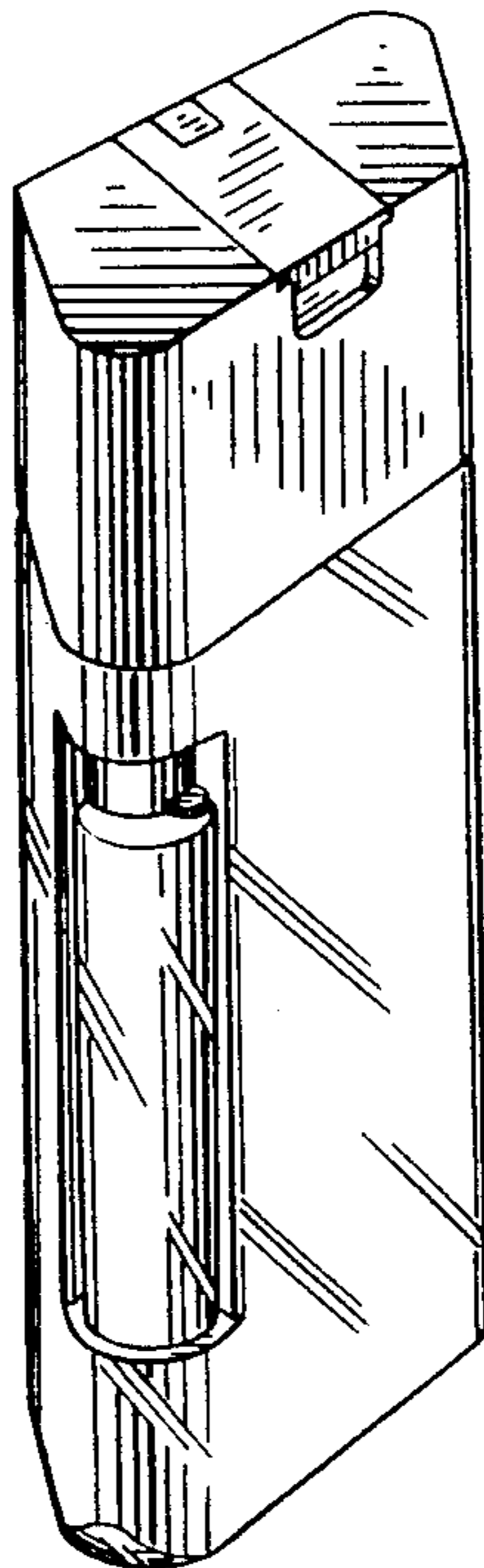


Fig. 1.

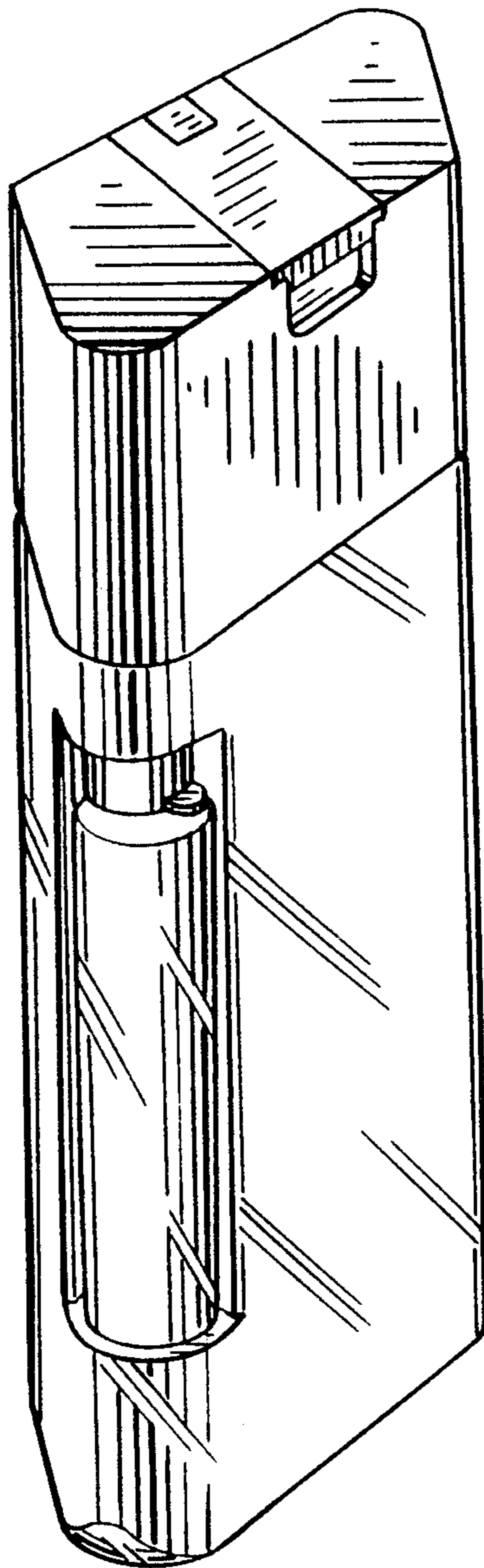


Fig. 6.

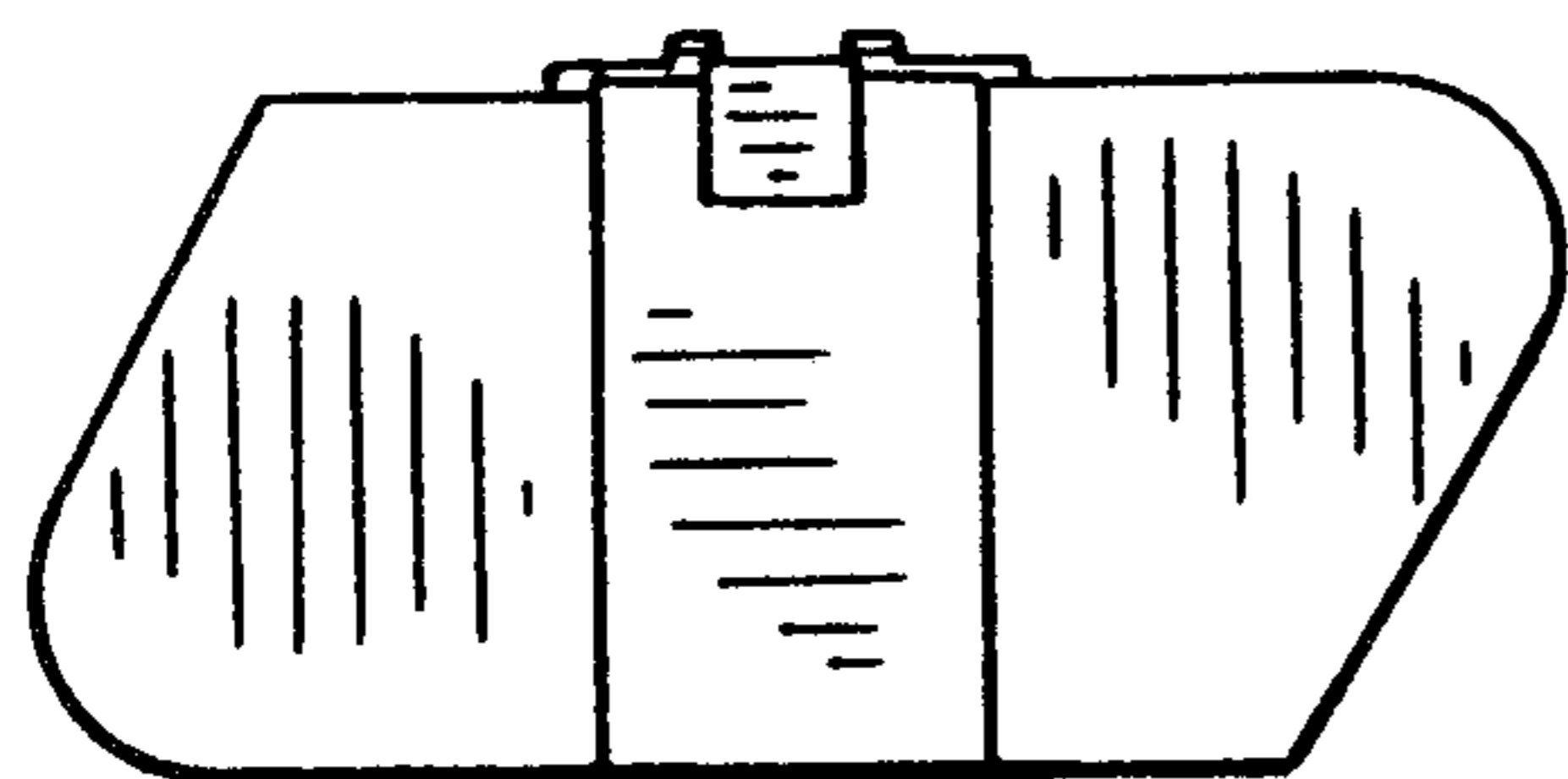


Fig. 7.

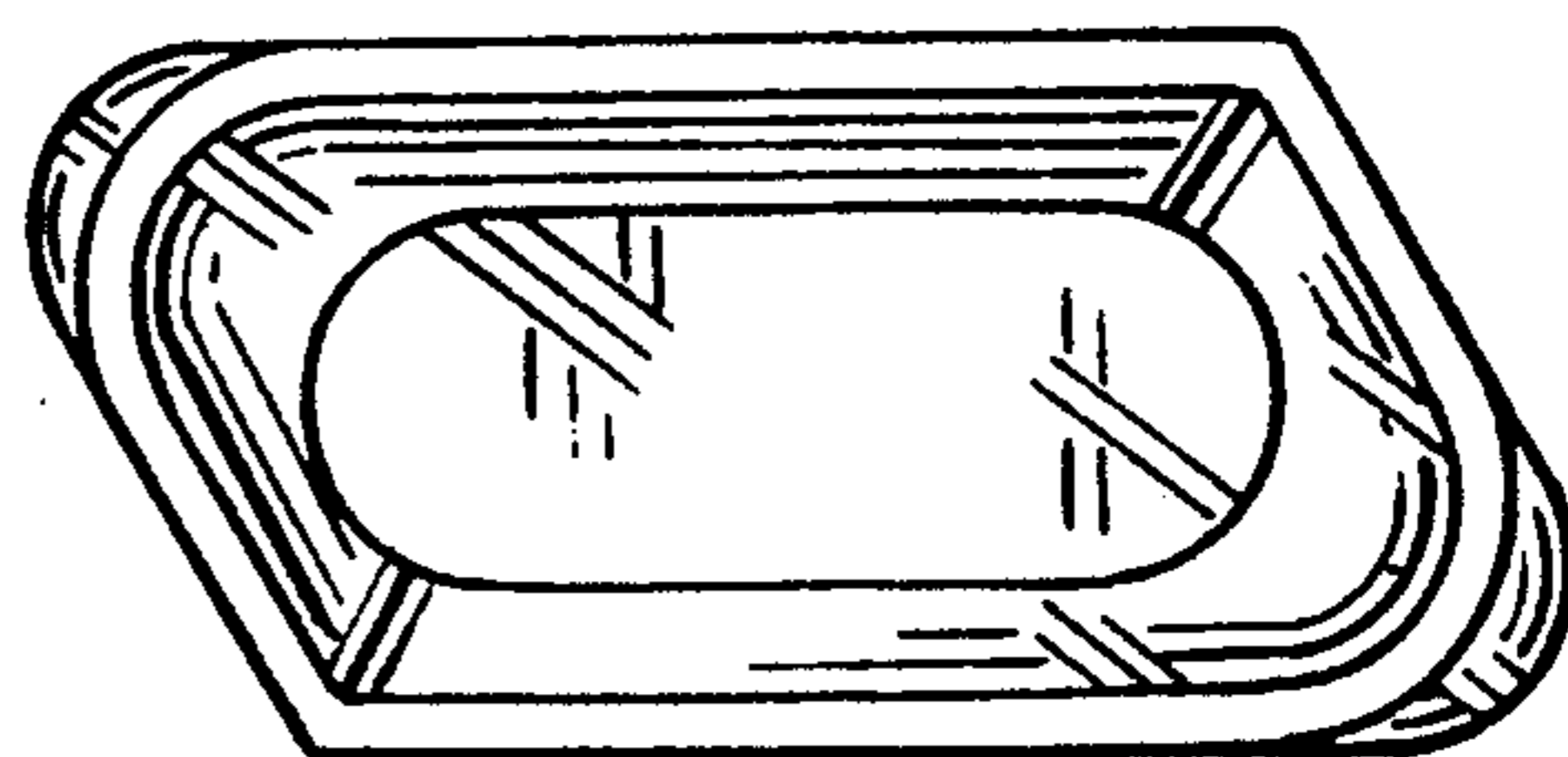


Fig. 2.

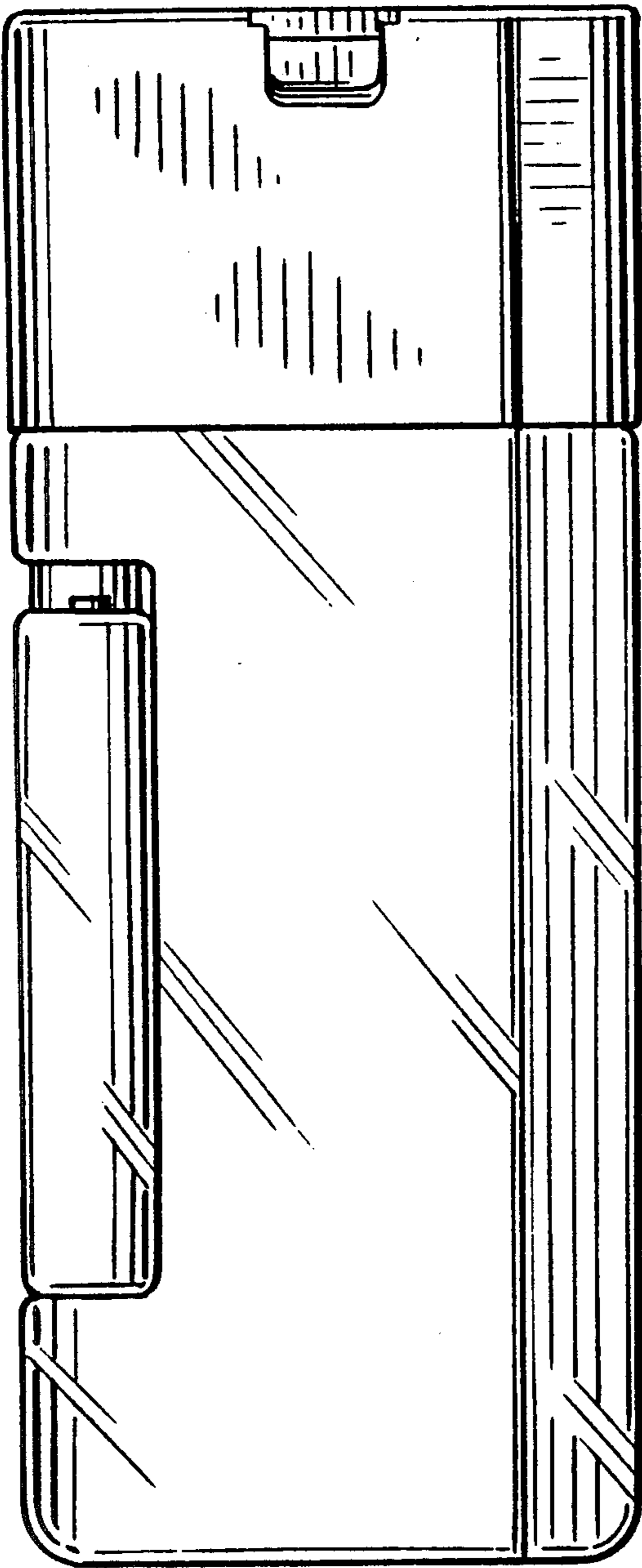


Fig. 3.

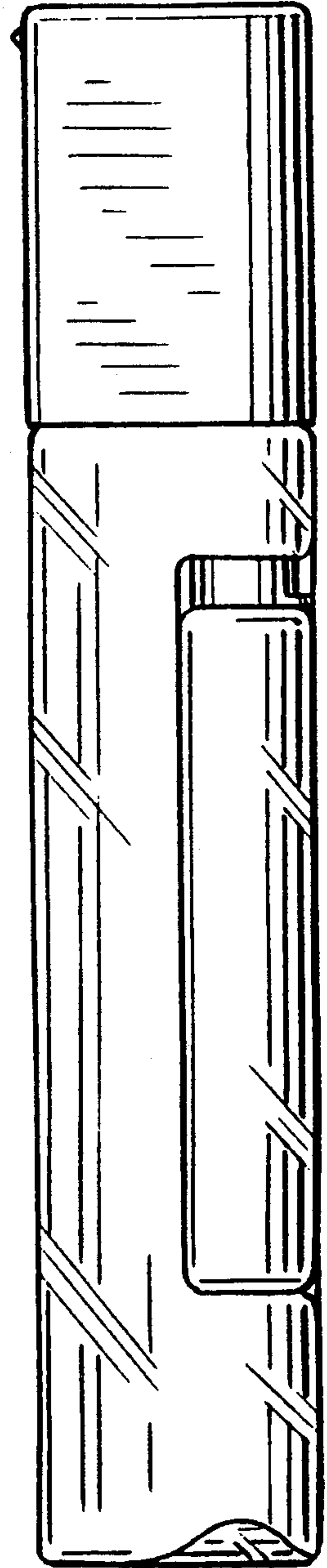


Fig. 4.

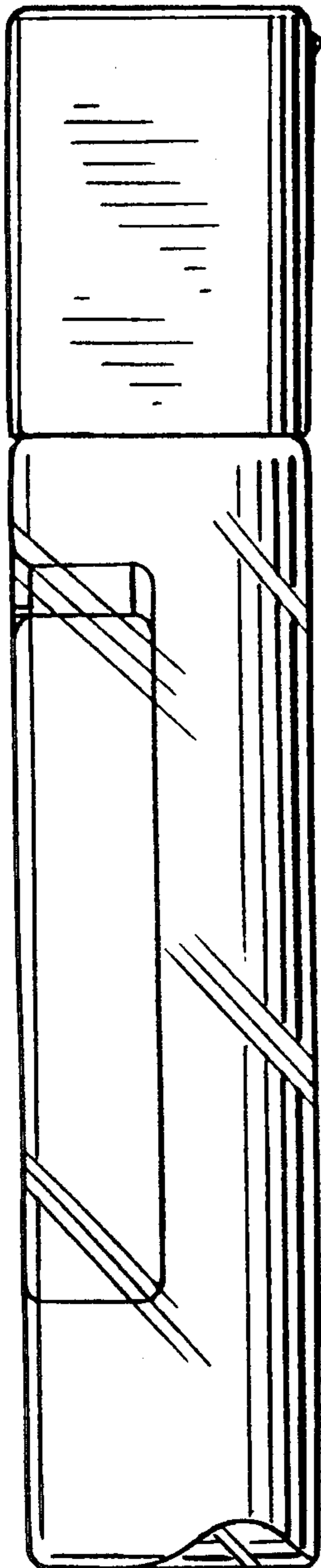


Fig. 5.

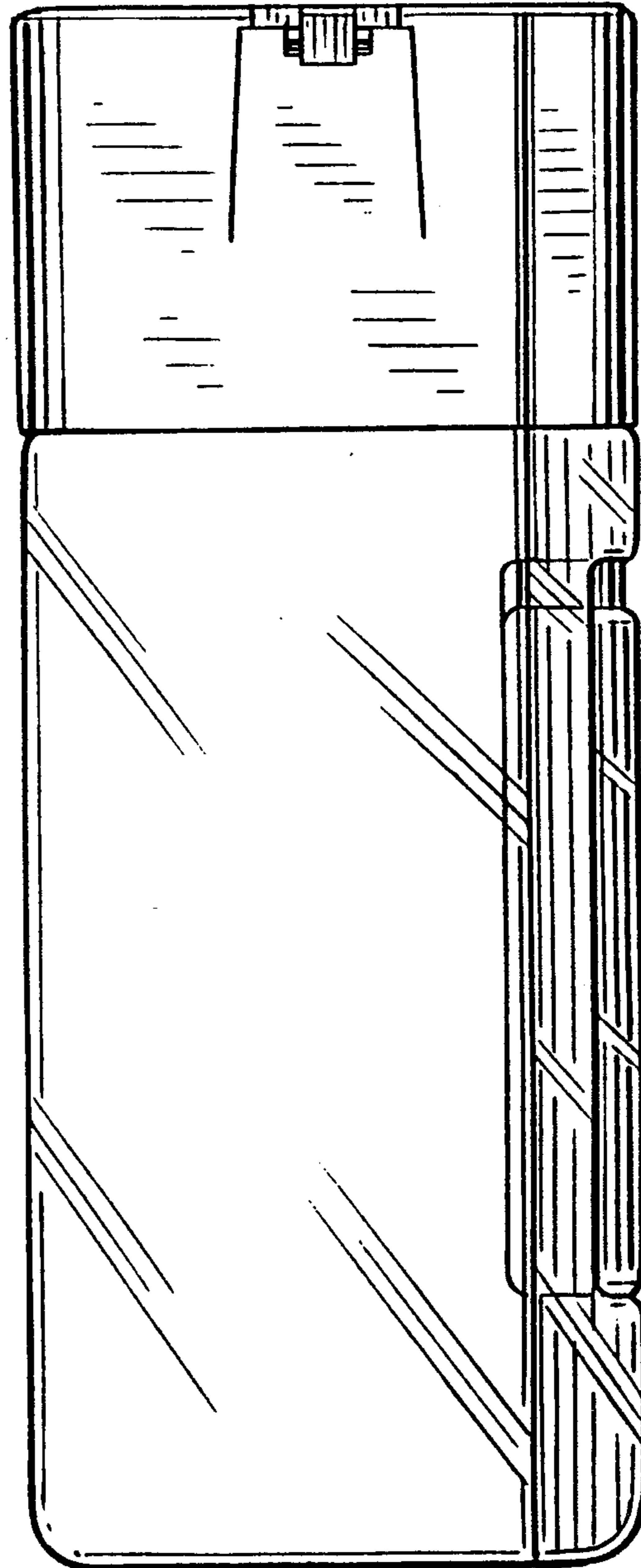


Fig. 6.

