



US00D325332S

United States Patent [19]

[11] Patent Number: **Des. 325,332**

Oberhelman et al.

[45] Date of Patent: **** Apr. 14, 1992**

[54] BICYCLE LOCK HOUSING

4,811,577 3/1989 Webster et al. 70/45 X

[76] Inventors: **Ralph Oberhelman; Mark Bradley,**
both of 760 W. Simpson St.,
Lafayette, Colo. 80026

OTHER PUBLICATIONS

Ametek-Hunter Spring Division brochure "Custom-Designed Reels".

[**] Term: **14 Years**

Primary Examiner—Brian N. Vinson
Attorney, Agent, or Firm—Charles C. Corbin

[21] Appl. No.: **547,094**

[57] CLAIM

[22] Filed: **Jul. 2, 1990**

The ornamental design for a bicycle lock housing, as shown and described.

[52] U.S. Cl. **D8/333; D8/358**

[58] Field of Search **D8/330-346,**
D8/356, 358; 70/14, 58, 233-236, 30, 49

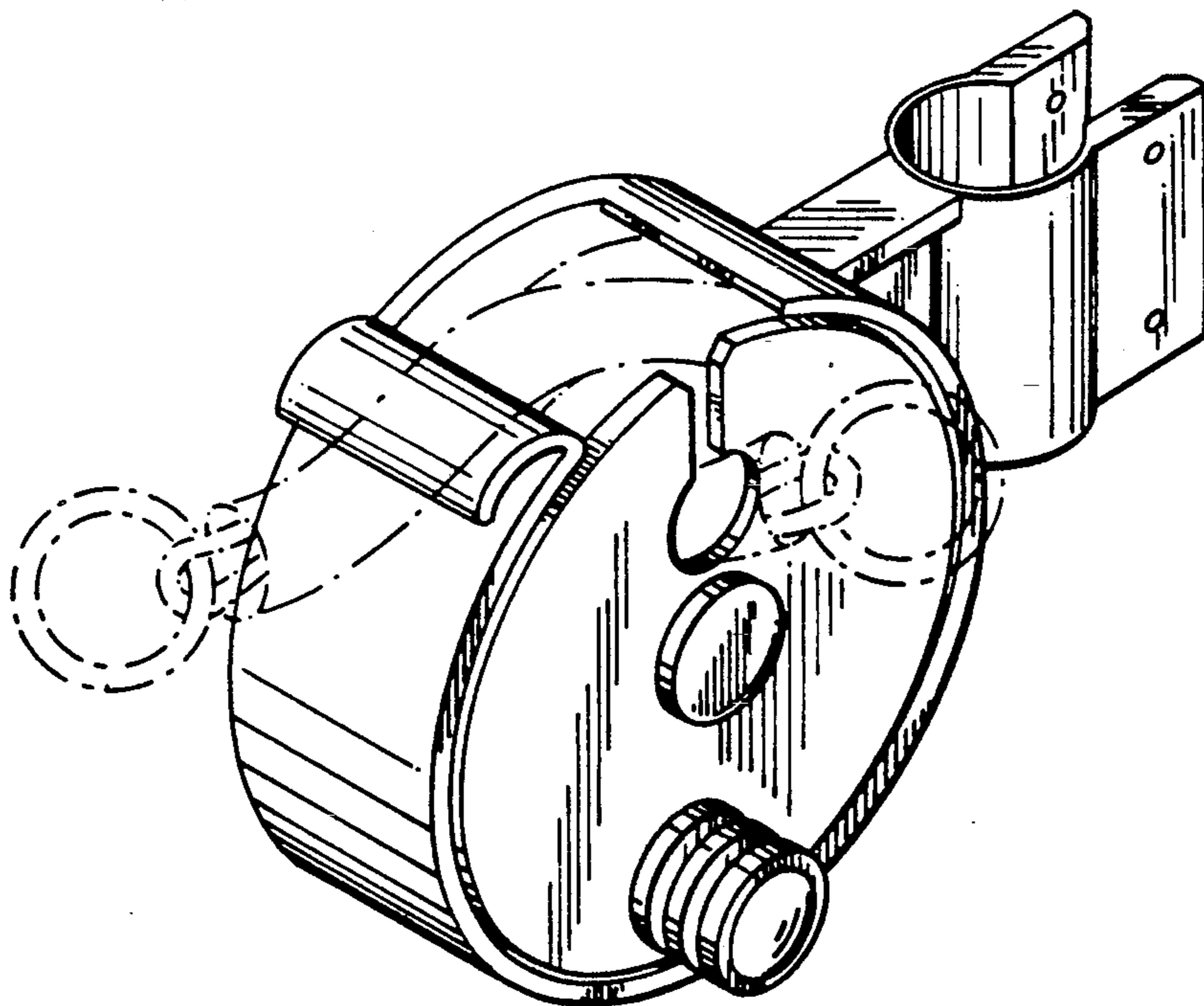
DESCRIPTION

[56] References Cited

U.S. PATENT DOCUMENTS

D. 272,986	3/1984	DeStefano	D8/331
D. 313,166	12/1990	Kovacik et al.	D8/358
4,098,099	7/1978	Smith	70/49 X
4,188,808	2/1980	Valdez	70/49 X
4,404,822	9/1983	Green	70/49 X
4,543,806	10/1985	Papandrea et al.	70/30

FIG. 1 is a top, front, and right side elevational view of a bicycle lock housing showing our new design;
FIG. 2 is a top plan view thereof;
FIG. 3 is a bottom plan view thereof;
FIG. 4 is a left side elevational view thereof;
FIG. 5 is a front elevational view thereof;
FIG. 6 is a right side elevational view thereof; and,
FIG. 7 is a rear elevational view thereof.



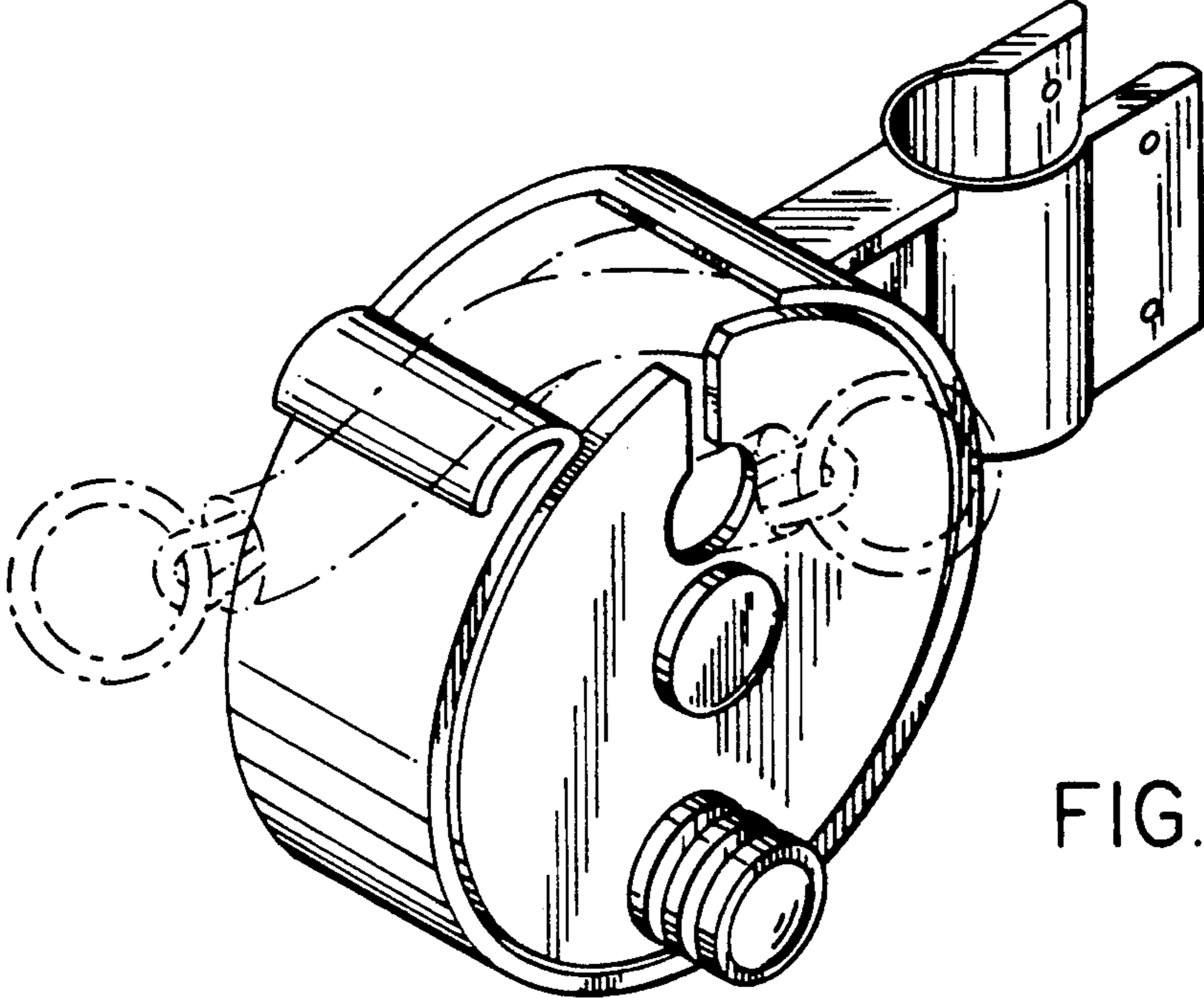


FIG. 1.

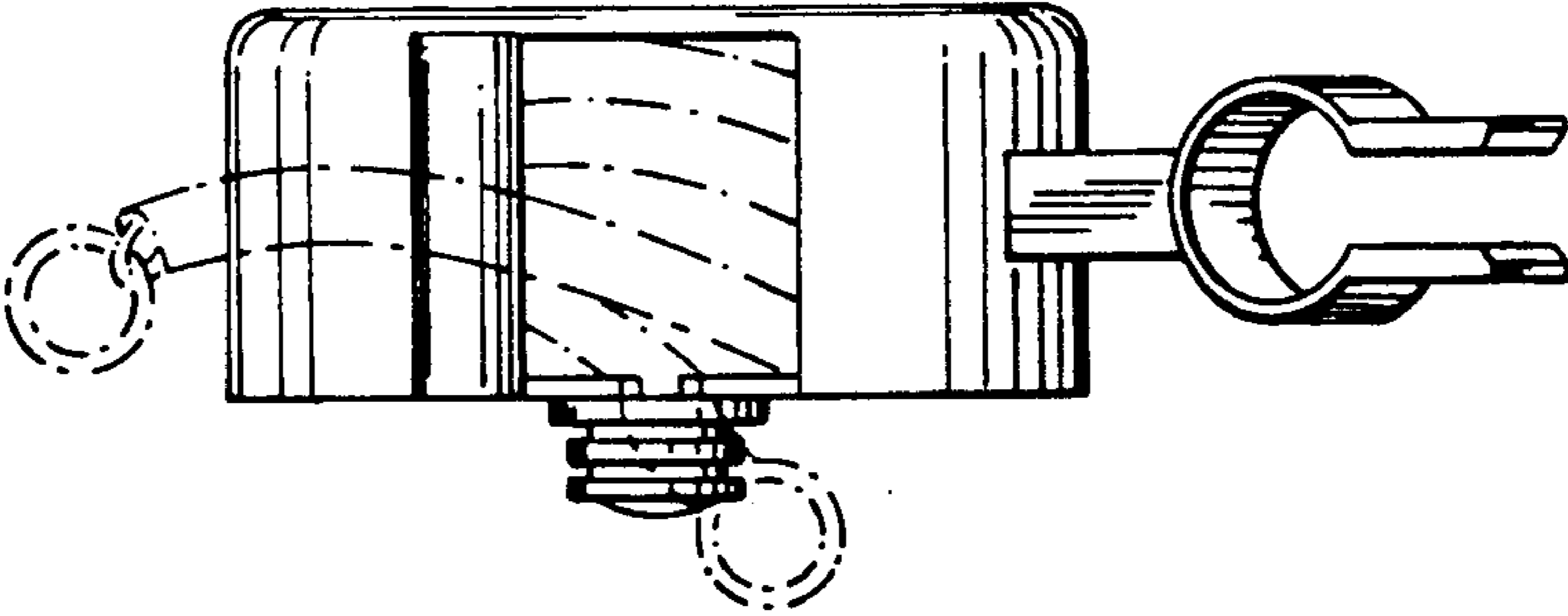


FIG. 2.

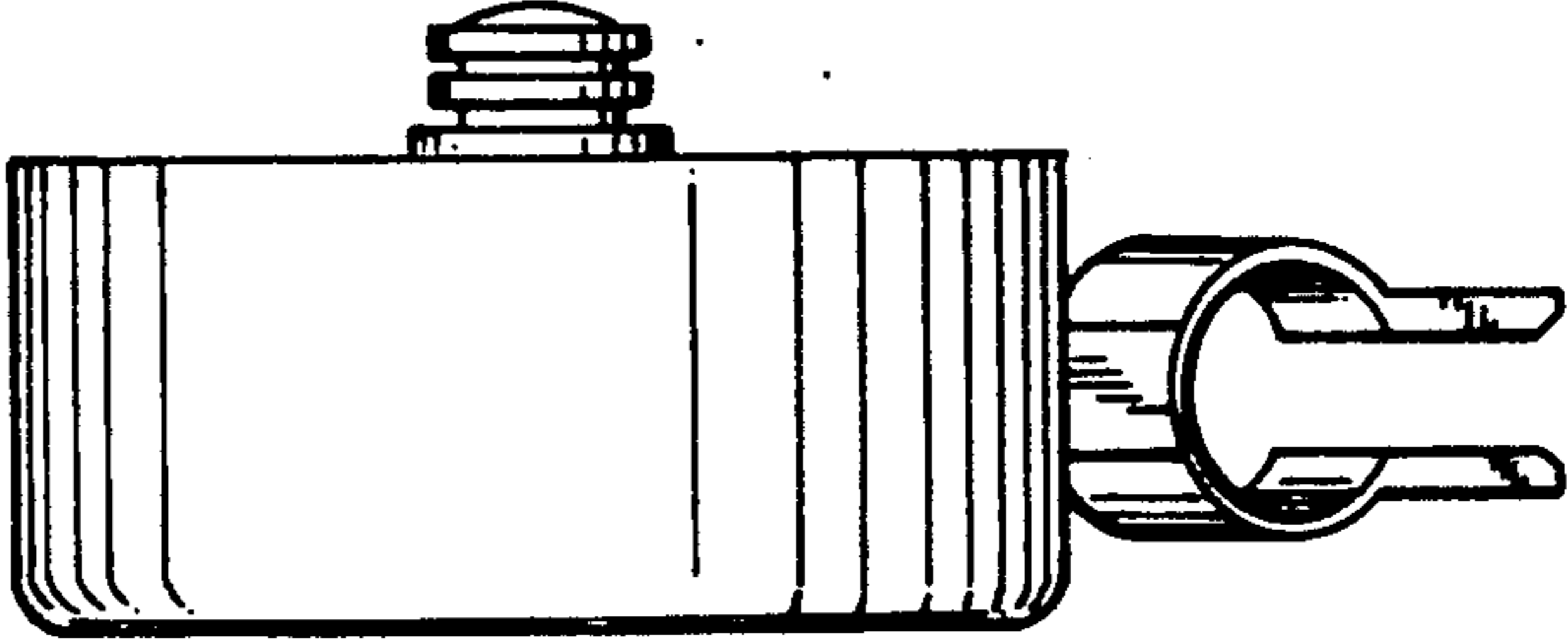


FIG. 3.

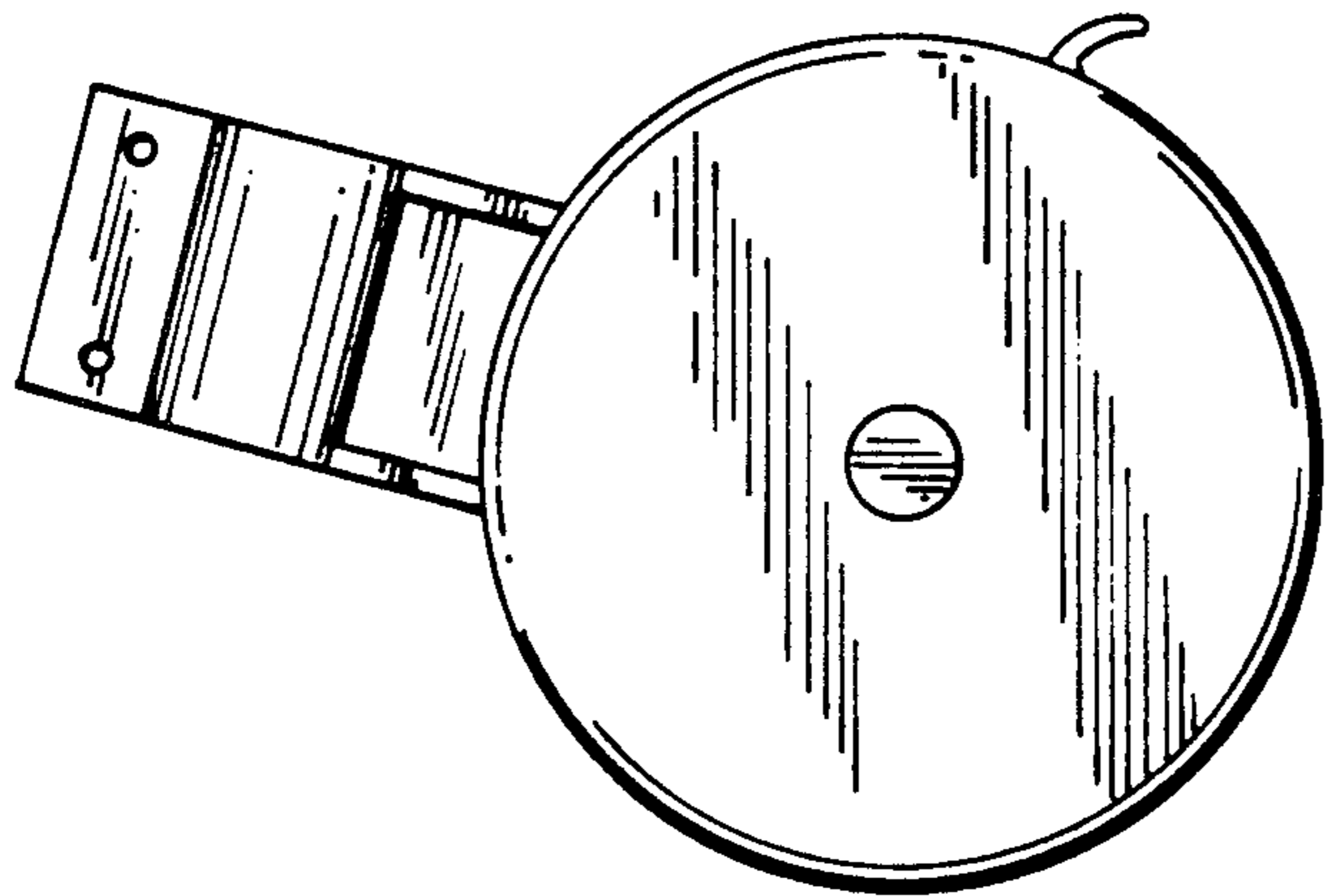


FIG. 4.

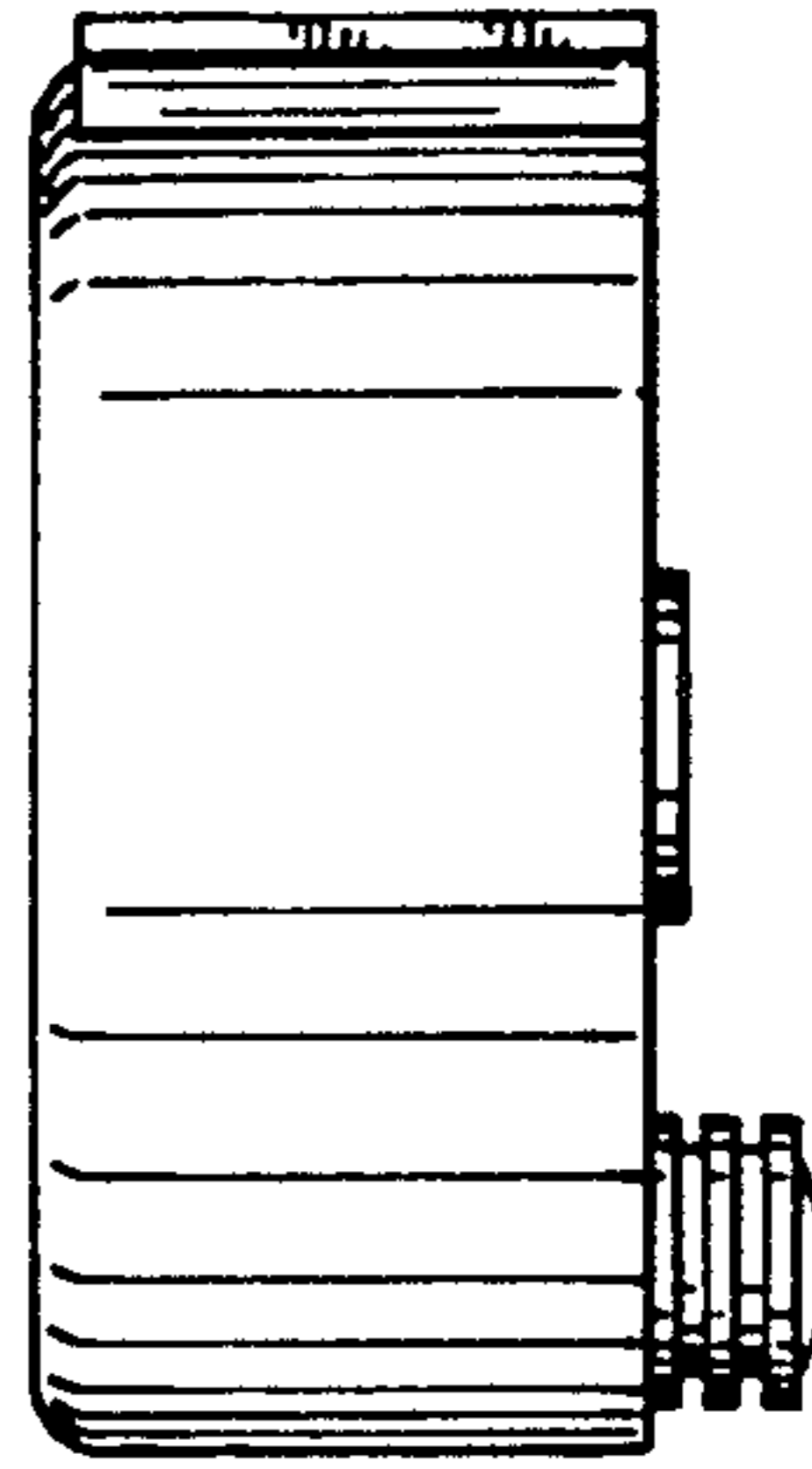


FIG. 5.

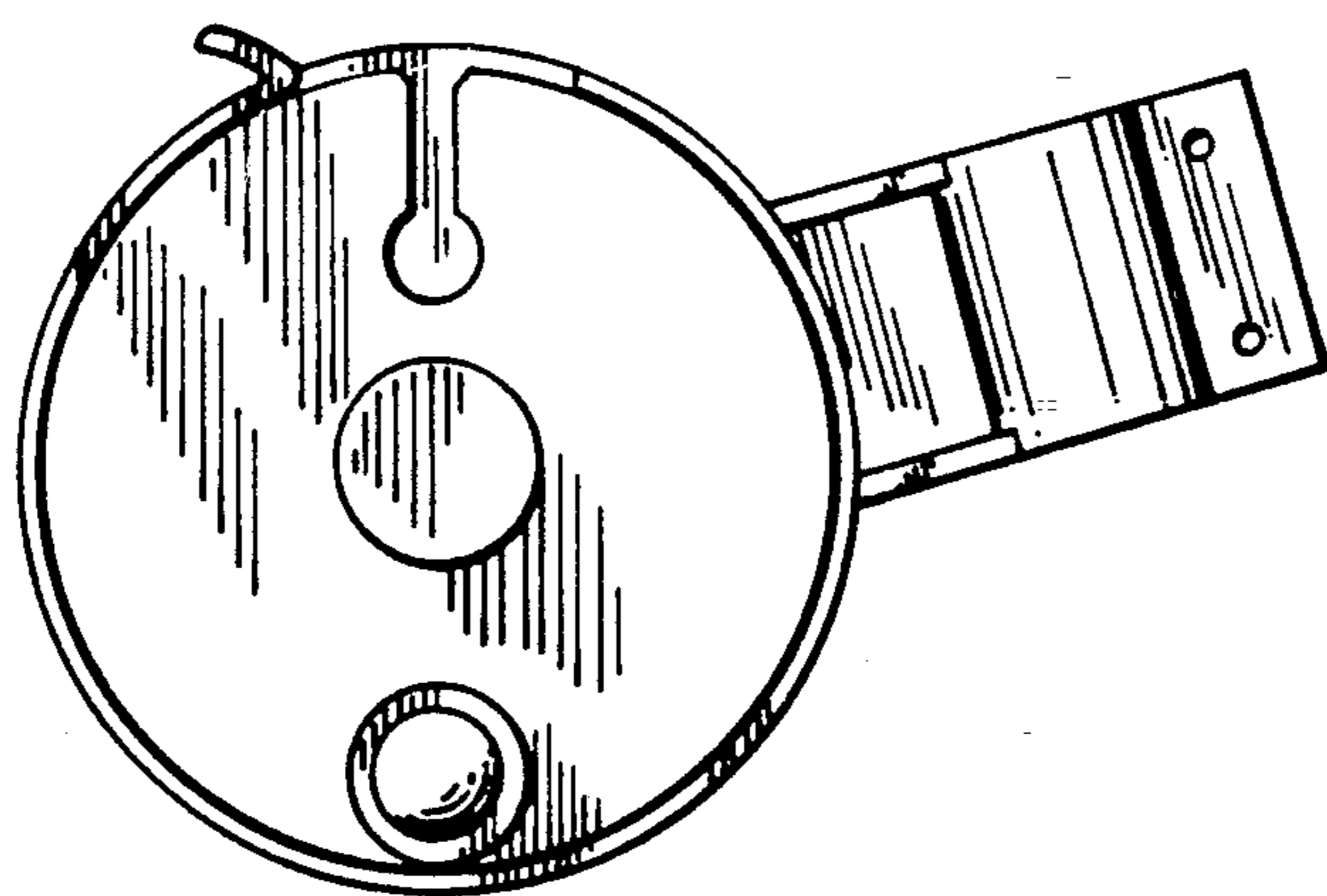


FIG. 6.

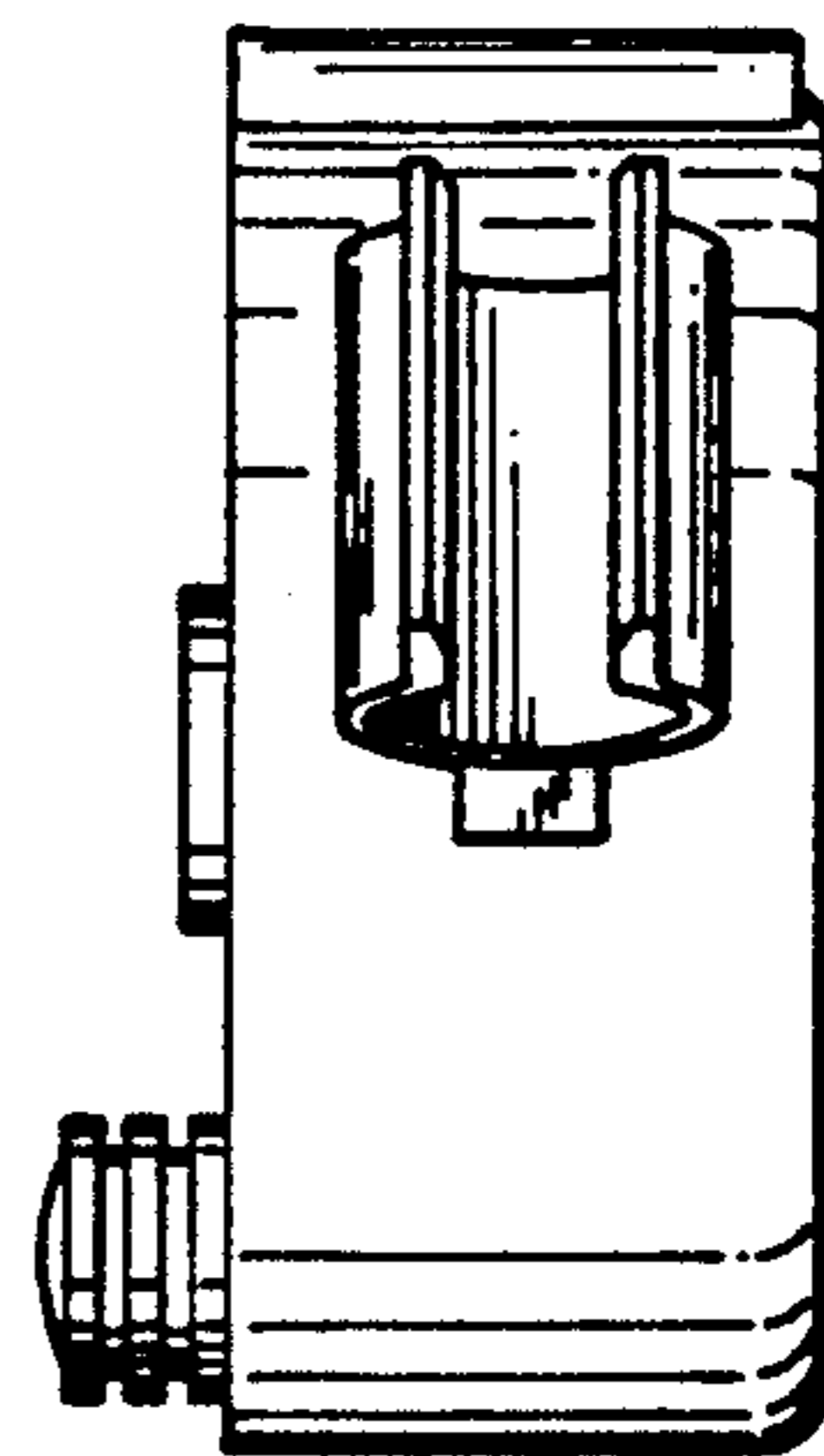


FIG. 7.