



US00D325331S

# United States Patent [19]

[11] Patent Number: **Des. 325,331**

**Onstad**

[45] Date of Patent: **\*\* Apr. 14, 1992**

[54] **TOILET SEAT LIFTING TAB**

[76] Inventor: **Richard T. Onstad**, 13 Fountain Cir.,  
Fond du Lac, Wis. 54935

[\*\*] Term: **14 Years**

[21] Appl. No.: **391,849**

[22] Filed: **Aug. 10, 1989**

[52] U.S. Cl. .... **D8/307**

[58] Field of Search ..... **D8/14, 307; D23/311,  
D23/312; 4/237, 251**

D. 295,604	5/1988	Purdy .....	D8/307
D. 296,658	7/1988	Mead et al. ....	D8/300
D. 308,244	5/1990	Leonakis .....	D8/307
D. 308,813	6/1990	Robinson .....	D8/307
3,191,193	6/1965	Bogenberger .....	4/251
4,512,046	4/1985	Riggle .....	4/251

*Primary Examiner*—Bernard Ansher  
*Assistant Examiner*—Philip Hyder  
*Attorney, Agent, or Firm*—Donald Cayen

### [57] CLAIM

The ornamental design for a toilet seat lifting tab, as shown.

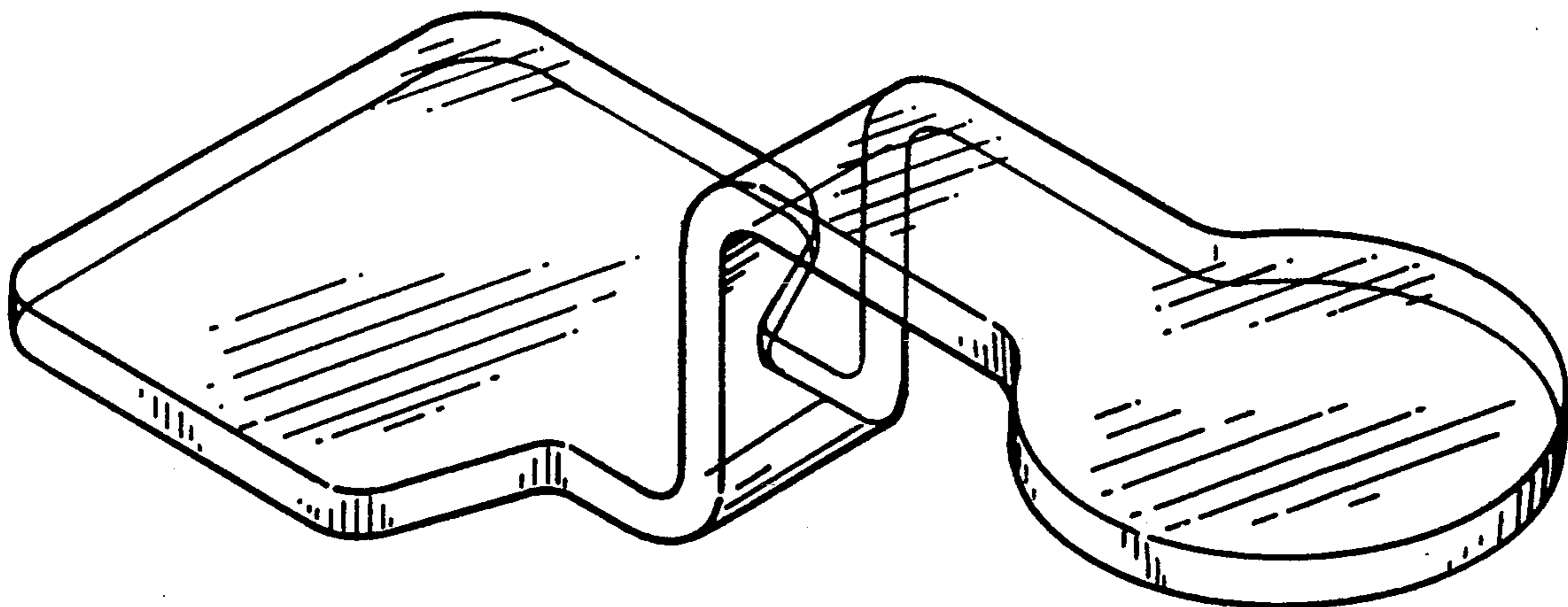
### DESCRIPTION

FIG. 1 is a perspective view of a toilet seat lifting tab showing my design;  
FIG. 2 is a top view plan thereof; and,  
FIG. 3 is a front elevational view thereof.

### [56] References Cited

#### U.S. PATENT DOCUMENTS

D. 191,497	10/1961	Hottle .....	D8/300
D. 237,797	11/1975	Hermann .....	D8/307
D. 245,095	7/1977	Murray .....	D8/307
D. 295,603	5/1988	Giallourakis .....	D8/307



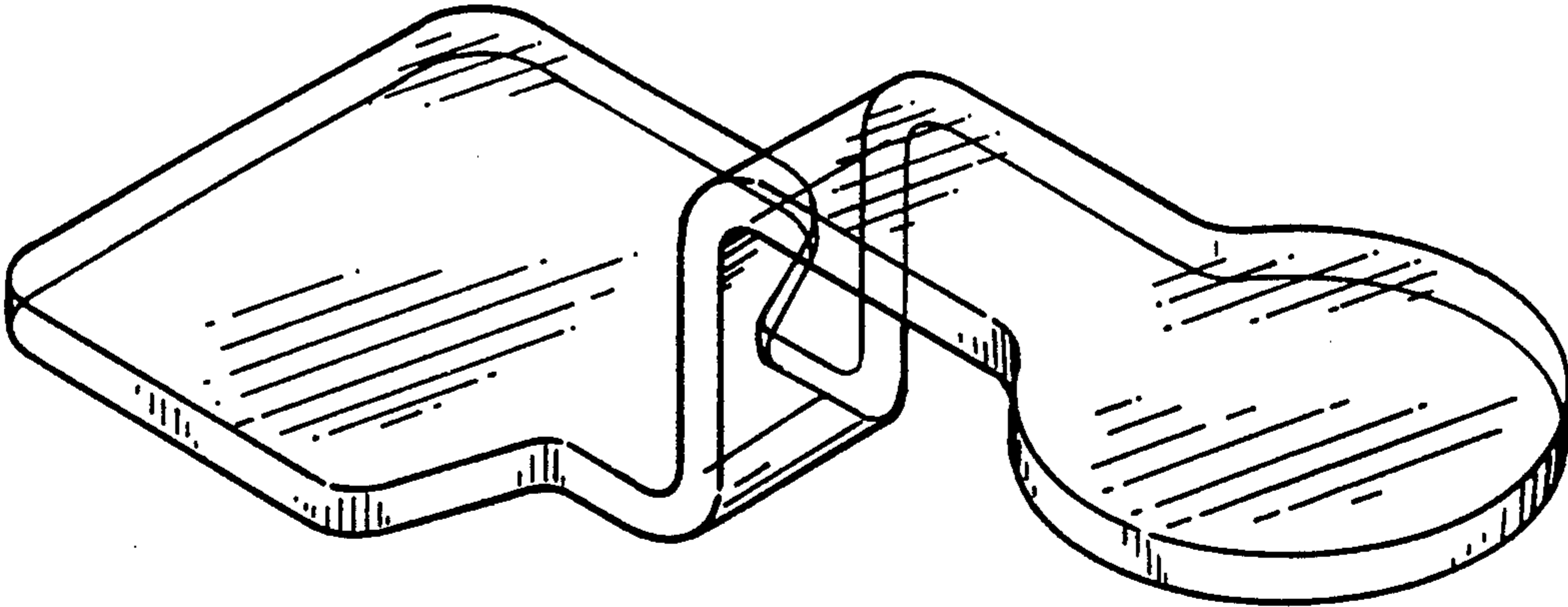


FIG 1

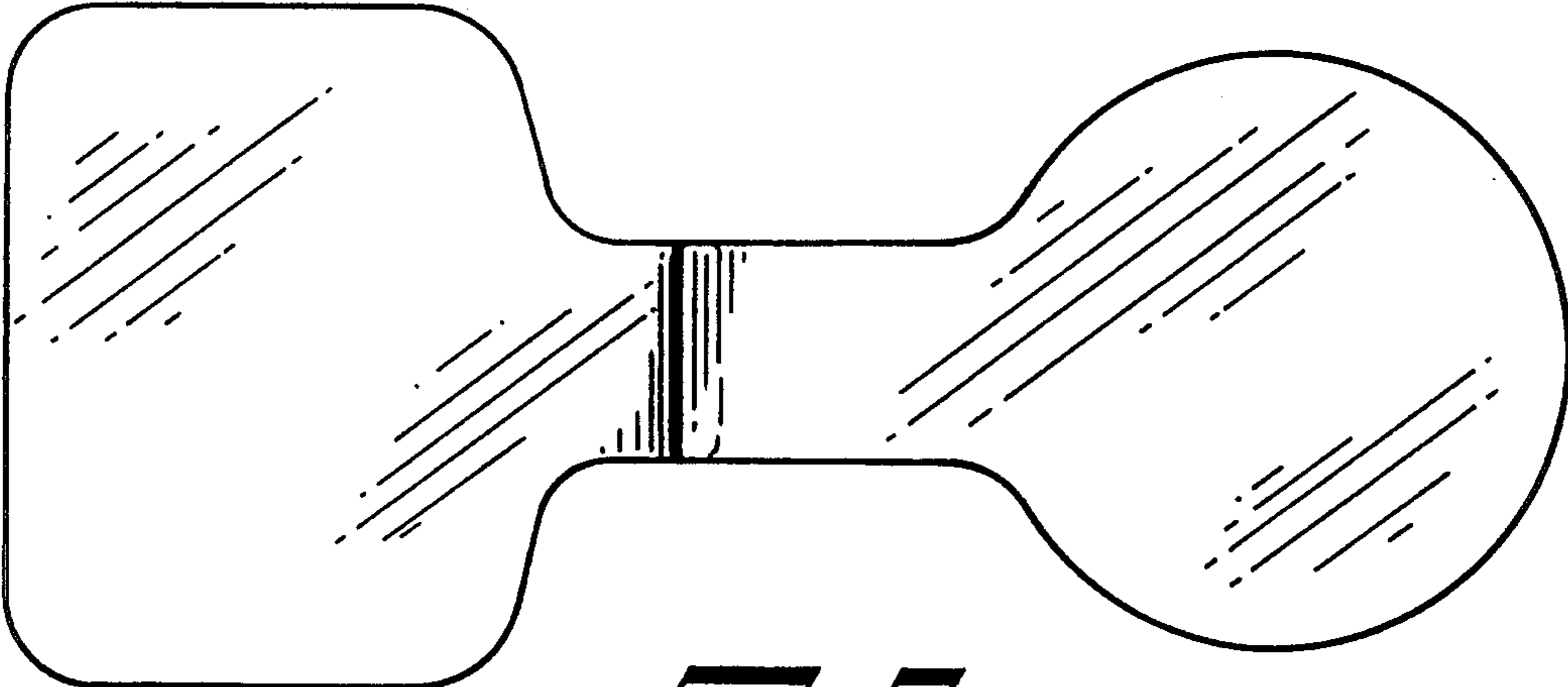


FIG 2

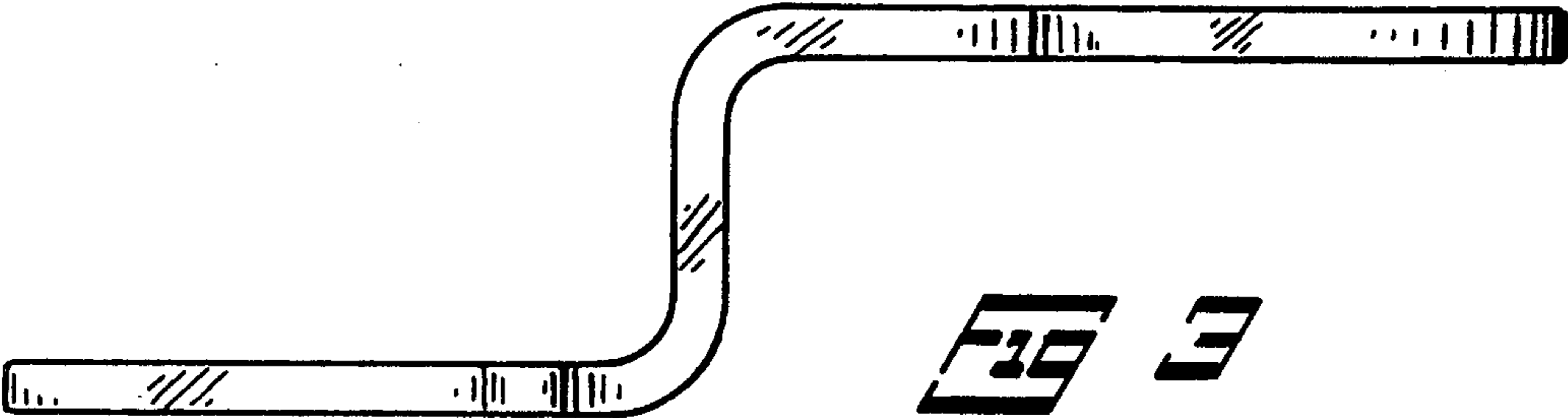


FIG 3