



US00D325329S

# United States Patent [19]

[11] Patent Number: **Des. 325,329**

Merles

[45] Date of Patent: **\*\* Apr. 14, 1992**

[54] **LIP OPENER**

4,327,607 5/1982 Morris ..... 81/3.36  
4,702,130 10/1987 Davis ..... 81/3.56

[76] Inventor: **Robin L. Merles, 5521 Croydon Ct.,  
Boca Raton, Fla. 33486**

*Primary Examiner*—Terry A. Pfeffer  
*Attorney, Agent, or Firm*—Oltman and Flynn

[\*\*] Term: **14 Years**

[57] **CLAIM**

[21] Appl. No.: **468,955**

The ornamental design for a lid opener, as shown and described.

[22] Filed: **Jan. 19, 1990**

[52] U.S. Cl. .... **D8/39**

[58] Field of Search ..... D8/33, 39, 40, 41;  
81/3.07, 3.44, 3.46, 3.56

**DESCRIPTION**

[56] **References Cited**

**U.S. PATENT DOCUMENTS**

|            |         |         |       |           |
|------------|---------|---------|-------|-----------|
| D. 145,647 | 9/1946  | Stewart | ..... | D8/39     |
| 2,248,166  | 8/1941  | Eilers  | ..... | 81/3.1    |
| 2,473,870  | 6/1949  | Eastman | ..... | 81/3.36   |
| 2,592,679  | 4/1952  | Gedde   | ..... | 81/3.56 X |
| 2,593,358  | 4/1952  | Sprich  | ..... | 81/3.46   |
| 2,722,857  | 11/1955 | Lacey   | ..... | D8/39 X   |
| 2,723,451  | 11/1955 | Frank   | ..... | D8/39 X   |
| 2,757,561  | 8/1956  | Larner  | ..... | 81/3.44   |
| 2,961,902  | 11/1960 | Chapman | ..... | 81/3.46   |

FIG. 1 is a top plan view of a lid opener showing ny new design;  
FIG. 2 is a left side elevational view thereof;  
FIG. 3 is a front elevational view thereof;  
FIG. 4 is a rear elevational view thereof;  
FIG. 5 is a bottom plan view thereof;  
FIG. 6 is a right side elevational view thereof;  
FIG. 7 is a sectional view taken along line 7-7 of FIG. 1;  
FIG. 8 is a left side elevational view thereof in an open position;  
FIG. 9 is a top plan view of FIG. 8; and,  
FIG. 10 is a front elevational view of FIG. 8.

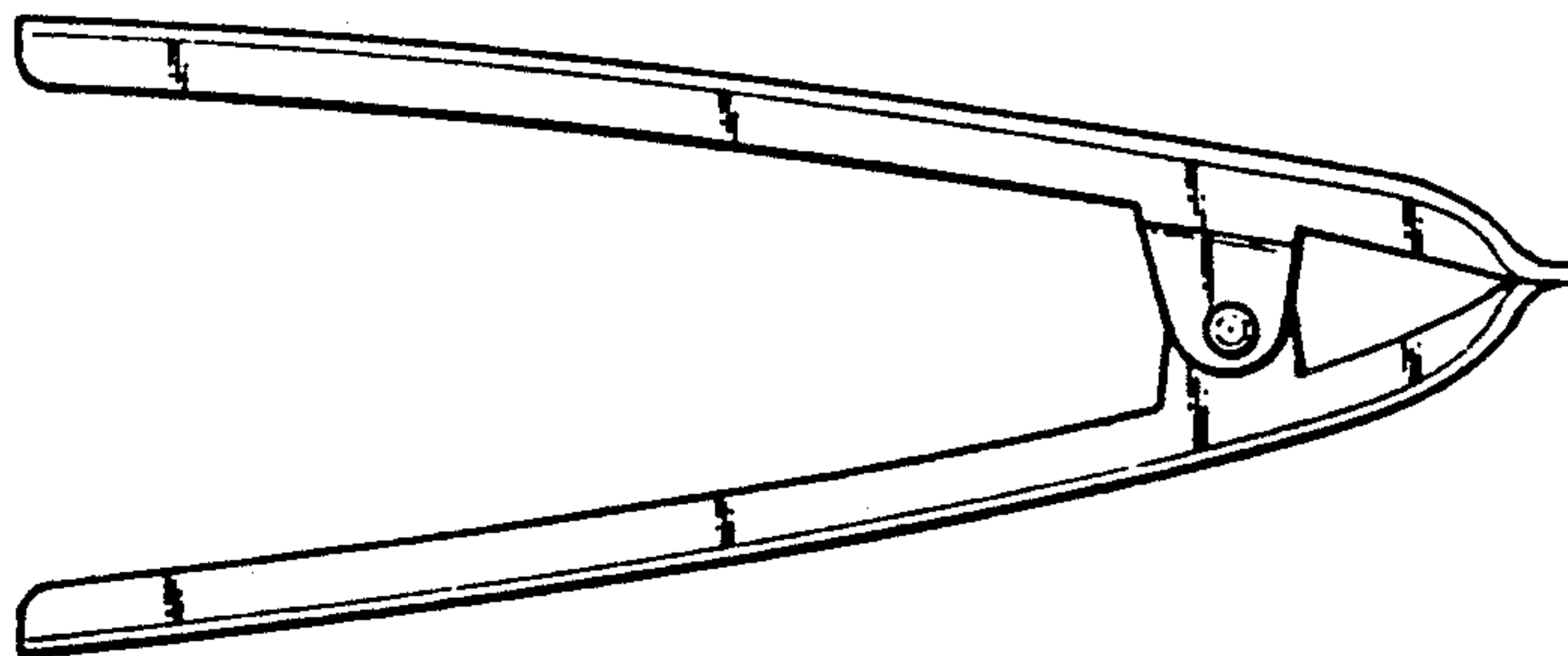


FIG. 6

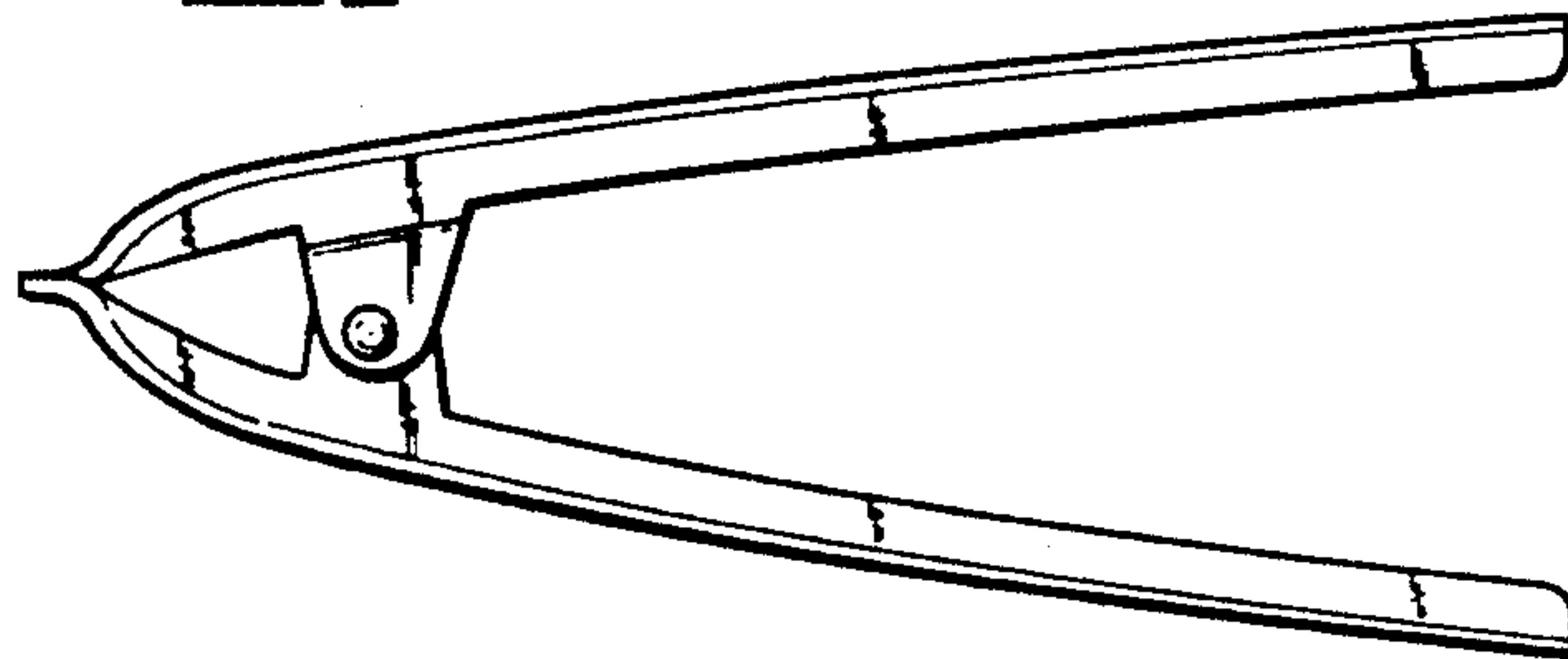


FIG. 1



FIG. 4

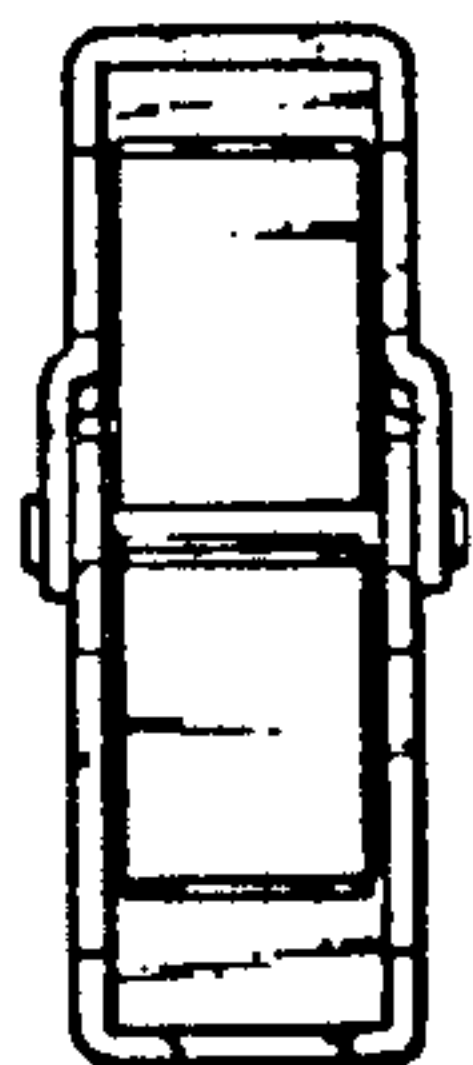


FIG. 3

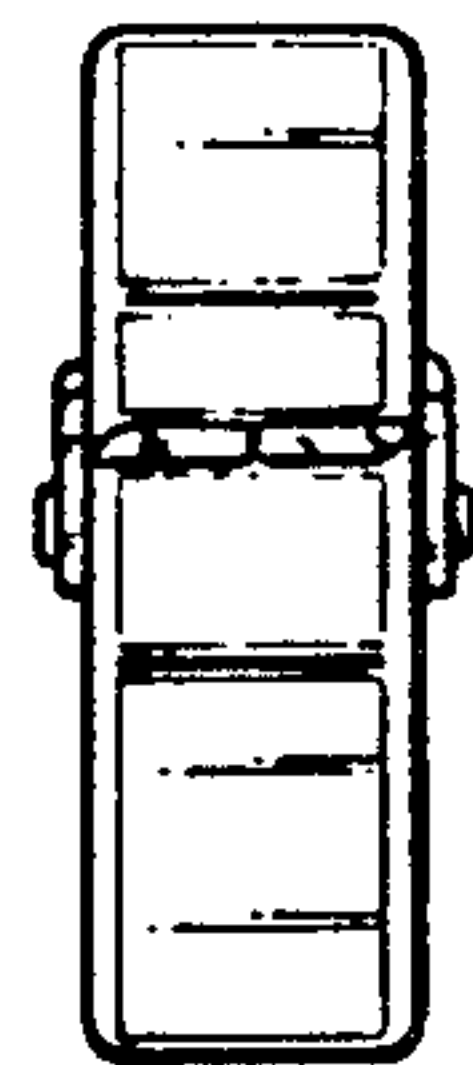


FIG. 2

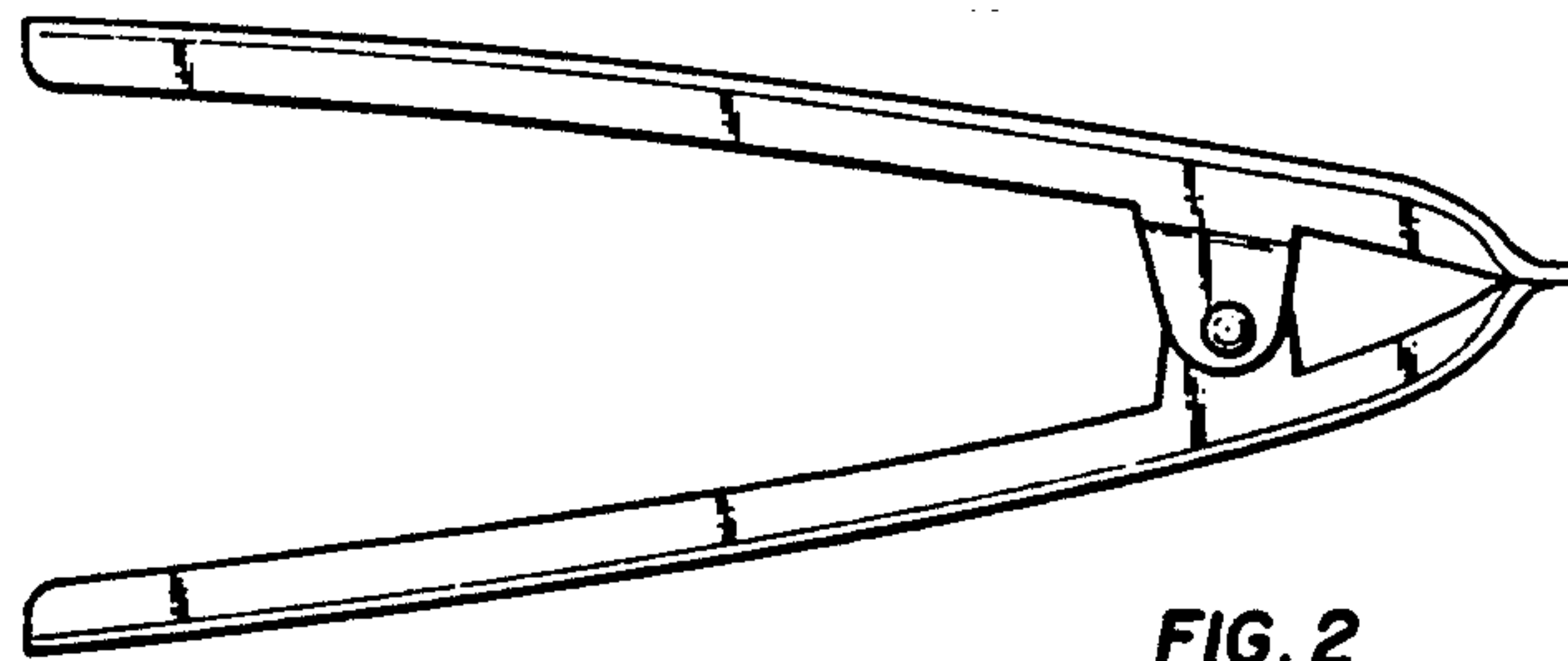


FIG. 5

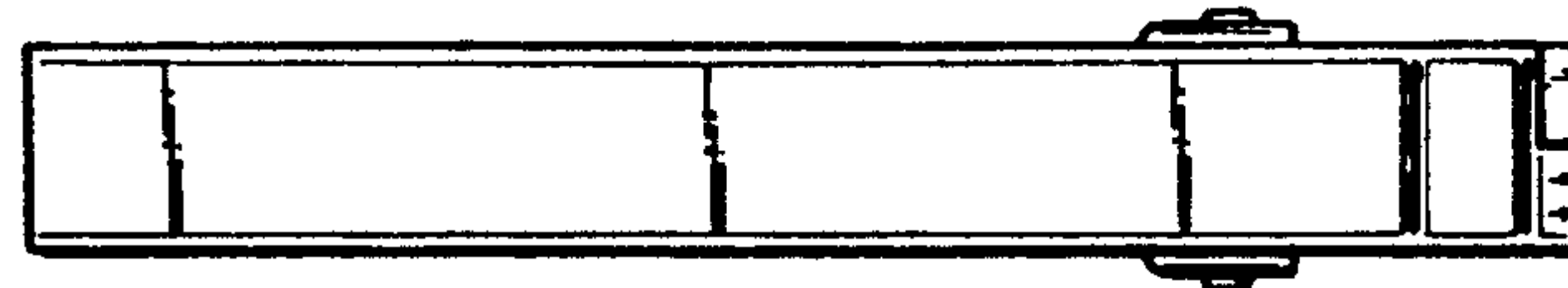


FIG. 7

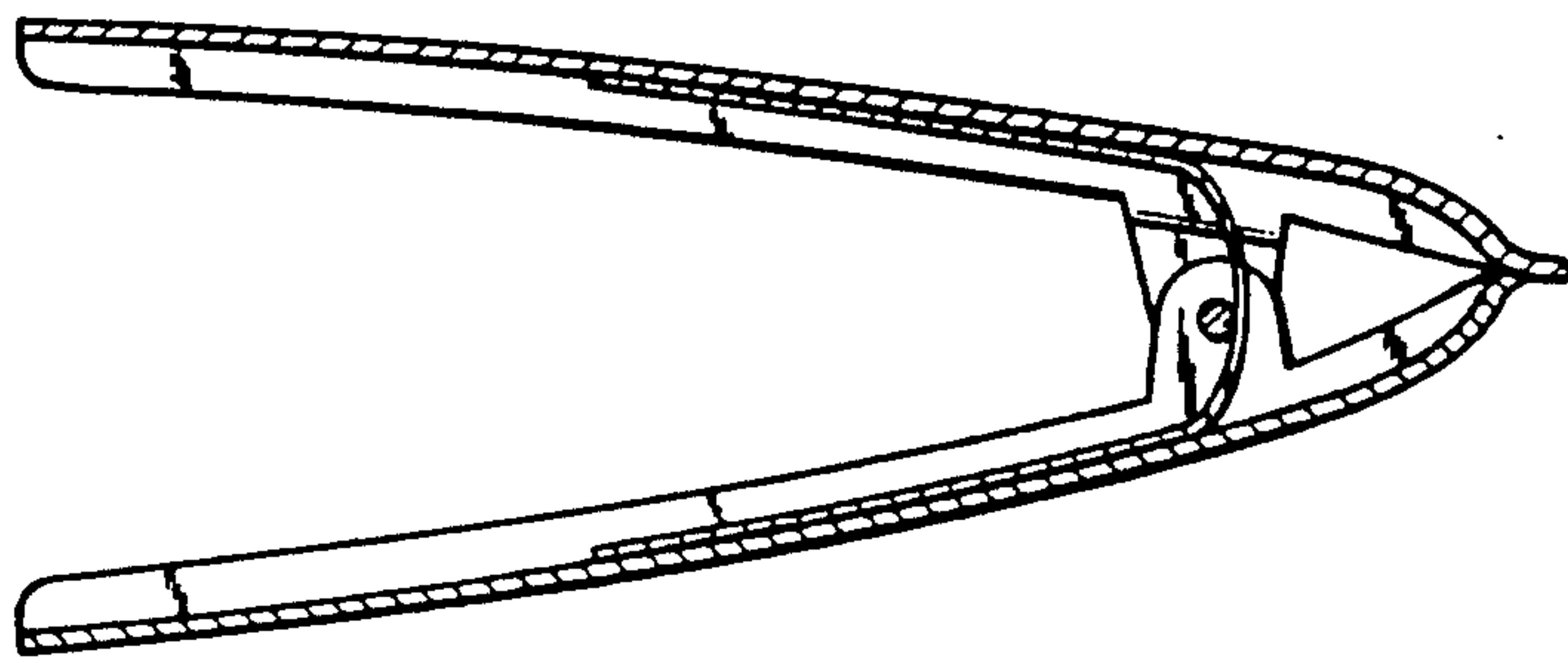


FIG. 9

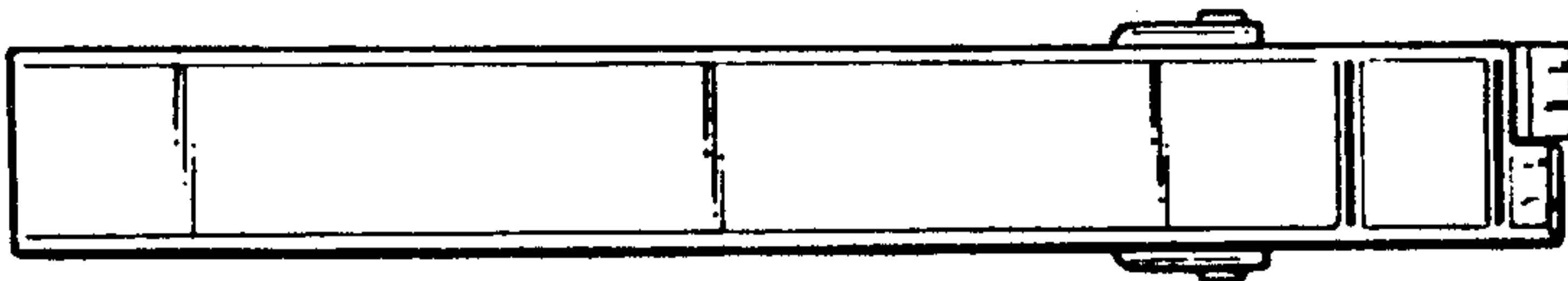


FIG. 10

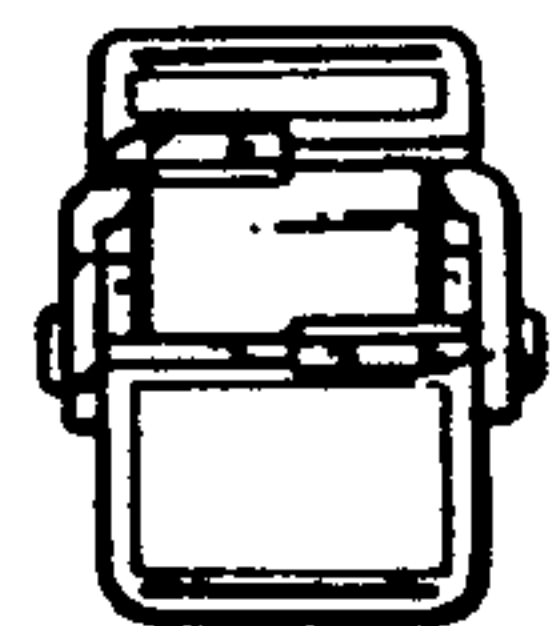


FIG. 8

