



US00D325328S

United States Patent [19]

Smiley

[11] Patent Number: **Des. 325,328**

[45] Date of Patent: **** Apr. 14, 1992**

[54] **FLOW CONTROLLER FOR ATTACHMENT TO A LANDSCAPE IRRIGATION FITTING**

3,834,628 9/1974 Selman 47/48.5 X
4,562,959 1/1986 Pointer, Jr. 47/79 X

[76] Inventor: **Howard F. Smiley**, 3243 W. Spruce Ave., Fresno, Calif. 93711

Primary Examiner—Susan J. Lucas
Assistant Examiner—M. H. Tung
Attorney, Agent, or Firm—Worrel & Worrel

[**] Term: **14 Years**

[57] **CLAIM**

[21] Appl. No.: **728,954**

The ornamental design for the flow controller for attachment to a landscape irrigation fitting, as shown and described.

[22] Filed: **Jul. 11, 1991**

[52] U.S. Cl. **D8/1**

[58] Field of Search **D23/200, 213; D8/1-2; 47/1.7, 48.5, 59-65, 79-82**

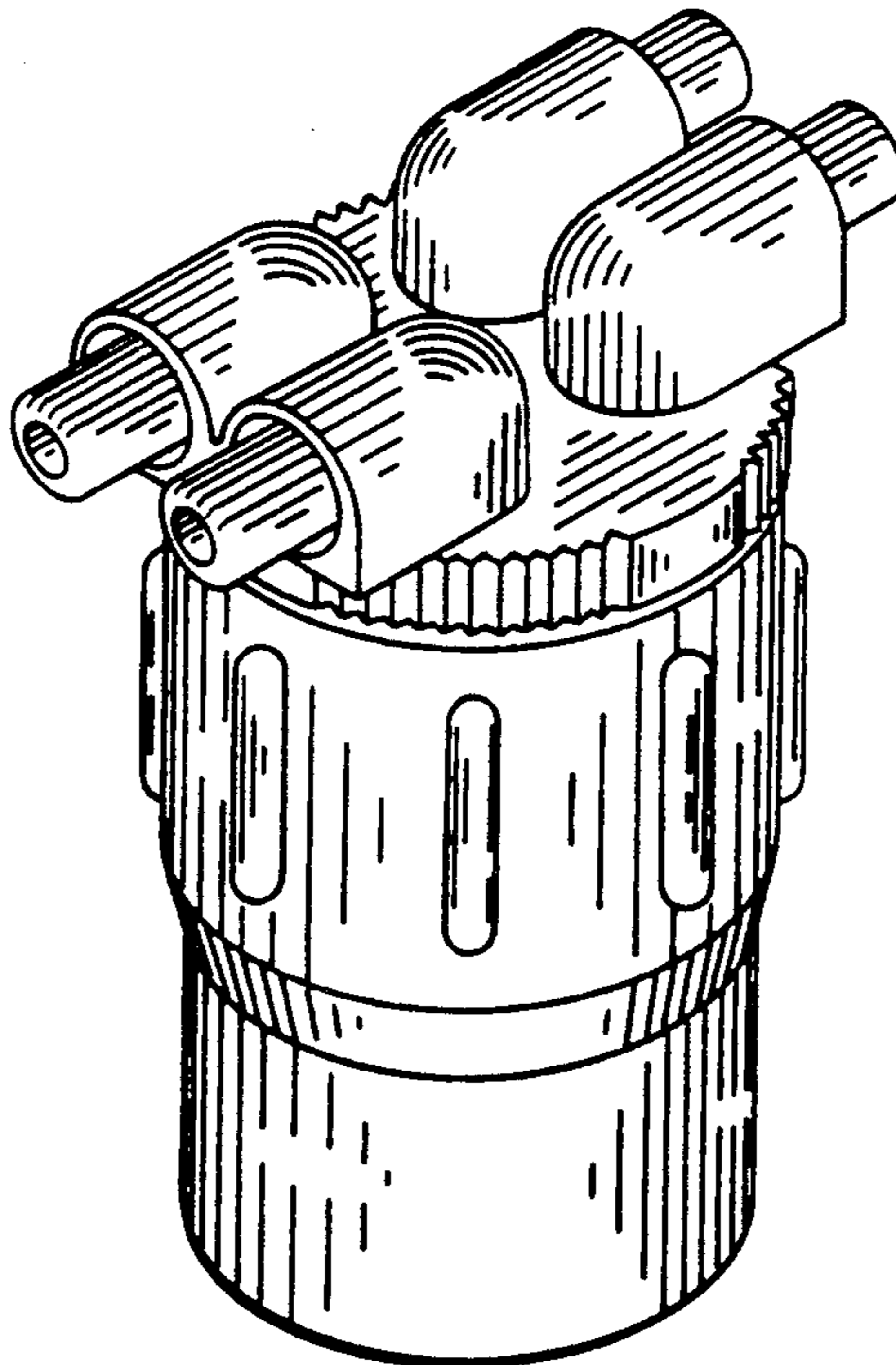
DESCRIPTION

[56] **References Cited**

U.S. PATENT DOCUMENTS

- D. 216,512 1/1970 Geleziunas D23/213
- D. 234,515 3/1975 Masters D23/213
- D. 278,075 3/1985 Dryden D8/1
- D. 319,291 8/1991 Hanzel D23/213

FIG. 1 is a perspective view of a flow controller for attachment to a landscape irrigation fitting design; FIG. 2 is a side elevational view thereof; FIG. 3 is a front elevational view thereof; FIG. 4 is a top plan view thereof; FIG. 5 is an opposite side elevational view thereof; FIG. 6 is a rear elevational view thereof; and, FIG. 7 is a bottom plan view thereof.



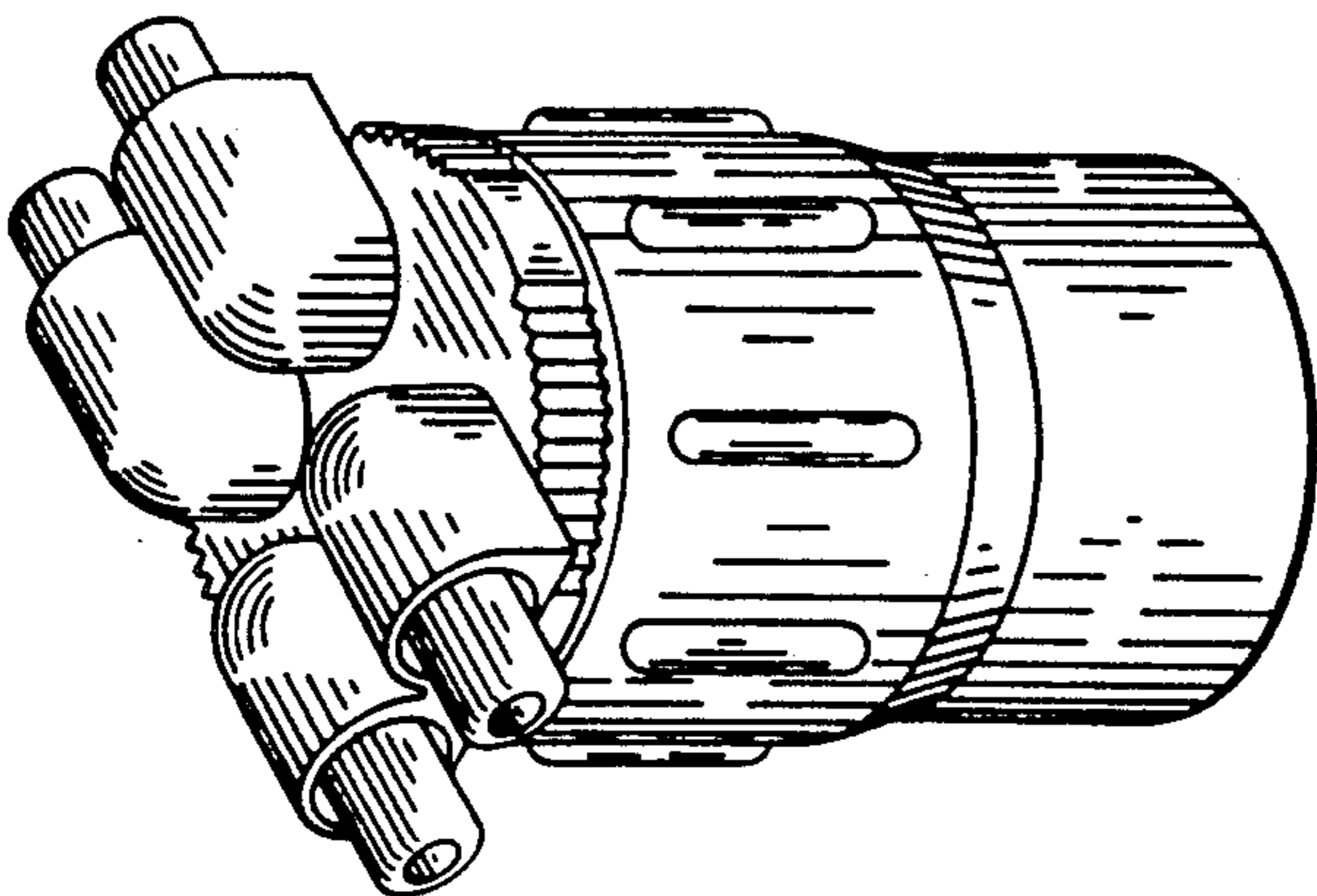


FIG. 1

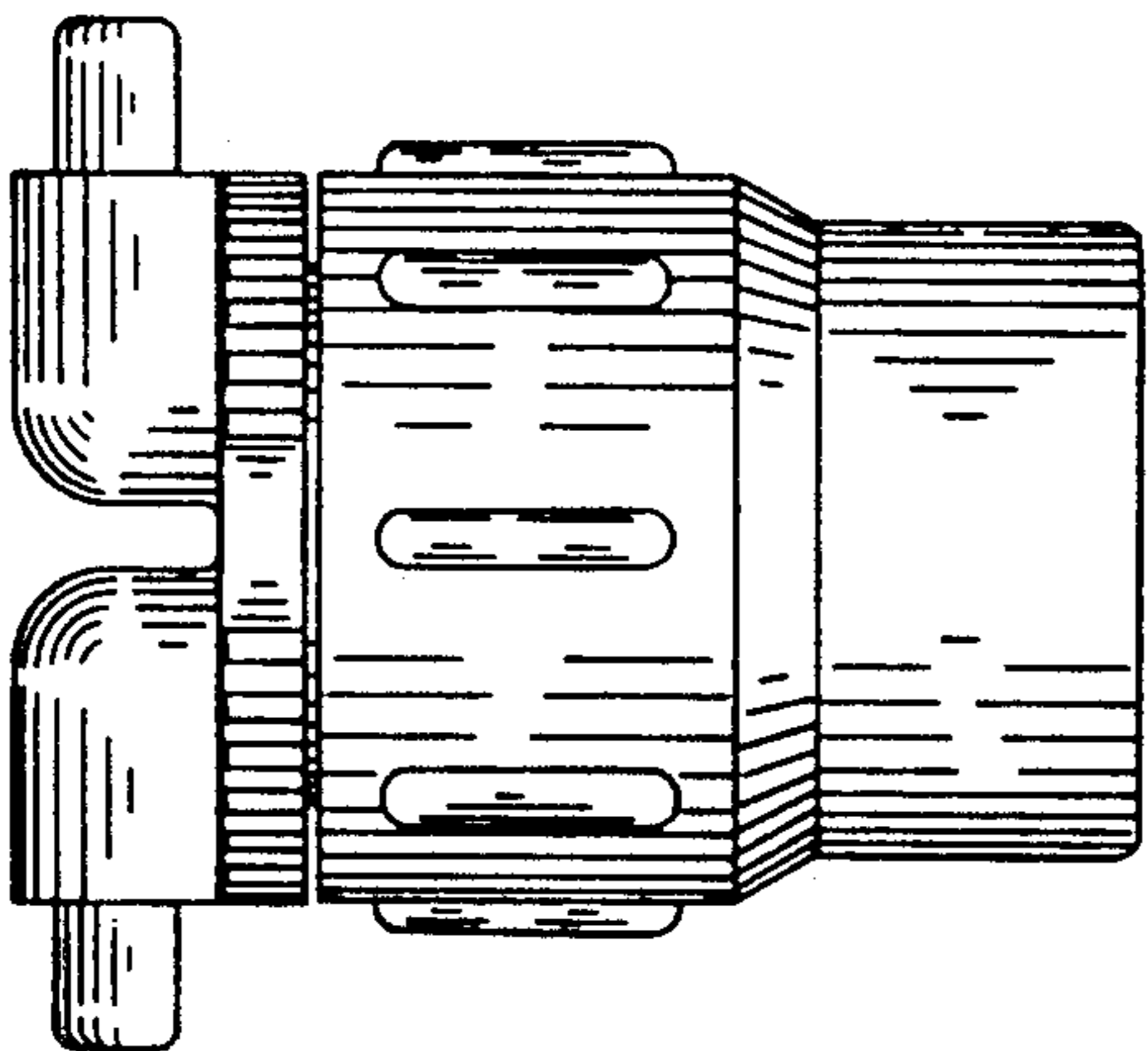


FIG. 2

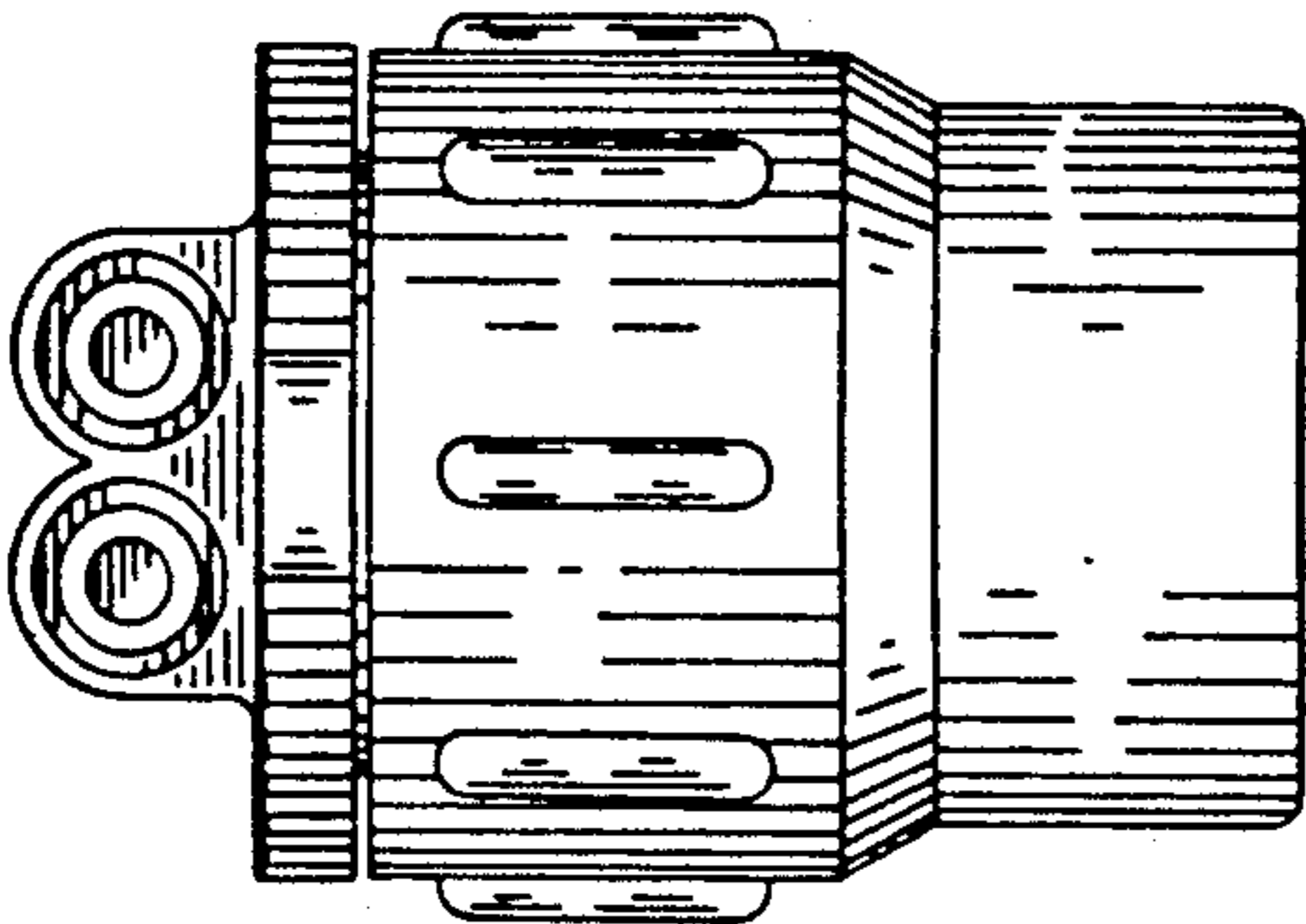


FIG. 3

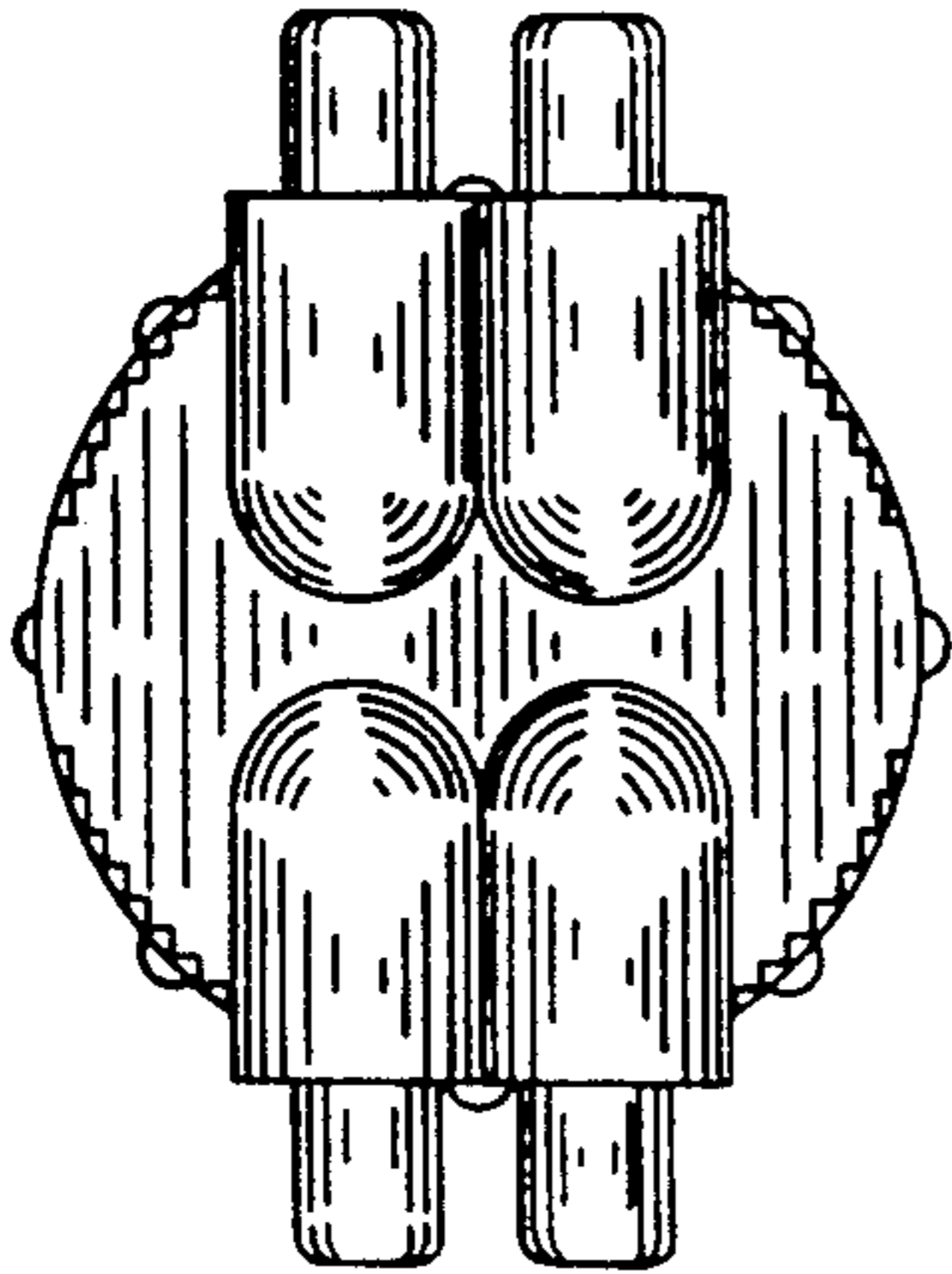


FIG. 4

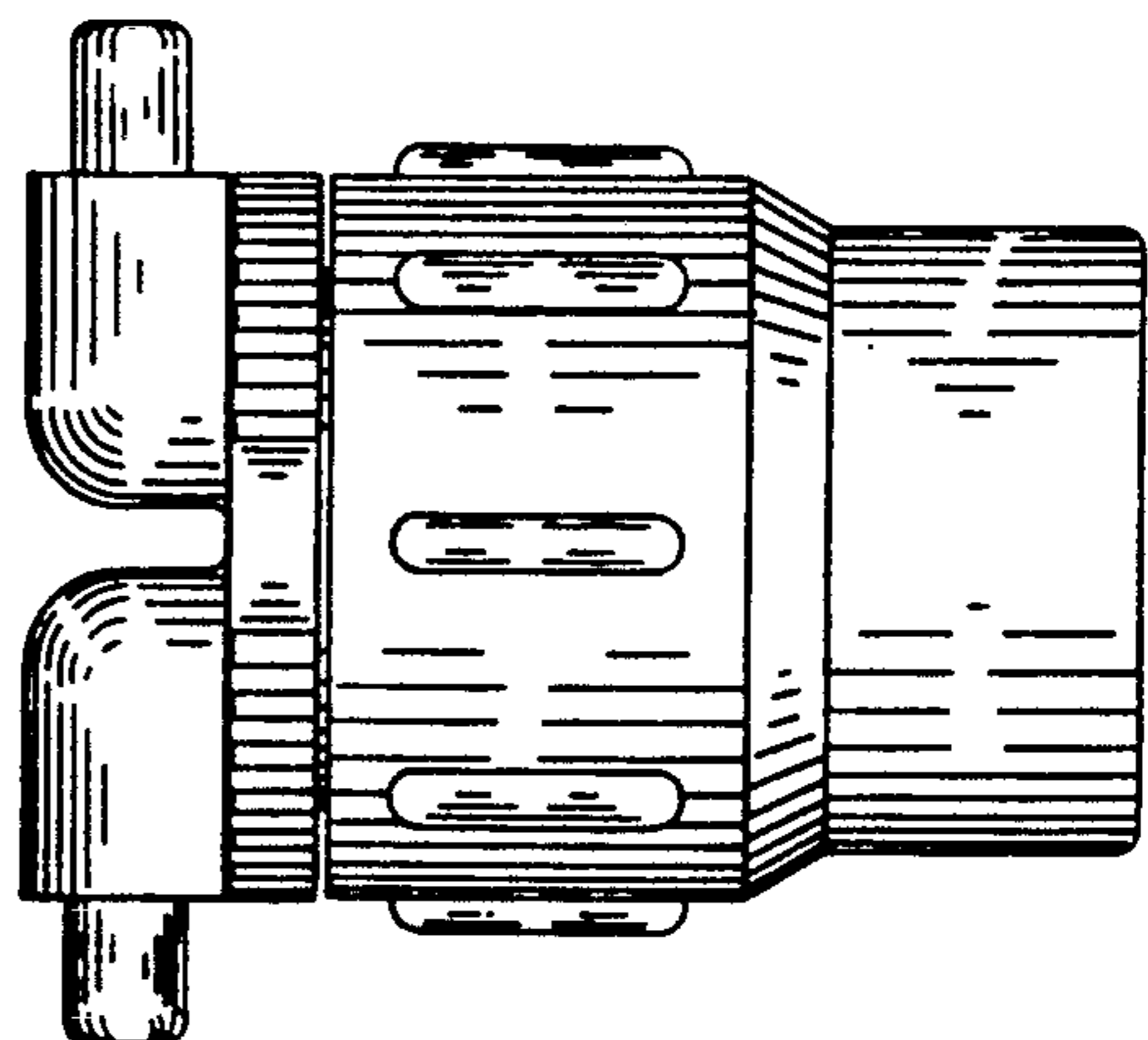


FIG. 5

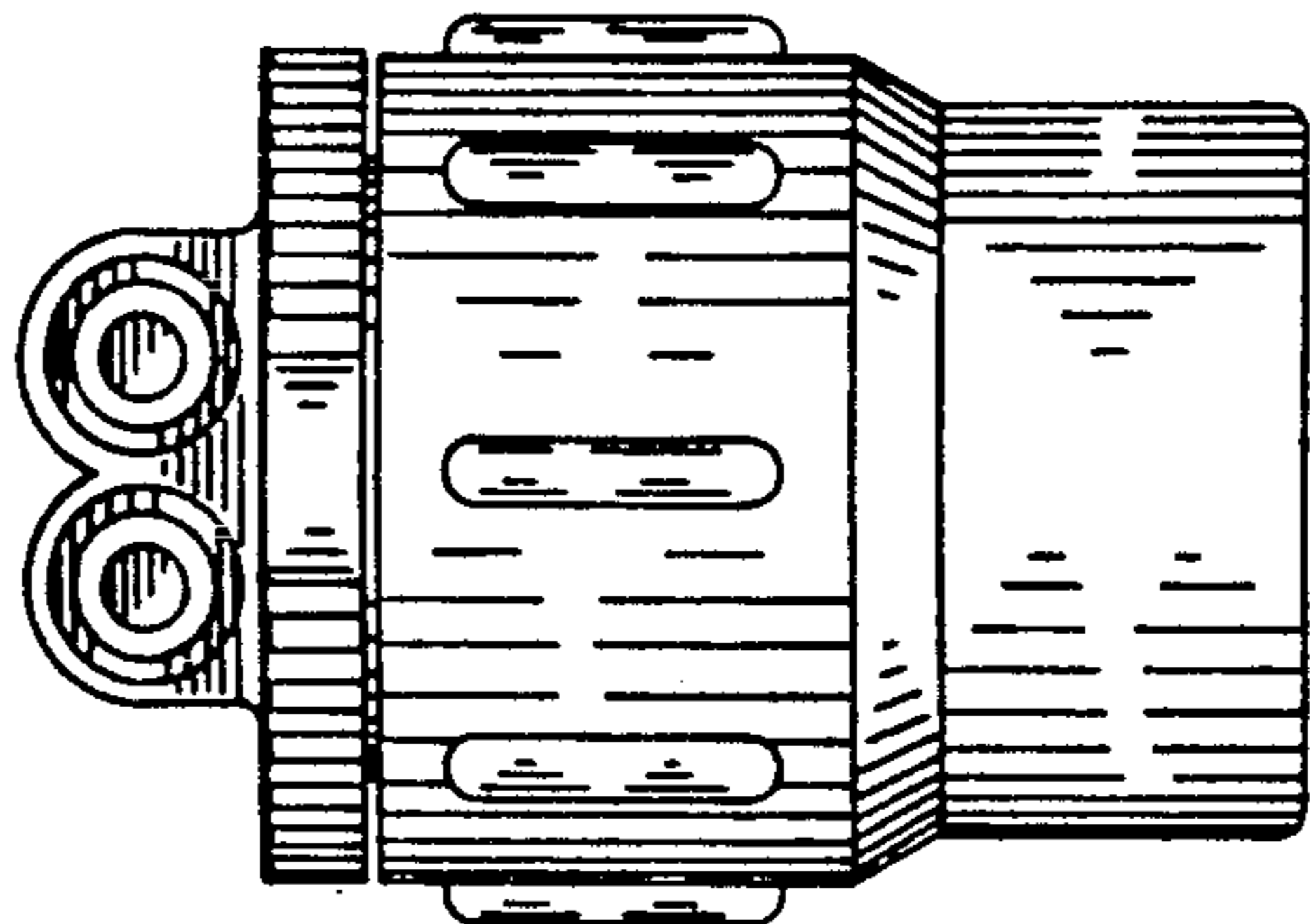


FIG. 6

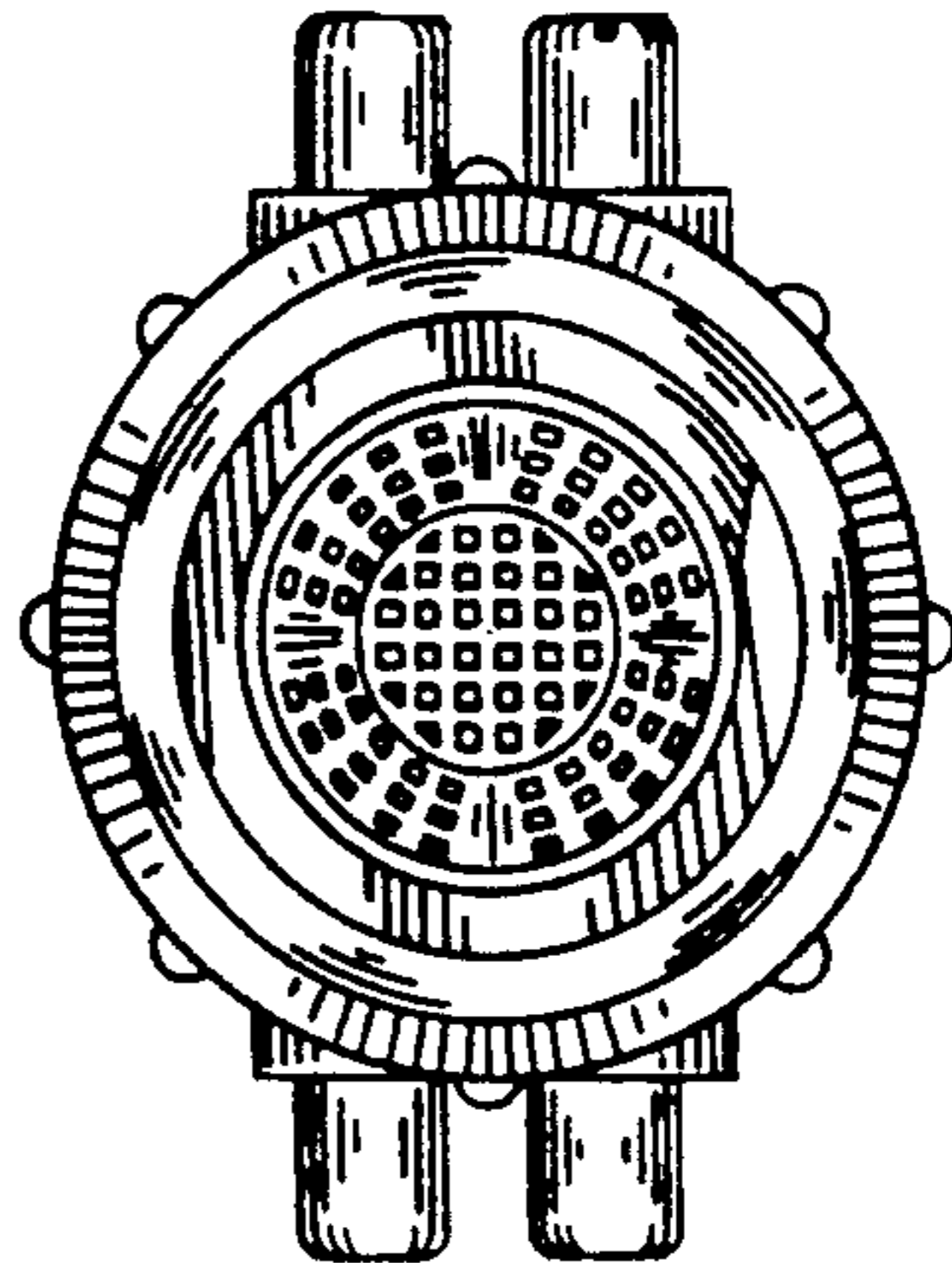


FIG. 7