



US00D325326S

United States Patent [19]

[11] Patent Number: **Des. 325,326**

Parven

[45] Date of Patent: **** Apr. 14, 1992**

[54] **BAGEL AND BREAD SLICING KNIFE**

D. 175,720 10/1955 Gerson D7/696
1,713,972 5/1929 Lufkin D8/96 X

[76] Inventor: **Marcia J. Parven**, 995 Timberlake,
Bloomfield Hills, Mich. 48013

Primary Examiner—Winifred E. Herrmann
Attorney, Agent, or Firm—Weintraub, DuRoss & Brady

[**] Term: **14 Years**

[57] **CLAIM**

[21] Appl. No.: **273,501**

The ornamental design for a bagel and bread slicing knife, as shown and described.

[22] Filed: **Nov. 21, 1988**

[52] U.S. Cl. **D7/650; D7/696**

DESCRIPTION

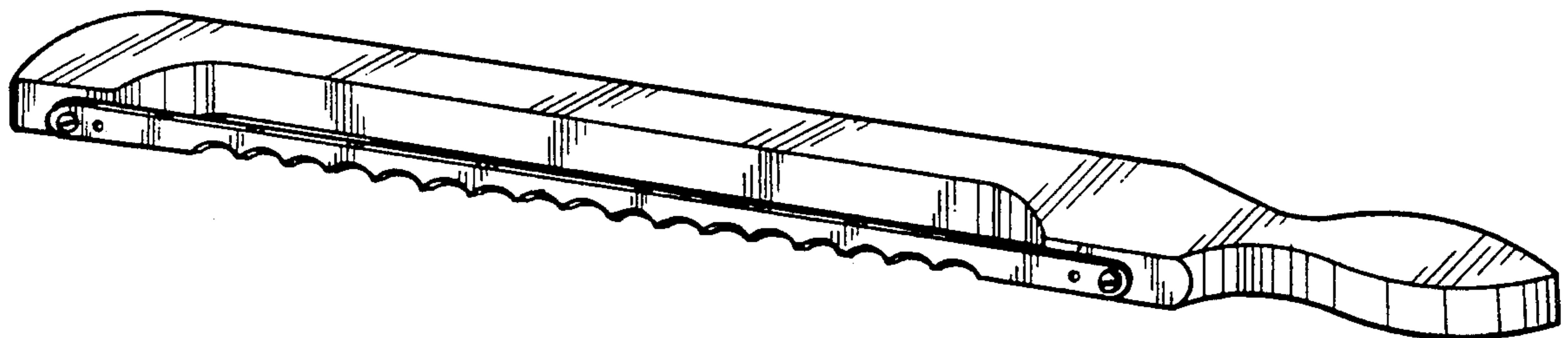
[58] Field of Search **D7/650, 652, 651, 696,
D7/648; D8/9, 96, 97, 98**

FIG. 1 is a top, front perspective view of a bagel and bread slicing knife showing my new design;
FIG. 2 is a top plan view thereof;
FIG. 3 is a front elevational view thereof;
FIG. 4 is a left end elevational view thereof;
FIG. 5 is a right end elevational view thereof;
FIG. 6 is a rear elevational view thereof; and,
FIG. 7 is a bottom plan view thereof.

[56] **References Cited**

U.S. PATENT DOCUMENTS

D. 49,295 7/1916 Bowman D7/650
D. 136,182 8/1943 Oliver D7/650
D. 174,918 6/1955 Oetinger D7/648



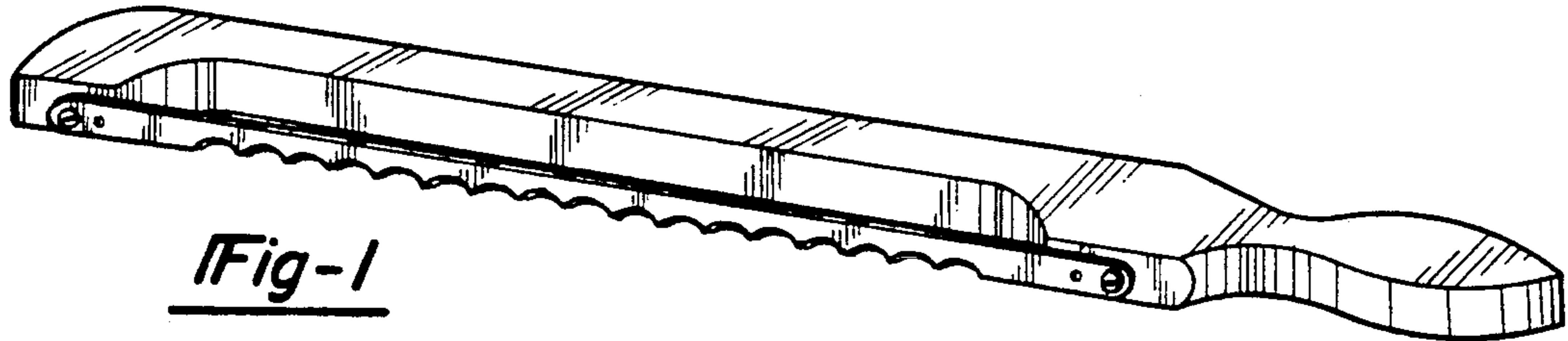


Fig-1

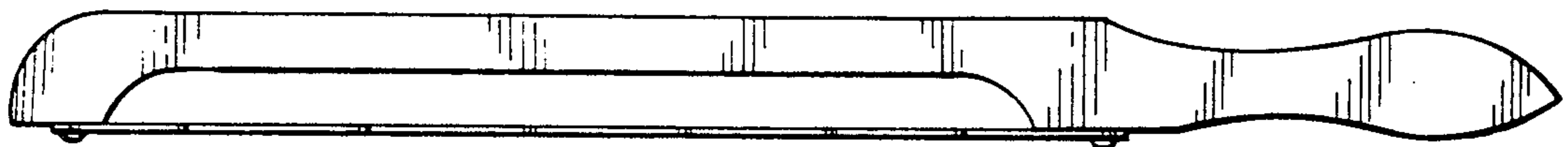


Fig-2

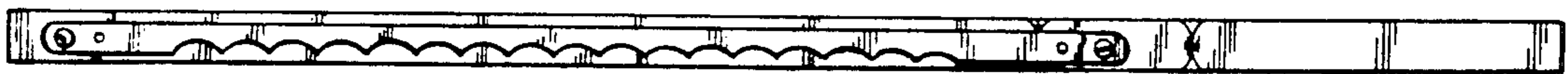


Fig-3



Fig-4



Fig-5



Fig-6

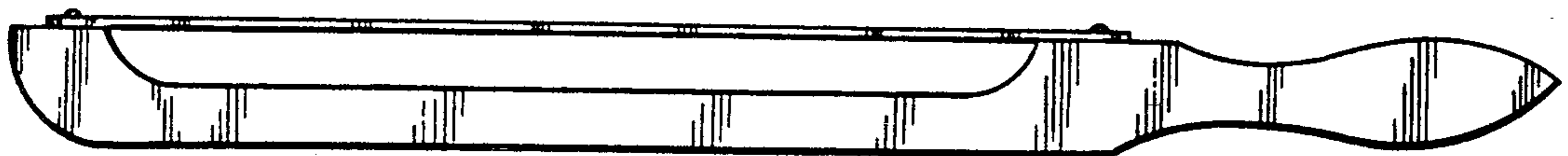


Fig-7