



US00D325324S

United States Patent [19]

[11] Patent Number: **Des. 325,324**

Kahl

[45] Date of Patent: **** Apr. 14, 1992**

[54] **PORTABLE ICE CHEST**

[56] **References Cited
PUBLICATIONS**

[75] Inventor: **W. Henry Kahl, Wooster, Ohio**

Bell Catalog, 1981, p. 341, Cooler J.

[73] Assignee: **Rubbermaid Incorporated, Wooster, Ohio**

Primary Examiner—Terry A. Pfeffer
Attorney, Agent, or Firm—Richard B. O'Planick

[**] Term: **14 Years**

[57] **CLAIM**

The ornamental design for a portable ice chest, as shown and described.

[21] Appl. No.: **385,167**

DESCRIPTION

[22] Filed: **Jul. 25, 1989**

FIG. 1 is a front perspective view of a portable ice chest, showing my new design;

[52] U.S. Cl. **D7/605**

FIG. 2 is a front elevational view thereof;

[58] Field of Search **D7/605-608;**

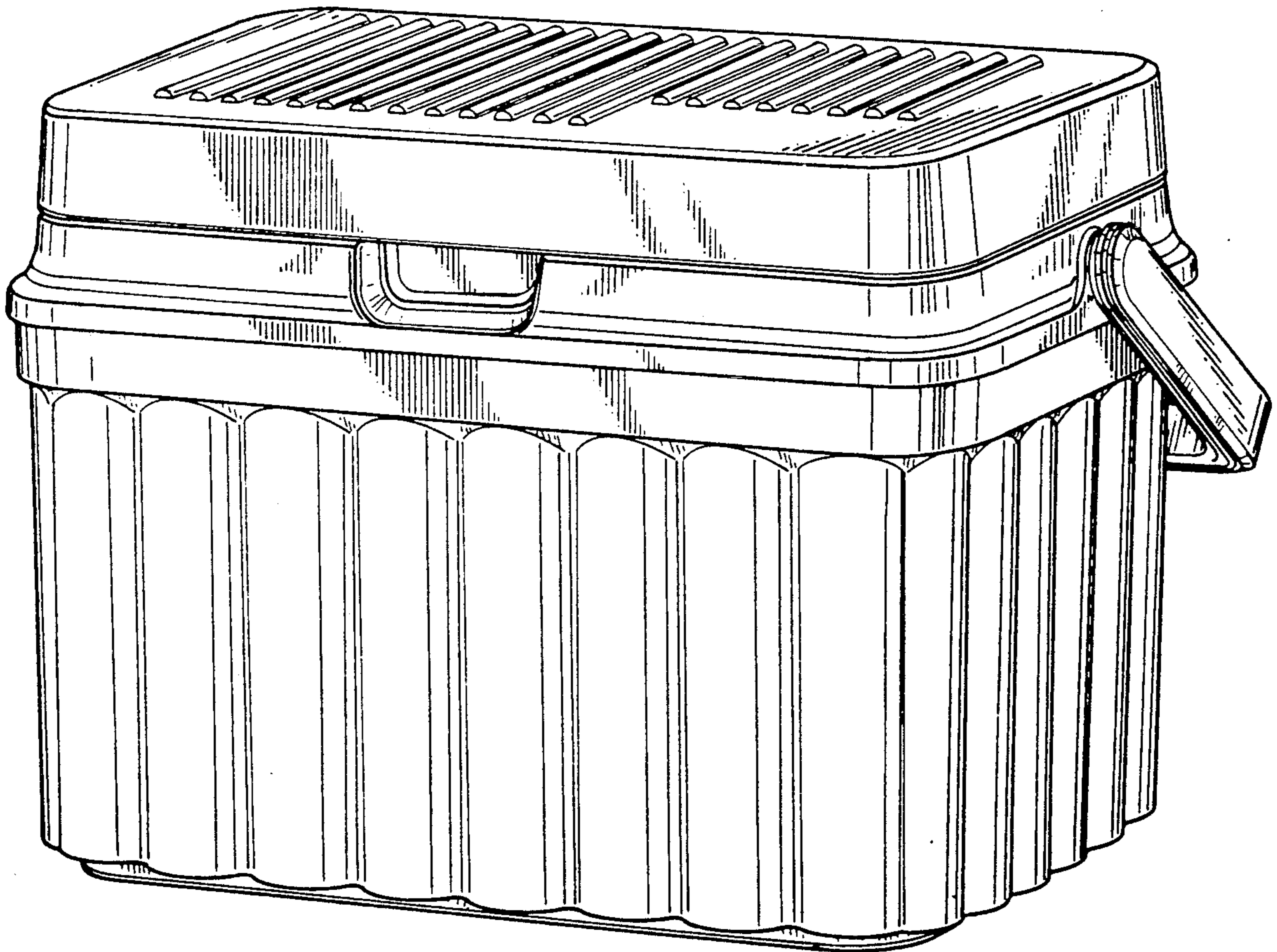
FIG. 3 is a rear elevational view thereof;

**D3/30.1; 62/457.1, 457.7; 220/318, 902, 410;
206/541, 545, 549**

FIG. 4 is a top plan view thereof;

FIG. 5 is a bottom plan view thereof; and,

FIG. 6 is a side elevational view thereof; the opposite side being a mirror image.



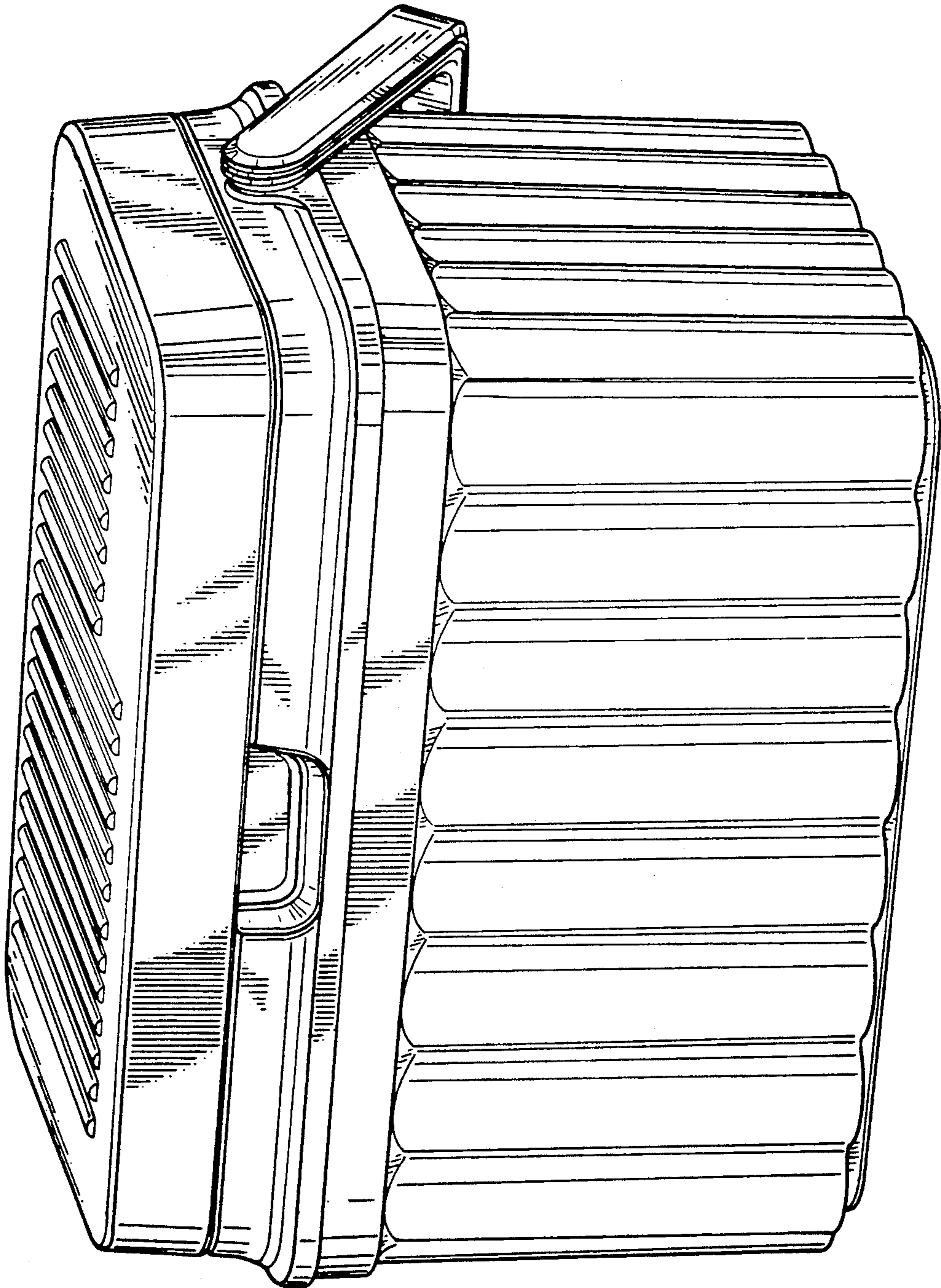


FIG. 1

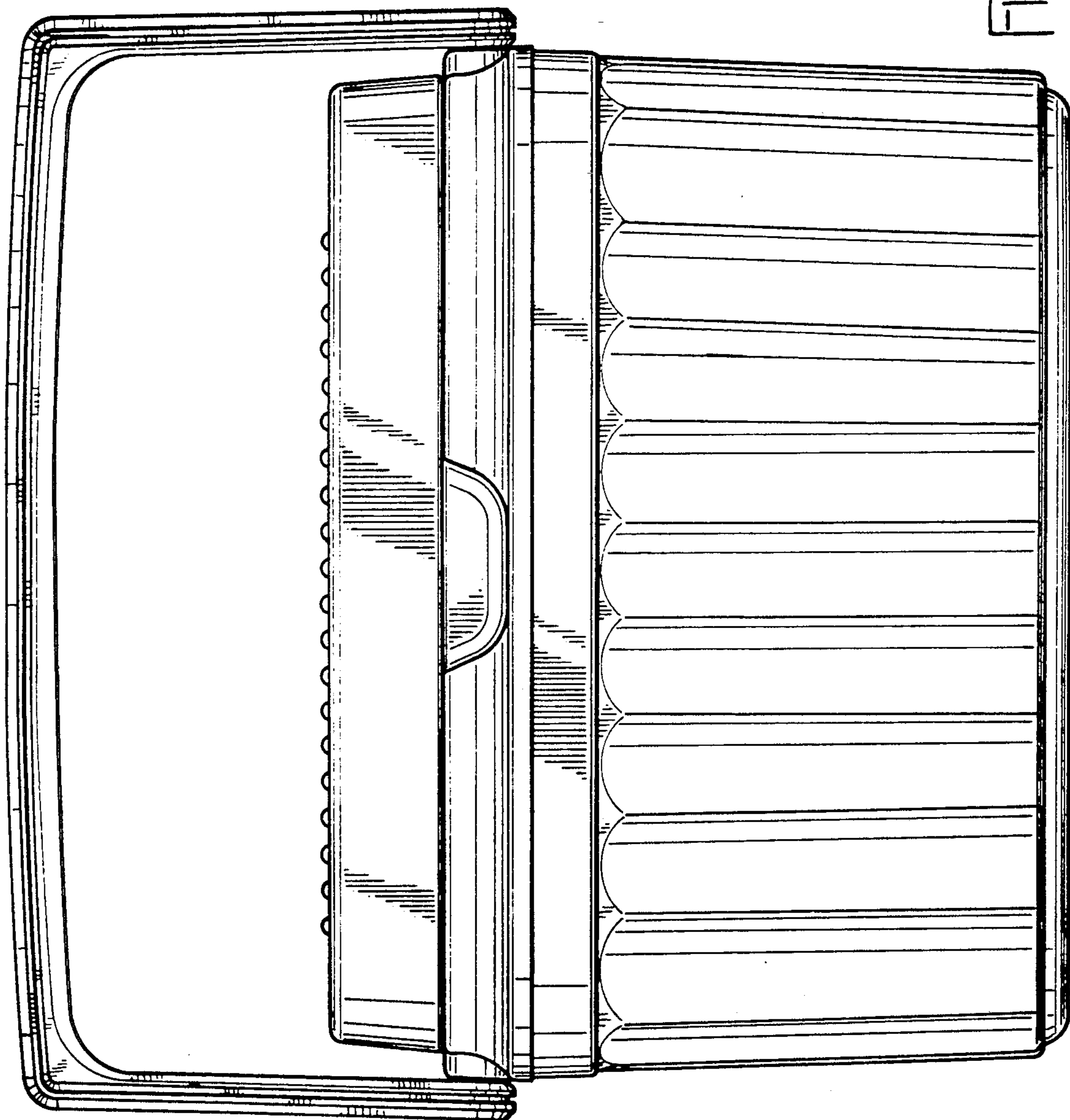


FIG. 2

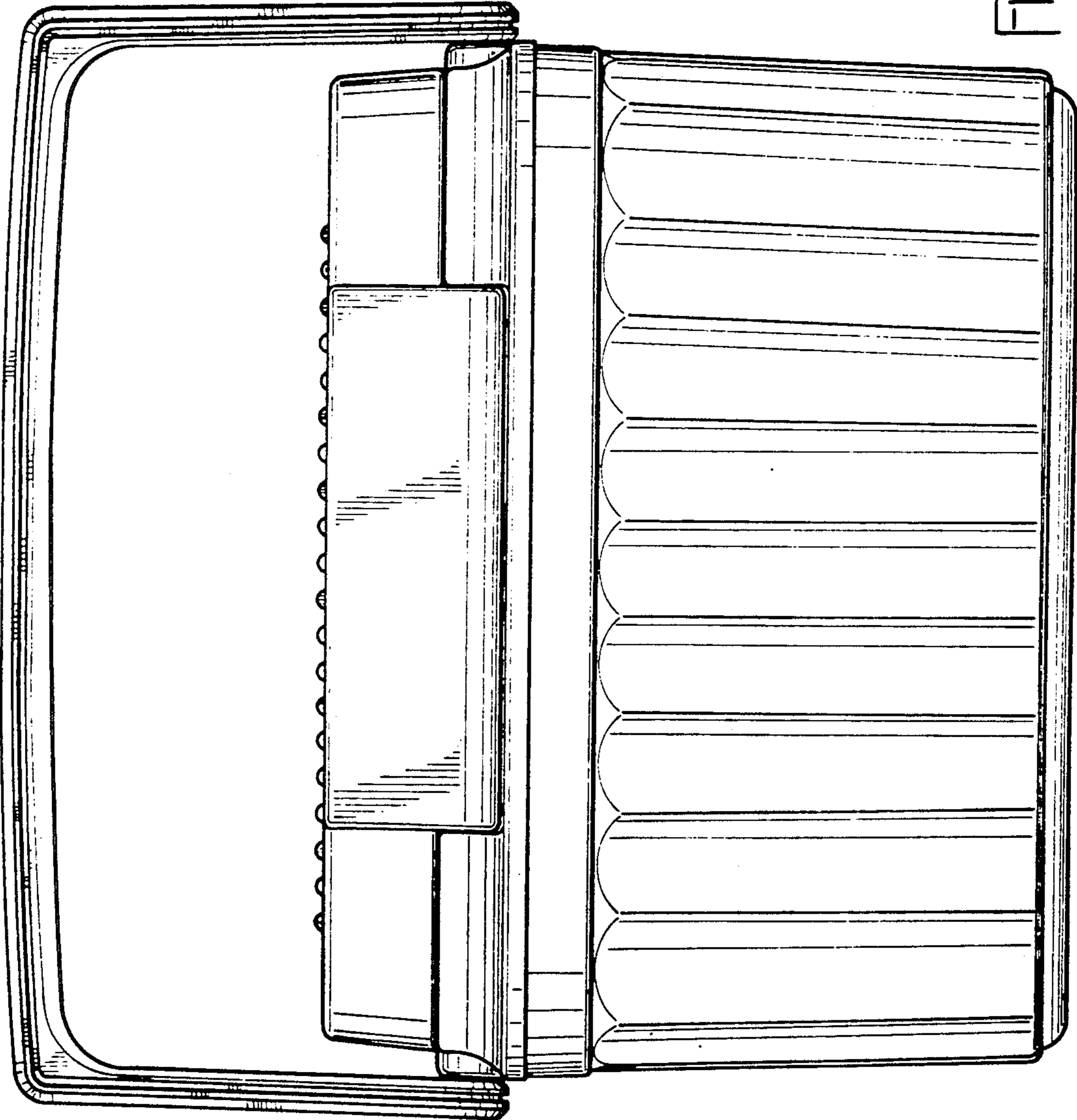


FIG. 3

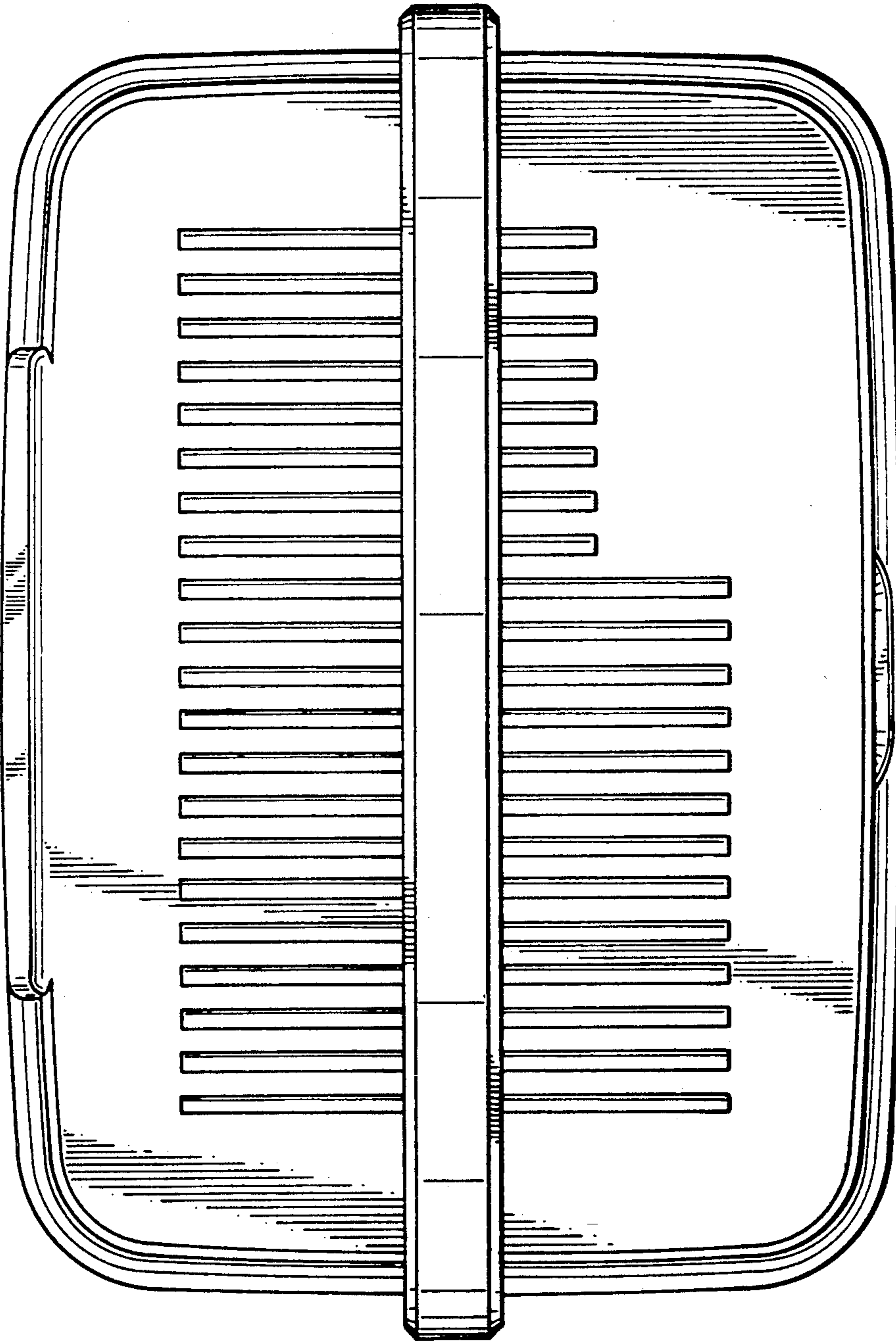


FIG. 4

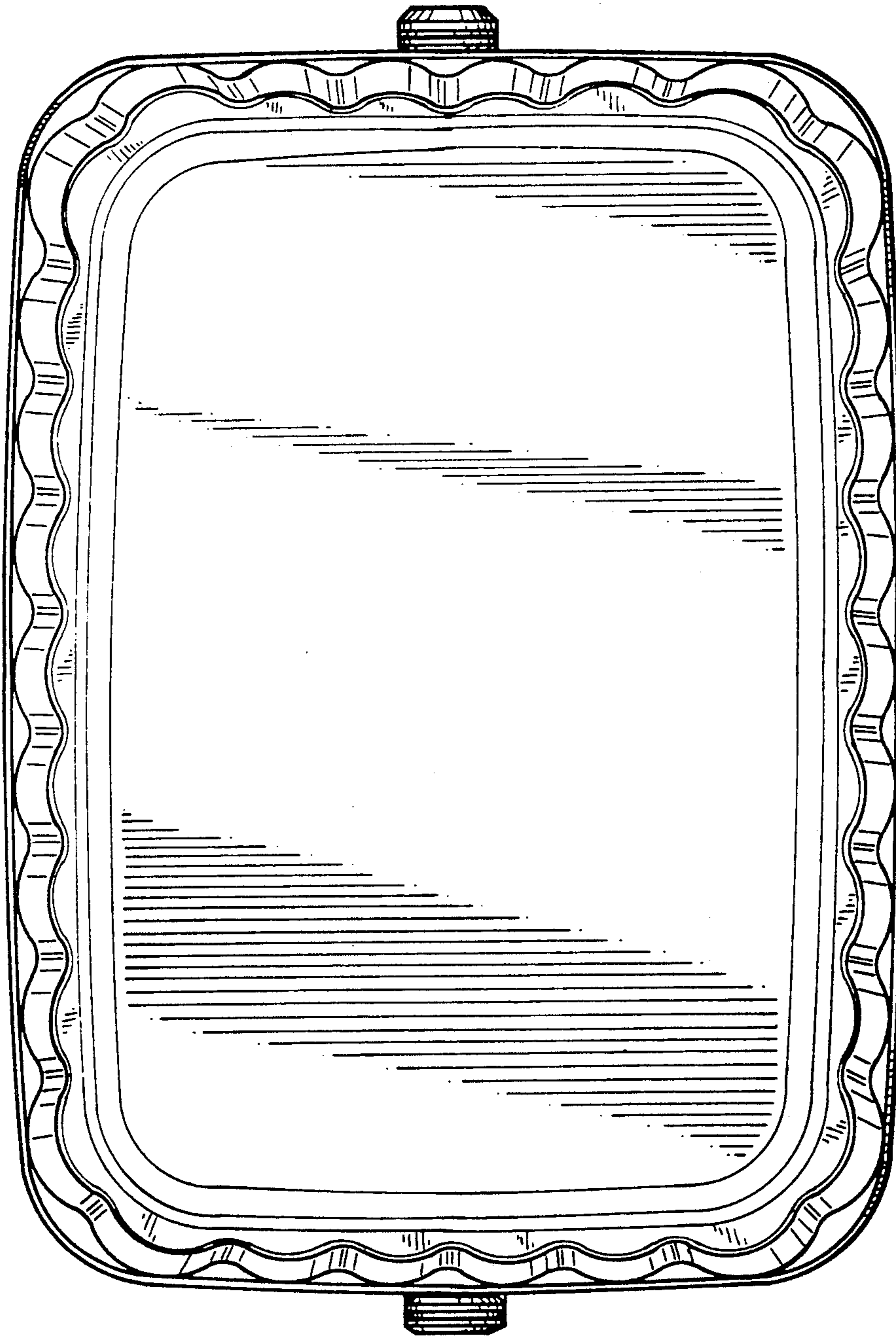


FIG. 5

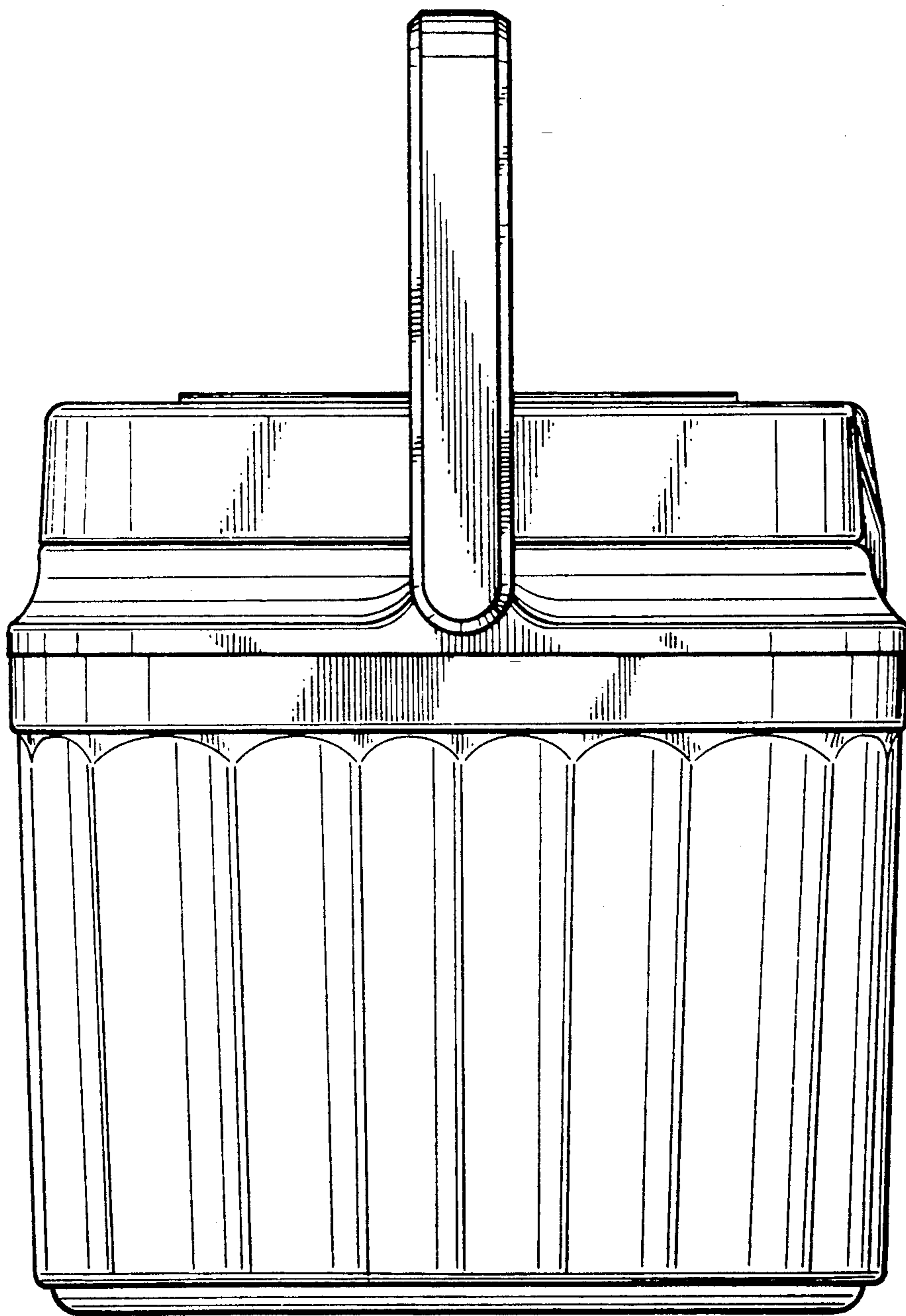


FIG. 6