



US00D325322S

# United States Patent [19]

[11] Patent Number: **Des. 325,322**

Maass

[45] Date of Patent: **\*\* Apr. 14, 1992**

[54] **FOOD PROCESSOR**

D. 301,297 5/1989 Barrault ..... D7/378 X  
3,032,087 5/1962 Rodwick ..... D7/412 X

[75] Inventor: **Rudolf Maass**, Solingen, Fed. Rep. of Germany

**OTHER PUBLICATIONS**

*Evans*, Catalog 1980-1981, p. 338, Moulinex "La Machine", top right item #3 and top-second from left.

[73] Assignee: **Robert Krups Stiftung & Co. KG**, Solingen, Fed. Rep. of Germany

*Primary Examiner*—Winfred E. Herrmann  
*Attorney, Agent, or Firm*—Peter K. Kontler

[\*\*] Term: **14 Years**

[21] Appl. No.: **275,792**

[57] **CLAIM**

[22] Filed: **Nov. 22, 1988**

The ornamental design for a food processor, as shown and described.

[30] **Foreign Application Priority Data**

**DESCRIPTION**

May 26, 1988 [DE] Fed. Rep. of Germany ... 5 MR 9860

[52] U.S. Cl. .... **D7/384**

FIG. 1 is a left side elevational view of a food processor showing my new design;

[58] Field of Search ..... D7/381, 383, 384, 386, D7/368, 372, 373, 376-378, 412-415, 665

FIG. 2 is a right side elevational view thereof;

[56] **References Cited**

**U.S. PATENT DOCUMENTS**

D. 259,992 7/1981 Kahlcke ..... D7/384  
D. 292,260 10/1987 Barrault ..... D7/384

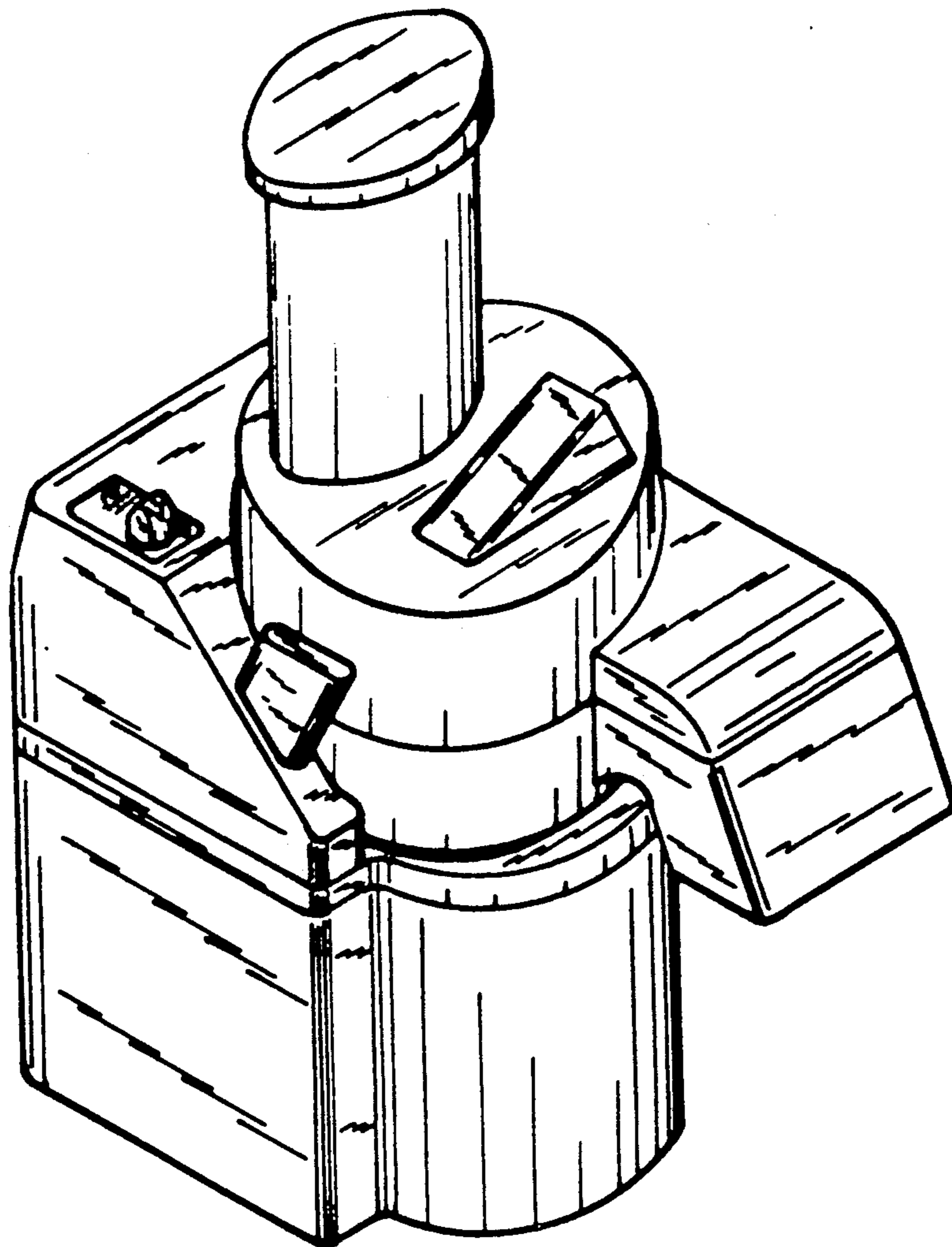
FIG. 3 is a front elevational view thereof;

FIG. 4 is a rear elevational view thereof;

FIG. 5 is a top plan view thereof;

FIG. 6 is a bottom plan view thereof; and,

FIG. 7 is a front perspective view thereof.



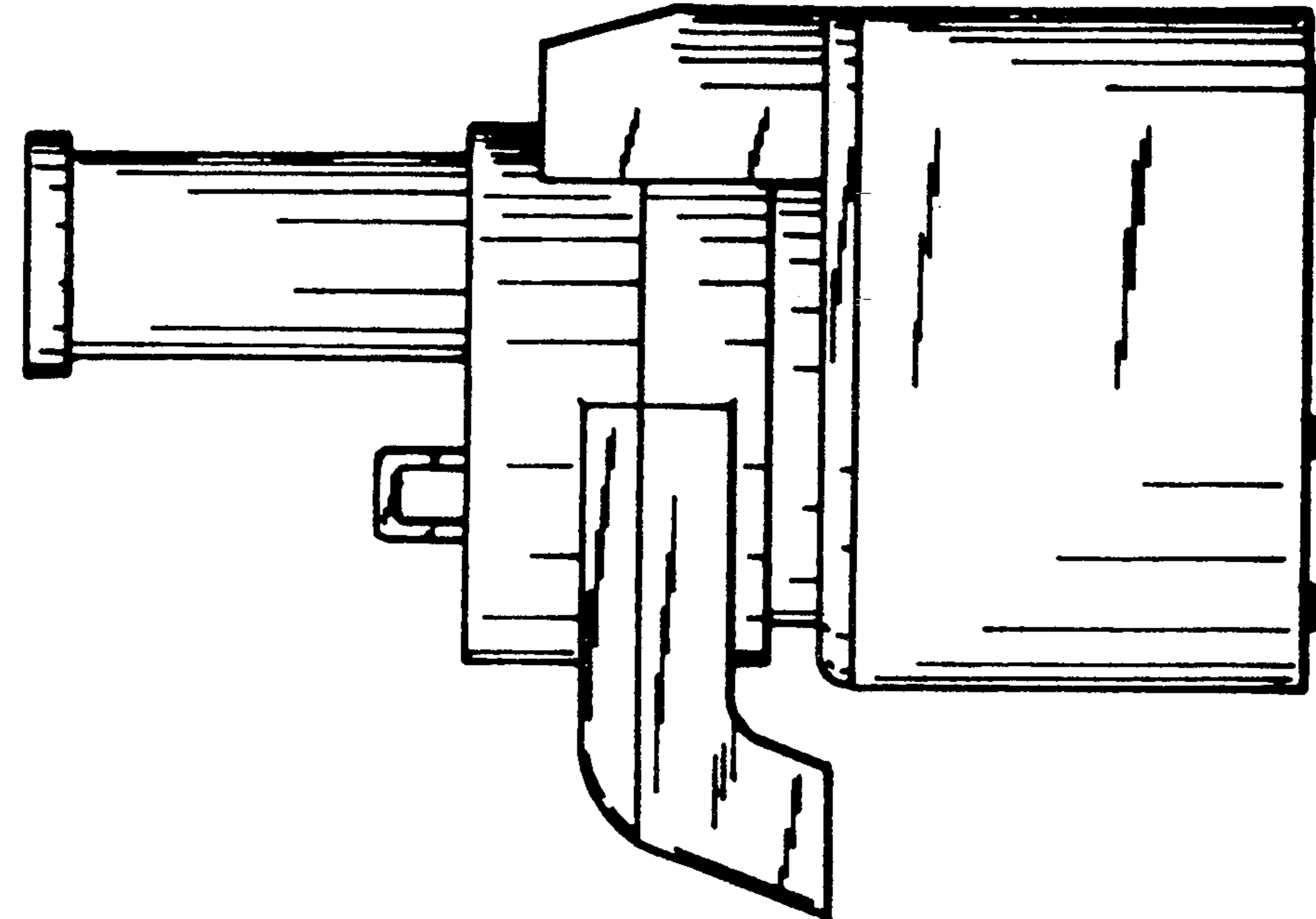


FIG. 1

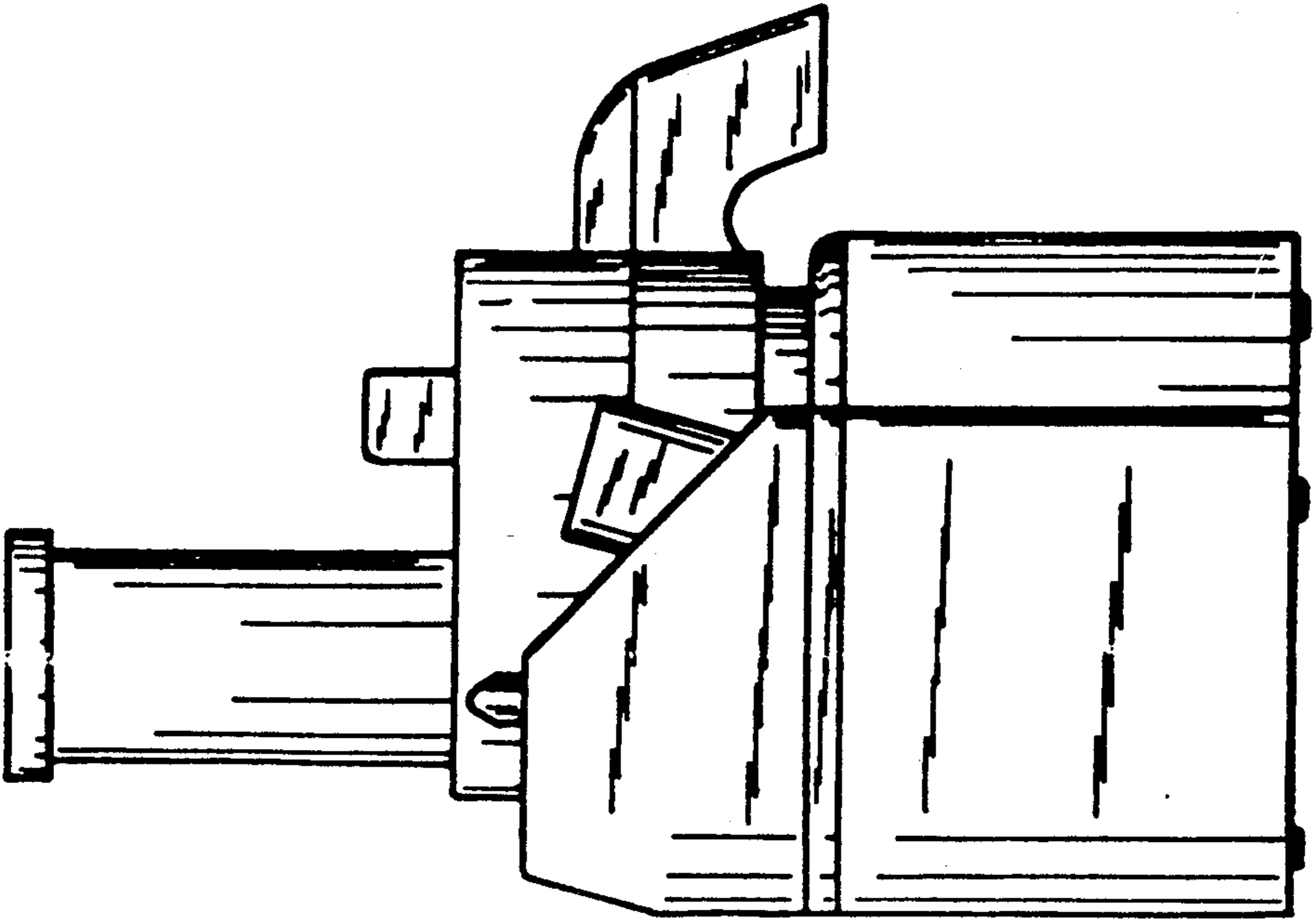


FIG. 2

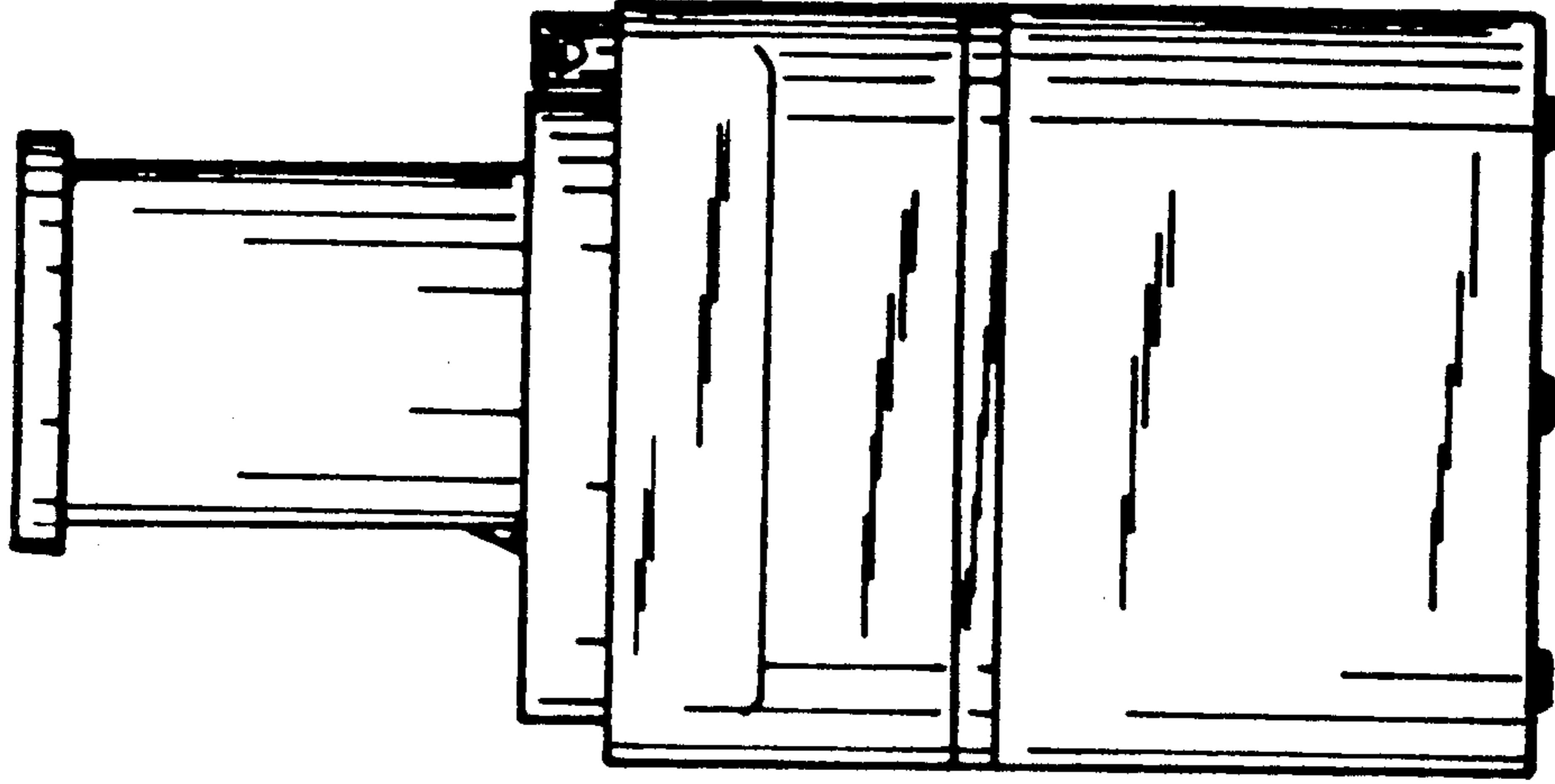


FIG. 4

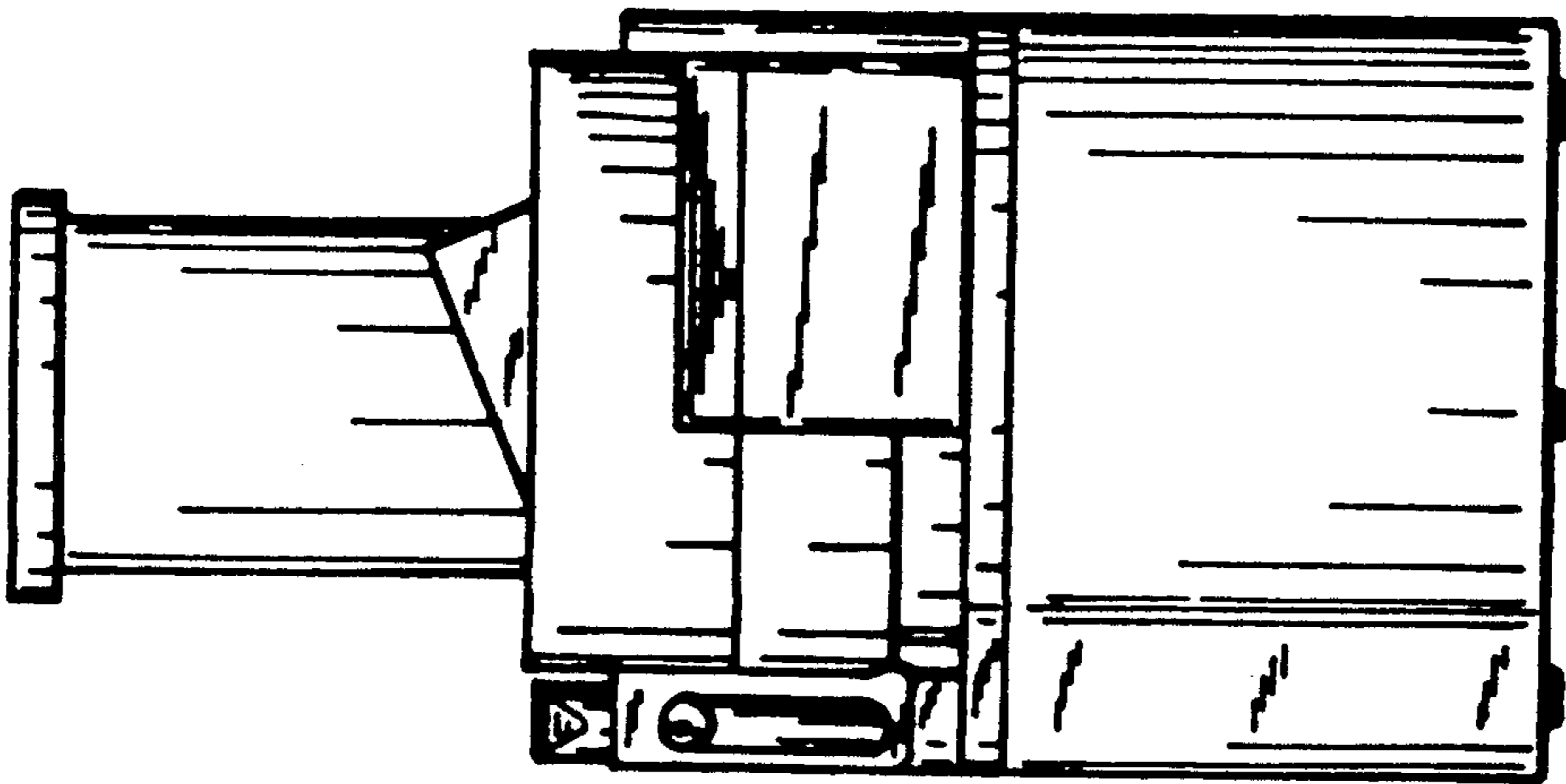


FIG. 3

FIG. 6

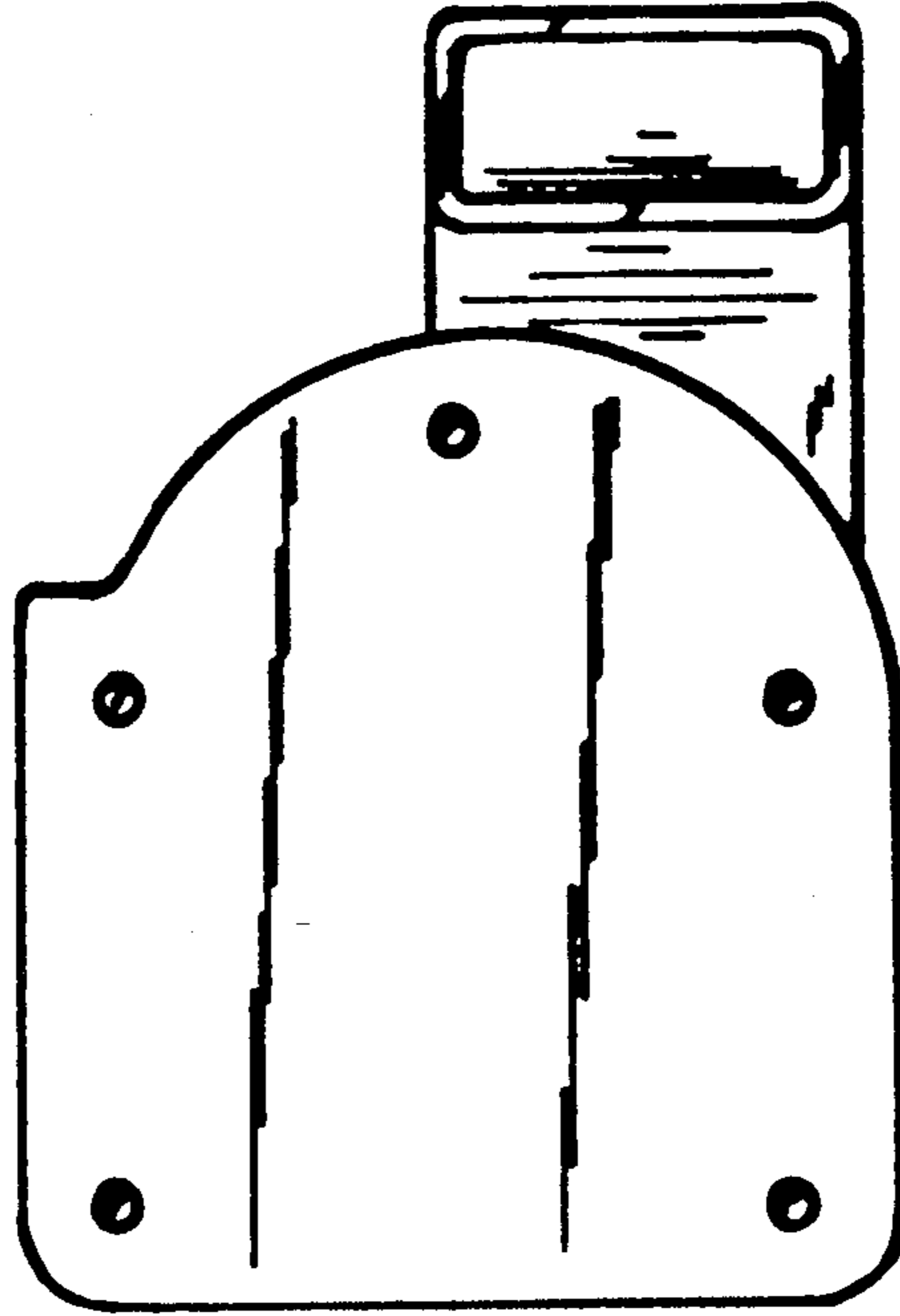
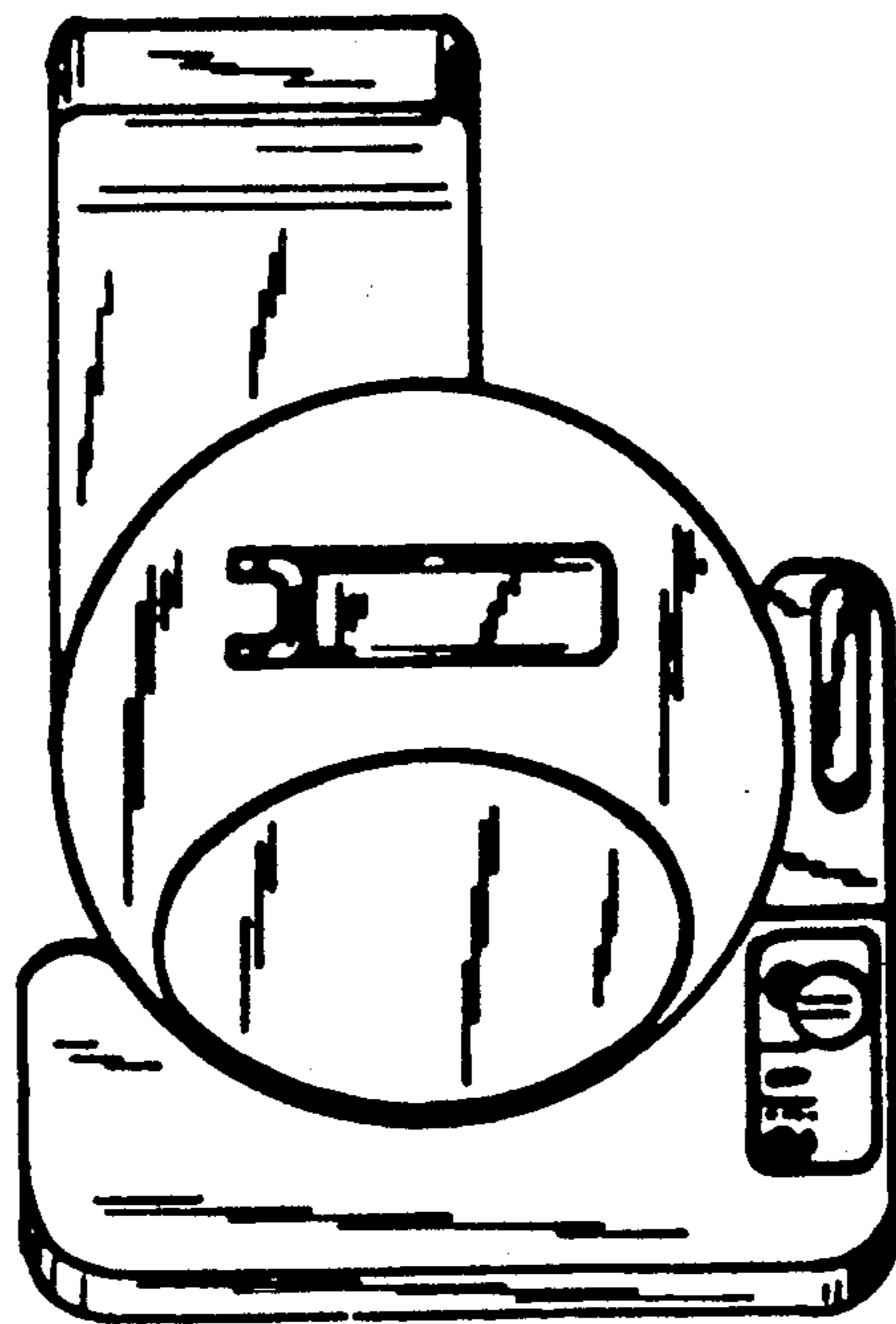


FIG. 5



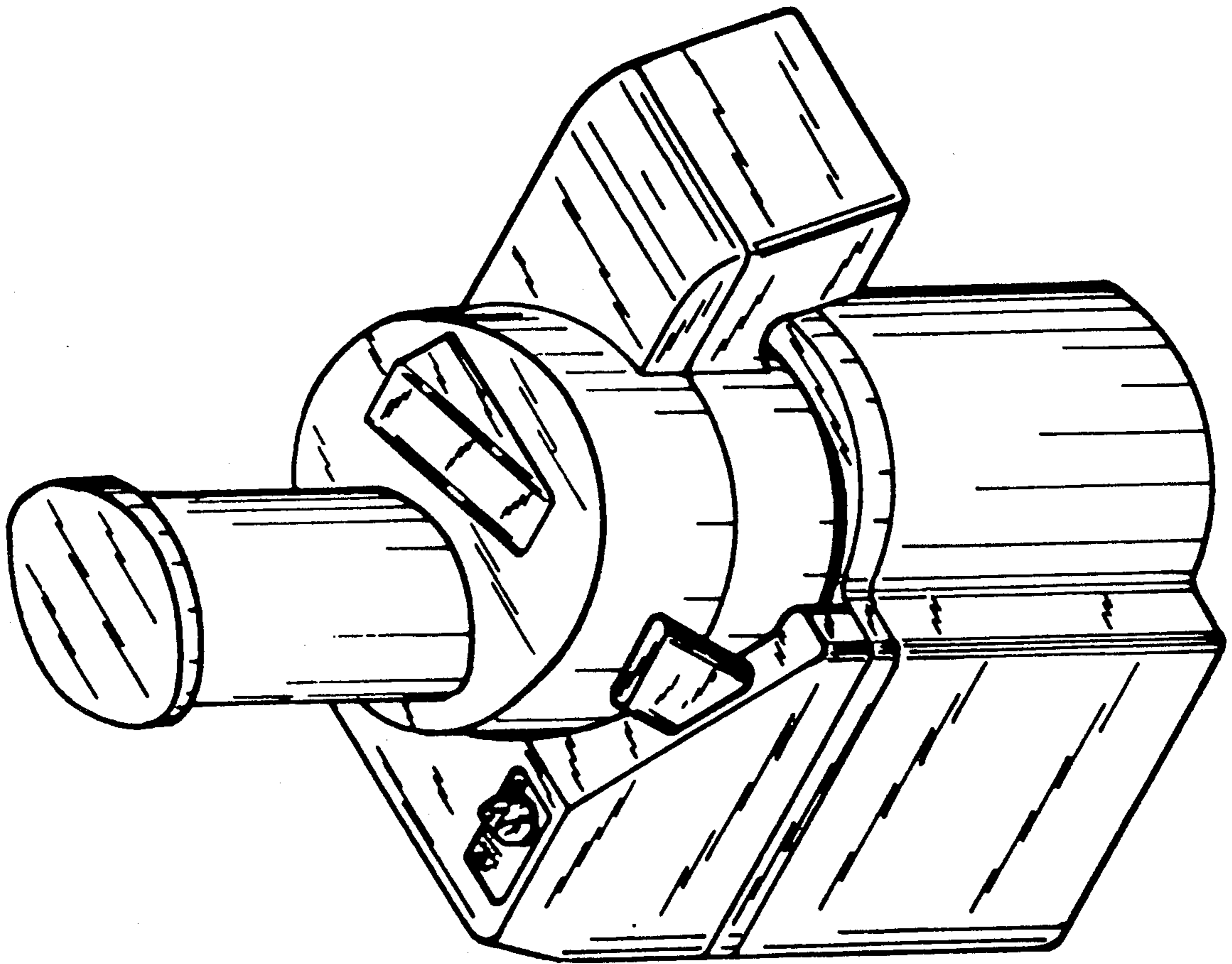


FIG. 7